

Single Roll Out Shelf Installed



Single Roll Out Shelf Extended



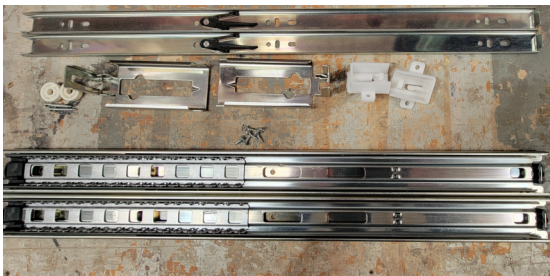
Roll Out Shelf Rear Sockets



Roll Out Shelf Spacer



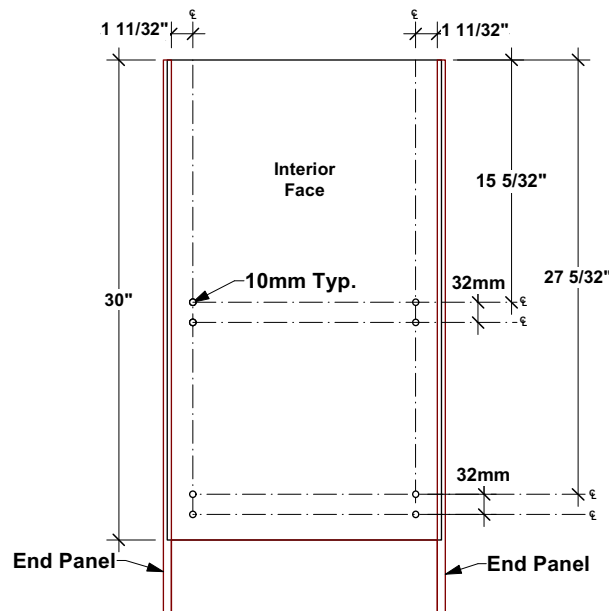
Roll Out Shelf Hardware



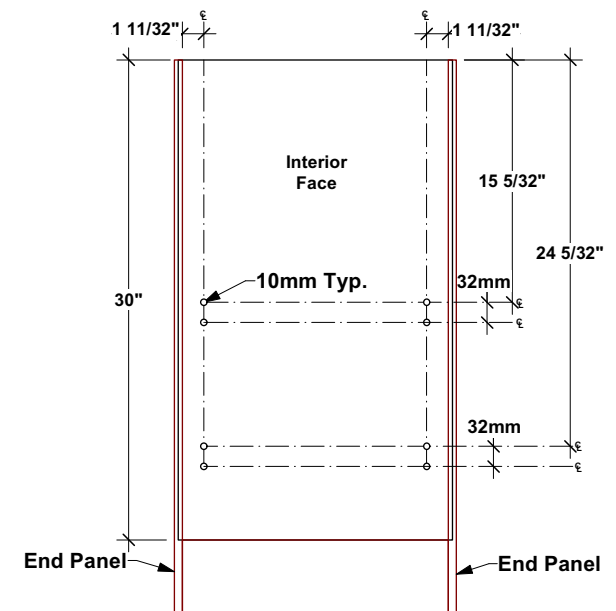
Roll Out Shelf Kit (ROS Guide Installed)



34-1/2" Base Back Boring



32-1/2" HC Base Back Boring



Date	Revision	By:
6/6/24	Updated to vertical boring Locations	JRS

Description	Drawn By:	Revised By:	Checked By:	Scale:
	J.Sleutel		J.Sleutel	1 1/2":1
Material:	Date:	Date:	Date:	Tolerance:
	2/14/22	6/6/24		± .5mm (.02") UNO
	Product Family:		Drawing #:	
	Base Cabinets with Roll out Shelves			EB-TS0028



Information contained within these lines and on this drawing are sole property of leedo building solutions and shall not be copied or duplicated without expressed written permission.

Information contained within these lines and on this drawing are sole property of leedo building solutions and shall not be copied or duplicated without expressed written permission.