

STANDARD EURO FRAMELESS CONSTRUCTION AND OPTIONS

1 END PANELS — 5/8" thick (nominal) wood-based composite panel with matching laminate exterior surfaces. Construction holes of 8mm to receive wood dowels of horizontal components. End panel is dadoed to receive the back panel.

2 TOP/BOTTOM PANELS — 5/8" thick (nominal) wood-based composite panel attached to the end panels with wood dowels and glue. Base bottom also rests over the toe kick and rear stretcher for better support. The tops and bottoms dadoed to receive back panel.

3 HANG RAILS — 5/8" thick (nominal) wood-based composite panel. Hang rails are set underneath the top panel and above the bottom panel, always concealed behind the back panel. Our hang rails utilize wood dowel and glue construction. Cabinets 30" or wider feature a pocket screw at the center across the top and bottom for better strength.

4 BACK PANEL — 3mm thick hardboard laminated on one side in white, or matching laminate exterior surface. Fully captured and stapled to end panels, bottom and top or upper stretcher for bases.

5 SHELVES — 3/4" thick (nominal) wood-based composite panel with white laminate on both surfaces and matching edgeband on the facing edge. Wall cabinets feature full depth adjustable shelves. The Base cabinet features a half depth shelf with a frontal lock-in-place shelf clip. **Full Depth Shelf (FDS) Upgrade Option:** available on select base cabinets.

6 TOE KICK — **Standard:** 5/8" thick (nominal) unfinished wood-based composite panel. Toe kick is 4" high. **No Toe Kick (NTK) Upgrade Option:** available on select vanity cabinets

7 BASE STRETCHERS — 5/8" thick (nominal) unfinished wood-based composite panel, 3-3/4" width, running from left to right on the front and back at the top of the base cabinet. Front stretcher features matching exterior edgebanding on the facing side.

8 STANDARD DRAWER CONSTRUCTION — 5/8" thick (nominal) particleboard sides and end with 3mm captured drawer bottom. Drawer parts laminated white. Partial extension 100lb rated drawer guide is standard. 1/2" thick plywood with 3mm thick plywood bottom.

Upgrade option for Standard Drawer Box: Full extension 100lb rated undermount guides with integrated soft-close feature.

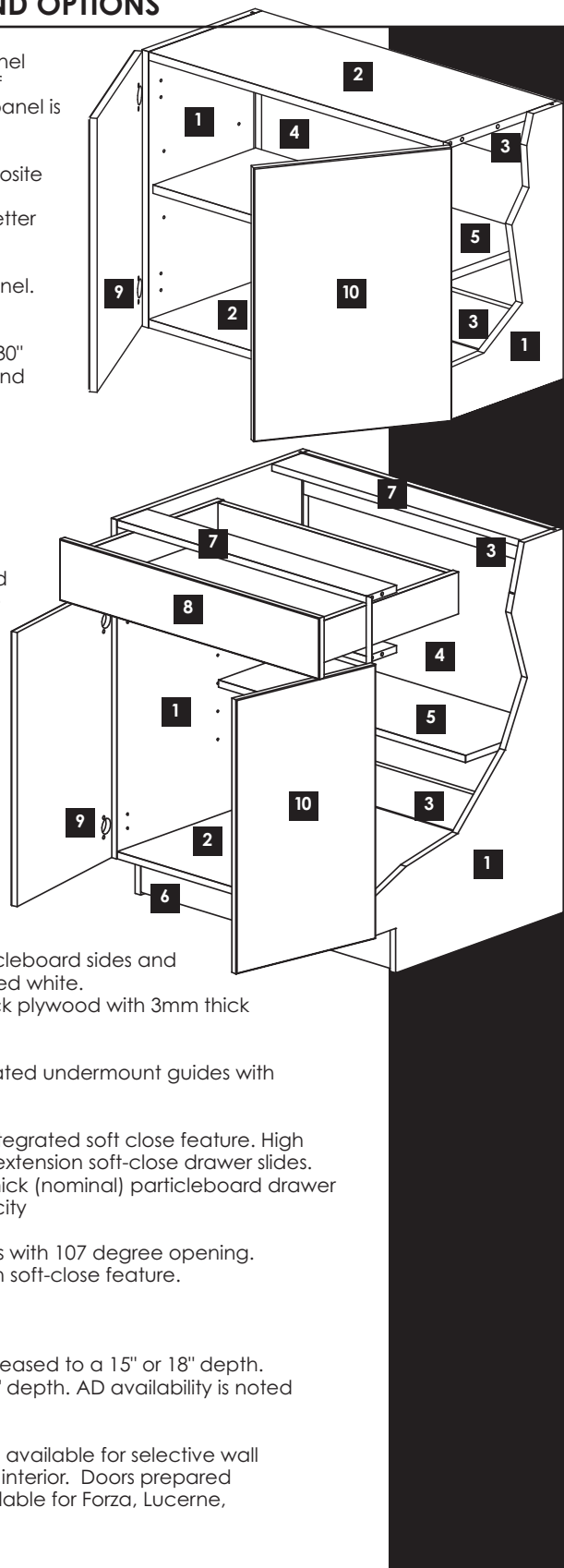
Double Wall Drawer System: Double-wall drawer system with integrated soft close feature. High quality epoxy coated steel construction with synchronized full extension soft-close drawer slides. Integrated height and width adjustments. Drawers have 5/8" thick (nominal) particleboard drawer bottoms and backs with a rating of 88 lbs dynamic load capacity

9 HINGE — **Standard:** 6-way adjustable concealed clip on hinges with 107 degree opening. **Upgrade Option:** 6-way adjustable concealed steel hinges with soft-close feature.

10 DOORS — Please refer to individual door style specifications

ALTERED DEPTH (AD) OPTION — Select wall cabinets can be increased to a 15" or 18" depth. Select base cabinets can be decreased to a 15", 18", 21" or 22" depth. AD availability is noted by cabinet within the Product Specifications Guide.

ROUTE FOR GLASS DOORS (RFG) — Route for glass door option is available for selective wall cabinets. This option will automatically come with a matching interior. Doors prepared for glass do not include glass or glass fasteners. RFG is not available for Forza, Lucerne, Lugano or Parc door styles.



PLYWOOD EURO FRAMELESS CONSTRUCTION AND OPTIONS

- 1 END PANELS** — 5/8" thick (nominal) plywood with matching laminate exterior surfaces. Construction holes of 8mm to receive wood dowels of horizontal components. Endpanel is dadoed to receive the back panel.
- 2 TOP/BOTTOM PANELS** — 5/8" thick (nominal) plywood attached to the end panels with wood dowels and glue. Base bottom also rests over the toe kick and rear stretcher for better support. The tops and bottoms are dadoed to receive back panel.
- 3 HANG RAILS** — 5/8" thick (nominal) plywood panel. Hang rails are set underneath the top panel and above the bottom panel, always concealed behind the back panel. Our hang rails utilize wood dowel and glue construction. Cabinets 30" or wider feature a pocket screw at the center across the top and bottom for better strength.

- 4 BACK PANEL** — 3mm thick plywood laminated on one side in white, or matching laminate exterior surface. Fully captured and stapled to the end panels, bottom and top or upper stretcher for bases.

- 5 SHELVES** — 3/4" thick (nominal) plywood panel with white laminate on both surfaces and matching edgeband on the facing edge. Wall cabinets feature full depth adjustable shelves. Base cabinets features a half depth shelf with a frontal lock-in-place shelf clip.

Full Depth Shelf (FDS) Upgrade Option: available on select base cabinets.

- 6 TOE KICK** — **Standard:** 5/8" thick (nominal) unfinished plywood. Toe kick is 4" high.

No Toe Kick (NTK) Upgrade Option: available on select vanity cabinets

- 7 BASE STRETCHERS** — 5/8" thick (nominal) plywood, 3-3/4" width, running from left to right on the front and back at the top of the base cabinet. Frontal stretcher features matching exterior edgebanding on the facing side.

- 8 DRAWER BOX** — 1/2" thick (nominal) plywood drawer sides and ends with 3mm thick plywood drawer bottom. Plywood drawer box is natural finish. Partial extension 100lb rated drawer guide is standard.

Upgrade option for Plywood Drawer Box: Full extension 100lb rated undermount guide with integrated soft-close feature.

Double Wall Drawer System: Double-wall drawer system with integrated soft close feature. High quality epoxy coated steel construction with synchronized full extension soft-close drawer slides. Integrated height and width adjustments. Drawers have 5/8" thick (nominal) plywood drawer bottoms and backs with a rating of 88 lbs dynamic load capacity.

- 9 HINGE** — **Standard:** 6-way adjustable concealed clip on hinges with 107 degree opening. **Upgrade Option:** 6-way adjustable concealed steel hinges with soft-close feature.

- 10 DOORS** — Please refer to individual door style specifications

ALTERED DEPTH (AD) OPTION — Select wall cabinets can be increased to a 15" or 18" depth. Select base cabinets can be decreased to a 15", 18", 21" or 22" depth. AD availability is noted by cabinet within the Product Specifications Guide.

ROUTE FOR GLASS DOORS (RFG) — Route for glass door option is available for selective wall cabinets. This option will automatically come with a matching interior. Doors prepared for glass do not include glass or glass fasteners. RFG is not available for Forza, Lucerne, Lugano or Parc door styles.

