

Leedo CABINETS



PRODUCT SPECIFICATIONS | FALL 2024



FRAMED CABINETRY SPECIFICATIONS

UPDATES TO FRAMED CABINETS

CONSTRUCTION UPDATES

Drawer Box: Undermount Soft-close Upgrade:
Full extension with 100lb rated undermount guide with
integrated soft-close feature.

DOOR STYLE ADDITIONS

Maple - Parker iv,v
Paint - Covington.iv,ix

DOOR FINISHES: See Style & Finish Guide

UNIVERSAL ACCESS

Universal Access Deep Sink Base. B26

ACCESSORIES

Solid Fillers Finished All SidesD4
1-3/4" Scribe Molding, SCM175, has been
renamed to Batten Molding BAT175D10
3/4" Flat Molding, FLATM75, has been
renamed to Flat Scribe Molding SCM75D10

DISCONTINUED ITEMS

Stain Quarts.D14



**FRAMED CABINERY SPECIFICATIONS
TABLE OF CONTENTS**

FRAMED CONSTRUCTION AND STYLES . . . ii-xii

- Framed Construction and Options ii-iii
- Door Style Collections iv
- Door Overlay Visualization v
- Framed Door Style Specifications vi-xii

FRAMED WALLS A1-A16

- Wall Cabinets A1-A3
- Refrigerator Cabinets A4
- Accessory Wall Cabinets A5-A7
- Corner / Blind Wall Cabinets A8-A9
- Recessed Bottom Wall Cabinets A10-A15
- Bathroom Wall Cabinets A16

FRAMED BASES B1-B48

STANDARD 34-1/2" High

- Door and Drawer Base Cabinets B1
- Full Height Base Cabinets B2
- Drawer Base Cabinets B3
- Accessory Base Cabinets B3-B4
- Blind / Corner Base Cabinets B5-B6
- Base Cabinets with Roll Out Shelves B7-B8
- Peninsula Base Cabinets B8
- Appliance Base Cabinets B9
- Sink Base Cabinets B10-B12
- Accessible/UFAS Base Cabinets B13-B14
- Sink Fronts B14
- Drawer Skirts B15

UNIVERSAL ACCESS 32-1/2" High

- Door and Drawer Base Cabinets B16
- Full Height Base Cabinets B17
- Drawer Base Cabinets B18
- Accessory Base Cabinets B18-B19
- Blind / Corner Base Cabinets B20-B21
- Base Cabinets with Roll Out Shelves B22-B23
- Appliance Base Cabinets B24
- Sink Base Cabinets B25-B29
- Sink Fronts B30
- Accessible/UFAS Base Cabinets B31-B32

VANITY 31-1/2" and 34-1/2" High

- Sink Base Cabinets B33-B34
- Full Height Sink Base Cabinets B35
- Door and Drawer Base Cabinets B36
- Drawer Base Cabinets B37
- Combo Sink Base Cabinets B38-B42
- Vanity Sink Fronts B43
- UFAS Vanity Sink Base Cabinets B44

FRAMED BASES cont B1-B48 . . .

DESK 28-1/2" High

- Door and Drawer Base Cabinets B45
- Full Height Base Cabinets B46
- Accessory Desk Base Cabinets B47

MUD ROOM 18" High

- Base Mud Room Cabinets B48
- Base Mud Room Open Cabinets
with Dividers B48

FRAMED TALLS C1-C15 . . .

STANDARD

- Pantry Cabinets C1-C2
- Bookshelves C3
- Linen Cabinets C4-C5
- Oven Cabinets C6-C7

UNIVERSAL ACCESS

- Pantry Cabinets C8-C9
- Linen Cabinets C10-C11
- Oven Cabinets C12-C13
- Pantry Fronts C14
- Linen Fronts C15

FRAMED ACCESSORIES D1-D15

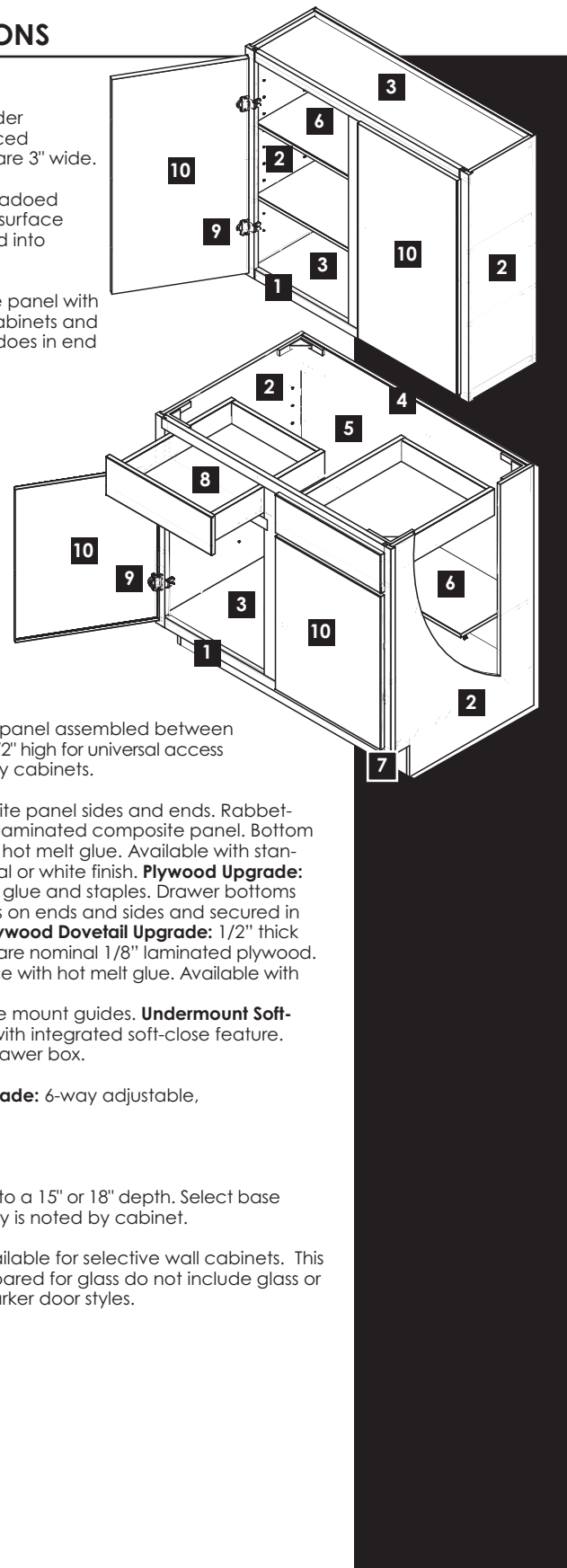
- Panels, Fillers, and Support D1-D4
- Decorative End Panels D5-D6
- End Skins and Valances D7
- Shelves and Floors D8
- Toe Kick Overlays and Legs D9
- Moldings D10-D12
- Floating Shelves D12
- Touch-Up Supplies D13-D14

**CABINERY CARE GUIDE, WARRANTY
AND PRODUCT DISCLOSURE I1-I3**

INDEX J1-J5

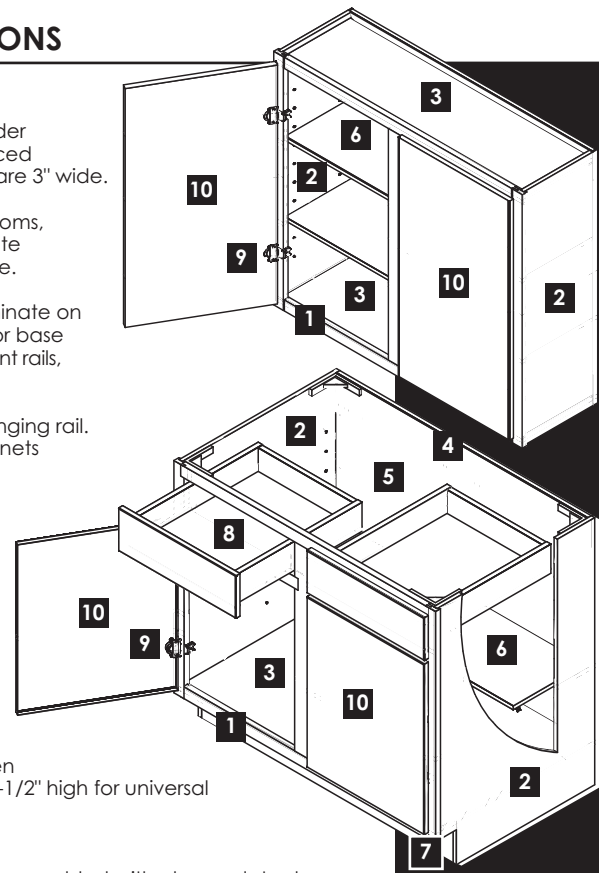
STANDARD FRAMED CONSTRUCTION AND OPTIONS

- 1 FRONT FRAME** — 3/4" thick kiln dried solid hardwood. Assembled under pressure with mortise and tenon construction. Frame joinery reinforced with mechanical fasteners. Stiles and Rails are 1-1/2" wide. Mullions are 3" wide.
- 2 END PANELS** — **Standard:** 1/2" thick wood based composite panel dadoed to receive tops and bottoms, with natural or white laminate interior surface and matching laminate exterior surfaces. All end panels are inserted into dado in face frame.
- 3 TOP/BOTTOM PANELS** — **Standard:** 1/2" thick wood based composite panel with natural or white laminate on exterior and interior surfaces for wall cabinets and interior surface for base cabinets. Tops and bottoms are set into dados in end panels and front rails, reinforced with glue and staples.
- 4 HANG RAILS** — **Standard:** Wall and base cabinets have 1/2" thick wood based composite hanging rail. Assembled between the end panels at the top and bottom of cabinets behind the back panel.
- 5 BACK PANEL** — **Standard:** 1/8" thick hardboard with natural or white interior surface. Securely glued with industrial grade hot melt to end panels and hang rails.
- 6 SHELVES** — Base cabinets come standard with half depth adjustable shelves. Wall cabinets feature full depth adjustable shelves. **Standard:** 3/4" thick wood based composite panel with natural or white laminate on both faces and matching edgeband on front edge.
Full depth shelf (FDS) upgrade: available on select base cabinets.
- 7 TOE KICK** — **Standard:** 1/2" thick unfinished wood based composite panel assembled between end panels. Toe kick is 4-1/2" high for standard base cabinets and 5-1/2" high for universal access base cabinets. **No Toe Kick (NTK) Upgrade:** available on select vanity cabinets.
- 8 DRAWER BOX** — **Standard:** 1/2" thick laminate wood based composite panel sides and ends. Rabbet-jointed, assembled with glue and staples. Drawer bottoms are 1/8" laminated composite panel. Bottom is captured in dados on ends and sides and secured in place with hot melt glue. Available with standard or upgraded undermount soft-close guides. Available in natural or white finish. **Plywood Upgrade:** 1/2" thick plywood sides and ends. Rabbet-jointed, assembled with glue and staples. Drawer bottoms are nominal 1/8" laminated plywood. Bottom is captured in dados on ends and sides and secured in place with hot melt glue. Available with standard drawer guides. **Plywood Dovetail Upgrade:** 1/2" thick plywood sides and ends with dovetail construction. Drawer bottoms are nominal 1/8" laminated plywood. Bottom is captured in dados on ends and sides and secured in place with hot melt glue. Available with standard or upgraded undermount soft-close guides.
DRAWER GUIDE OPTIONS — **Standard:** 100lb rated epoxy coated side mount guides. **Undermount Soft-close Upgrade:** Full extension with 100lb rated undermount guides with integrated soft-close feature. Available for the standard drawer box and the plywood dovetail drawer box.
- 9 HINGE** — **Standard:** 6-way adjustable, concealed steel hinges. **Upgrade:** 6-way adjustable, concealed steel hinges with soft-close feature.
- 10 DOORS** — Please refer to individual door style specifications.
ALTERED DEPTH (AD) OPTION — Most wall cabinets can be increased to a 15" or 18" depth. Select base cabinets can be decreased to a 15", 18" or 21" depth. AD availability is noted by cabinet.
ROUTE FOR GLASS DOORS (RFG) — Route for glass door option is available for selective wall cabinets. This option will automatically come with a matching interior. Doors prepared for glass do not include glass or glass fasteners. RFG is not available for Fulton, London, Lucina or Parker door styles.



PLYWOOD FRAMED CONSTRUCTION AND OPTIONS

- 1 FRONT FRAME** — 3/4" thick kiln dried solid hardwood. Assembled under pressure with mortise and tenon construction. Frame joinery reinforced with mechanical fasteners. Stiles and Rails are 1-1/2" wide. Mullions are 3" wide.
- 2 END PANELS** — 1/2" thick plywood dadoed to receive tops and bottoms, with natural or white laminate interior surface and matching laminate exterior surfaces. All end panels are inserted into dado in face frame.
- 3 TOP/BOTTOM PANELS** — 1/2" thick plywood with natural or white laminate on exterior and interior surfaces for wall cabinets and interior surface for base cabinets. Tops and bottoms are set into dados in end panels and front rails, reinforced with glue and staples.
- 4 HANG RAILS** — Wall and base cabinets have 1/2" thick plywood hanging rail. Assembled between the end panels at the top and bottom of cabinets behind the back panel.
- 5 BACK PANEL** — 3.6mm thick plywood with natural or white interior surface. Securely glued with industrial grade hot melt to rabbeted end panels and hang rails.
- 6 SHELVES** — Base cabinets come standard with half depth adjustable shelves. Wall cabinets feature full depth adjustable shelves. 3/4" thick plywood panel with natural or white laminate on both faces and matching edgeband on front edge.
Full depth shelf (FDS) upgrade: available on select base cabinets.
- 7 TOE KICK** — 1/2" thick unfinished plywood panel assembled between end panels. Toe kick is 4-1/2" high for standard base cabinets and 5-1/2" high for universal access base cabinets.
No Toe Kick (NTK) Upgrade: available on select vanity cabinets.
- 8 DRAWER BOX** — 1/2" thick plywood sides and ends. Rabbet-jointed, assembled with glue and staples. Drawer bottoms are nominal 1/8" laminated plywood. Bottom is captured in dados on ends and sides and secured in place with hot melt glue. Available with standard drawer guides. **Plywood Dovetail Upgrade:** 1/2" thick plywood sides and ends with dovetail construction. Drawer bottoms are nominal 1/8" laminated plywood. Bottom is captured in dados on ends and sides and secured in place with hot melt glue. Available with standard or upgraded undermount soft-close guides.
DRAWER GUIDE OPTIONS — **Standard:** 100lb rated epoxy coated side mount guides.
Undermount Soft-close Upgrade: Full extension with 100lb rated undermount guides with integrated soft-close feature. Available for the standard drawer box and the plywood dovetail drawer box.
- 9 HINGE** — **Standard:** 6-way adjustable, concealed steel hinges. **Upgrade:** 6-way adjustable, concealed steel hinges with soft-close feature.
- 10 DOORS** — Please refer to individual door style specifications.



ALTERED DEPTH (AD) OPTION — Most wall cabinets can be increased to a 15" or 18" depth. Select base cabinets can be decreased to a 15", 18" or 21" depth. AD availability is noted by cabinet.

ROUTE FOR GLASS DOORS (RFG) — Route for glass door option is available for selective wall cabinets. This option will automatically come with a matching interior. Doors prepared for glass do not include glass or glass fasteners. RFG is not available for Fulton, London, Lucina or Parker door styles.

FRAMED DOOR STYLES BY COLLECTION

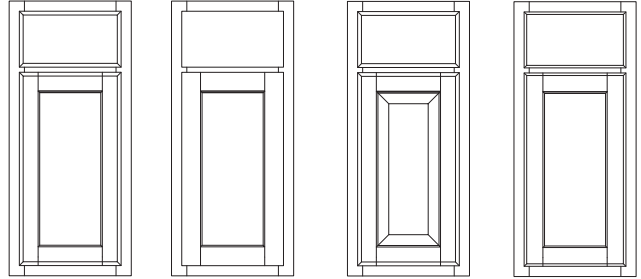
MAPLE

FULL OVERLAY



Alliance 5PC Ashton Concord Shaker Parker Riverside 5PC

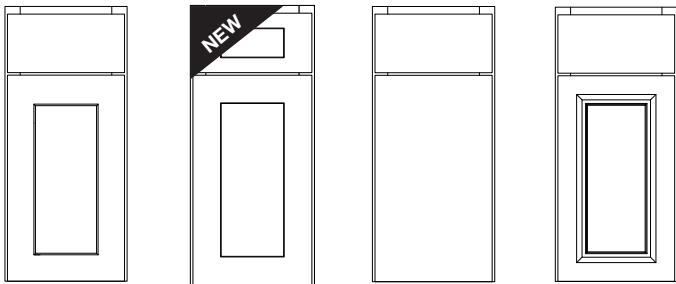
STANDARD REVEAL



Fillmore Hartford Shaker Radisson Rainier

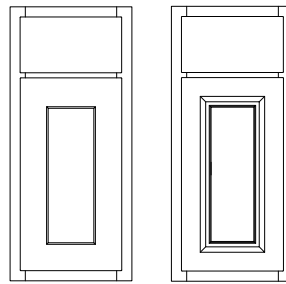
PAINT

FULL OVERLAY



Channing Covington Perryton Rosser

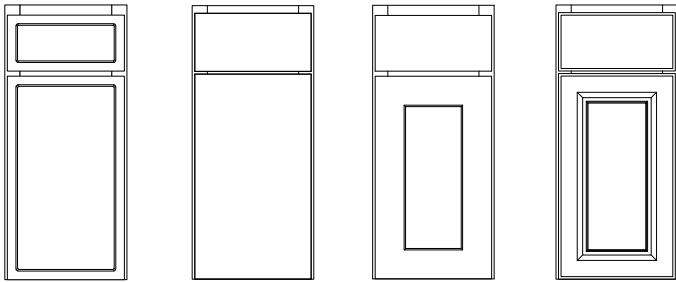
STANDARD REVEAL



Canyon Ridgeland

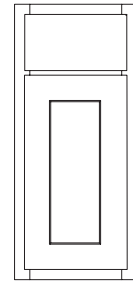
THERMOFOIL

FULL OVERLAY



Fulton Midway Savoy Vancouver

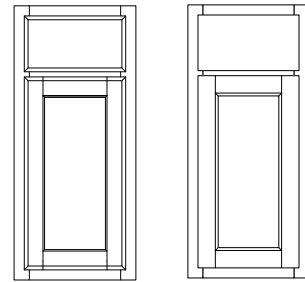
STANDARD REVEAL



Shelby

OAK

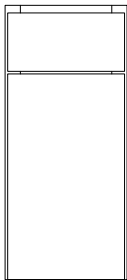
STANDARD REVEAL



Huntington Sheldon

TRUTOUCH

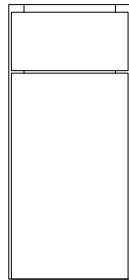
FULL OVERLAY



London

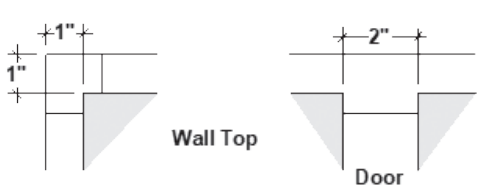
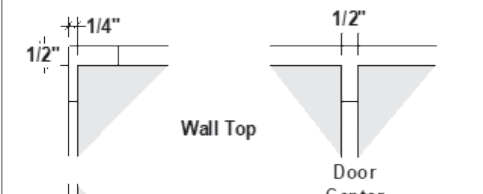
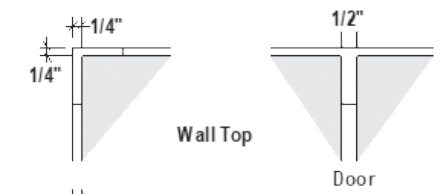
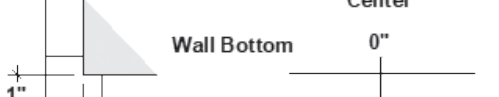





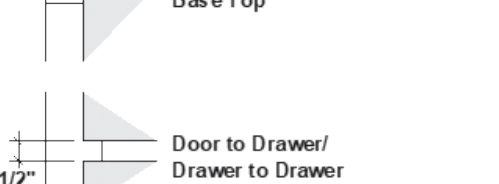
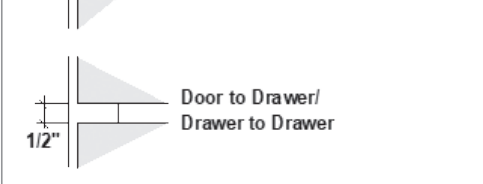
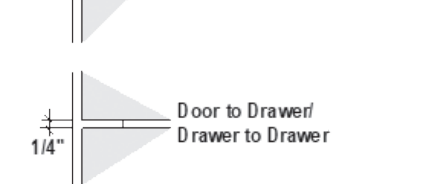



LAMINATE

FULL OVERLAY



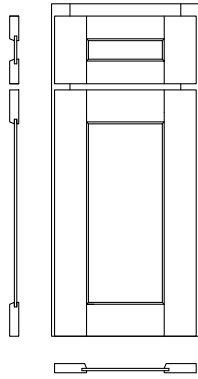
Lucina

DOOR OVERLAY VISUALIZATION

STANDARD OVERLAY	FULL OVERLAY	EXTENDED FULL OVERLAY
 <p>Wall Top: 1" (left), 2" (center)</p> <p>Door Center: 2"</p>	 <p>Wall Top: 1/2" (left), 1/2" (center)</p> <p>Door Center: 1/2"</p>	 <p>Wall Top: 1/4" (left), 1/2" (center)</p> <p>Door Center: 1/2"</p>
 <p>Wall Bottom: 1" (left), 0" (center)</p> <p>Door Center: 0"</p>	 <p>Wall Bottom: 1/2" (left), 0" (center)</p> <p>Door Center: 0"</p>	 <p>Wall Bottom: 1/2" (left), 0" (center)</p> <p>Door Center: 0"</p>
 <p>Base Top: 1" (left), 1" (center)</p> <p>Butt Door Center: 1"</p>	 <p>Base Top: 1/4" (left), 1" (center)</p> <p>Butt Door Center: 1"</p>	 <p>Base Top: 1/4" (left), 1" (center)</p> <p>Butt Door Center: 1"</p>
 <p>Door to Drawer/ Drawer to Drawer: 1/2"</p>	 <p>Door to Drawer/ Drawer to Drawer: 1/2"</p>	 <p>Door to Drawer/ Drawer to Drawer: 1/4"</p>
 <p>Base Bottom: 1" (left), 1" (center)</p>	 <p>Base Bottom: 0" (left), 1/4" (center)</p>	 <p>Base Bottom: 0" (left), 1/4" (center)</p>
<p>Canyon</p> <p>Fillmore</p> <p>Hartford Shaker</p> <p>Huntington</p> <p>Radisson</p> <p>Rainier</p> <p>Ridgeland</p> <p>Shelby</p> <p>Sheldon</p>	<p>Alliance 5PC</p> <p>Ashton</p> <p>Concord Shaker</p> <p>Fulton</p> <p>Parker</p> <p>Riverside 5PC</p> <p>Savoy</p>	<p>Channing</p> <p>Covington</p> <p>London</p> <p>Lucina</p> <p>Midway</p> <p>Perryton</p> <p>Rosser</p> <p>Vancouver</p>

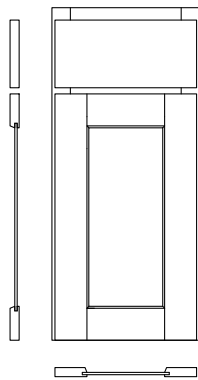
FRAMED MAPLE DOORS

Please refer to our current **DOOR STYLES & FINISHES GUIDE** for available finishes



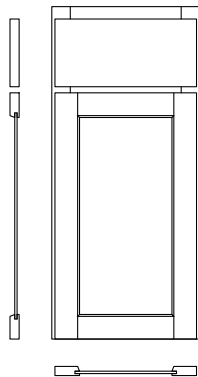
ALLIANCE 5PC

- Flat panel shaker door style with oversized rails and stiles
- Hardwood door, drawer front, and frame
- Full overlay
- Five-piece drawer front
- Route for glass door option available for wall cabinets.
Doors prepared for glass do not include glass or glass fasteners.
- Hardware is required



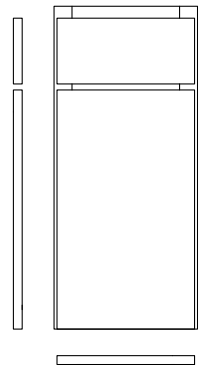
ASHTON

- Flat panel shaker door style with oversized rails and stiles
- Hardwood door, drawer front, and frame
- Full overlay
- Route for glass door option available for wall cabinets.
Doors prepared for glass do not include glass or glass fasteners.
- Hardware is required



CONCORD SHAKER

- Flat panel shaker door style with cope-joined construction
- Hardwood door, drawer front, and frame
- Full overlay
- Route for glass door option available for wall cabinets.
Doors prepared for glass do not include glass or glass fasteners.
- Hardware is required

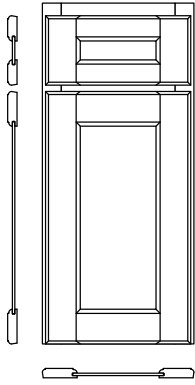


PARKER

- Hardwood veneer slab door style
- Hardwood door, drawer front, and frame
- Full overlay
- Hardware is required

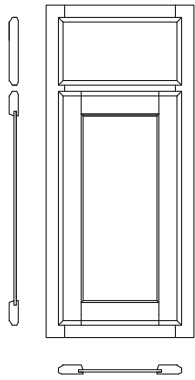
NEW

FRAMED MAPLE DOORS



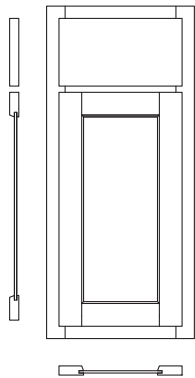
RIVERSIDE 5PC

- Flat panel door style with cope-joined construction
- Hardwood door, drawer front, and frame
- Full overlay
- Five-piece drawer front
- Back bevel feature
- Route for glass (RTF) door option available for wall cabinets.
Doors prepared for glass do not include glass or glass fasteners.
- Hardware is required



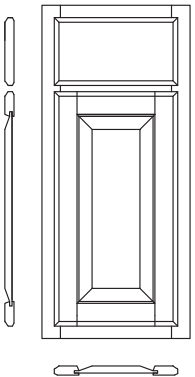
FILLMORE

- Flat panel door style with cope-joined construction
- Hardwood door and drawer front, and frame
- Standard reveal
- Back bevel feature
- Route for glass door option available for wall cabinets.
Doors prepared for glass do not include glass or glass fasteners.
- Hardware is suggested



HARTFORD SHAKER

- Flat panel shaker door style with cope-joined construction
- Hardwood door and drawer front, and frame
- Standard reveal
- Route for glass door option available for wall cabinets.
Doors prepared for glass do not include glass or glass fasteners.
- Hardware is suggested



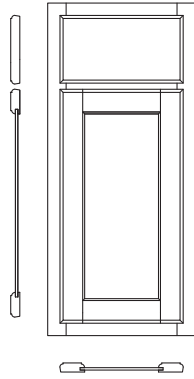
RADISSON

- Raised panel door style with cope-joined construction
- Hardwood door, drawer front, and frame
- Standard reveal
- Back bevel feature
- Route for glass door option available for wall cabinets.
Doors prepared for glass do not include glass or glass fasteners.
- Hardware is suggested

Please refer to
our current
**Door Styles &
Finishes Guide**
for available
finishes.

FRAMED MAPLE DOORS

Please refer to our current **DOOR STYLES & FINISHES GUIDE** for available finishes

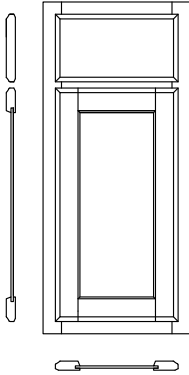


RAINIER

- Flat panel door style with cope-joined construction
- Hardwood door, drawer front, and frame
- Standard reveal
- Back bevel feature
- Route for glass door option available for wall cabinets.
Doors prepared for glass do not include glass or glass fasteners.
- Hardware is suggested

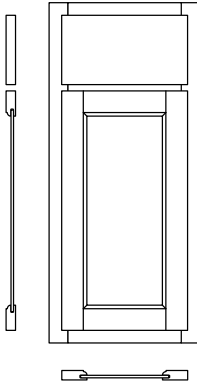
FRAMED OAK DOORS

Please refer to our current **DOOR STYLES & FINISHES GUIDE** for available finishes



HUNTINGTON

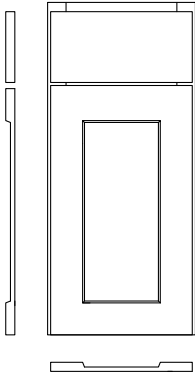
- Flat panel door style with cope-joined construction
- North American red oak door, drawer front, and frame
- Standard reveal
- Back bevel feature
- Route for glass door option available for wall cabinets.
Doors prepared for glass do not include glass or glass fasteners.
- Hardware is suggested



SHELDON

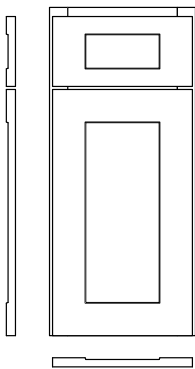
- Flat panel shaker style door style with cope-joined construction
- North American red oak door, drawer front, and frame
- Standard reveal
- Route for glass door option available for wall cabinets.
Doors prepared for glass do not include glass or glass fasteners.
- Hardware is suggested

FRAMED PAINTED DOORS



CHANNING

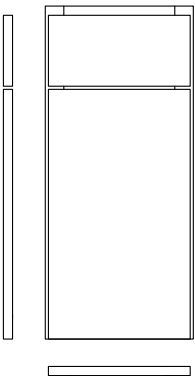
- Shaker door style
- 3/4" thick fiberboard door and drawer front, and solid wood frame
- Durable and easy to clean
- Full overlay
- Color matching back
- Route for glass door option available for wall cabinets.
Doors prepared for glass do not include glass or glass fasteners.
- Hardware is required



COVINGTON

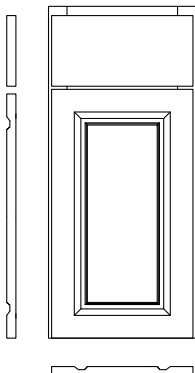
- Shaker door style
- 3/4" thick fiberboard door and drawer front, and solid wood frame
- Durable and easy to clean
- Full overlay
- Color matching back
- Route for glass door option available for wall cabinets.
Doors prepared for glass do not include glass or glass fasteners.
- Hardware is required

NEW



PERRYTON

- Slab door style
- 3/4" thick fiberboard door and drawer front, and solid wood frame
- Durable and easy to clean
- Full overlay
- Color matching back
- Route for glass door option available for wall cabinets.
Doors prepared for glass do not include glass or glass fasteners.
- Hardware is required



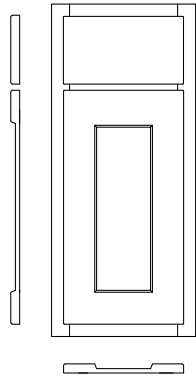
ROSSER

- Raised panel door style
- 3/4" thick fiberboard door and drawer front, and solid wood frame
- Durable and easy to clean
- Full overlay
- Color matching back
- Route for glass door option available for wall cabinets.
Doors prepared for glass do not include glass or glass fasteners.
- Hardware is required

Please refer
to our current
**DOOR STYLES &
FINISHES GUIDE**
for available
finishes

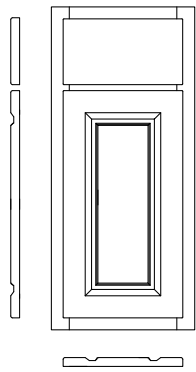
FRAMED PAINTED DOOR

Please refer to our current **DOOR STYLES & FINISHES GUIDE** for available finishes



CANYON

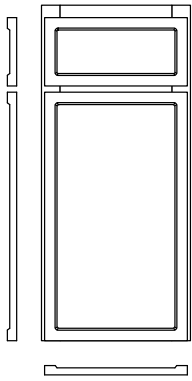
- Shaker door style
- 3/4" thick fiberboard door and drawer front, and solid wood frame
- Durable and easy to clean
- Standard reveal
- Color matching back
- Recommended to use solid wood or veneer wood fillers to best match the cabinet frame color
- Route for glass door option available for wall cabinets.
Doors prepared for glass do not include glass or glass fasteners.
- Hardware is suggested
- **9" wide cabinets will have slab doors instead of a shaker style**



RIDGELAND

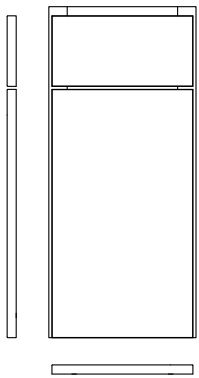
- Raised panel door style
- 3/4" thick fiberboard door and drawer front, and solid wood frame
- Durable and easy to clean
- Standard reveal
- Color matching back
- Recommended to use solid wood or veneer wood fillers to best match the cabinet frame color
- Route for glass door option available for wall cabinets.
Doors prepared for glass do not include glass or glass fasteners.
- Hardware is suggested

FRAMED THERMOFOIL DOORS



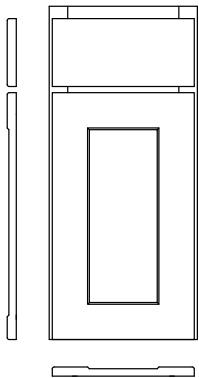
FULTON

- 3D laminate flat panel thin rail shaker door style
- 13/16" thick melamine-backed doors and drawer fronts
- Solid wood frame finished to match
- Durable and easy to clean
- Full overlay
- Route for glass door option is not available for this door style
- Hardware is required



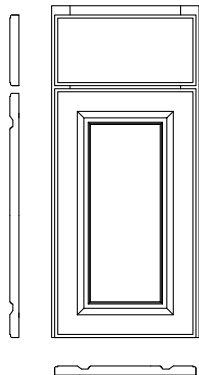
MIDWAY

- 3D laminate slab door with decreased reveal between door and drawer front
- 5/8" thick melamine-backed doors and drawer fronts
- Solid wood frame finished to match
- Durable and easy to clean
- Full overlay
- Route for glass door option available for wall cabinets.
Doors prepared for glass do not include glass or glass fasteners.
- Hardware is required



SAVOY

- 3D laminate flat panel, shaker door style
- 5/8" thick melamine-backed doors and drawer fronts
- Solid wood frame finished to match
- Durable and easy to clean
- Full overlay
- Route for glass door option available for wall cabinets.
Doors prepared for glass do not include glass or glass fasteners.
- Hardware is required



VANCOUVER

- 3D laminate raised panel door style with routed edges
- 5/8" thick melamine-backed doors and drawer fronts
- Solid wood frame finished to match
- Durable and easy to clean
- Full overlay
- Route for glass door option available for wall cabinets.
Doors prepared for glass do not include glass or glass fasteners.
- Hardware is required

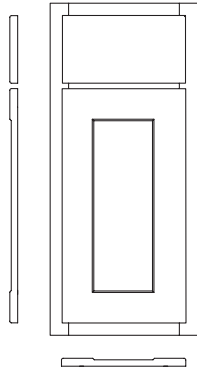
Please refer to our current **DOOR STYLES & FINISHES GUIDE** for available finishes

Thermofoil door styles are only available with white cabinet interior

FRAMED THERMOFOIL DOORS

Please refer to our current **DOOR STYLES & FINISHES GUIDE** for available finishes

Thermofoil door styles are only available with white cabinet interior



SHELBY

- 3D laminate flat panel, shaker door style
- 5/8" thick melamine-backed doors and drawer fronts
- **Available in limited finishes**
- Solid wood frame finished to match
- Durable and easy to clean
- Standard reveal
- Route for glass door option available for wall cabinets.
Doors prepared for glass do not include glass or glass fasteners.
- Hardware is suggested

FRAMED TRU TOUCH DOOR

Please refer to our current **DOOR STYLES & FINISHES GUIDE** for available finishes



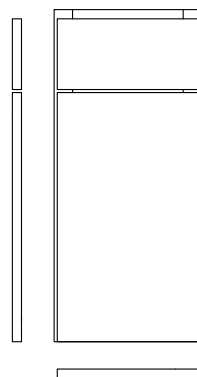
LONDON

- Thermofused laminate slab door style with TruTouch finish*
- 5/8" thick door and drawer front
- Solid wood frame finished to match
- 1mm thick edgebanding on four sides
- Vertical grain on door and drawer fronts
- Durable, scratch resistant melamine door resists damage and cleans easily
- Full overlay
- Door back matches door front
- Hardware is required
- RFG not available for this door style

*Leedo's TruTouch Thermofused Technology replicates both the beauty and feel of natural wood cabinets, producing a visually stunning, realistic high-end product with extraordinary durability.

FRAMED LAMINATE DOOR

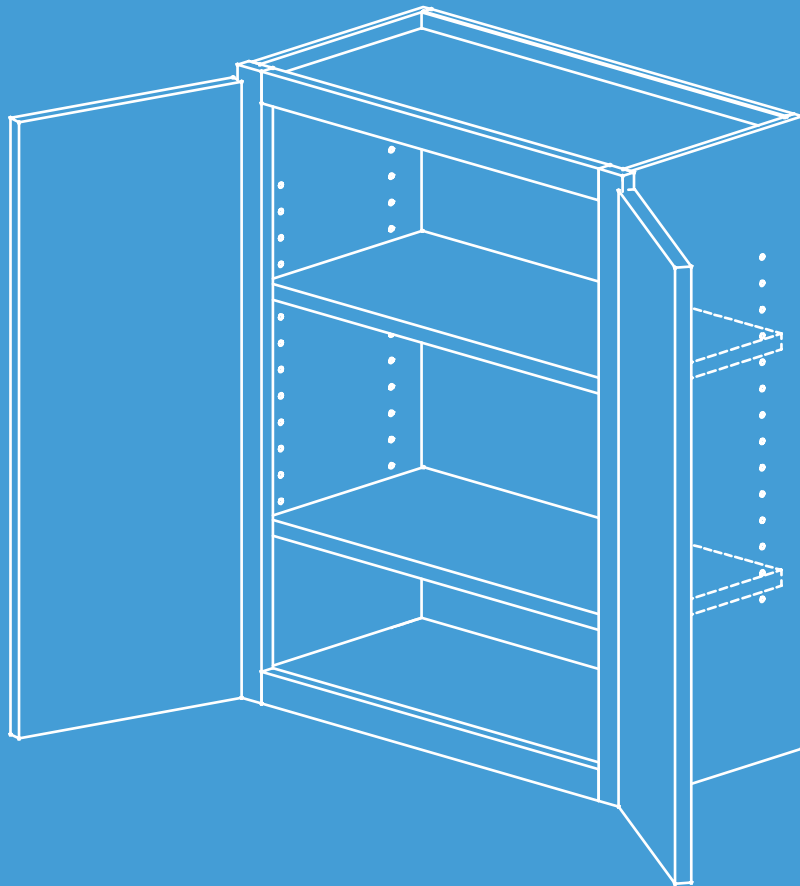
Please refer to our current **DOOR STYLES & FINISHES GUIDE** for available finishes



LUCINA

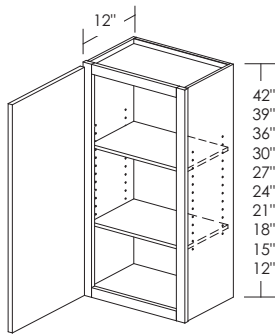
- Melamine slab door on particleboard
- 5/8" thick door and drawer front
- Solid wood frame finished to match
- Edgebanding on four sides
- Durable and easy to clean
- Full overlay
- Door back matches door front
- Hardware is required
- RFG not available for this door style

FRAMED WALLS



WALL CABINETY

AD = Altered depth option



SINGLE DOOR WALL

- Two hinges per door, except 42" high cabinets have three hinges per door
- Specify L or R door hinging
- **AD 15"**
- **Wall fronts available for all sizes, order as WF0942 for example**
- * **When ordered in Canyon and Shelby, the door will be a slab style**

42" High (3 shelves)

* W0942 L or R
 W1242 L or R
 W1542 L or R
 W1842 L or R
 W2142 L or R
 W2442 L or R

24" High (1 shelf)

* W0924 L or R
 W1224 L or R
 W1524 L or R
 W1824 L or R
 W2124 L or R
 W2424 L or R

39" High (2 shelves)

* W0939 L or R
 W1239 L or R
 W1539 L or R
 W1839 L or R
 W2139 L or R
 W2439 L or R

21" High (1 shelf)

* W0921 L or R
 W1221 L or R
 W1521 L or R
 W1821 L or R
 W2121 L or R
 W2421 L or R

36" High (2 shelves)

* W0936 L or R
 W1236 L or R
 W1536 L or R
 W1836 L or R
 W2136 L or R
 W2436 L or R

18" High (No shelf)

* W0918 L or R
 W1218 L or R
 W1518 L or R
 W1818 L or R
 W2118 L or R
 W2418 L or R

30" High (2 shelves)

* W0930 L or R
 W1230 L or R
 W1530 L or R
 W1830 L or R
 W2130 L or R
 W2430 L or R

15" High (No Shelf)

* W0915 L or R
 W1215 L or R
 W1515 L or R
 W1815 L or R
 W2115 L or R
 W2415 L or R

27" High (1 shelf)

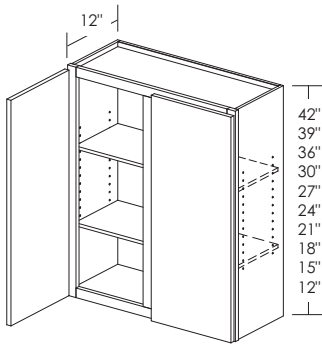
* W0927 L or R
 W1227 L or R
 W1527 L or R
 W1827 L or R
 W2127 L or R
 W2427 L or R

12" High (No shelf)

* W0912 L or R
 W1212 L or R
 W1512 L or R
 W1812 L or R
 W2112 L or R
 W2412 L or R

WALL CABINETRY

AD = Altered depth option



DOUBLE DOOR WALL

- Two hinges per door, except 42" high cabinets have three hinges per door
- **AD 15"**
- **Wall fronts available for all sizes, order as WF2742 for example**

42" High (3 shelves)

W2742
W3042
W3342
W3642
W3942
W4242
W4542
W4842

24" High (1 shelf)

W2724
W3024
W3324
W3624
W3924
W4224
W4524
W4824

39" High (2 shelves)

W2739
W3039
W3339
W3639
W3939
W4239
W4539
W4839

21" High (1 shelf)

W2721
W3021
W3321
W3621
W3921
W4221

36" High (2 shelves)

W2736
W3036
W3336
W3636
W3936
W4236
W4536
W4836

18" High (No shelf)

W2718
W3018
W3318
W3618
W3918
W4218

30" High (2 shelves)

W2730
W3030
W3330
W3630
W3930
W4230
W4530
W4830

15" High (No shelf)

W2715
W3015
W3315
W3615
W3915

27" High (1 shelf)

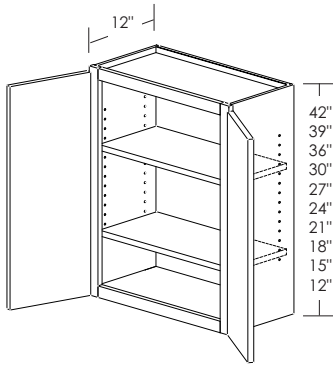
W2727
W3027
W3327
W3627
W3927
W4227
W4527
W4827

12" High (No shelf)

W2712
W3012
W3312
W3612
W3912

WALL CABINETS

AD = Altered depth option

**BUTT DOOR WALL**

- Two hinges per door, except 42" high cabinets have three hinges per door
- **AD 15"**
- **Wall fronts available for all sizes, order as WF2442BD for example**

42" High (3 shelves)

W2442BD
W2742BD
W3042BD
W3342BD
W3642BD

24" High (1 shelf)

W2424BD
W2724BD
W3024BD
W3324BD
W3624BD

39" High (2 shelves)

W2439BD
W2739BD
W3039BD
W3339BD
W3639BD

21" High (1 shelf)

W2421BD
W2721BD
W3021BD
W3321BD
W3621BD

36" High (2 shelves)

W2436BD
W2736BD
W3036BD
W3336BD
W3636BD

18" High (No shelf)

W2418BD
W2718BD
W3018BD
W3318BD
W3618BD

30" High (2 shelves)

W2430BD
W2730BD
W3030BD
W3330BD
W3630BD

15" High (No shelf)

W2415BD
W2715BD
W3015BD
W3315BD
W3615BD

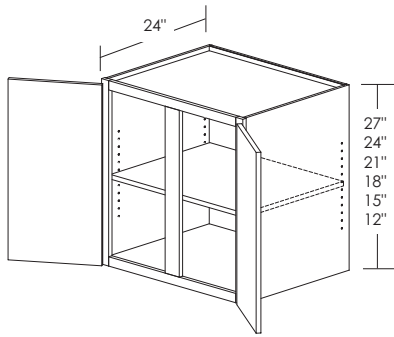
27" High (1 shelf)

W2427BD
W2727BD
W3027BD
W3327BD
W3627BD

12" High (No shelf)

W2412BD
W2712BD
W3012BD
W3312BD
W3612BD

WALL CABINETY



24" DEEP DOUBLE DOOR REFRIGERATOR WALL

- Two hinges per door
- Must be installed between tall cabinetry and/or walls of equal or greater depth for proper support. These should never be hung on a wall by themselves.

27" High (1 shelf)

W2727X24
W3027X24
W3327X24
W3627X24
W3927X24

18" High (No shelf)

W2718X24
W3018X24
W3318X24
W3618X24
W3918X24

24" High (1 shelf)

W2724X24
W3024X24
W3324X24
W3624X24
W3924X24

15" High (No shelf)

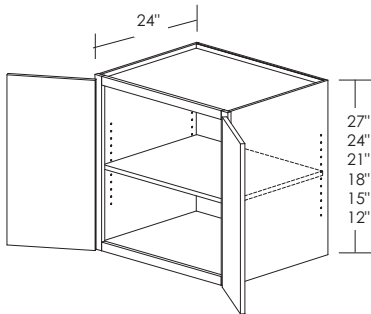
W2715X24
W3015X24
W3315X24
W3615X24
W3915X24

21" High (1 shelf)

W2721X24
W3021X24
W3321X24
W3621X24
W3921X24

12" High (No shelf)

W2712X24
W3012X24
W3312X24
W3612X24
W3912X24



24" DEEP BUTT DOOR REFRIGERATOR WALL

- Two hinges per door
- Must be installed between tall cabinetry and/or walls of equal or greater depth for proper support. These should never be hung on a wall by themselves.

27" High (1 shelf)

W2727BDX24
W3027BDX24
W3327BDX24
W3627BDX24

18" High (No shelf)

W2718BDX24
W3018BDX24
W3318BDX24
W3618BDX24

24" High (1 shelf)

W2724BDX24
W3024BDX24
W3324BDX24
W3624BDX24

15" High (No shelf)

W2715BDX24
W3015BDX24
W3315BDX24
W3615BDX24

21" High (1 shelf)

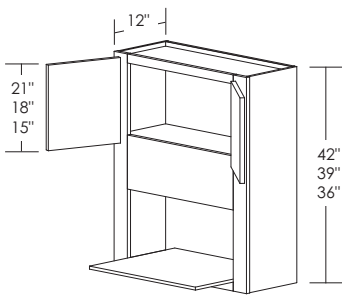
W2721BDX24
W3021BDX24
W3321BDX24
W3621BDX24

12" High (No shelf)

W2712BDX24
W3012BDX24
W3312BDX24
W3612BDX24

WALL CABINETRY

AD = Altered depth option



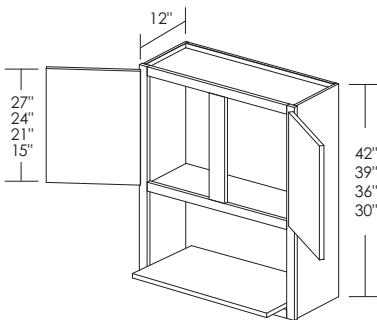
NOTE: Drawing is shown with 18" deep microwave shelf ordered separately.

TRIMMABLE MICROWAVE WALL CABINETS WITH BUTT DOORS

- Two hinges per door
- Designed to be trimmable to accommodate built in microwave
- Maximum cutout dimensions is 19-1/2"H x 28"W
- Color matching interior
- **Microwave shelf (MWS3018) must be ordered separately for use with 12" deep cabinet and shelf can be modified in the field to fit**
- **Refer to appliance manufacturer specifications for proper clearance and ventilation requirements**
- **Vertical stiles in microwave opening are each 3" wide. Trimmable panel is 9" tall**
- **AD 18" and 21"**

MWC3042BD
MWC3039BD
MWC3036BD

CABINET	OPENING SIZE
MWC30__BD	12"H x 24"W



NOTE: Drawing is shown with 18" deep microwave shelf ordered separately.

MICROWAVE WALL CABINETS WITH DOUBLE DOORS

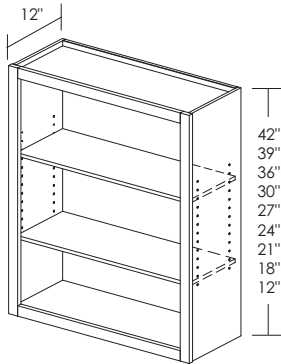
- Two hinges per door
- Color matching interior
- **Microwave shelf (MWS) must be ordered separately for use with 12" deep cabinet**
- **Refer to appliance manufacturer specifications for proper clearance and ventilation requirements**
- **Shelf sizes: MWS2718, MWS3018, MWS3318**
- **AD 18" and 21"**

42" High	36" High
MWC2742	MWC2736
MWC3042	MWC3036
MWC3342	MWC3336
39" High	30" High
MWC2739	MWC2730
MWC3039	MWC3030
MWC3339	MWC3330

CABINET	OPENING SIZE
MWC27__	13-1/2"H x 24"W
MWC30__	13-1/2"H x 27"W
MWC33__	13-1/2"H x 30"W

WALL CABINETRY

AD = Altered depth option



WALL BOOK SHELF CABINETS

- Adjustable shelves
- Color matching interior
- **AD 15"**

42" High (3 shelves)

WBS1242
WBS1542
WBS1842
WBS2142
WBS2442
WBS2742
WBS3042
WBS3342

30" High (2 shelves)

WBS1230
WBS1530
WBS1830
WBS2130
WBS2430
WBS2730
WBS3030
WBS3330

21" High (1 shelf)

WBS1221
WBS1521
WBS1821
WBS2121
WBS2421
WBS2721
WBS3021
WBS3321

39" High (2 shelves)

WBS1239
WBS1539
WBS1839
WBS2139
WBS2439
WBS2739
WBS3039
WBS3339

27" High (1 shelf)

WBS1227
WBS1527
WBS1827
WBS2127
WBS2427
WBS2727
WBS3027
WBS3327

18" High (No shelf)

WBS1218
WBS1518
WBS1818
WBS2118
WBS2418
WBS2718
WBS3018
WBS3318

36" High (2 shelves)

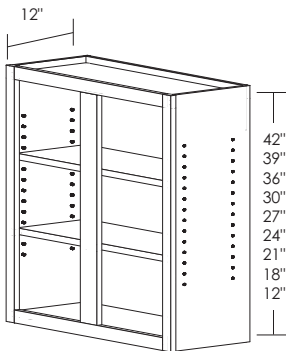
WBS1236
WBS1536
WBS1836
WBS2136
WBS2436
WBS2736
WBS3036
WBS3336

24" High (1 shelf)

WBS1224
WBS1524
WBS1824
WBS2124
WBS2424
WBS2724
WBS3024
WBS3324

12" High (No shelf)

WBS1212
WBS1512
WBS1812
WBS2112
WBS2412
WBS2712
WBS3012
WBS3312



DOUBLE WALL BOOK SHELF CABINETS

- Adjustable shelves
- Color matching interior
- **AD 15"**

42" High (3 shelves)

WBS3642
WBS3942
WBS4242
WBS4542
WBS4842

30" High (2 shelves)

WBS3630
WBS3930
WBS4230
WBS4530
WBS4830

21" High (1 shelf)

WBS3621
WBS3921
WBS4221
WBS4521
WBS4821

39" High (2 shelves)

WBS3639
WBS3939
WBS4239
WBS4539
WBS4839

27" High (1 shelf)

WBS3627
WBS3927
WBS4227
WBS4527
WBS4827

18" High (No shelf)

WBS3618
WBS3918
WBS4218
WBS4518
WBS4818

36" High (2 shelves)

WBS3636
WBS3936
WBS4236
WBS4536
WBS4836

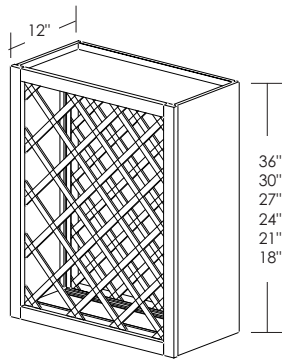
24" High (1 shelf)

WBS3624
WBS3924
WBS4224
WBS4524
WBS4824

12" High (No shelf)

WBS3612
WBS3912

WALL CABINETS

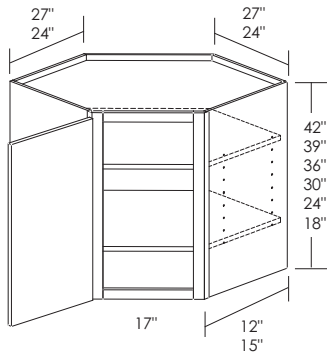


WALL LATTICE WINE RACKS

- Color matching interior

CABINET	BOTTLE CAPACITY
36" High	
WRL1836	14
30" High	
WRL1830	10
WRL2130	17
WRL2430	18
27" High	
WRL1827	9
WRL2127	15
WRL2427	15
24" High	
WRL1824	8
WRL2124	13
WRL2424	10
WRL2724	15
WRL3024	18
21" High	
WRL1821	6
WRL2121	10
WRL2421	13
WRL2721	15
WRL3021	17
18" High	
WRL1818	4
WRL2118	6
WRL2418	8
WRL2718	9
WRL3018	10
WRL3618	14
15" High	
WRL3015	11
WRL3615	13

WALL CABINETS



CORNER WALL CABINETS

- Two hinges per door, except 42" high cabinets have three hinges per door
- Specify L or R door hinging
- For full overlay door styles, it is recommended to use fillers on each side of cabinet to ensure proper door operation
- **CW27's are 15"D**

42" High (3 shelves)

CW2442 L or R
CW2742 L or R

30" High (2 shelves)

CW2430 L or R
CW2730 L or R

39" High (2 shelves)

CW2439 L or R
CW2739 L or R

24" High (2 shelves)

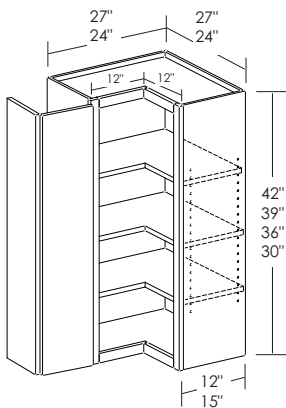
CW2424 L or R
CW2724 L or R

36" High (2 shelves)

CW2436 L or R
CW2736 L or R

18" High (No shelf)

CW2418 L or R
CW2718 L or R



WALL EASY REACH

- Three hinges per door, except 30" high cabinets have two hinges per door
- Bifold doors are hinged together
- Specify L or R door hinging
- Soft-close hinge is not available for this cabinet
- **WER27's are 15"D**

42" High (3 shelves)

WER2442 L or R
WER2742 L or R

39" High (2 shelves)

WER2439 L or R
WER2739 L or R

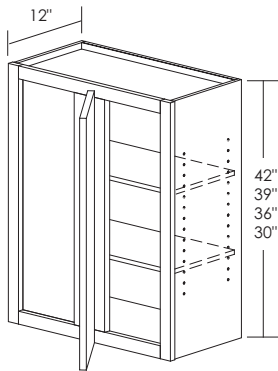
36" High (2 shelves)

WER2436 L or R
WER2736 L or R

30" High (2 shelves)

WER2430 L or R
WER2730 L or R

WALL CABINETRY



SINGLE DOOR BLIND WALL CABINETS

- Two hinges per door, except 42" high cabinets have three hinges per door
- Specify L or R door hinging and blind location

42" High (3 shelves)

BW24/2742 L or R
 BW27/3042 L or R
 BW30/3342 L or R
 BW33/3642 L or R
 BW36/3942 L or R

36" High (2 shelves)

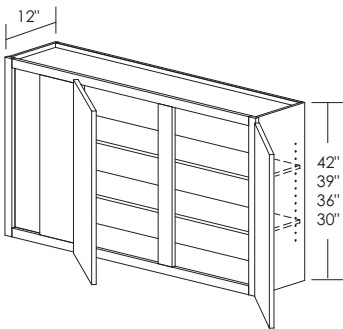
BW24/2736 L or R
 BW27/3036 L or R
 BW30/3336 L or R
 BW33/3636 L or R
 BW36/3936 L or R

39" High (2 shelves)

BW24/2739 L or R
 BW27/3039 L or R
 BW30/3339 L or R
 BW33/3639 L or R
 BW36/3939 L or R

30" High (2 shelves)

BW24/2730 L or R
 BW27/3030 L or R
 BW30/3330 L or R
 BW33/3630 L or R
 BW36/3930 L or R



DOUBLE DOOR BLIND WALL CABINETS

- Two hinges per door, except 42" high cabinets have three hinges per door
- Specify L or R blind location

42" High (3 shelves)

BW39/4242 L or R
 BW42/4542 L or R
 BW45/4842 L or R
 BW48/5142 L or R

36" High (2 shelves)

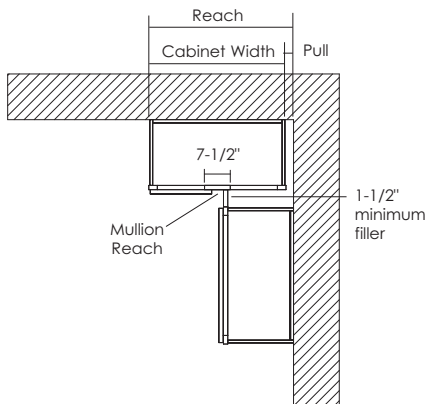
BW39/4236 L or R
 BW42/4536 L or R
 BW45/4836 L or R
 BW48/5136 L or R

39" High (2 shelves)

BW39/4239 L or R
 BW42/4539 L or R
 BW45/4839 L or R
 BW48/5139 L or R

30" High (2 shelves)

BW39/4230 L or R
 BW42/4530 L or R
 BW45/4830 L or R
 BW48/5130 L or R

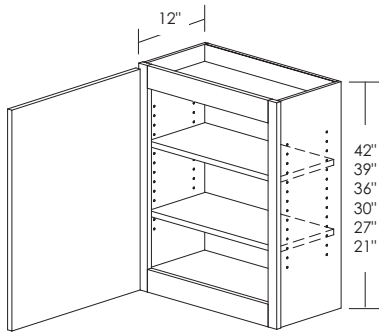


TYPICAL BLIND WALL LAYOUT

CABINET	CABINET WIDTH	CABINET REPLACED	REACH – FULL OVERLAY	REACH – STD OVERLAY	MAX REACH
BW24/27XX	24	12	25-1/2 – 28-1/2	24-3/4 – 28-1/2	29.25
BW27/30XX	27	15	28-1/2 – 31-1/2	27-3/4 – 31-1/2	32.25
BW30/33XX	30	18	31-1/2 – 34-1/2	30-3/4 – 34-1/2	35.25
BW33/36XX	33	21	34-1/2 – 37-1/2	33-3/4 – 37-1/2	38.25
BW36/39XX	36	24	37-1/2 – 40-1/2	36-3/4 – 40-1/2	41.25
BW39/42XX	39	27	40-1/2 – 43-1/2	39-3/4 – 43-1/2	44.25
BW42/45XX	42	30	43-1/2 – 46-1/2	42-3/4 – 46-1/2	47.25
BW45/48XX	45	33	46-1/2 – 49-1/2	45-3/4 – 49-1/2	50.25
BW48/51XX	48	36	49-1/2 – 52-1/2	48-3/4 – 52-1/2	53.25

WALL CABINETS

AD = Altered depth option



SINGLE DOOR WALL WITH RECESSED BOTTOM

- Two hinges per door, except 42" high cabinets have three hinges per door
- Rails are 3" which provide a 2-5/16" recess.
- Specify L or R door hinging
- **AD 15"**
- **Wall fronts available for all sizes, order as WF0942RC for example**

42" High (3 shelves)

W0942RC L or R
 W1242RC L or R
 W1542RC L or R
 W1842RC L or R
 W2142RC L or R
 W2442RC L or R

27" High (1 shelf)

W0927RC L or R
 W1227RC L or R
 W1527RC L or R
 W1827RC L or R
 W2127RC L or R
 W2427RC L or R

39" High (2 shelves)

W0939RC L or R
 W1239RC L or R
 W1539RC L or R
 W1839RC L or R
 W2139RC L or R
 W2439RC L or R

24" High (1 shelf)

W0924RC L or R
 W1224RC L or R
 W1524RC L or R
 W1824RC L or R
 W2124RC L or R
 W2424RC L or R

36" High (2 shelves)

W0936RC L or R
 W1236RC L or R
 W1536RC L or R
 W1836RC L or R
 W2136RC L or R
 W2436RC L or R

21" High (1 shelf)

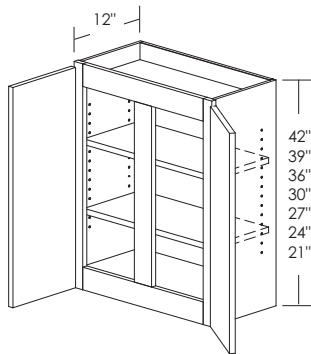
W0921RC L or R
 W1221RC L or R
 W1521RC L or R
 W1821RC L or R
 W2121RC L or R
 W2421RC L or R

30" High (2 shelves)

W0930RC L or R
 W1230RC L or R
 W1530RC L or R
 W1830RC L or R
 W2130RC L or R
 W2430RC L or R

WALL CABINETS

AD = Altered depth option



DOUBLE DOOR WALL WITH RECESSED BOTTOM

- Two hinges per door, except 42" high cabinets have three hinges per door
- Rails are 3" which provide a 2-5/16" recess.
- **AD 15"**
- **Wall fronts available for all sizes, order as WF2742RC for example**

42" High (3 shelves)

W2742RC
W3042RC
W3342RC
W3642RC
W3942RC
W4242RC
W4542RC
W4842RC

27" High (1 shelf)

W2727RC
W3027RC
W3327RC
W3627RC
W3927RC
W4227RC
W4527RC
W4827RC

39" High (2 shelves)

W2739RC
W3039RC
W3339RC
W3639RC
W3939RC
W4239RC
W4539RC
W4839RC

24" High (1 shelf)

W2724RC
W3024RC
W3324RC
W3624RC
W3924RC
W4224RC
W4524RC
W4824RC

36" High (2 shelves)

W2736RC
W3036RC
W3336RC
W3636RC
W3936RC
W4236RC
W4536RC
W4836RC

21" High (1 shelf)

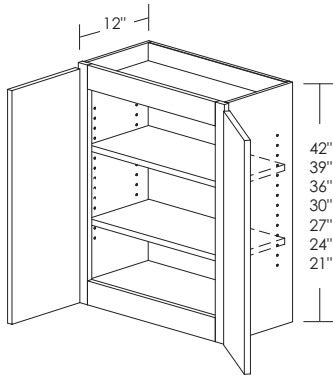
W2721RC
W3021RC
W3321RC
W3621RC
W3921RC
W4221RC

30" High (2 shelves)

W2730RC
W3030RC
W3330RC
W3630RC
W3930RC
W4230RC
W4530RC
W4830RC

WALL CABINETRY

AD = Altered depth option



BUTT DOOR WALL WITH RECESSED BOTTOM

- Two hinges per door, except 42" high cabinets have three hinges per door
- Rails are 3" which provide a 2-5/16" recess
- **AD 15"**
- **Wall fronts available for all sizes, order as WF2442BDRC for example**

42" High (3 shelves)

W2442BDRC
W2742BDRC
W3042BDRC
W3342BDRC
W3642BDRC

27" High (1 shelf)

W2427BDRC
W2727BDRC
W3027BDRC
W3327BDRC
W3627BDRC

39" High (2 shelves)

W2439BDRC
W2739BDRC
W3039BDRC
W3339BDRC
W3639BDRC

24" High (1 shelf)

W2424BDRC
W2724BDRC
W3024BDRC
W3324BDRC
W3624BDRC

36" High (2 shelves)

W2436BDRC
W2736BDRC
W3036BDRC
W3336BDRC
W3636BDRC

21" High (1 shelf)

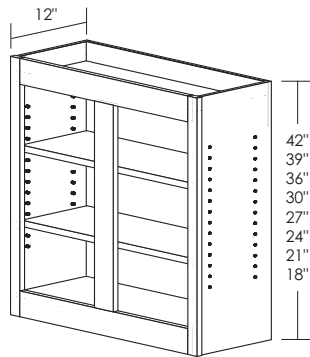
W2421BDRC
W2721BDRC
W3021BDRC
W3321BDRC
W3621BDRC

30" High (2 shelves)

W2430BDRC
W2730BDRC
W3030BDRC
W3330BDRC
W3630BDRC

WALL CABINETS

AD = Altered depth option



WALL BOOK SHELF CABINETS WITH RECESSED BOTTOM

- Adjustable shelves
- Color matching interior
- Rails are 3" which provide a 2-5/16" recess
- **AD 15"**

42" High (3 shelves)

WBS1242RC
WBS1542RC
WBS1842RC
WBS2142RC
WBS2442RC
WBS2742RC
WBS3042RC
WBS3342RC

27" High (1 shelf)

WBS1227RC
WBS1527RC
WBS1827RC
WBS2127RC
WBS2427RC
WBS2727RC
WBS3027RC
WBS3327RC

39" High (2 shelves)

WBS1239RC
WBS1539RC
WBS1839RC
WBS2139RC
WBS2439RC
WBS2739RC
WBS3039RC
WBS3339RC

24" High (1 shelf)

WBS1224RC
WBS1524RC
WBS1824RC
WBS2124RC
WBS2424RC
WBS2724RC
WBS3024RC
WBS3324RC

36" High (2 shelves)

WBS1236RC
WBS1536RC
WBS1836RC
WBS2136RC
WBS2436RC
WBS2736RC
WBS3036RC
WBS3336RC

21" High (1 shelf)

WBS1221RC
WBS1521RC
WBS1821RC
WBS2121RC
WBS2421RC
WBS2721RC
WBS3021RC
WBS3321RC

30" High (2 shelves)

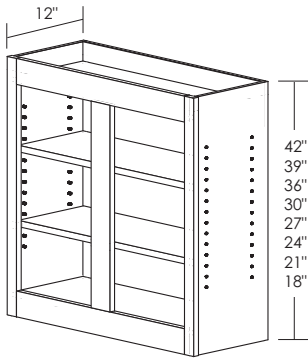
WBS1230RC
WBS1530RC
WBS1830RC
WBS2130RC
WBS2430RC
WBS2730RC
WBS3030RC
WBS3330RC

18" High (No shelf)

WBS1218RC
WBS1518RC
WBS1818RC
WBS2118RC
WBS2418RC
WBS2718RC
WBS3018RC
WBS3318RC

WALL CABINETS

AD = Altered depth option



DOUBLE WALL BOOK SHELF CABINETS WITH RECESSED BOTTOM

- Adjustable shelves
- Color matching interior
- Rails are 3" which provide a 2-5/16" recess
- **AD 15"**

42" High (3 shelves)

WBS3642RC
WBS3942RC
WBS4242RC
WBS4542RC
WBS4842RC

27" High (1 shelf)

WBS3627RC
WBS3927RC
WBS4227RC
WBS4527RC
WBS4827RC

39" High (2 shelves)

WBS3639RC
WBS3939RC
WBS4239RC
WBS4539RC
WBS4839RC

24" High (1 shelf)

WBS3624RC
WBS3924RC
WBS4224RC
WBS4524RC
WBS4824RC

36" High (2 shelves)

WBS3636RC
WBS3936RC
WBS4236RC
WBS4536RC
WBS4836RC

21" High (1 shelf)

WBS3621RC
WBS3921RC
WBS4221RC
WBS4521RC
WBS4821RC

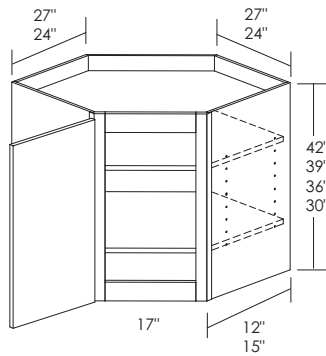
30" High (2 shelves)

WBS3630RC
WBS3930RC
WBS4230RC
WBS4530RC
WBS4830RC

18" High (No shelf)

WBS3618RC
WBS3918RC
WBS4218RC
WBS4518RC
WBS4818RC

WALL CABINETRY



CORNER WALL CABINETS WITH RECESSED BOTTOM

- Two hinges per door, except 42" high cabinets have three hinges per door
- Rails are 3" which provide a 2-5/16" recess.
- Specify L or R door hinging
- For full overlay door styles, it is recommended to use fillers on each side of cabinet to ensure proper door operation
- **CW27's are 15"D**

42" High (3 shelves)

CW2442RC L or R
CW2742RC L or R

36" High (2 shelves)

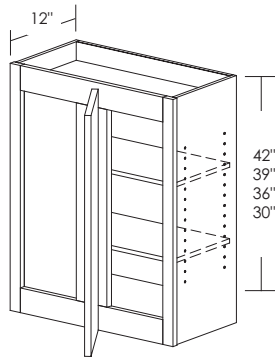
CW2436RC L or R
CW2736RC L or R

39" High (2 shelves)

CW2439RC L or R
CW2739RC L or R

30" High (2 shelves)

CW2430RC L or R
CW2730RC L or R



SINGLE DOOR BLIND WALL CABINETS WITH RECESSED BOTTOM

- Two hinges per door, except 42" high cabinets have three hinges per door
- Rails are 3" which provide a 2-5/16" recess.
- Specify L or R door hinging and blind location

42" High (3 shelves)

BW24/2742RC L or R
BW27/3042RC L or R
BW30/3342RC L or R
BW33/3642RC L or R
BW36/3942RC L or R

36" High (2 shelves)

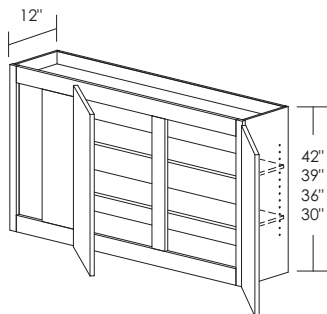
BW24/2736RC L or R
BW27/3036RC L or R
BW30/3336RC L or R
BW33/3636RC L or R
BW36/3936RC L or R

39" High (2 shelves)

BW24/2739RC L or R
BW27/3039RC L or R
BW30/3339RC L or R
BW33/3639RC L or R
BW36/3939RC L or R

30" High (2 shelves)

BW24/2730RC L or R
BW27/3030RC L or R
BW30/3330RC L or R
BW33/3630RC L or R
BW36/3930RC L or R



DOUBLE DOOR BLIND WALL CABINETS WITH RECESSED BOTTOM

- Two hinges per door, except 42" high cabinets have three hinges per door
- Rails are 3" which provide a 2-5/16" recess.
- Specify L or R blind location

42" High (3 shelves)

BW39/4242RC L or R
BW42/4542RC L or R
BW45/4842RC L or R
BW48/5142RC L or R

36" High (2 shelves)

BW39/4236RC L or R
BW42/4536RC L or R
BW45/4836RC L or R
BW48/5136RC L or R

39" High (2 shelves)

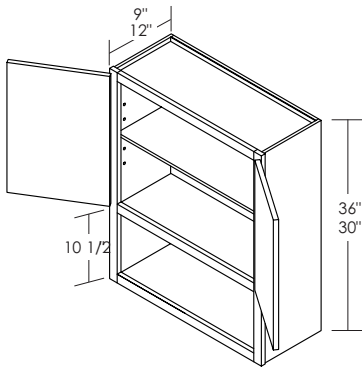
BW39/4239RC L or R
BW42/4539RC L or R
BW45/4839RC L or R
BW48/5139RC L or R

30" High (2 shelves)

BW39/4230RC L or R
BW42/4530RC L or R
BW45/4830RC L or R
BW48/5130RC L or R

WALL CABINETY

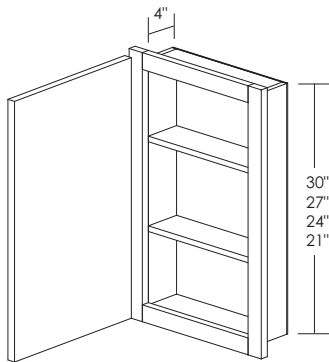
AD = Altered depth option



BUTT DOOR WALL LINEN SHELF

- Two hinges per door
- Comes with color matching interior
- Single adjustable shelf behind upper doors
- 10-1/2" high open shelf on bottom section
- **AD 9"**

WLS2430BD
WLS2436BD



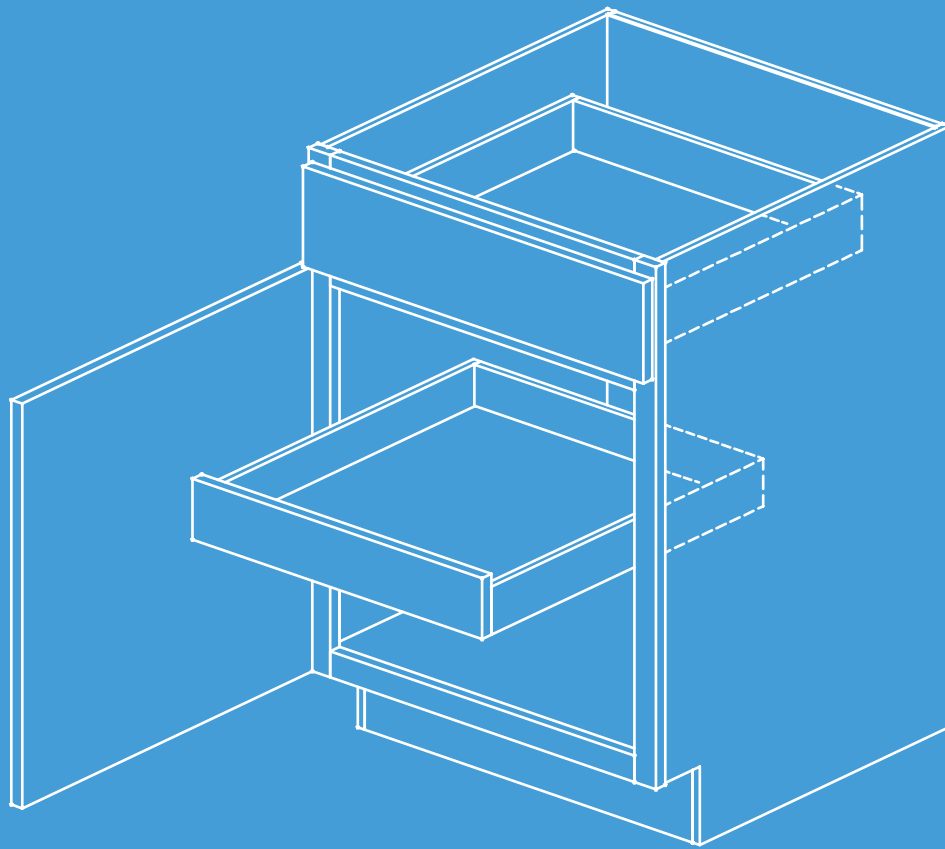
MEDICINE CABINET

- Recessed cabinet
- Two hinges per door
- Specify L or R door hinging
- Comes with two 1/2" thick adjustable shelves
- Cut out dimensions are 1" smaller than cabinet dimensions

CUT OUT DIMENSIONS

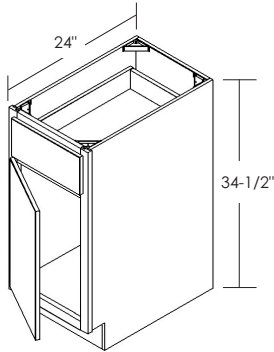
	W	H
MCR1530 L or R	14"	29"
MCR1527 L or R	14"	26"
MCR1524 L or R	14"	23"
MCR1521 L or R	14"	20"

FRAMED BASES



BASE CABINETRY

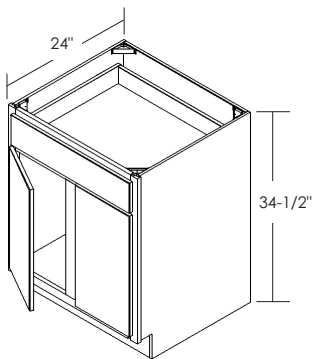
Cabinet Height: 34-1/2". Toe Kick Height: 4-1/2".



BASE SINGLE DOOR AND DRAWER

- Two hinges per door
- Specify L or R door hinging
- Comes with adjustable half depth shelf
- **AD 21"**
- **FDS**
- **Base fronts available for all sizes, order as BF12 L or R for example**

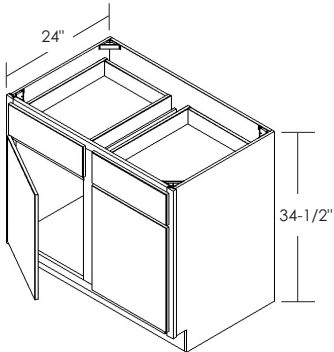
B12 L or R
 B15 L or R
 B18 L or R
 B21 L or R
 B24 L or R



BASE DOUBLE DOOR AND SINGLE DRAWER

- Two hinges per door
- Comes with adjustable half depth shelf
- **AD 21"**
- **FDS**
- **Base fronts available for all sizes, order as BF27 for example**

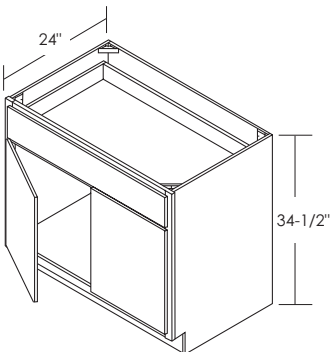
B27



BASE DOUBLE DOOR AND DOUBLE DRAWER

- Two hinges per door
- Comes with adjustable half depth shelf
- **AD 21"**
- **FDS**
- **Base fronts available for all sizes, order as BF30 for example**

B30
 B33
 B36
 B39
 B42
 B45
 B48



BASE BUTT DOOR AND WIDE SINGLE DRAWER

- Two hinges per door
- Comes with adjustable half depth shelf
- **AD 21"**
- **FDS**
- **Base fronts available for all sizes, order as BF24BD for example**

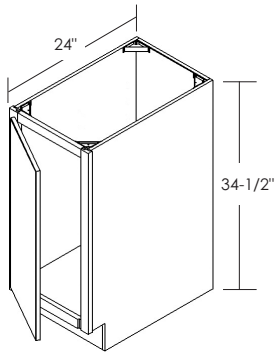
B24BD
 B27BD
 B30BD
 B33BD
 *B36BD

*FDS is not available on B36BD

AD = Altered depth option
FDS = Full depth shelf option

BASE CABINERY

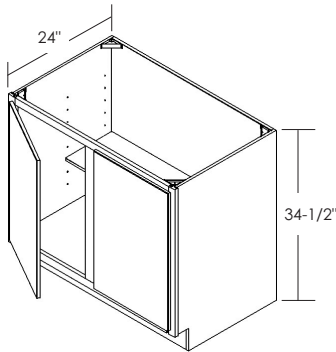
Cabinet Height: 34-1/2". Toe Kick Height: 4-1/2".



BASE FULL HEIGHT SINGLE DOOR

- Two hinges per door
- Specify L or R door hinging
- Comes with adjustable half depth shelf
- **AD 12", 15", 18" or 21"**
- **FDS**
- **Base fronts available for all sizes, order as BF09FH for example**
- * **When ordered in Canyon and Shelby, the door will be a slab style**

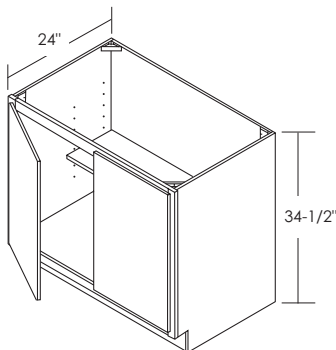
* B09FH L or R
 B12FH L or R
 B15FH L or R
 B18FH L or R
 B21FH L or R
 B24FH L or R



BASE FULL HEIGHT DOUBLE DOOR

- Two hinges per door
- Comes with adjustable half depth shelf
- **AD 12", 15", 18" or 21"**
- **FDS**
- **Base fronts available for all sizes, order as BF27FH for example**

B27FH
 B30FH
 B33FH
 B36FH
 B39FH
 B42FH
 B45FH
 B48FH



BASE FULL HEIGHT BUTT DOOR

- Two hinges per door
- Comes with adjustable half depth shelf
- **AD 12", 15", 18" or 21"**
- **FDS**
- **Base fronts available for all sizes, order as BF24BDFH for example**

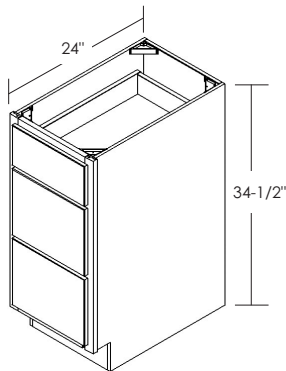
B24BDFH
 B27BDFH
 B30BDFH
 B33BDFH
 *B36BDFH

*FDS is not available on B36BDFH

AD = Altered depth option

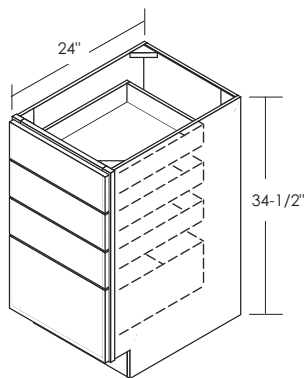
Cabinet Height: 34-1/2". Toe Kick Height: 4-1/2".

BASE CABINETRY



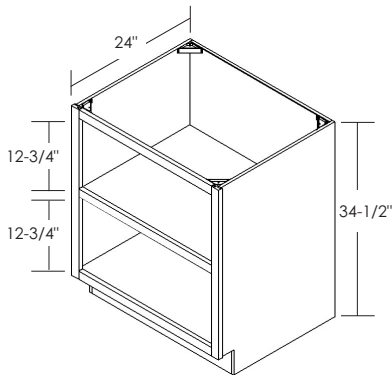
THREE DRAWER BASE

- One standard height drawer on top and two deep drawers on bottom
 - **AD 21"**
 - **Base fronts available for all sizes, order as DBF12-3 for example**
- DB12-3
DB15-3
DB18-3
DB21-3
DB24-3
DB27-3
DB30-3
DB33-3
DB36-3



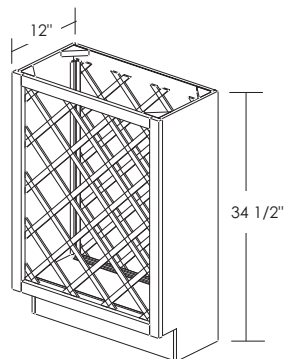
FOUR DRAWER BASE

- Three standard height drawers on top and one deep bottom drawer
 - **AD 21"**
 - **Base fronts available for all sizes, order as DBF12-4 for example**
- DB12-4
DB15-4
DB18-4
DB21-4
DB24-4
DB27-4
DB30-4
DB33-4
DB36-4



BASE BOOKSHELF

- Two equal openings
 - Color matching interior
 - Fixed full depth shelf
 - **AD 12", 18", or 21"**
- BBS18
BBS21
BBS24
BBS27
BBS30



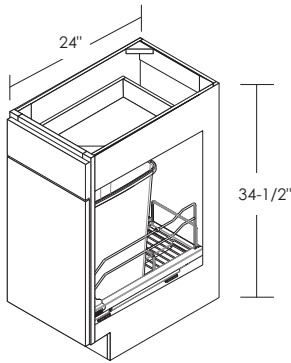
BASE LATTICE WINE RACK

- Color matching interior

WIDTH	BOTTLE CAPACITY
B18WRL	12
B21WRL	17
B24WRL	17

BASE CABINERY

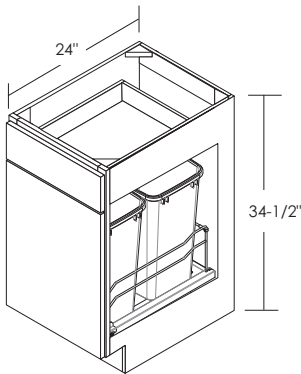
Cabinet Height: 34-1/2". Toe Kick Height: 4-1/2".



BASE WITH SINGLE WASTEBASKET BIN PULL OUT

- Door is attached to wastebasket guides and opens as drawer
- 35 qt. removable trash container
- Integrated full extension soft-close guide system

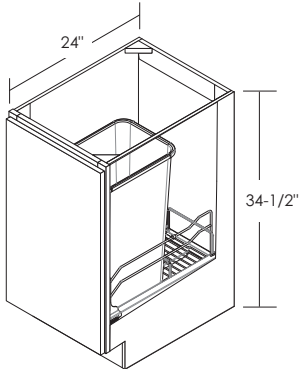
B15WBS



BASE WITH DOUBLE WASTEBASKET BIN PULL OUT

- Door is attached to wastebasket guides and opens as drawer
- Two 35 qt. removable trash containers
- Integrated full extension soft-close guide system

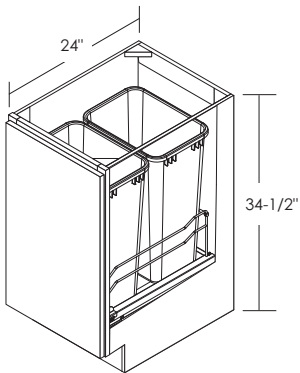
B18WBD



BASE FULL HEIGHT WITH SINGLE WASTEBASKET BIN PULL OUT

- Door is attached to wastebasket guides and opens as drawer
- 50 qt. removable trash container
- Integrated full extension soft-close guide system

B15FWBS



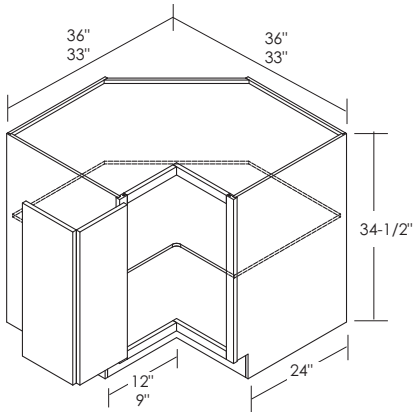
BASE FULL HEIGHT WITH DOUBLE WASTEBASKET BIN PULL OUT

- Door is attached to wastebasket guides and opens as drawer
- Two 50 qt. removable trash containers
- Integrated full extension soft-close guide system

B18FWBD
B21FWBD

BASE CABINETRY

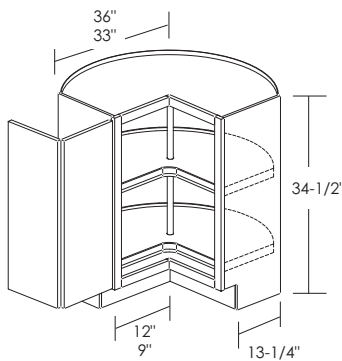
Cabinet Height: 34-1/2". Toe Kick Height: 4-1/2".



BASE EASY REACH

- Two hinges per door
- Bifold doors are hinged together
- Specify L or R door hinging
- Comes with one adjustable full depth shelf
- This cabinet is not intended to be used at the end of a cabinet run
- Soft-close hinge is not available for this cabinet
- **NOTE: If cabinet is installed next to an appliance that is deeper than 25", it may interfere with door opening. Use of a filler or a BRP end panel between the cabinet and appliance is recommended.**
- **BER33 will have slab doors for the following routed styles: Canyon, Channing, Covington, Ridgeland, Rosser, Savoy, Shelby and Vancouver**

BER33x24 L or R
BER36x24 L or R



BASE LAZY SUSAN

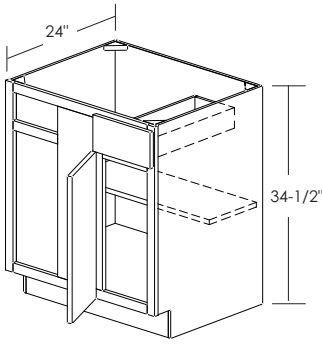
- Two hinges per door
- Bifold doors are hinged together
- Specify L or R door hinging
- Two high impact 23-1/2" diameter white plastic shelves that rotate independently of each other
- Top shelf height is adjustable
- This cabinet is not intended to be used at the end of a cabinet run
- Soft-close hinge is not available for this cabinet
- **NOTE: If cabinet is installed next to an appliance that is deeper than 25", it may interfere with door opening. Use of a filler or a BRP end panel between the cabinet and appliance is recommended.**
- **BLS33 will have slab doors for the following routed styles: Canyon, Channing, Covington, Ridgeland, Rosser, Savoy, Shelby and Vancouver**

BLS33 L or R
BLS36 L or R

FDS = Full depth shelf option

BASE CABINERY

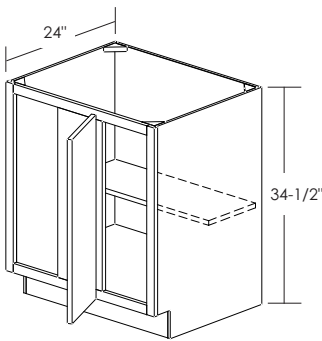
Cabinet Height: 34-1/2". Toe Kick Height: 4-1/2".



BLIND BASE WITH DRAWER

- Two hinges per door
- Specify L or R door hinging
- Comes with adjustable half depth shelf
- Must order filler separately
- **FDS**

- BB39/42 L or R
- BB42/45 L or R
- BB45/48 L or R
- BB48/51 L or R



BLIND BASE FULL HEIGHT DOOR

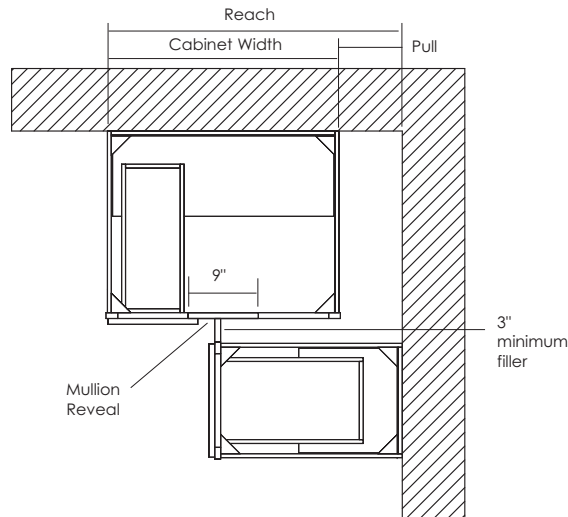
- Two hinges per door
- Specify L or R door hinging
- Comes with adjustable half depth shelf
- Must order filler separately
- **FDS**

* When ordered in Canyon and Shelby, the door will be a slab style

- * BB36/39FH L or R
- BB39/42FH L or R
- BB42/45FH L or R
- BB45/48FH L or R
- BB48/51FH L or R

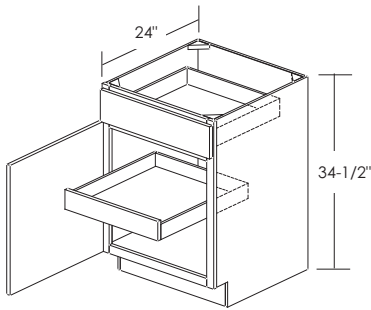
TYPICAL BLIND BASE LAYOUT

Item	Overall Cabinet Width	Replaces Cabinet and Filler for	Pull		Reach		MullionReveal	
			Min	Max	Min	Max	Min	Max
BB36/39	24	9	12	15	36	39	4.5	7.5
BB39/42	30	12	9	12	39	42	4.5	7.5
BB42/45	36	15	6	9	42	45	4.5	7.5
BB45/48	42	18	3	6	45	48	4.5	7.5
BB48/51	48	21	0	3	48	51	4.5	7.5



BASE CABINETRY

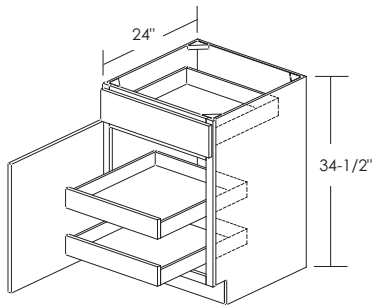
Cabinet Height: 34-1/2". Toe Kick Height: 4-1/2".



BASE SINGLE DOOR AND DRAWER WITH ONE ROLL OUT SHELF

- Two hinges per door
- Specify L or R door hinging
- One full depth shelf tray
- Soft-close upgrade does not apply to the roll out shelves

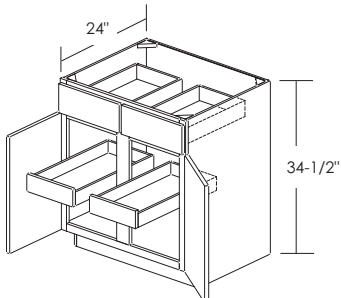
B12ROS L or R
B15ROS L or R
B18ROS L or R
B21ROS L or R
B24ROS L or R



BASE SINGLE DOOR AND DRAWER WITH TWO ROLL OUT SHELVES

- Two hinges per door
- Specify L or R door hinging
- Two full depth shelf trays
- Soft-close upgrade does not apply to the roll out shelves

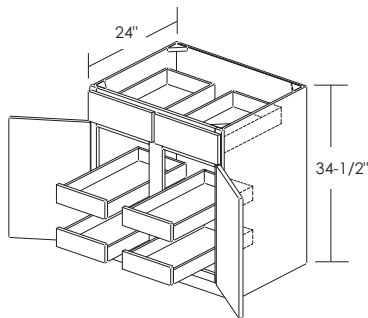
B12ROS2 L or R
B15ROS2 L or R
B18ROS2 L or R
B21ROS2 L or R
B24ROS2 L or R



BASE DOUBLE DOOR AND DRAWER WITH TWO ROLL OUT SHELVES

- Two hinges per door
- Two full depth shelf trays
- Soft-close upgrade does not apply to the roll out shelves

B27ROS2
B30ROS2
B33ROS2
B36ROS2
B39ROS2
B42ROS2



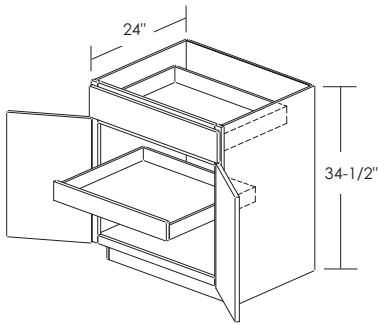
BASE DOUBLE DOOR AND DRAWER WITH FOUR ROLL OUT SHELVES

- Two hinges per door
- Four full depth shelf trays
- Soft-close upgrade does not apply to the roll out shelves

B27ROS4
B30ROS4
B33ROS4
B36ROS4
B39ROS4
B42ROS4

BASE CABINETRY

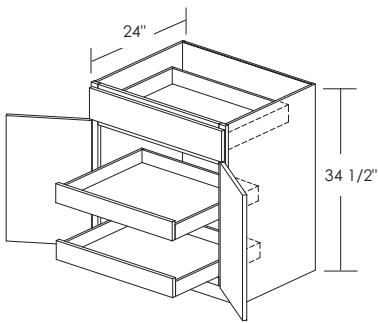
Cabinet Height: 34-1/2". Toe Kick Height: 4-1/2".



BASE BUTT DOOR WITH SINGLE WIDE DRAWER AND ROLL OUT SHELF

- Two hinges per door
- One full depth shelf tray
- Soft-close upgrade does not apply to the roll out shelves

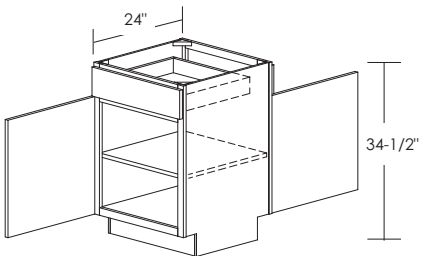
B24BDROS
B27BDROS
B30BDROS
B33BDROS



BASE BUTT DOOR WITH SINGLE WIDE DRAWER AND TWO ROLL OUT SHELVES

- Two hinges per door
- Two full depth shelf tray
- Soft-close upgrade does not apply to the roll out shelves

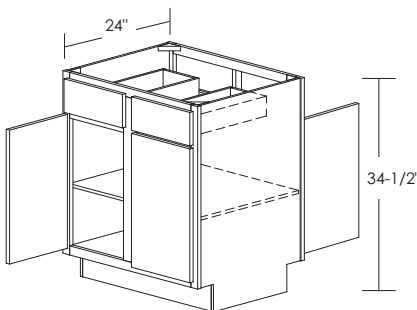
B24BDROS2
B27BDROS2
B30BDROS2
B33BDROS2



SINGLE DOOR AND DRAWER PENINSULA BASE

- Two hinges per door
- Specify L or R door hinging
- Comes with one adjustable full depth shelf
- Single door and drawer in front; single door and dummy drawer front in rear

PB24 L or R



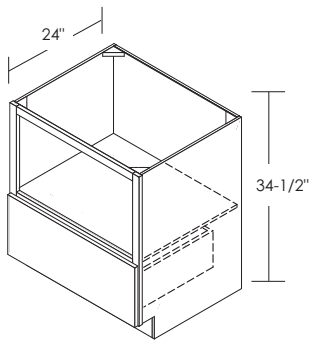
DOUBLE DOOR AND DRAWER PENINSULA BASE

- Two hinges per door
- Comes with one adjustable full depth shelf
- Double doors and drawers in front; double doors and double dummy drawer fronts in rear

PB30
PB36
PB42

BASE CABINETRY

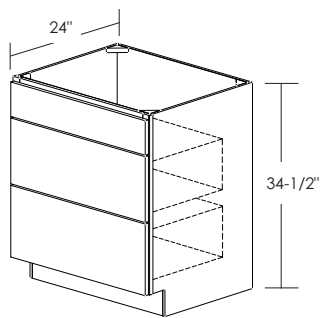
Cabinet Height: 34-1/2". Toe Kick Height: 4-1/2".



BASE MICROWAVE

- One deep bottom drawer
- Comes with a matching finished interior
- Not designed for use with trim kit
- **Refer to appliance manufacturer specifications for proper clearance and ventilation requirements**

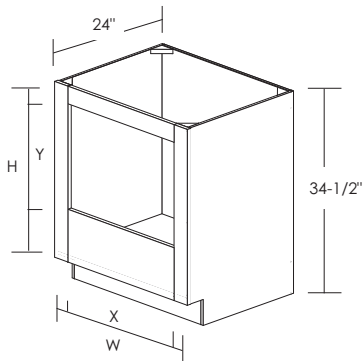
	OPENING SIZE
BMC27	15-3/4" H x 24" W
BMC30	15-3/4" H x 27" W
BMC33	15-3/4" H x 30" W



DRAWER BASE RANGE

- One false drawer front on top and two deep drawers on bottom
- Designed for use with drop-in cooktop
- **Refer to appliance manufacturer specifications for proper clearance and ventilation requirements**

DBR30
DBR36



BASE OVEN CABINET

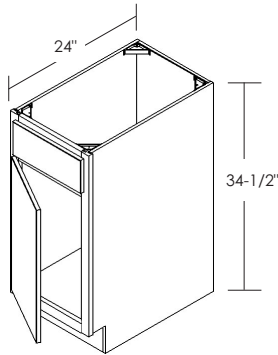
- Designed for installing single oven beneath the countertop
- 3" Stiles
- **Refer to the appliance manufacturer's specifications for required clearances and materials needed for installation**

	X = OPENING WIDTH	W = MAX CUT-OUT WIDTH	Y = OPENING HEIGHT	H = MAX CUT-OUT HEIGHT
BOV27	21"	25-1/2"	18"	28"
BOV30	24"	28-1/2"	18"	28"
BOV33	27"	31-1/2"	18"	28"

BASE CABINETRY

AD = Altered depth option

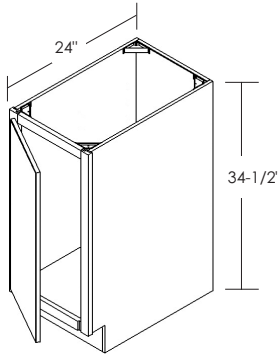
Cabinet Height: 34-1/2". Toe Kick Height: 4-1/2".



SINGLE DOOR SINK BASE

- Two hinges per door
- Specify L or R door hinging
- One false front
- Sink base fronts available for all sizes, order as SBF18 L or R for example
- **AD 15", 18", or 21"**

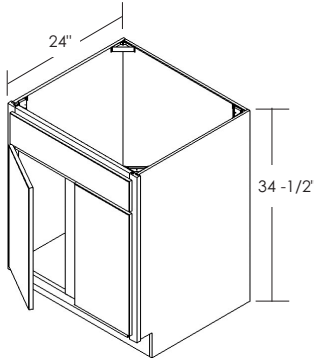
SB18 L or R
SB21 L or R
SB24 L or R



SINGLE DOOR FULL HEIGHT SINK BASE

- Two hinges per door
- Specify L or R door hinging
- Sink base fronts available for all sizes, order as SBF18FH for example
- **AD 15", 18", or 21"**

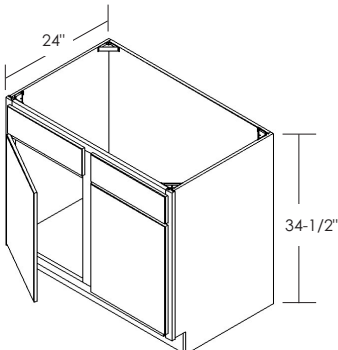
SB18FH L or R
SB21FH L or R
SB24FH L or R



DOUBLE DOOR SINK BASE WITH SINGLE DRAWER FRONT

- Two hinges per door
- One false front
- Sink base front available order as SBF27
- **AD 15", 18", or 21"**

SB27



DOUBLE DOOR SINK BASE

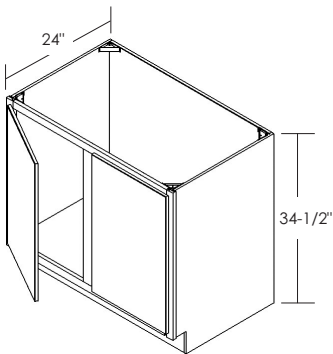
- Two hinges per door
- Two false fronts
- Sink base fronts available for all sizes, order as SBF30 for example
- **AD 15", 18", or 21"**

SB30
SB33
SB36
SB39
SB42
SB45
SB48

AD = Altered depth option

Cabinet Height: 34-1/2". Toe Kick Height: 4-1/2".

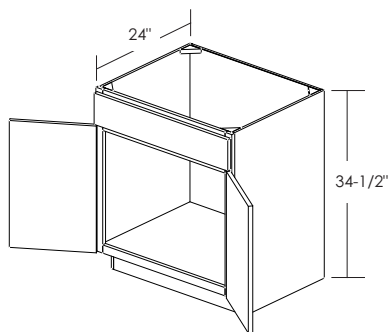
BASE CABINETRY



DOUBLE DOOR FULL HEIGHT SINK BASE

- Two hinges per door
- Sink base fronts available for all sizes, order as SBF27FH for example
- **AD 15", 18", or 21"**

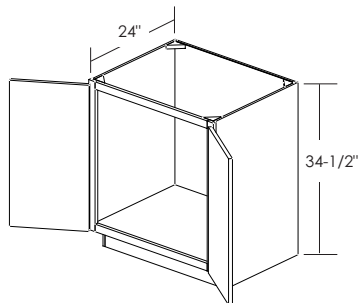
SB27FH
SB30FH
SB33FH
SB36FH
SB39FH
SB42FH
SB45FH
SB48FH



BUTT DOOR SINK BASE

- Two hinges per door
- One wide false front
- Sink base fronts available for all sizes, order as SBF24BD for example
- **AD 15", 18", or 21"**

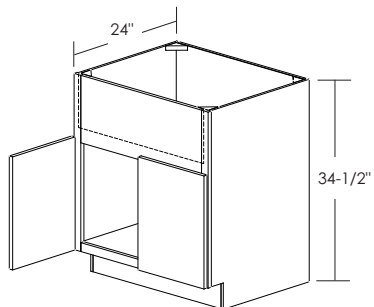
SB24BD
SB27BD
SB30BD
SB33BD
SB36BD



BUTT DOOR FULL HEIGHT SINK BASE

- Two hinges per door
- Sink base fronts available for all sizes, order as SBF24BDFH for example
- **AD 15", 18", or 21"**

SB24BDFH
SB27BDFH
SB30BDFH
SB33BDFH
SB36BDFH



DEEP SINK BASE

- Two hinges per door
- Can be used with deep sink or drop-in cook top
- Sink base fronts available for all sizes, order as DSBF30BD for example
- **Refer to appliance manufacturer specifications for proper clearance and ventilation requirements**
- **AD 21"**

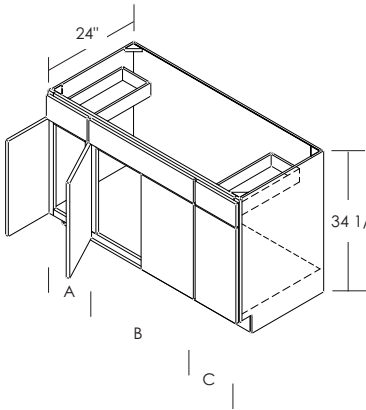
DSB30BD
DSB33BD
DSB36BD

MAXIMUM CUT OUT DIMENSIONS		
CABINET	MAX WIDTH	MAX HEIGHT
DSB30BD	28"	9"
DSB33BD	31"	9"
DSB36BD	34"	9"

BASE CABINETRY

AD = Altered depth option

Cabinet Height: 34-1/2". Toe Kick Height: 4-1/2".

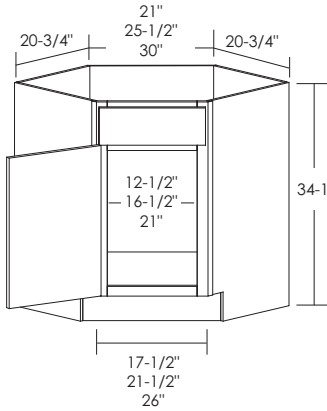


BUTT DOOR SINK BASE COMBINATION

- Two hinges per door
- One standard depth drawer on each side with one false front center
- **AD 21"**

SBC54BD
SBC60BD

	A	B	C
SBC54BD	12"	30"	12"
SBC60BD	15"	30"	15"



SINK BASE DIAGONAL

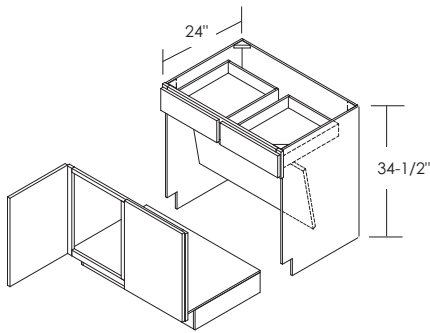
- Two hinges per door
- Specify L or R door hinging
- One false front

SBD36 L or R
SBD39 L or R
SBD42 L or R

AD = Altered depth option

Cabinet Height: 34-1/2". Toe Kick Height: 4-1/2".

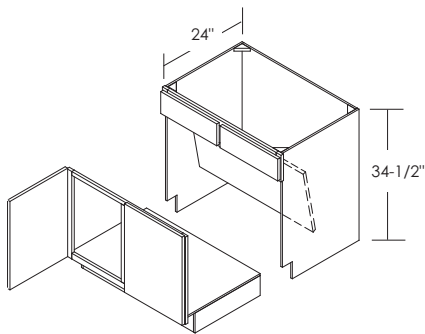
BASE CABINETRY



ACCESSIBLE BASE

- Two hinges per door
- Two drawers
- Comes standard with a matching interior
- **AD 21"**

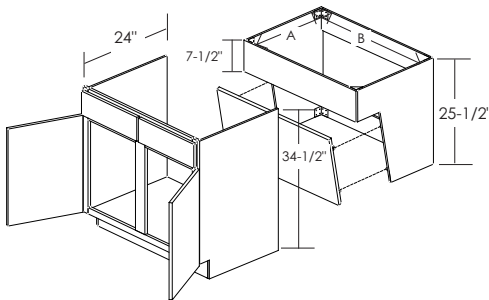
ACB33
ACB36
ACB39
ACB42



ACCESSIBLE SINK BASE

- Two hinges per door
- Two false fronts
- Comes standard with a matching interior
- **AD 21"**

ACSB33
ACSB36
ACSB39
ACSB42
ACSB45
ACSB48

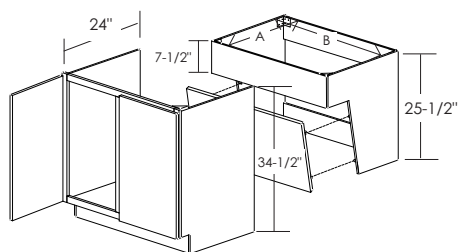


UFAS SINK BASE AND INSERT

- Two hinges per door
- Two false fronts
- Removable option when 30" or less is available
- Outer cabinet is removable when needed to leave UFAS insert attached to wall
- Designed to meet minimum adaptable clearance requirements
- Customer should confirm sink opening dimension requirements. A rear overflow sink maybe necessary
- Insert can be trimmed in field to meet local codes
- Baffle matches exterior finish
- **AD 21"**

UFASSB30
UFASSB33
UFASSB36

Cabinet	Depth	Sink Clearance	
		A	B
UFASSB30	24"	21-1/2"	27"
	21"	18-1/2"	27"
UFASSB33	24"	21-1/2"	30"
	21"	18-1/2"	30"
UFASSB36	24"	21-1/2"	33"
	21"	18-1/2"	33"



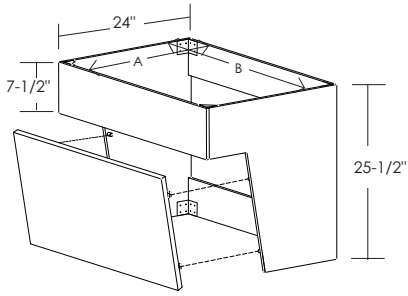
UFAS FULL HEIGHT SINK BASE AND INSERT

- Two hinges per door
- Removable option when 30" or less is available
- Outer cabinet is removable when needed to leave UFAS insert attached to wall
- Recommended installation height of 34-1/2" to provide required knee and toe clearance
- Customer should confirm sink opening dimension requirements. A rear overflow sink maybe necessary
- Designed to meet minimum adaptable clearance requirements
- Insert can be trimmed in field to meet local codes
- Baffle matches exterior finish
- **AD 21"**

UFASSB30FH
UFASSB33FH
UFASSB36FH

Cabinet	Depth	Sink Clearance	
		A	B
UFASSB30FH	24"	21-1/2"	27"
	21"	18-1/2"	27"
UFASSB33FH	24"	21-1/2"	30"
	21"	18-1/2"	30"
UFASSB36FH	24"	21-1/2"	33"
	21"	18-1/2"	33"

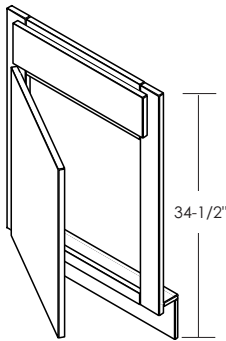
BASE CABINTRY



UFAS SINK BASE INSERT ONLY

- Baffle is removable for plumbing access
- Recommended installation height of 34-1/2" to provide required knee and toe clearance
- Customer should confirm sink opening dimension requirements. A rear overflow sink may be necessary
- Insert can be trimmed in field to meet local codes
- Baffle matches exterior finish
- **AD 21"**

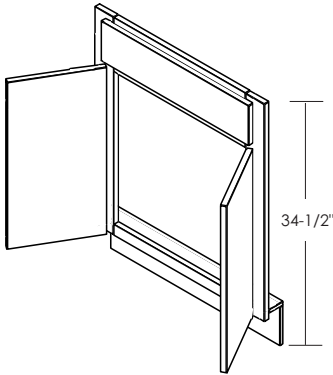
Cabinet	Depth	Sink Clearance	
		A	B
UFASIOB30	24"	22-1/2"	28-1/2"
UFASIOB30	21"	19-1/2"	28-1/2"
UFASIOB33	24"	22-1/2"	31-1/2"
UFASIOB33	21"	19-1/2"	31-1/2"
UFASIOB36	24"	22-1/2"	34-1/2"
UFASIOB36	21"	19-1/2"	34-1/2"



SINGLE DOOR TRIMMABLE SINK FRONTS

- Two hinges per door
- Specify L or R door hinging
- Trimmable 1-1/2" each side
- One false front

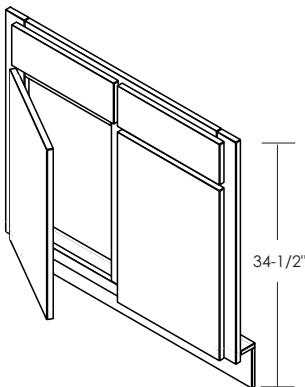
- SF12T L or R
- SF15T L or R
- SF18T L or R
- SF21T L or R
- SF24T L or R



BUTT DOOR TRIMMABLE SINK FRONTS

- Two hinges per door
- Trimmable 1-1/2" each side
- One false front

- SF27BDT
- SF30BDT
- SF33BDT
- SF36BDT



DOUBLE DOOR TRIMMABLE SINK FRONTS

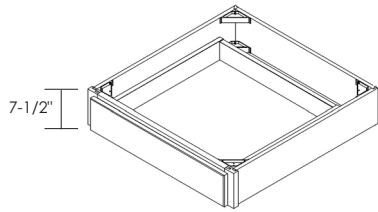
- Two hinges per door
- Trimmable 1-1/2" each side
- Two false fronts

- *SF30T
- SF33T
- SF36T
- SF39T
- SF42T
- SF45T
- SF48T

*SF30T has one false front

BASE CABINTRY

DRAWER SKIRT



- 7-1/2" high drawer skirt

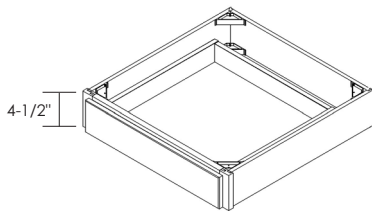
21" Deep

DS1821
DS2121
DS2421
DS2721
DS3021
DS3621

24" Deep

DS1824
DS2124
DS2424
DS2724
DS3024
DS3624

PENCIL DRAWER SKIRT



- 4-1/2" high pencil drawer
- When ordered as a 5PC drawer style, the drawer head will be slab style

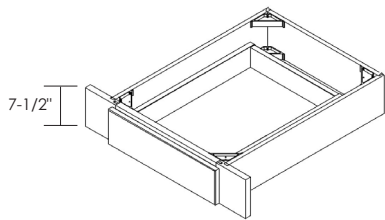
21" Deep

PD1821
PD2121
PD2421
PD2721
PD3021
PD3621

24" Deep

PD1824
PD2124
PD2424
PD2724
PD3024
PD3624

DRAWER SKIRT TRIMMABLE



- 7-1/2" high drawer skirt
- Trimmable 3" on each side

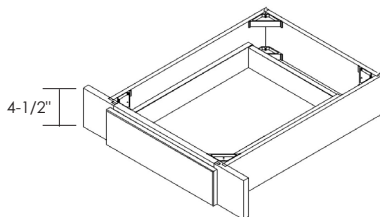
21" Deep

DST2121
DST2421
DST2721
DST3021
DST3621

24" Deep

DST2124
DST2424
DST2724
DST3024
DST3624

PENCIL DRAWER SKIRT TRIMMABLE



- 4-1/2" high pencil drawer
- Trimmable 3" on each side
- When ordered as a 5PC drawer style, the drawer head will be slab style

21" Deep

PDT2121
PDT2421
PDT2721
PDT3021
PDT3621

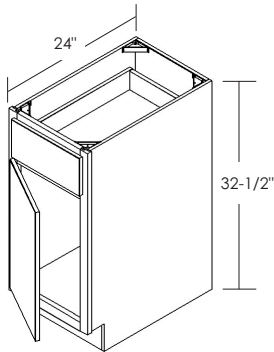
24" Deep

PDT2124
PDT2424
PDT2724
PDT3024
PDT3624

AD = Altered depth option
 FDS = Full depth shelf option

UNIVERSAL ACCESS BASE CABINETRY

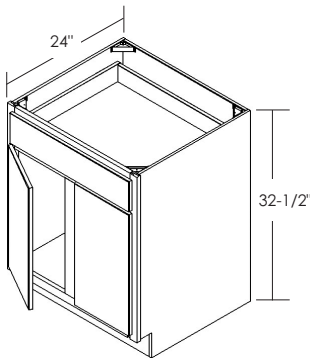
Cabinet Height: 32-1/2". Toe Kick Height: 5-1/2".



UNIVERSAL ACCESS BASE SINGLE DOOR AND DRAWER

- Two hinges per door
- Specify L or R door hinging
- Comes with adjustable half depth shelf
- Base fronts available for all sizes, order as HCBF12 L or R for example
- **AD 21"**
- **FDS**

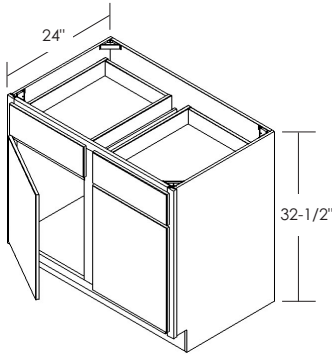
HCB09 L or R
 HCB12 L or R
 HCB15 L or R
 HCB18 L or R
 HCB21 L or R
 HCB24 L or R



UNIVERSAL ACCESS BASE DOUBLE DOOR AND SINGLE DRAWER

- Two hinges per door
- Comes with adjustable half depth shelf
- Base front available order as HCFB27
- **AD 21"**
- **FDS**

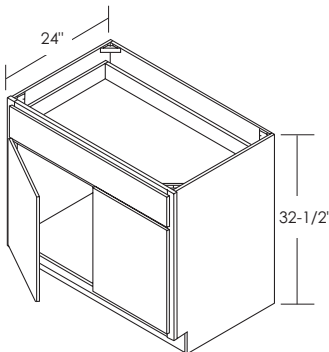
HCB27



UNIVERSAL ACCESS BASE DOUBLE DOOR AND DOUBLE DRAWER

- Two hinges per door
- Comes with adjustable half depth shelf
- Base fronts available for all sizes, order as HCBF30 for example
- **AD 21"**
- **FDS**

HCB30
 HCB33
 HCB36
 HCB39
 HCB42
 HCB45
 HCB48



UNIVERSAL ACCESS BASE BUTT DOOR AND WIDE SINGLE DRAWER

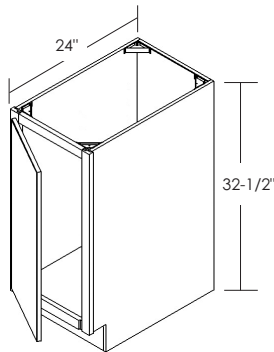
- Two hinges per door
- Comes with adjustable half depth shelf
- Base fronts available for all sizes, order as HCBF24BD for example
- **AD 21"**
- **FDS**

HCB24BD
 HCB27BD
 HCB30BD
 HCB33BD
 *HCB36BD

*FDS is not available on HCB36BD

UNIVERSAL ACCESS BASE CABINETRY

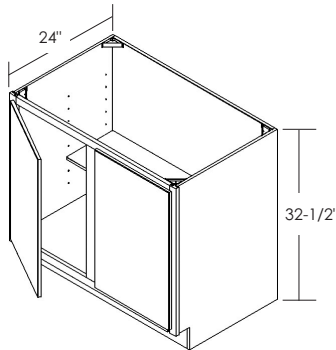
Cabinet Height: 32-1/2". Toe Kick Height: 5-1/2".



UNIVERSAL ACCESS BASE FULL HEIGHT SINGLE DOOR

- Two hinges per door
- Specify L or R door hinging
- Comes with adjustable half depth shelf
- Base fronts available for all sizes, order as HCBF09FH for example
- **AD 12", 15", 18" or 21"**
- **FDS**
- * **When ordered in Canyon and Shelby, the door will be a slab style**

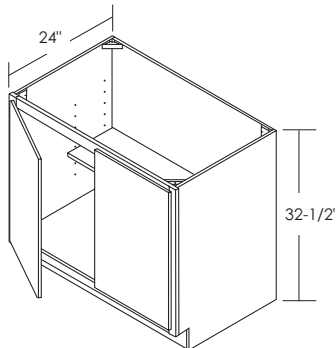
* HCB09FH L or R
 HCB12FH L or R
 HCB15FH L or R
 HCB18FH L or R
 HCB21FH L or R
 HCB24FH L or R



UNIVERSAL ACCESS BASE FULL HEIGHT DOUBLE DOOR

- Two hinges per door
- Comes with adjustable half depth shelf
- Base fronts available for all sizes, order as HCBF27FH for example
- **AD 12", 15", 18" or 21"**
- **FDS**

HCB27FH
 HCB30FH
 HCB33FH
 HCB36FH
 HCB39FH
 HCB42FH
 HCB45FH
 HCB48FH



UNIVERSAL ACCESS BASE FULL HEIGHT BUTT DOOR

- Two hinges per door
- Comes with adjustable half depth shelf
- Base fronts available for all sizes, order as HCBF24BDFH for example
- **AD 12", 15", 18" or 21"**
- **FDS**

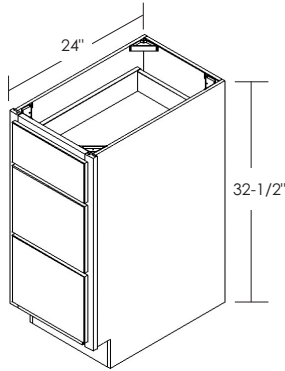
HCB24BDFH
 HCB27BDFH
 HCB30BDFH
 HCB33BDFH
 *HCB36BDFH

*FDS is not available on HCB36BDFH

AD = Altered depth option

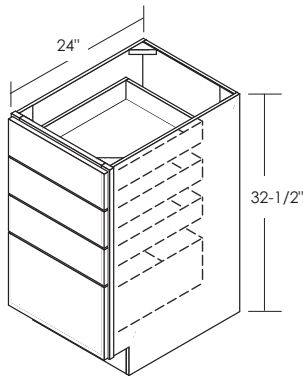
UNIVERSAL ACCESS BASE CABINETRY

Cabinet Height: 32- 1/2". Toe Kick Height: 5-1/2".

**UNIVERSAL ACCESS THREE DRAWER BASE**

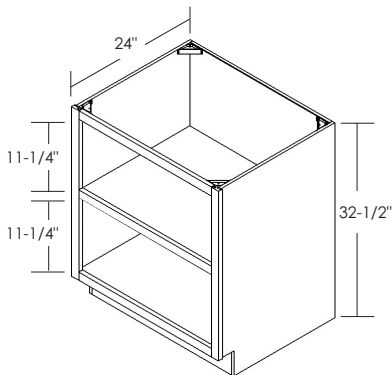
- One standard depth drawer on top and two deep drawers on bottom
- Base fronts available for all sizes, order as HCDBF12-3 for example
- **AD 21"**

HCDB12-3
 HCDB15-3
 HCDB18-3
 HCDB21-3
 HCDB24-3
 HCDB27-3
 HCDB30-3
 HCDB33-3
 HCDB36-3

**UNIVERSAL ACCESS FOUR DRAWER BASE**

- Three standard height drawers on top and one deep bottom drawer
- Base fronts available for all sizes, order as HCDBF12-4 for example
- **AD 21"**

HCDB12-4
 HCDB15-4
 HCDB18-4
 HCDB21-4
 HCDB24-4
 HCDB27-4
 HCDB30-4
 HCDB33-4
 HCDB36-4

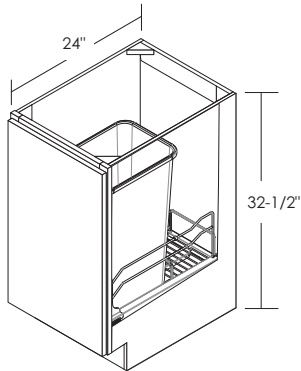
**UNIVERSAL ACCESS BASE BOOKSHELF**

- Two equal openings
- Color matching interior
- Fixed full depth shelf
- **AD 12", 18", or 21"**

HCBBS18
 HCBBS21
 HCBBS24
 HCBBS27
 HCBBS30

UNIVERSAL ACCESS BASE CABINETRY

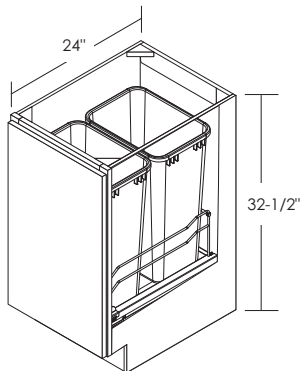
Cabinet Height: 32-1/2". Toe Kick Height: 5-1/2".



UNIVERSAL ACCESS BASE FULL HEIGHT WITH SINGLE WASTEBASKET BIN PULL OUT

- Door is attached to wastebasket guides and opens as drawer
- 50 qt. removable trash container
- Integrated full extension soft-close guide system

HCB15FHWS



UNIVERSAL ACCESS BASE FULL HEIGHT WITH DOUBLE WASTEBASKET BIN PULL OUT

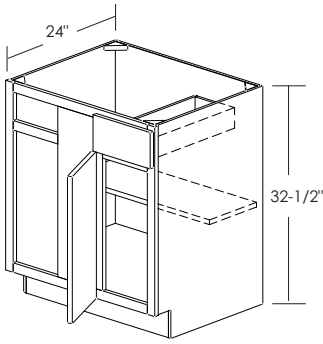
- Door is attached to wastebasket guides and opens as drawer
- Two 50 qt. removable trash containers
- Integrated full extension soft-close guide system

HCB18FHWD
HCB21FHWD

FDS = Full depth shelf option

UNIVERSAL ACCESS BASE CABINETRY

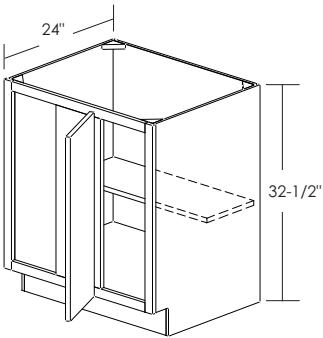
Cabinet Height: 32-1/2". Toe Kick Height: 5-1/2".



BLIND BASE WITH DRAWER

- Two hinges per door
- Specify L or R door hinging
- Comes with adjustable half depth shelf
- Must order filler separately
- **FDS**

HCBB39/42 L or R
 HCBB42/45 L or R
 HCBB45/48 L or R
 HCBB48/51 L or R



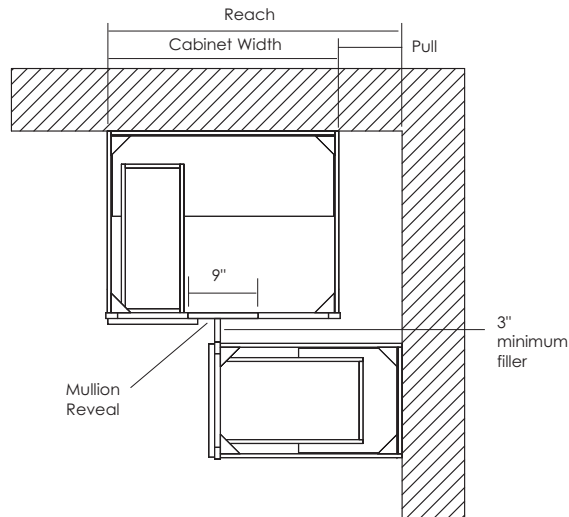
BLIND BASE FULL HEIGHT DOOR

- Two hinges per door
- Specify L or R door hinging
- Comes with adjustable half depth shelf
- Must order filler separately
- **FDS**
- * **When ordered in Canyon and Shelby, the door will be a slab style**

*HCBB36/39FH L or R
 HCBB39/42FH L or R
 HCBB42/45FH L or R
 HCBB45/48FH L or R
 HCBB48/51FH L or R

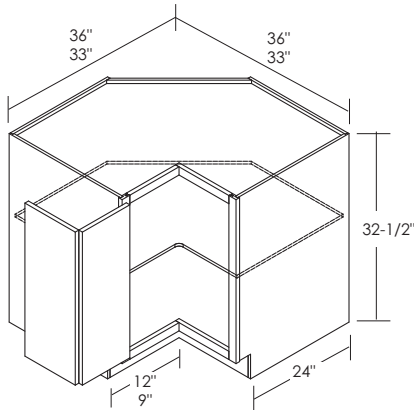
TYPICAL BLIND BASE LAYOUT

Item	Overall Cabinet Width	Replaces Cabinet and Filler for	Pull		Reach		Mullion/Reveal	
			Min	Max	Min	Max	Min	Max
HCBB36/39	24	9	12	15	36	39	4.5	7.5
HCBB39/42	30	12	9	12	39	42	4.5	7.5
HCBB42/45	36	15	6	9	42	45	4.5	7.5
HCBB45/48	42	18	3	6	45	48	4.5	7.5
HCBB48/51	48	21	0	3	48	51	4.5	7.5



UNIVERSAL ACCESS BASE CABINETRY

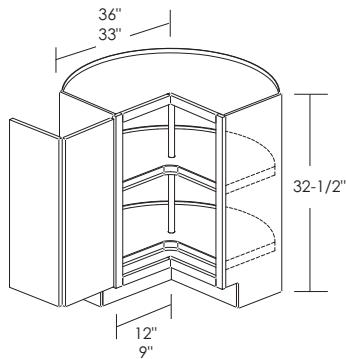
Cabinet Height: 32-1/2". Toe Kick Height: 5-1/2".



UNIVERSAL ACCESS BASE EASY REACH

- Two hinges per door
- Bifold doors are hinged together
- Specify L or R door hinging
- Comes with one adjustable full depth shelf
- This cabinet is not intended to be used at the end of a cabinet run
- Soft-close hinge is not available for this cabinet
- **NOTE: If cabinet is installed next to an appliance that is deeper than 25", it may interfere with door opening. Use of a filler or a BRP end panel between the cabinet and appliance is recommended.**
- **HCBER33 will have slab doors for the following routed styles: Canyon, Channing, Covington, Ridgeland, Rosser, Savoy, Shelby and Vancouver**

HCBER33x24 L or R
HCBER36x24 L or R



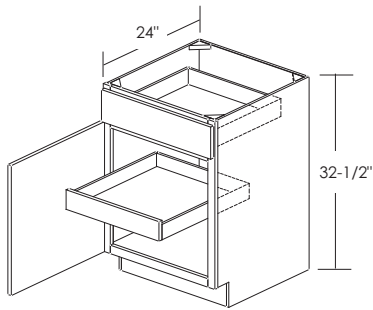
UNIVERSAL ACCESS BASE LAZY SUSAN

- Two hinges per door
- Bifold doors are hinged together
- Specify L or R door hinging
- Two high impact 23 1/2" diameter white plastic shelves that rotate independently of each other
- Top shelf height is adjustable
- This cabinet is not intended to be used at the end of a cabinet run
- Soft-close hinge is not available for this cabinet
- **NOTE: If cabinet is installed next to an appliance that is deeper than 25", it may interfere with door opening. Use of a filler or a BRP end panel between the cabinet and appliance is recommended.**
- **HCBL33 will have slab doors for the following routed styles: Canyon, Channing, Covington, Ridgeland, Rosser, Savoy, Shelby and Vancouver**

HCBL33 L or R
HCBL36 L or R

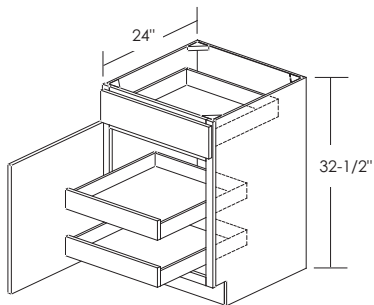
UNIVERSAL ACCESS BASE CABINETRY

Cabinet Height: 32-1/2". Toe Kick Height: 5-1/2".

**UNIVERSAL ACCESS BASE SINGLE DOOR AND DRAWER WITH ONE ROLL OUT SHELF**

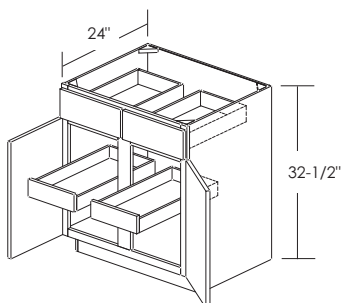
- Two hinges per door
- Specify L or R door hinging
- One full depth shelf tray
- Soft-close upgrade does not apply to the roll out shelves

HCB12ROS L or R
 HCB15ROS L or R
 HCB18ROS L or R
 HCB21ROS L or R
 HCB24ROS L or R

**UNIVERSAL ACCESS BASE SINGLE DOOR AND DRAWER WITH TWO ROLL OUT SHELVES**

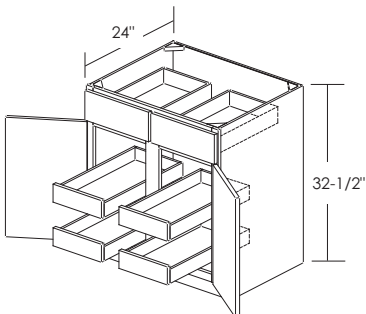
- Two hinges per door
- Specify L or R door hinging
- Two full depth shelf trays
- Soft-close upgrade does not apply to the roll out shelves

HCB12ROS2 L or R
 HCB15ROS2 L or R
 HCB18ROS2 L or R
 HCB21ROS2 L or R
 HCB24ROS2 L or R

**UNIVERSAL ACCESS BASE DOUBLE DOOR AND DRAWER WITH TWO ROLL OUT SHELVES**

- Two hinges per door
- Two full depth shelf trays
- Soft-close upgrade does not apply to the roll out shelves

HCB27ROS2
 HCB30ROS2
 HCB33ROS2
 HCB36ROS2
 HCB39ROS2
 HCB42ROS2

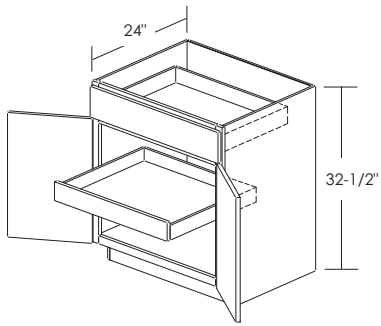
**UNIVERSAL ACCESS BASE DOUBLE DOOR AND DRAWER WITH FOUR ROLL OUT SHELVES**

- Two hinges per door
- Four full depth shelf trays
- Soft-close upgrade does not apply to the roll out shelves

HCB27ROS4
 HCB30ROS4
 HCB33ROS4
 HCB36ROS4
 HCB39ROS4
 HCB42ROS4

UNIVERSAL ACCESS BASE CABINETRY

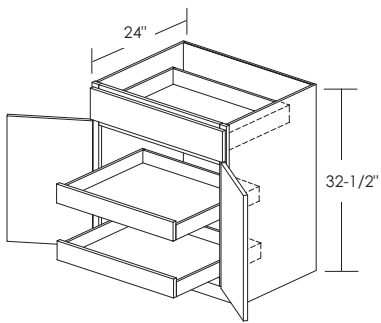
Cabinet Height: 32-1/2". Toe Kick Height: 5-1/2".



UNIVERSAL ACCESS BASE BUTT DOOR WITH SINGLE WIDE DRAWER AND ROLL OUT SHELF

- Two hinges per door
- One full depth shelf tray
- Soft-close upgrade does not apply to the roll out shelves

HCB24BDROS
 HCB27BDROS
 HCB30BDROS
 HCB33BDROS



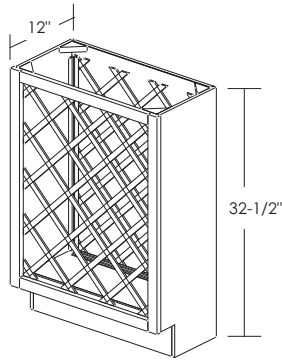
UNIVERSAL ACCESS BASE BUTT DOOR WITH SINGLE WIDE DRAWER AND TWO ROLL OUT SHELVES

- Two hinges per door
- Two full depth shelf tray
- Soft-close upgrade does not apply to the roll out shelves

HCB24BDROS2
 HCB27BDROS2
 HCB30BDROS2
 HCB33BDROS2

UNIVERSAL ACCESS BASE CABINETRY

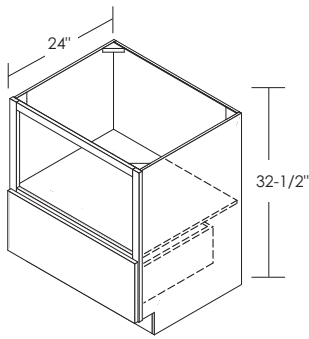
Cabinet Height: 32-1/2". Toe Kick Height: 5-1/2".



UNIVERSAL ACCESS BASE LATTICE WINE RACK

- Color matching interior

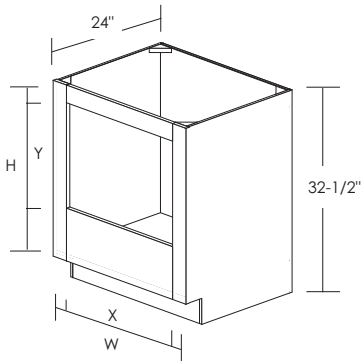
WIDTH	BOTTLE CAPACITY
HCB18WRL	9
HCB21WRL	15
HCB24WRL	15



UNIVERSAL ACCESS BASE MICROWAVE

- One deep bottom drawer
- Comes with a matching finished interior
- Not designed for use with trim kit

	OPENING SIZE
HCBMC27	13-3/4" H x 24" W
HCBMC30	13-3/4" H x 27" W
HCBMC33	13-3/4" H x 30" W



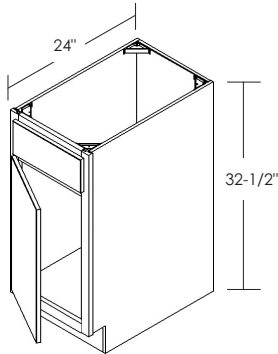
UNIVERSAL ACCESS BASE OVEN CABINET

- Designed for installing single oven beneath the countertop
- 3" Sfiles
- **Refer to the appliance manufacturer's specifications for required clearances and materials needed for installation**

	X = OPENING WIDTH	W = MAX CUT-OUT WIDTH	Y = OPENING HEIGHT	H = MAX CUT-OUT HEIGHT
HCBOV27	21"	25-1/2"	15"	25"
HCBOV30	24"	28-1/2"	15"	25"
HCBOV33	27"	31-1/2"	15"	25"

UNIVERSAL ACCESS BASE CABINETRY

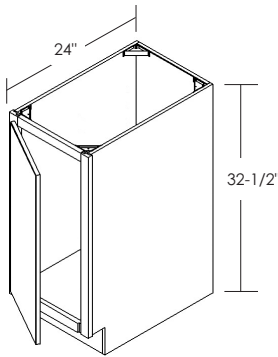
Cabinet Height: 32-1/2". Toe Kick Height: 5-1/2".



UNIVERSAL ACCESS SINGLE DOOR SINK BASE

- Two hinges per door
- Specify L or R door hinging
- One false front
- Sink base fronts available for all sizes, order as HCSBF18 L or R for example
- **AD 15", 18", or 21"**

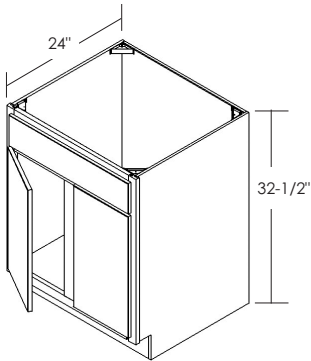
HCSB18 L or R
HCSB21 L or R
HCSB24 L or R



UNIVERSAL ACCESS SINGLE DOOR FULL HEIGHT SINK BASE

- Two hinges per door
- Specify L or R door hinging
- Sink base fronts available for all sizes, order as HCSBF18FH for example
- **AD 15", 18", or 21"**

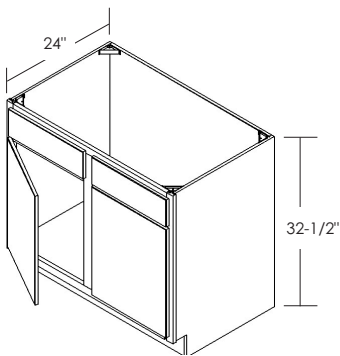
HCSB18FH L or R
HCSB21FH L or R
HCSB24FH L or R



UNIVERSAL ACCESS DOUBLE DOOR SINK BASE WITH SINGLE DRAWER FRONT

- Two hinges per door
- One false front
- Sink base front available order as HCSBF27
- **AD 15", 18", or 21"**

HCSB27



UNIVERSAL ACCESS DOUBLE DOOR SINK BASE

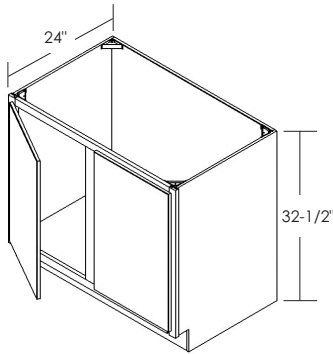
- Two hinges per door
- Two false fronts
- Sink base fronts available for all sizes, order as HCSBF30 for example
- **AD 15", 18", or 21"**

HCSB30
HCSB33
HCSB36
HCSB39
HCSB42
HCSB45
HCSB48

AD = Altered depth option

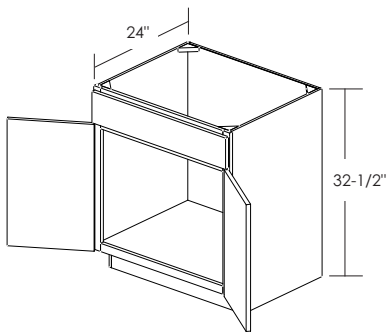
UNIVERSAL ACCESS BASE CABINETRY

Cabinet Height: 32-1/2". Toe Kick Height: 5-1/2".

**UNIVERSAL ACCESS DOUBLE DOOR FULL HEIGHT SINK BASE**

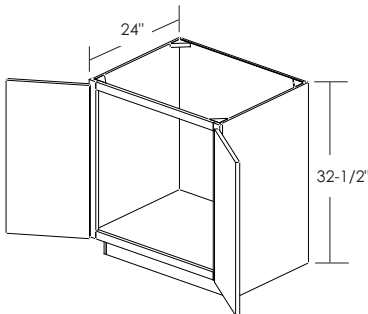
- Two hinges per door
- Sink base fronts available for all sizes, order as HCSBF30FH for example
- **AD 15", 18", or 21"**

HCSB27FH
HCSB30FH
HCSB33FH
HCSB36FH
HCSB39FH
HCSB42FH
HCSB45FH
HCSB48FH

**UNIVERSAL ACCESS BUTT DOOR SINK BASE**

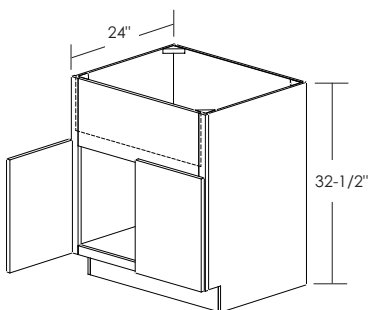
- Two hinges per door
- One wide false front
- Sink base fronts available for all sizes, order as HCSBF24BD for example
- **AD 15", 18", or 21"**

HCSB24BD
HCSB27BD
HCSB30BD
HCSB33BD
HCSB36BD

**UNIVERSAL ACCESS BUTT DOOR FULL HEIGHT SINK BASE**

- Two hinges per door
- Sink base fronts available for all sizes, order as HCSBF24BDFH for example
- **AD 15", 18", or 21"**

HCSB24BDFH
HCSB27BDFH
HCSB30BDFH
HCSB33BDFH
HCSB36BDFH

**UNIVERSAL ACCESS DEEP SINK BASE**

- Two hinges per door
- Can be used with deep sink or drop-in cook top
- Sink base fronts available for all sizes, order as HCDSBF30BD for example
- **AD 21"**
- **Refer to appliance manufacturer specifications for proper clearance and ventilation requirements**

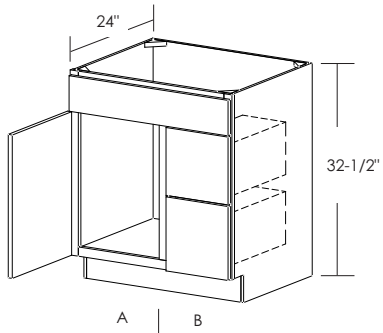
HCDSB30BD
HCDSB33BD
HCDSB36BD

NEW

AD = Altered depth option

Cabinet Height: 32-1/2". Toe Kick Height: 5-1/2".

UNIVERSAL ACCESS BASE CABINETRY

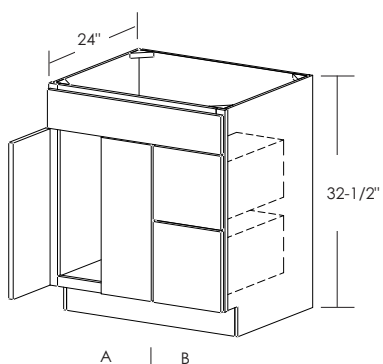


HCSDBC30L shown

UNIVERSAL ACCESS SINGLE DOOR SINK WITH TWO DRAWER BASE COMBINATION

- Two hinges per door
- One false front on top with two deep drawers below
- Specify L or R for door hinging and sink base location
- **AD 21"**

	A	B
HCSDBC30 L or R	18"	12"

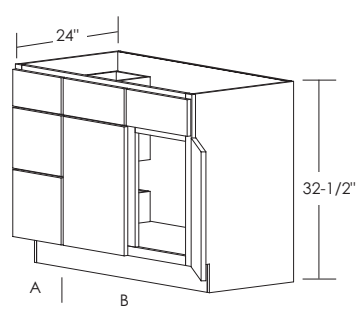


HCSDBC36BDL shown

UNIVERSAL ACCESS BUTT DOOR SINK WITH TWO DRAWER BASE COMBINATION

- Two hinges per door
- One false front on top with two deep drawers below
- HCSDBC42BD L or R will have two false fronts on top
- Specify L or R for sink base location
- **AD 21"**

	A	B
HCSDBC36BD L or R	24"	12"
HCSDBC42BD L or R	30"	12"

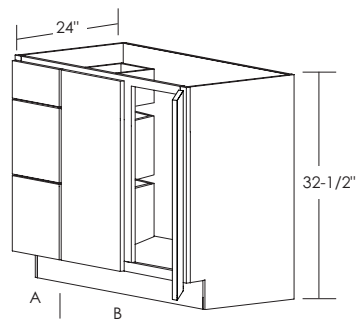


HCSDBC42R shown

UNIVERSAL ACCESS DOUBLE DOOR SINK WITH THREE DRAWER BASE COMBINATION

- Two hinges per door
- Two false fronts and one standard drawer and two deep drawers
- Specify L or R for sink base location
- **AD 21"**
- *** Comes with single false front over double doors**

	A	B		A	B
HCSDBC42 L or R	12"	30"	*HCSDBC42-DB15 L or R	15"	27"
HCSDBC45 L or R	12"	33"	HCSDBC45-DB15 L or R	15"	30"
HCSDBC48 L or R	12"	36"	HCSDBC48-DB15 L or R	15"	33"
HCSDBC51 L or R	12"	39"	HCSDBC51-DB15 L or R	15"	36"
HCSDBC54 L or R	12"	42"	HCSDBC54-DB15 L or R	15"	39"



HCSDBC42FHR shown

UNIVERSAL ACCESS FULL HEIGHT DOUBLE DOOR SINK WITH THREE DRAWER BASE COMBINATION

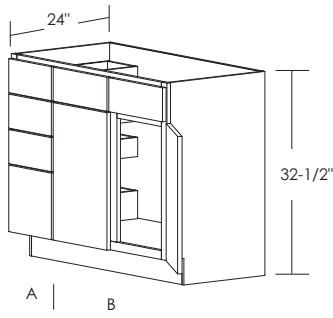
- Two hinges per door
- One standard drawer and two deep drawers
- Specify L or R for sink base location
- **AD 21"**

	A	B		A	B
HCSDBC42FH L or R	12"	30"	HCSDBC42FH-DB15 L or R	15"	27"
HCSDBC45FH L or R	12"	33"	HCSDBC45FH-DB15 L or R	15"	30"
HCSDBC48FH L or R	12"	36"	HCSDBC48FH-DB15 L or R	15"	33"
HCSDBC51FH L or R	12"	39"	HCSDBC51FH-DB15 L or R	15"	36"
HCSDBC54FH L or R	12"	42"	HCSDBC54FH-DB15 L or R	15"	39"

AD = Altered depth option

UNIVERSAL ACCESS BASE CABINETS

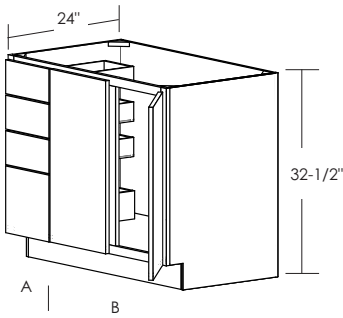
Cabinet Height: 32-1/2". Toe Kick Height: 5-1/2".



UNIVERSAL ACCESS COMBO DOUBLE DOOR SINK WITH FOUR DRAWER BASE

- Two hinges per door
- Two false fronts with three standard drawers and one deep drawer
- Specify L or R sink base location
- **AD 21"**
- * Comes with single false front over double doors

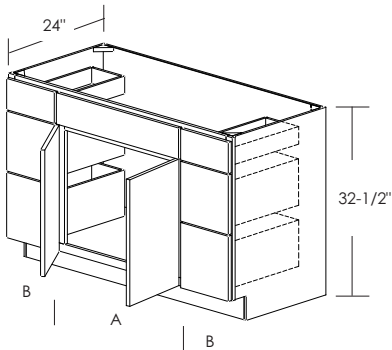
	A	B		A	B
HCS4DBC42 L or R	12"	30"	* HCS4DBC42-DB15 L or R	15"	27"
HCS4DBC45 L or R	12"	33"	HCS4DBC45-DB15 L or R	15"	30"
HCS4DBC48 L or R	12"	36"	HCS4DBC48-DB15 L or R	15"	33"
HCS4DBC51 L or R	12"	39"	HCS4DBC51-DB15 L or R	15"	36"
HCS4DBC54 L or R	12"	42"	HCS4DBC54-DB15 L or R	15"	39"



UNIVERSAL ACCESS FULL HEIGHT COMBO DOUBLE DOOR SINK WITH FOUR DRAWER BASE

- Two hinges per door
- Three standard drawers and one deep drawer
- Specify L or R for sink base location
- **AD 21"**

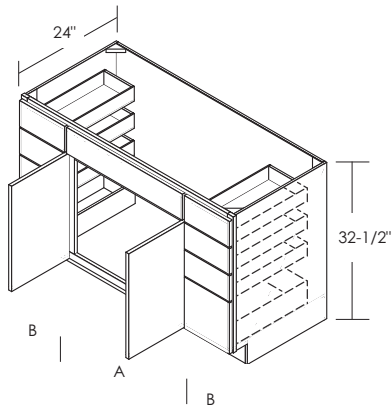
	A	B		A	B
HCS4DBC42FH L or R	12"	30"	HCS4DBC42FH-DB15 L or R	15"	27"
HCS4DBC45FH L or R	12"	33"	HCS4DBC45FH-DB15 L or R	15"	30"
HCS4DBC48FH L or R	12"	36"	HCS4DBC48FH-DB15 L or R	15"	33"
HCS4DBC51FH L or R	12"	39"	HCS4DBC51FH-DB15 L or R	15"	36"
HCS4DBC54FH L or R	12"	42"	HCS4DBC54FH-DB15 L or R	15"	39"



UNIVERSAL ACCESS BUTT DOOR SINK WITH SIX DRAWERS COMBINATION

- Two hinges per door
- One standard depth drawer and two deep drawers on each side with one false front center
- **AD 21"**

	A	B
HCSDBC48BD	24"	12"
HCSDBC54BD	30"	12"
HCSDBC54BD-DB15	24"	15"
HCSDBC60BD	30"	15"



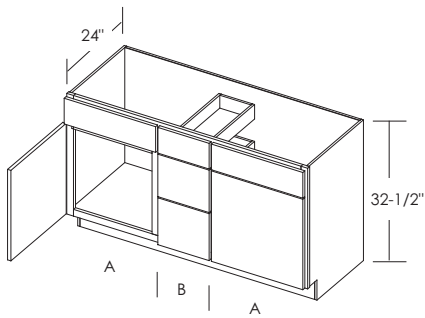
UNIVERSAL ACCESS BUTT DOOR SINK WITH EIGHT DRAWERS

- Two hinges per door
- Three standard drawers and one deep drawer on each side with one false front center
- **AD 21"**

	A	B
HCS4DBC48BD	24"	12"
HCS4DBC54BD	30"	12"
HCS4DBC54BD-DB15	24"	15"
HCS4DBC60BD	30"	15"

UNIVERSAL ACCESS BASE CABINERY

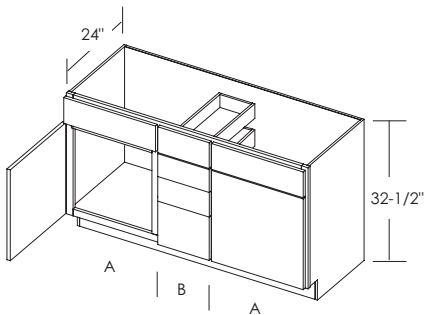
Cabinet Height: 32-1/2". Toe Kick Height: 5-1/2".



UNIVERSAL ACCESS DOUBLE SINK BASE WITH THREE CENTER DRAWERS COMBINATION

- Double vanities separated by a three drawer base in the center
- Two hinges per door
- One standard depth drawer and two deep drawers
- **AD 21"**

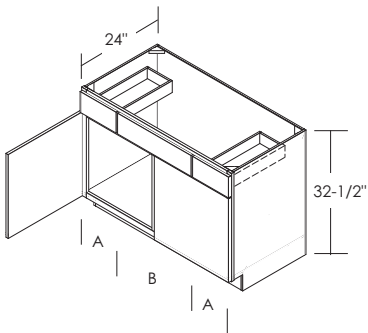
	A	B	A
HCSDBC54	21"	12"	21"
HCSDBC60	24"	12"	24"



UNIVERSAL ACCESS DOUBLE SINK BASE WITH FOUR CENTER DRAWERS COMBINATION

- Double vanities separated by a four drawer base in the center
- Two hinges per door
- Three standard depth drawers and one deep drawers
- **AD 21"**

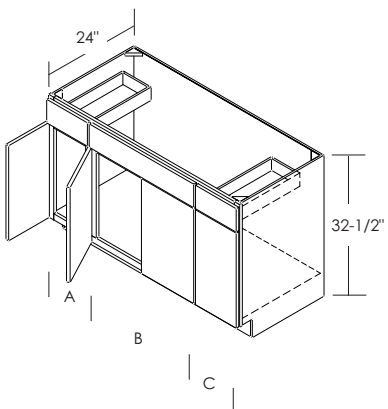
	A	B	A
HCS4DBC54	21"	12"	21"
HCS4DBC60	24"	12"	24"



UNIVERSAL ACCESS DOUBLE DOOR SINK BASE COMBINATION

- Two hinges per door
- Two standard depth drawers on each side with one false front center
- **AD 21"**
- * The narrow drawer fronts will be slab when Fulton is ordered

	A	B	A
* HCSBC36	9"	18"	9"
* HCSBC39	9"	21"	9"
HCSBC42	12"	18"	12"
HCSBC45	12"	21"	12"
HCSBC48	12"	24"	12"



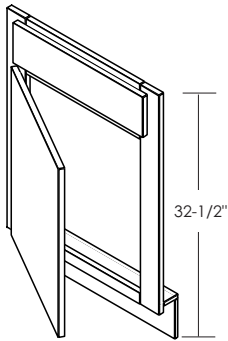
UNIVERSAL ACCESS BUTT DOOR SINK BASE COMBINATION

- Two hinges per door
- One standard depth drawer on each side with one false front center
- **AD 21"**

	A	B	C
HCSBC54BD	12"	30"	12"
HCSBC60BD	15"	30"	15"

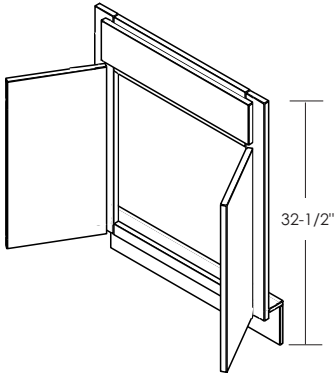
UNIVERSAL ACCESS BASE CABINETS

Cabinet Height: 32-1/2". Toe Kick Height: 5-1/2".

**UNIVERSAL ACCESS SINGLE DOOR TRIMMABLE SINK FRONTS**

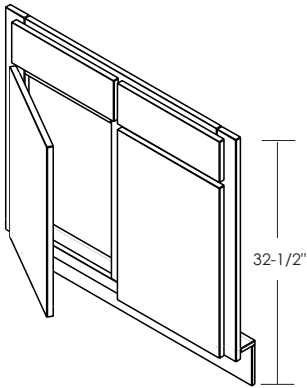
- Two hinges per door
- Specify L or R door hinging
- Trimmable 1-1/2" each side
- One false front

HCSF12T L or R
 HCSF15T L or R
 HCSF18T L or R
 HCSF21T L or R
 HCSF24T L or R

**UNIVERSAL ACCESS BUTT DOOR TRIMMABLE SINK FRONTS**

- Two hinges per door
- Trimmable 1-1/2" each side
- One false front

HCSF27BDT
 HCSF30BDT
 HCSF33BDT
 HCSF36BDT

**UNIVERSAL ACCESS DOUBLE DOOR TRIMMABLE SINK FRONTS**

- Two hinges per door
- Trimmable 1-1/2" each side
- Two false fronts

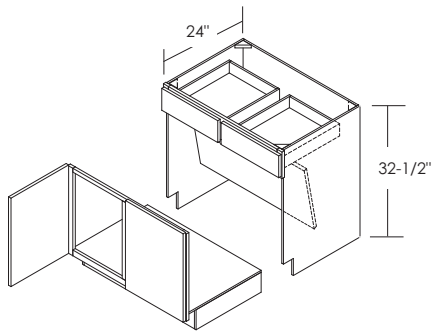
*HCSF30T
 HCSF33T
 HCSF36T
 HCSF39T
 HCSF42T
 HCSF45T
 HCSF48T

*HCSF30T has one false front

AD = Altered depth option

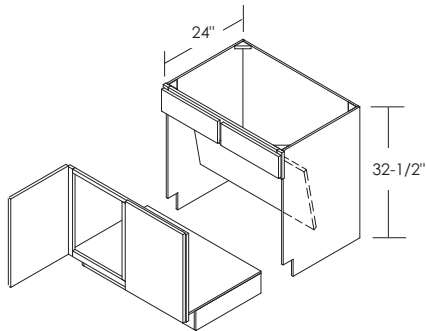
UNIVERSAL ACCESS BASE CABINETRY

Cabinet Height: 32-1/2". Toe Kick Height: 5-1/2".

**UNIVERSAL ACCESS ACCESSIBLE BASE**

- Two hinges per door
- Two drawers
- Comes standard with a matching interior
- **AD 21"**

HCACB33
 HCACB36
 HCACB39
 HCACB42

**UNIVERSAL ACCESS ACCESSIBLE SINK BASE**

- Two hinges per door
- Two false fronts
- Comes standard with a matching interior
- **AD 21"**

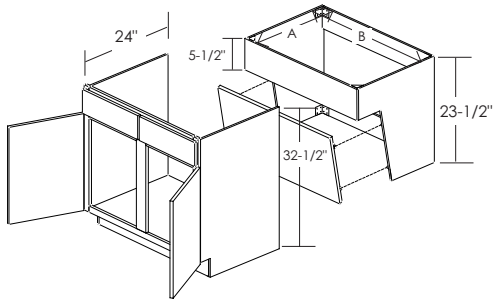
HCACSB33
 HCACSB36
 HCACSB39
 HCACSB42
 HCACSB45
 HCACSB48

AD = Altered depth option

UNIVERSAL ACCESS BASE CABINETRY

Cabinet Height: 32-1/2". Toe Kick Height: 5-1/2".

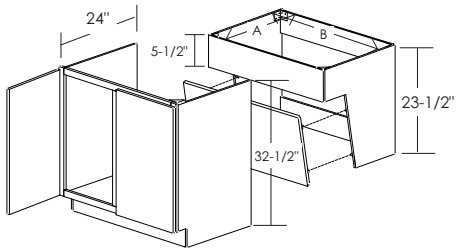
UFAS UNIVERSAL ACCESS SINK BASE AND INSERT



- Two hinges per door
- Two false fronts
- Removable option when 30" or less is available
- Outer cabinet is removable when needed to leave UFAS insert attached to wall
- Designed to meet minimum adaptable clearance requirements
- Customer should confirm sink opening dimension requirements. A rear overflow sink maybe necessary
- Insert can be trimmed in field to meet local codes
- Baffle matches exterior finish
- **AD 21"**

Cabinet	Depth	Sink Clearance	
		A	B
UFASHCSB30	24"	21-1/2"	27"
UFASHCSB33	21"	18-1/2"	27"
UFASHCSB36	24"	21-1/2"	30"
	21"	18-1/2"	30"
	24"	21-1/2"	33"
	21"	18-1/2"	33"

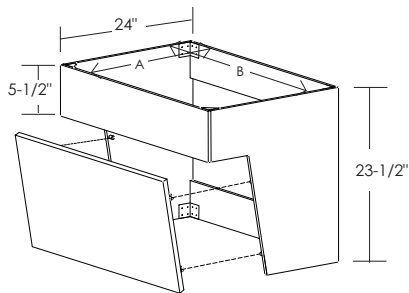
UFAS UNIVERSAL ACCESS FULL HEIGHT SINK BASE AND INSERT



- Two hinges per door
- Removable option when 30" or less is available
- Outer cabinet is removable when needed to leave UFAS insert attached to wall
- Recommended installation height of 32-1/2" to provide required knee and toe clearance
- Designed to meet minimum adaptable clearance requirements
- Customer should confirm sink opening dimension requirements. A rear overflow sink maybe necessary
- Insert can be trimmed in field to meet local codes
- Baffle matches exterior finish
- **AD 21"**

Cabinet	Depth	Sink Clearance	
		A	B
UFASHCSB30FH	24"	21-1/2"	27"
UFASHCSB33FH	21"	18-1/2"	27"
UFASHCSB36FH	24"	21-1/2"	30"
	21"	18-1/2"	30"
	24"	21-1/2"	33"
	21"	18-1/2"	33"

UFAS UNIVERSAL ACCESS SINK BASE INSERT ONLY

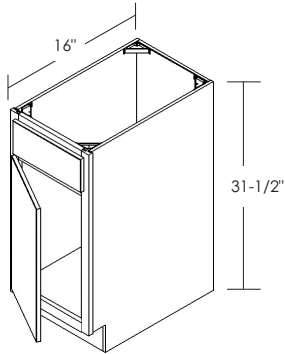


- Baffle is removable for plumbing access
- Recommended installation height of 32-1/2" to provide required knee and toe clearance
- Customer should confirm sink opening dimension requirements. A rear overflow sink may be necessary
- Insert can be trimmed in field to meet local codes
- Baffle matches exterior finish
- **AD 21"**

Cabinet	Depth	Sink Clearance	
		A	B
UFASIOHCSB30	24"	22-1/2"	28-1/2"
UFASIOHCSB33	21"	19-1/2"	28-1/2"
UFASIOHCSB36	24"	22-1/2"	31-1/2"
	21"	19-1/2"	31-1/2"
	24"	22-1/2"	34-1/2"
	21"	19-1/2"	34-1/2"

VANITY BASE CABINETRY

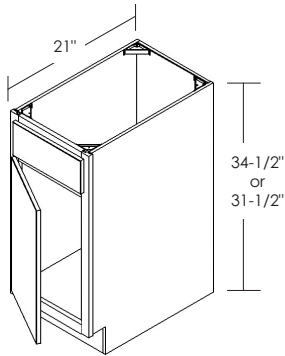
Cabinet Height: 31-1/2" or 34-1/2". Toe Kick Height: 4-1/2".



SINGLE DOOR VANITY SINK BASE

- Two hinges per door
- Specify L or R door hinging
- One false front
- **NTK**

VS1816 L or R



SINGLE DOOR VANITY SINK BASE

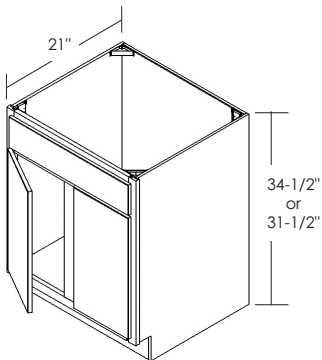
- Two hinges per door
- Specify L or R door hinging
- One false front
- Vanity sink base fronts available for all sizes, order as VSBF18 L or R, or VSBF18H L or R for example
- **AD 18"**
- **NTK**

31-1/2" HIGH

VSB18 L or R
 VSB21 L or R
 VSB24 L or R

34-1/2" HIGH

VSB18H L or R
 VSB21H L or R
 VSB24H L or R



DOUBLE DOOR VANITY SINK BASE WITH SINGLE DRAWER FRONT

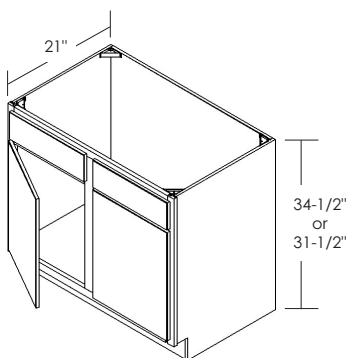
- Two hinges per door
- One false front
- Vanity sink base fronts available, order as VSBF27 or VSBF27FH
- **AD 18"**
- **NTK**

31-1/2" HIGH

VSB27

34-1/2" HIGH

VSB27H



DOUBLE DOOR VANITY SINK BASE

- Two hinges per door
- Two false fronts
- Vanity sink base fronts available for all sizes, order as VSBF30 or VSBF30H for example
- **AD 18"**
- **NTK**

31-1/2" HIGH

VSB30
 VSB33
 VSB36
 VSB39
 VSB42
 VSB45
 VSB48

34-1/2" HIGH

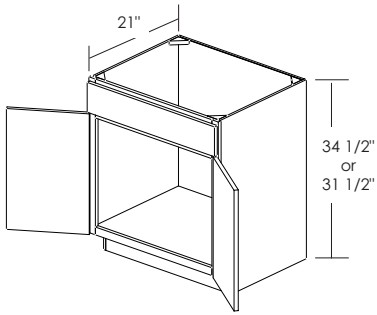
VSB30H
 VSB33H
 VSB36H
 VSB39H
 VSB42H
 VSB45H
 VSB48H

AD = Altered depth option

NTK = No toe kick option

VANITY BASE CABINETRY

Cabinet Height: 31-1/2" or 34-1/2". Toe Kick Height: 4-1/2".



BUTT DOOR VANITY SINK BASE

- Two hinges per door
- One wide false front
- Vanity sink base fronts available for all sizes, order as VSBF24BD or VSBF24BDH for example
- **AD 18"**
- **NTK**

31 1/2" HIGH

VSB24BD
VSB27BD
VSB30BD
VSB33BD
VSB36BD

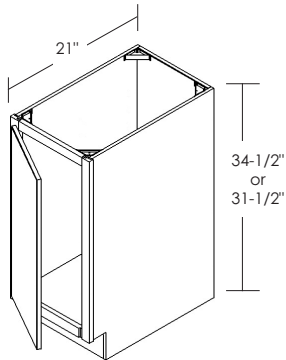
34 1/2" HIGH

VSB24BDH
VSB27BDH
VSB30BDH
VSB33BDH
VSB36BDH

AD = Altered depth option
 NTK = No toe kick option

VANITY BASE CABINETRY

Cabinet Height: 31-1/2" or 34-1/2". Toe Kick Height: 4-1/2".



SINGLE DOOR FULL HEIGHT VANITY BASE

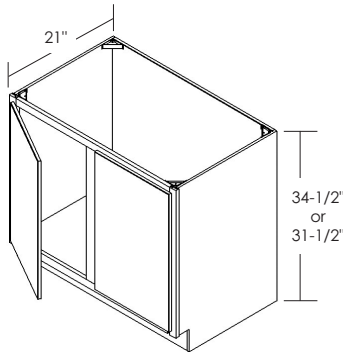
- Two hinges per door
- Specify L or R door hinging
- Vanity base fronts available for all sizes, order as VBF09FH or VBF09HFH for example
- **AD 18"**
- **NTK**
- * **When ordered in Canyon and Shelby, the door will be a slab style**

31-1/2" HIGH

- * VB09FH L or R
- VB12FH L or R
- VB15FH L or R
- VB18FH L or R
- VB21FH L or R
- VB24FH L or R

34-1/2" HIGH

- * VB09HFH L or R
- VB12HFH L or R
- VB15HFH L or R
- VB18HFH L or R
- VB21HFH L or R
- VB24HFH L or R



DOUBLE DOOR FULL HEIGHT VANITY BASE

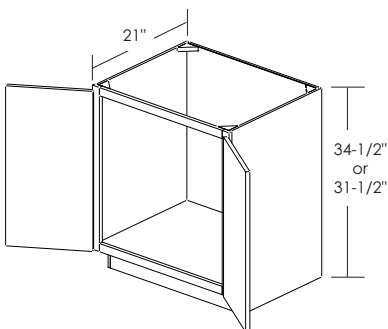
- Two hinges per door
- Vanity base fronts available for all sizes, order as VBF27FH or VBF27HFH for example
- **AD 18"**
- **NTK**

31-1/2" HIGH

- VB27FH
- VB30FH
- VB33FH
- VB36FH
- VB39FH
- VB42FH
- VB45FH
- VB48FH

34-1/2" HIGH

- VB27HFH
- VB30HFH
- VB33HFH
- VB36HFH
- VB39HFH
- VB42HFH
- VB45HFH
- VB48HFH



BUTT DOOR FULL HEIGHT VANITY BASE

- Two hinges per door
- Vanity base fronts available for all sizes, order as VBF24BDFH or VBF24BDHFH for example
- **AD 18"**
- **NTK**

31-1/2" HIGH

- VB24BDFH
- VB27BDFH
- VB30BDFH
- VB33BDFH
- VB36BDFH

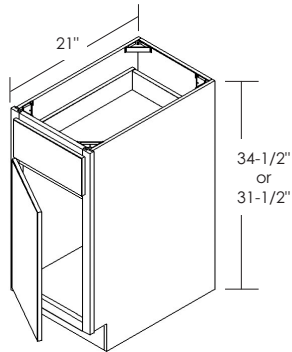
34-1/2" HIGH

- VB24BDHFH
- VB27BDHFH
- VB30BDHFH
- VB33BDHFH
- VB36BDHFH

NTK = No toe kick option

VANITY BASE CABINETRY

Cabinet Height: 31-1/2" or 34-1/2". Toe Kick Height: 4-1/2".



VANITY BASE SINGLE DOOR AND DRAWER

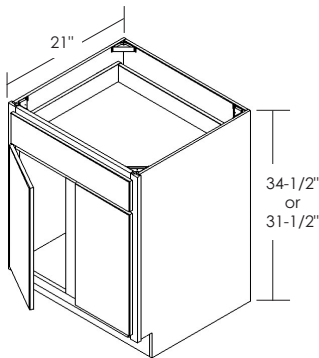
- Two hinges per door
- Specify L or R door hinging
- Vanity base fronts available for all sizes, order as VBF12 L or R or VBF12H L or R for example
- **NTK**

31-1/2" HIGH

VB12 L or R
VB15 L or R
VB18 L or R
VB21 L or R
VB24 L or R

34-1/2" HIGH

VB12H L or R
VB15H L or R
VB18H L or R
VB21H L or R
VB24H L or R



VANITY BASE DOUBLE DOOR AND SINGLE DRAWER

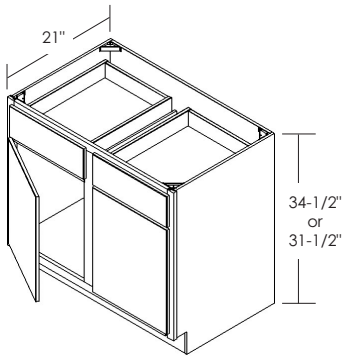
- Two hinges per door
- Vanity base fronts available for all sizes, order as VBF27 or VBF27H for example
- **NTK**

31-1/2" HIGH

VB27

34-1/2" HIGH

VB27H



VANITY BASE DOUBLE DOOR AND DOUBLE DRAWER

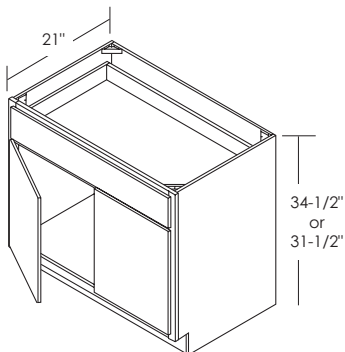
- Two hinges per door
- Vanity base fronts available for all sizes, order as VBF30 or VBF30H for example
- **NTK**

31-1/2" HIGH

VB30
VB33
VB36
VB39
VB42
VB45
VB48

34-1/2" HIGH

VB30H
VB33H
VB36H
VB39H
VB42H
VB45H
VB48H



VANITY BASE BUTT DOOR AND SINGLE WIDE DRAWER

- Two hinges per door
- Vanity base fronts available for all sizes, order as VBF24BD or VBF24BDH for example
- **NTK**

31-1/2" HIGH

VB24BD
VB27BD
VB30BD
VB33BD
VB36BD

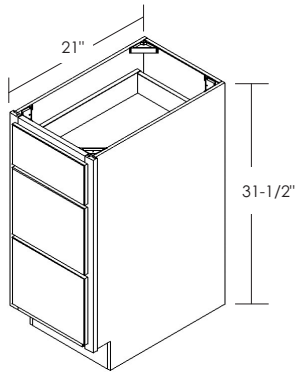
34-1/2" HIGH

VB24BDH
VB27BDH
VB30BDH
VB33BDH
VB36BDH

NTK = No toe kick option

VANITY BASE CABINETRY

Cabinet Height: 31-1/2" or 34-1/2". Toe Kick Height: 4-1/2".

**THREE DRAWER VANITY BASE**

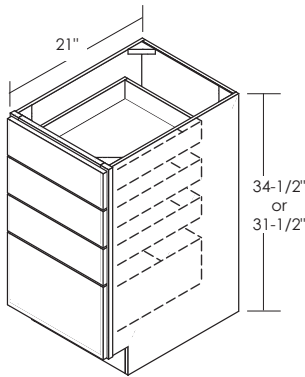
- One standard height drawer on top and two deep drawers on bottom
- Drawer base fronts available for all sizes, order as VDBF12-3 or VDBF12H-3 for example
- **NTK**

31-1/2" HIGH

VDB12-3
VDB15-3
VDB18-3
VDB21-3
VDB24-3
VDB27-3
VDB30-3
VDB33-3
VDB36-3

34-1/2" HIGH

VDB12H-3
VDB15H-3
VDB18H-3
VDB21H-3
VDB24H-3
VDB27H-3
VDB30H-3
VDB33H-3
VDB36H-3

**FOUR DRAWER VANITY BASE**

- Three standard height drawers on top and one deep bottom drawer
- Drawer base fronts available for all sizes, order as VDBF12-4 or VDBF12H-4 for example
- **NTK**

31-1/2" HIGH

VDB12-4
VDB15-4
VDB18-4
VDB21-4
VDB24-4
VDB27-4
VDB30-4
VDB33-4
VDB36-4

34-1/2" HIGH

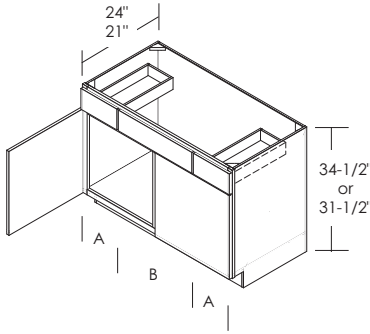
VDB12H-4
VDB15H-4
VDB18H-4
VDB21H-4
VDB24H-4
VDB27H-4
VDB30H-4
VDB33H-4
VDB36H-4

AD = Altered depth option

VANITY BASE CABINETRY

Cabinet Height: 31-1/2" or 34-1/2". Toe Kick Height: 4-1/2".

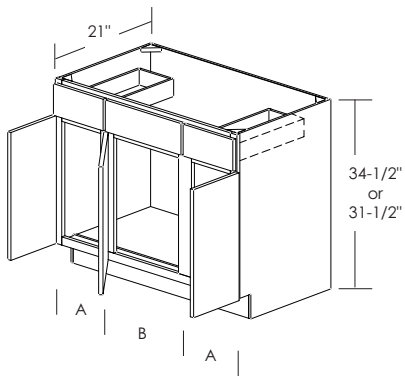
COMBO DOUBLE DOOR VANITY SINK BASE WITH TWO DRAWERS



- Two hinges per door
- Two standard depth drawers on each side with one false front center
- **AD 24"**
- **The narrow drawer fronts will be slab when Fulton is ordered**

	31-1/2" HIGH		34-1/2" HIGH	
	A	B	A	
*CVSB36			*CVSB36H	
*CVSB39			*CVSB39H	
CVSB42			CVSB42H	
CVSB45			CVSB45H	
CVSB48			CVSB48H	
	A	B	A	
*CVSB36/CVSB36H	9"	18"	9"	
*CVSB39/CVSB39H	9"	21"	9"	
CVSB42/CVSB42H	12"	18"	12"	
CVSB45/CVSB45H	12"	21"	12"	
CVSB48/CVSB48H	12"	24"	12"	

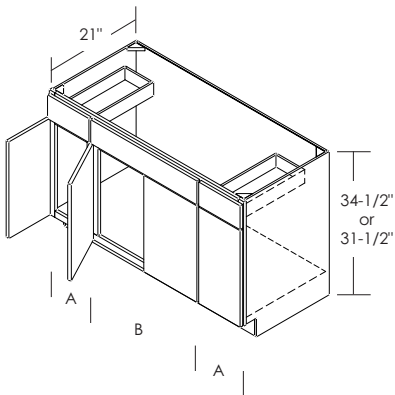
COMBO THREE DOOR VANITY SINK BASE WITH TWO DRAWERS



- Two hinges per door
- Two standard depth drawers on each side with one false front center

	31-1/2" HIGH		34-1/2" HIGH	
	A	B	A	
CVB48			CVB48H	
	A	B	A	
CVB48/CVB48H	15"	18"	15"	

COMBO FOUR DOOR VANITY SINK BASE WITH TWO DRAWERS

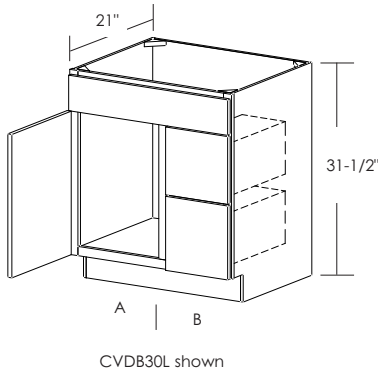


- Two hinges per door
- Two standard depth drawers on each side with one false front center

	31-1/2" HIGH		34-1/2" HIGH	
	A	B	A	
CVB54BD			CVB54BDH	
CVB60BD			CVB60BDH	
	A	B	A	
CVB54BD/CVB54BDH	12"	30"	12"	
CVB60BD/CVB60BDH	15"	30"	15"	

VANITY BASE CABINETS

Cabinet Height: 31-1/2" or 34-1/2". Toe Kick Height: 4-1/2".

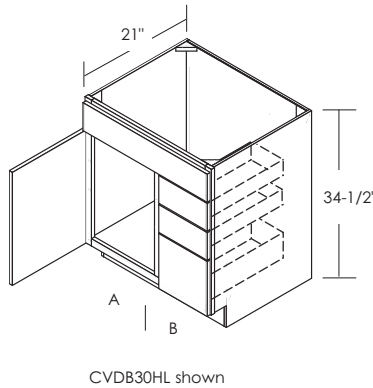


COMBO VANITY SINGLE DOOR SINK WITH TWO DRAWER BASE

- Two hinges per door
- One false front on top with two deep drawers below
- Specify L or R for door hinging and sink base location

31-1/2" HIGH

	A	B
CVDB30 L or R	18"	12"

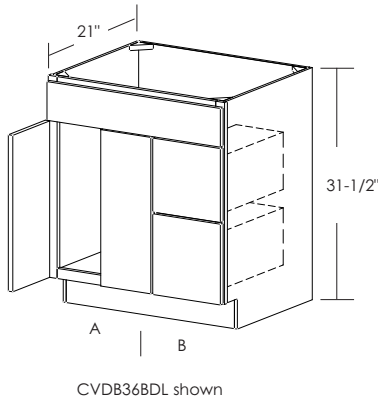


TALL COMBO VANITY SINGLE DOOR SINK WITH THREE DRAWER BASE

- Two hinges per door
- One false front with two standard drawers and one deep drawer
- Specify L or R for door hinging and sink base location

34-1/2" HIGH

	A	B
CVDB30H L or R	18"	12"

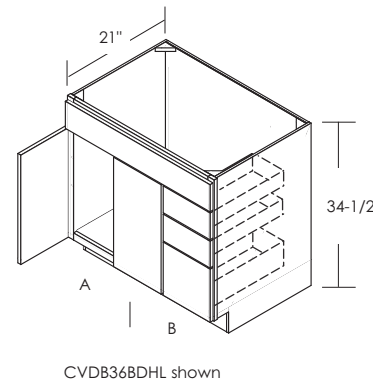


COMBO VANITY BUTT DOOR SINK WITH TWO DRAWER BASE

- Two hinges per door
- One false front on top with two deep drawers below
- CVDB42BD L or R will have two false fronts on top
- Specify L or R for sink base location

31-1/2" HIGH

	A	B
CVDB36BD L or R	24"	12"
CVDB42BD L or R	30"	12"



TALL COMBO VANITY BUTT DOOR SINK WITH THREE DRAWER BASE

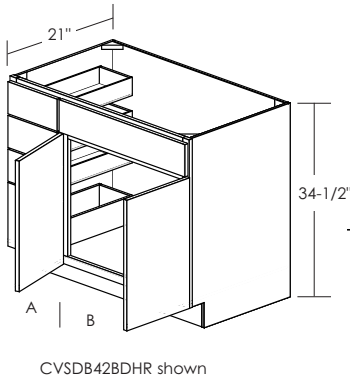
- Two hinges per door
- One false front with two standard drawers and one deep drawer
- CVDB42BDH L or R will have two false fronts on top
- Specify L or R for sink base location

34-1/2" HIGH

	A	B
CVDB36BDH L or R	24"	12"
CVDB42BDH L or R	30"	12"

VANITY BASE CABINETRY

Cabinet Height: 31-1/2" or 34-1/2". Toe Kick Height: 4-1/2".



TALL COMBO VANITY BUTT DOOR SINK WITH FOUR DRAWER BASE

- Two hinges per door
- One false front with three standard drawers and one deep drawer
- Specify L or R for sink base location

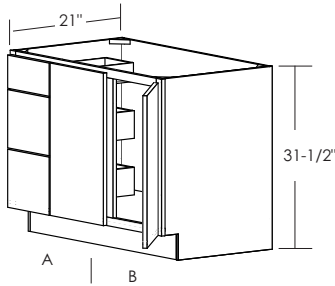
34-1/2" HIGH

	A	B		A	B
CVSDB36BDH L or R	12"	24"	CVSDB39BDH-DB15 L or R	15"	24"
CVSDB39BDH L or R	12"	27"	CVSDB42BDH-DB15 L or R	15"	27"
CVSDB42BDH L or R	12"	30"	CVSDB45BDH-DB15 L or R	15"	30"
CVSDB45BDH L or R	12"	33"	CVSDB48BDH-DB15 L or R	15"	33"
CVSDB48BDH L or R	12"	36"	CVSDB51BDH-DB15 L or R	15"	36"

CVSDB42BDHR shown

FULL HEIGHT COMBO VANITY DOUBLE DOOR SINK WITH THREE DRAWER BASE

- Two hinges per door
- One standard drawer and two deep drawers
- Specify L or R for sink base location



CVSDB42FHR shown

STANDARD VANITY HEIGHT - 31-1/2" HIGH

	A	B
CVSDB42FH L or R	12"	30"
CVSDB45FH L or R	12"	33"
CVSDB48FH L or R	12"	36"
CVSDB51FH L or R	12"	39"
CVSDB54FH L or R	12"	42"

DB15 COMBINATIONS

	A	B
CVSDB42FH-DB15 L or R	15"	27"
CVSDB45FH-DB15 L or R	15"	30"
CVSDB48FH-DB15 L or R	15"	33"
CVSDB51FH-DB15 L or R	15"	36"
CVSDB54FH-DB15 L or R	15"	39"

TALL VANITY HEIGHT - 34-1/2" HIGH

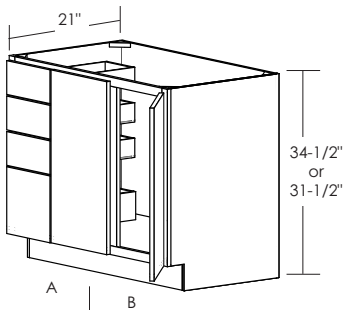
	A	B
CV3SDB36HFH L or R	12"	24"
CV3SDB39HFH L or R	12"	27"
CV3SDB42HFH L or R	12"	30"
CV3SDB45HFH L or R	12"	33"
CV3SDB48HFH L or R	12"	46"

DB15 COMBINATIONS

	A	B
CV3SDB39HFH-DB15 L or R	15"	24"
CV3SDB42HFH-DB15 L or R	15"	27"
CV3SDB45HFH-DB15 L or R	15"	30"
CV3SDB48HFH-DB15 L or R	15"	33"

FULL HEIGHT COMBO VANITY DOUBLE DOOR SINK WITH FOUR DRAWER BASE

- Two hinges per door
- Three standard drawers and one deep drawer
- Specify L or R for sink base location



R sink location shown

STANDARD VANITY HEIGHT 31-1/2" HIGH

	A	B
CVS4DB42FH L or R	12"	30"
CVS4DB45FH L or R	12"	33"
CVS4DB48FH L or R	12"	36"
CVS4DB51FH L or R	12"	39"
CVS4DB54FH L or R	12"	42"

DB15 COMBINATIONS

	A	B
CVS4DB42FH-DB15 L or R	15"	27"
CVS4DB45FH-DB15 L or R	15"	30"
CVS4DB48FH-DB15 L or R	15"	33"
CVS4DB51FH-DB15 L or R	15"	36"
CVS4DB54FH-DB15 L or R	15"	39"

TALL VANITY HEIGHT 34-1/2" HIGH

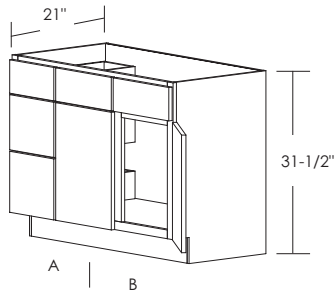
	A	B
CVSDB42HFH L or R	12"	30"
CVSDB45HFH L or R	12"	33"
CVSDB48HFH L or R	12"	36"
CVSDB51HFH L or R	12"	39"
CVSDB54HFH L or R	12"	42"

DB15 COMBINATIONS

	A	B
CVSDB42HFH-DB15 L or R	15"	27"
CVSDB45HFH-DB15 L or R	15"	30"
CVSDB48HFH-DB15 L or R	15"	33"
CVSDB51HFH-DB15 L or R	15"	36"
CVSDB54HFH-DB15 L or R	15"	39"

VANITY BASE CABINETRY

Cabinet Height: 31-1/2" or 34-1/2". Toe Kick Height: 4-1/2".



CVSDB42R shown

COMBO VANITY DOUBLE DOOR SINK WITH THREE DRAWER BASE

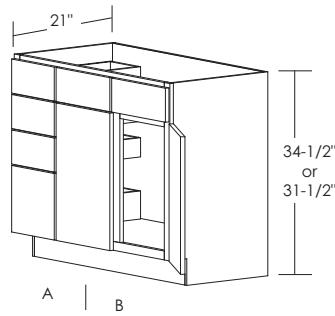
- Two hinges per door
- Two false fronts with one standard drawer and two deep drawers
- Specify L or R for sink base location
- * Comes with single false front over double doors

31-1/2" HIGH

	A	B
CVSDB42 L or R	12"	30"
CVSDB45 L or R	12"	33"
CVSDB48 L or R	12"	36"
CVSDB51 L or R	12"	39"
CVSDB54 L or R	12"	42"

DB15 COMBINATIONS

	A	B
* CVSDB42-DB15 L or R	15"	27"
CVSDB45-DB15 L or R	15"	30"
CVSDB48-DB15 L or R	15"	33"
CVSDB51-DB15 L or R	15"	36"
CVSDB54-DB15 L or R	15"	39"



R sink location shown

COMBO VANITY DOUBLE DOOR SINK WITH FOUR DRAWER BASE

- Two hinges per door
- Two false fronts with three standard drawers and one deep drawer
- Specify L or R for sink base location
- * Comes with single false front over double doors

**STANDARD VANITY HEIGHT
31-1/2" HIGH**

	A	B
CVS4DB42 L or R	12"	30"
CVS4DB45 L or R	12"	33"
CVS4DB48 L or R	12"	36"
CVS4DB51 L or R	12"	39"
CVS4DB54 L or R	12"	42"

DB15 COMBINATIONS

	A	B
* CVS4DB42-DB15 L or R	15"	27"
CVS4DB45-DB15 L or R	15"	30"
CVS4DB48-DB15 L or R	15"	33"
CVS4DB51-DB15 L or R	15"	36"
CVS4DB54-DB15 L or R	15"	39"

**TALL VANITY HEIGHT
34-1/2" HIGH**

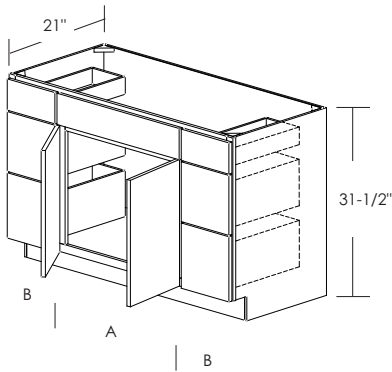
	A	B
CVSDB42H L or R	12"	30"
CVSDB45H L or R	12"	33"
CVSDB48H L or R	12"	36"
CVSDB51H L or R	12"	39"
CVSDB54H L or R	12"	42"

DB15 COMBINATIONS

	A	B
* CVSDB42H-DB15 L or R	15"	27"
CVSDB45H-DB15 L or R	15"	30"
CVSDB48H-DB15 L or R	15"	33"
CVSDB51H-DB15 L or R	15"	36"
CVSDB54H-DB15 L or R	15"	39"

VANITY BASE CABINETRY

Cabinet Height: 31-1/2" or 34-1/2". Toe Kick Height: 4-1/2".

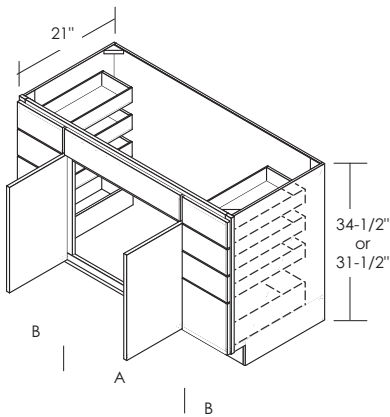


COMBO VANITY BUTT DOOR SINK WITH SIX DRAWERS

- Two hinges per door
- One standard depth drawer and two deep drawers on each side with one false front center

31-1/2" HIGH

	A	B
CVDB48BD	24"	12"
CVDB54BD	30"	12"
CVDB54BD-DB15	24"	15"
CVDB60BD	30"	15"



COMBO VANITY BUTT DOOR SINK WITH EIGHT DRAWERS

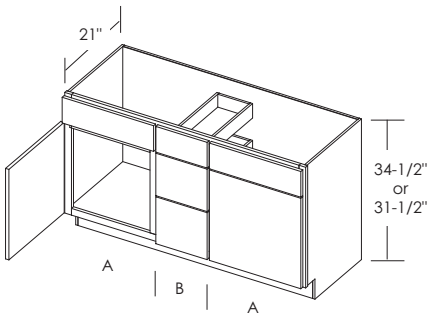
- Two hinges per door
- Three standard drawers and one deep drawer on each side with one false front center

**STANDARD VANITY HEIGHT
31-1/2" HIGH**

	A	B
CV4DB48BD	24"	12"
CV4DB54BD	30"	12"
CV4DB54BD-DB15	24"	15"
CV4DB60BD	30"	15"

**TALL VANITY HEIGHT
34-1/2" HIGH**

	A	B
CVDB48BDH	24"	12"
CVDB54BDH	30"	12"
CVDB54BDH-DB15	24"	15"
CVDB60BDH	30"	15"



COMBO DOUBLE VANITY SINK BASE WITH THREE CENTER DRAWERS

- Double vanities separated by a three drawer base in the center
- Two hinges per door
- One standard depth drawer and two deep drawers

31-1/2" HIGH

CVDSDB54
CVDSDB60

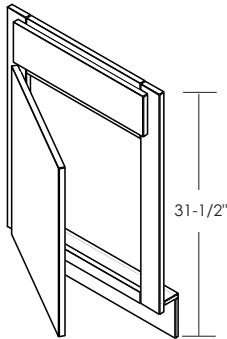
34-1/2" HIGH

CVDSDB54H
CVDSDB60H

	A	B	A
CVDSDB54 / CVDSDB54H	21"	12"	21"
CVDSDB60 / CVDSDB60H	24"	12"	24"

VANITY BASE CABINETRY

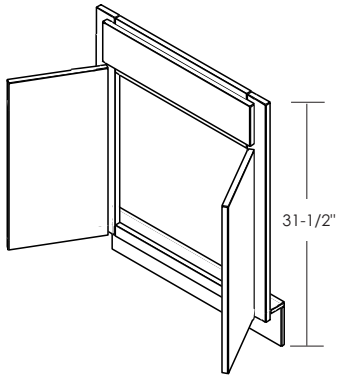
Cabinet Height: 31-1/2". Toe Kick Height: 4-1/2".



VANITY SINGLE DOOR TRIMMABLE SINK FRONTS

- Two hinges per door
- Specify L or R door hinging
- Trimmable 1-1/2" each side
- One false front

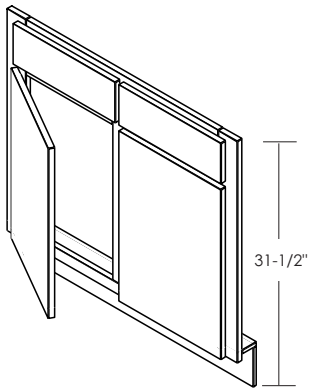
VSF12T L or R
 VSF15T L or R
 VSF18T L or R
 VSF21T L or R
 VSF24T L or R



VANITY BUTT DOOR TRIMMABLE SINK FRONTS

- Two hinges per door
- Trimmable 1-1/2" each side
- One false front

VSF27BDT
 VSF30BDT
 VSF33BDT
 VSF36BDT



VANITY DOUBLE DOOR TRIMMABLE SINK FRONTS

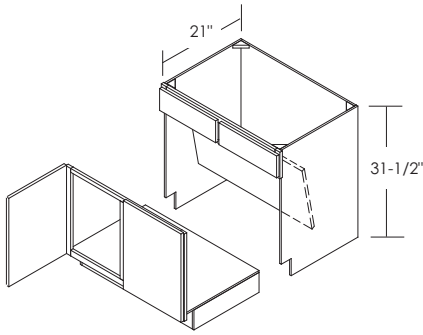
- Two hinges per door
- Trimmable 1-1/2" each side
- Two false fronts

* VSF30T
 VSF33T
 VSF36T
 VSF39T
 VSF42T
 VSF45T
 VSF48T

*VSF30T has one false front

VANITY BASE CABINETRY

Cabinet Height: 31-1/2". Toe Kick Height: 4-1/2".

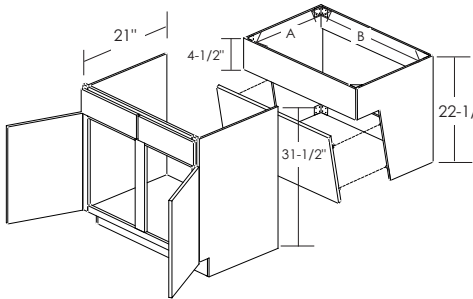


ACCESSIBLE VANITY SINK BASE

- Two hinges per door
- Two false fronts

VACSB33
 VACSB36
 VACSB39
 VACSB42
 VACSB45
 VACSB48

UFAS VANITY SINK BASE

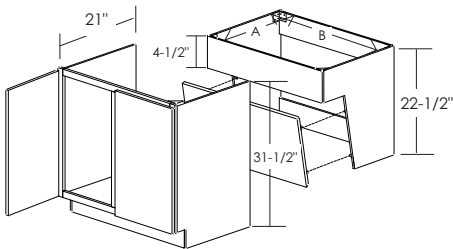


- Two hinges per door
- Two false fronts
- Removable option when 30" or less is available
- Outer cabinet is removable when needed to leave UFAS insert attached to wall
- Designed to meet minimum adaptable clearance requirements
- Customer should confirm sink opening dimension requirements. A rear overflow sink may be necessary
- Insert can be trimmed in field to meet local codes
- Baffle matches exterior finish

UFASV30
 UFASV33
 UFASV36

Cabinet	Depth	Sink Clearance	
		A	B
UFASV30	21"	18-1/2"	27"
UFASV33	21"	18-1/2"	30"
UFASV36	21"	18-1/2"	33"

UFAS VANITY FULL HEIGHT SINK BASE AND INSERT

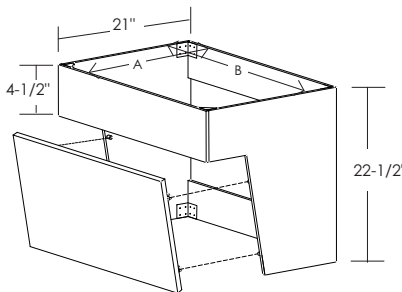


- Two hinges per door
- Removable option when 30" or less is available
- Outer cabinet is removable when needed to leave UFAS insert attached to wall
- Designed to meet minimum adaptable clearance requirements
- Customer should confirm sink opening dimension requirements. A rear overflow sink may be necessary
- Insert can be trimmed in field to meet local codes
- Baffle matches exterior finish

UFASV30FH
 UFASV33FH
 UFASV36FH

Cabinet	Depth	Sink Clearance	
		A	B
UFASV30FH	21"	18-1/2"	27"
UFASV33FH	21"	18-1/2"	30"
UFASV36FH	21"	18-1/2"	33"

UFAS VANITY SINK BASE INSERT ONLY



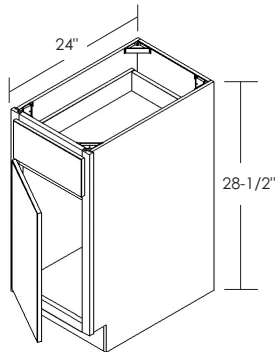
- Baffle is removable for plumbing access
- Recommended installation height of 31-1/2" to provide required knee and toe clearance
- Customer should confirm sink opening dimension requirements. A rear overflow sink may be necessary
- Insert can be trimmed in field to meet local codes
- Baffle matches exterior finish

UFASIOV30
 UFASIOV33
 UFASIOV36

Cabinet	Depth	Sink Clearance	
		A	B
UFASIOV30	21"	19-1/2"	28-1/2"
UFASIOV33	21"	19-1/2"	31-1/2"
UFASIOV36	21"	19-1/2"	34-1/2"

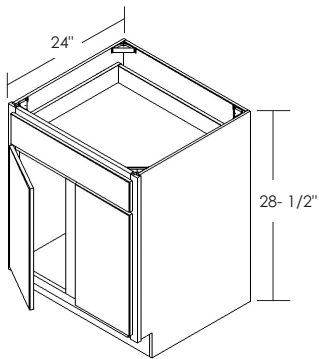
DESK BASE CABINETRY

Cabinet Height: 28-1/2". Toe Kick Height: 4-1/2".



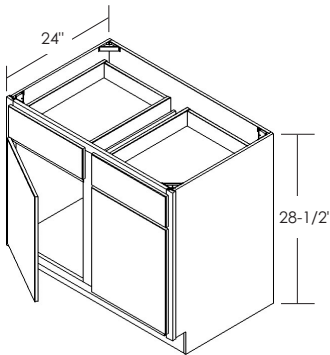
DESK BASE SINGLE DOOR AND DRAWER

- Two hinges per door
 - Specify L or R door hinging
 - Comes with adjustable half depth shelf
 - Desk fronts available for all sizes, order as DKBF12 L or R for example
 - **AD 21"**
 - **FDS**
- DKB12 L or R
 DKB15 L or R
 DKB18 L or R
 DKB21 L or R
 DKB24 L or R



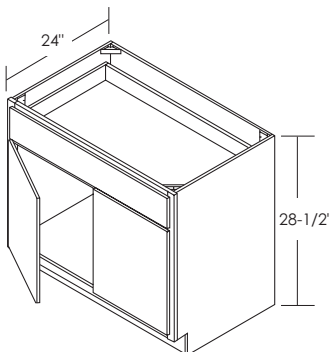
DESK BASE DOUBLE DOOR AND SINGLE DRAWER

- Two hinges per door
 - Comes with adjustable half depth shelf
 - Desk front available, order as DKBF27
 - **AD 21"**
 - **FDS**
- DKB27



DESK BASE DOUBLE DOOR AND DOUBLE DRAWER

- Two hinges per door
 - Comes with adjustable half depth shelf
 - Desk fronts available for all sizes, order as DKBF30 for example
 - **AD 21"**
 - **FDS**
- DKB30
 DKB33
 DKB36
 DKB39
 DKB42
 DKB45
 DKB48



DESK BASE BUTT DOOR AND WIDE SINGLE DRAWER

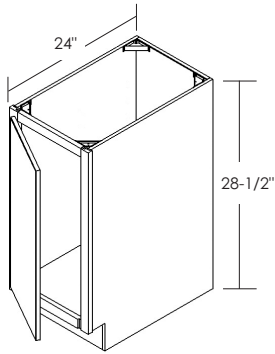
- Two hinges per door
 - Comes with adjustable half depth shelf
 - Desk fronts available for all sizes, order as DKBF24BD for example
 - **AD 21"**
 - **FDS**
- DKB24BD
 DKB27BD
 DKB30BD
 DKB33BD
 DKB36BD*

* FDS is not available on DKB36BD

AD = Altered depth option
FDS = Full depth shelf option

DESK BASE CABINETRY

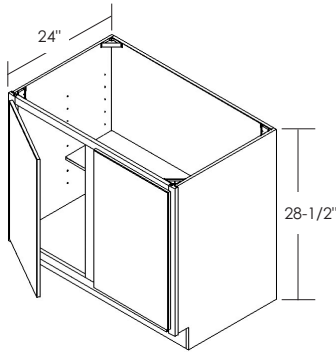
Cabinet Height: 28-1/2". Toe Kick Height: 4-1/2".



DESK BASE FULL HEIGHT SINGLE DOOR

- Two hinges per door
- Specify L or R door hinging
- Comes with adjustable half depth shelf
- Desk fronts available for all sizes, order as DKBF09FH for example
- **AD 18" or 21"**
- **FDS**

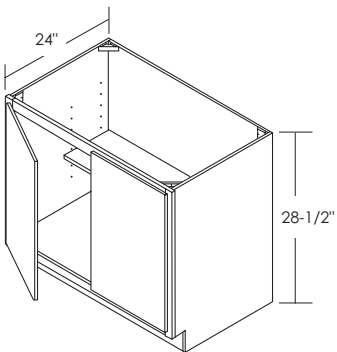
DKB09FH L or R
 DKB12FH L or R
 DKB15FH L or R
 DKB18FH L or R
 DKB21FH L or R
 DKB24FH L or R



DESK BASE FULL HEIGHT DOUBLE DOOR

- Two hinges per door
- Comes with adjustable half depth shelf
- Desk fronts available for all sizes, order as DKBF27FH for example
- **AD 18" or 21"**
- **FDS**

DKB27FH
 DKB30FH
 DKB33FH
 DKB36FH
 DKB39FH
 DKB42FH
 DKB45FH
 DKB48FH



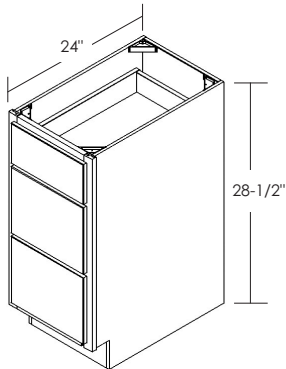
DESK BASE FULL HEIGHT BUTT DOOR

- Two hinges per door
- Comes with adjustable half depth shelf
- Desk fronts available for all sizes, order as DKBF24BDFH for example
- **AD 18" or 21"**
- **FDS**
- *** FDS is not available on DKB36BDFH**

DKB24BDFH
 DKB27BDFH
 DKB30BDFH
 DKB33BDFH
 *DKB36BDFH

DESK BASE CABINETS

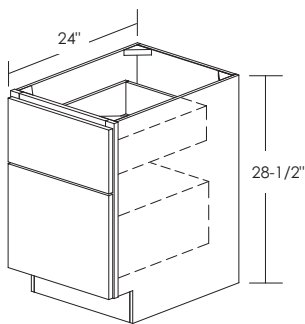
Cabinet Height: 28-1/2". Toe Kick Height: 4-1/2".



THREE DRAWER DESK BASE

- One standard depth drawer on top and two deep drawers on bottom
- Desk drawer base fronts available for all sizes, order as DKDBF12-3 for example
- **AD 21"**

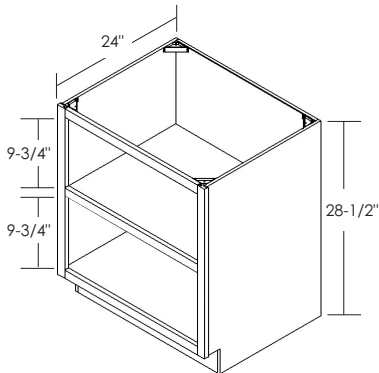
DKDB12-3
DKDB15-3
DKDB18-3
DKDB21-3
DKDB24-3



FILE DRAWER DESK BASE

- One standard height drawer
- Deep drawer on bottom to accommodate files
- File drawer desk base front available, order as DKFDF18
- **AD 21"**

DKFD18



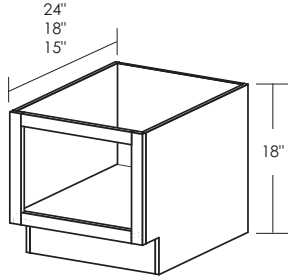
DESK BASE BOOKSHELF

- Two 9- 3/4" H openings
- Color matching interior
- Fixed full depth shelf
- **AD 12", 18", or 21"**

DKBBS18
DKBBS21
DKBBS24
DKBBS27
DKBBS30

MUD ROOM CABINETRY

Cabinet Height: 18". Toe Kick Height: 4-1/2".



BASE MUD ROOM OPEN CABINETS

- Comes with matching finished interior

24" Deep

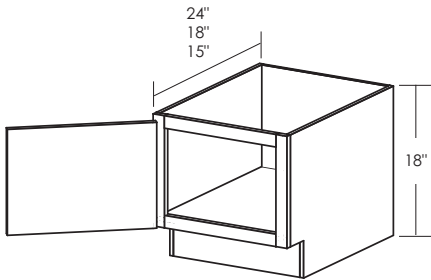
- BMRO1518x24
- BMRO1818x24
- BMRO2118x24
- BMRO2418x24

18" Deep

- BMR1518x18
- BMR1818x18
- BMR2118x18
- BMR2418x18

15" Deep

- BMRO1518x15
- BMRO1818x15
- BMRO2118x15
- BMRO2418x15



BASE MUD ROOM CABINETS

- Two hinges per door
- Full height door

24" Deep

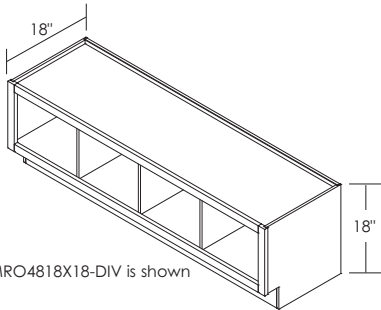
- BMR1518X24FH L or R
- BMR1818X24FH L or R
- BMR2118X24FH L or R
- BMR2418X24FH L or R

18" Deep

- BMR1518X18FH L or R
- BMR1818X18FH L or R
- BMR2118X18FH L or R
- BMR2418X18FH L or R

15" Deep

- BMR1518X15FH L or R
- BMR1818X15FH L or R
- BMR2118X15FH L or R
- BMR2418X15FH L or R



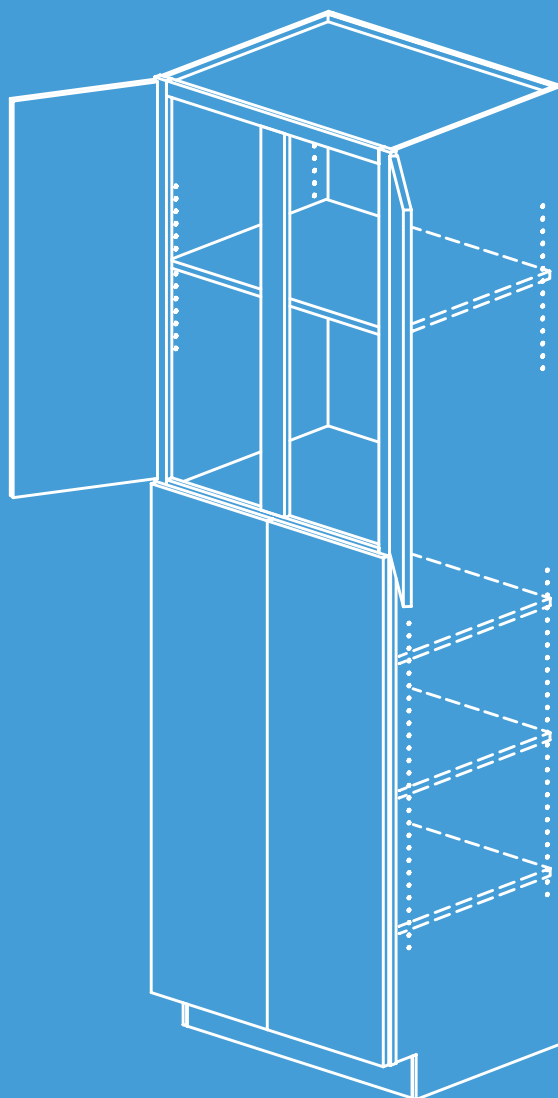
BMRO4818X18-DIV is shown

BASE MUD ROOM OPEN CABINET WITH DIVIDERS

- Comes with matching finished interior
- **Top surface is raw and should be covered by a counter top or other decking material**

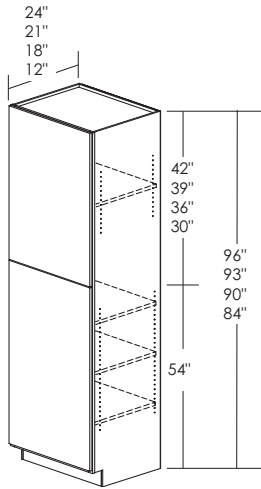
Cabinet	Openings
BMRO2418X18-DIV	2
BMRO2718X18-DIV	2
BMRO3018X18-DIV	2
BMRO3318X18-DIV	2
BMRO3618X18-DIV	3
BMRO3918X18-DIV	3
BMRO4218X18-DIV	3
BMRO4518X18-DIV	3
BMRO4818X18-DIV	4
BMRO6018X18-DIV	4

FRAMED TALLS



TALL CABINETRY

Toe Kick Height: 4-1/2".



PANTRY CABINET WITH SINGLE DOORS

- Bottom door has three hinges. Upper door has two hinges, except 96" high cabinets have three hinges on top door
- Specify L or R door hinging
- Comes with three full depth adjustable shelves in lower section and one full depth adjustable shelf in upper section
- Fixed center bottom behind the center rail

12" DEEP CABINETS

- P1284X12 L or R
- P1584X12 L or R
- P1884X12 L or R
- P2184X12 L or R
- P1290X12 L or R
- P1590X12 L or R
- P1890X12 L or R
- P2190X12 L or R
- P1293X12 L or R
- P1593X12 L or R
- P1893X12 L or R
- P2193X12 L or R
- P1296X12 L or R
- P1596X12 L or R
- P1896X12 L or R
- P2196X12 L or R

18" DEEP CABINETS

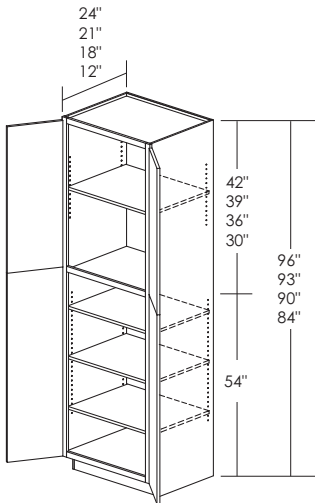
- P1284X18 L or R
- P1584X18 L or R
- P1884X18 L or R
- P2184X18 L or R
- P1290X18 L or R
- P1590X18 L or R
- P1890X18 L or R
- P2190X18 L or R
- P1293X18 L or R
- P1593X18 L or R
- P1893X18 L or R
- P2193X18 L or R
- P1296X18 L or R
- P1596X18 L or R
- P1896X18 L or R
- P2196X18 L or R

21" DEEP CABINETS

- P1284X21 L or R
- P1584X21 L or R
- P1884X21 L or R
- P2184X21 L or R
- P1290X21 L or R
- P1590X21 L or R
- P1890X21 L or R
- P2190X21 L or R
- P1293X21 L or R
- P1593X21 L or R
- P1893X21 L or R
- P2193X21 L or R
- P1296X21 L or R
- P1596X21 L or R
- P1896X21 L or R
- P2196X21 L or R

24" DEEP CABINETS

- P1284X24 L or R
- P1584X24 L or R
- P1884X24 L or R
- P2184X24 L or R
- P1290X24 L or R
- P1590X24 L or R
- P1890X24 L or R
- P2190X24 L or R
- P1293X24 L or R
- P1593X24 L or R
- P1893X24 L or R
- P2193X24 L or R
- P1296X24 L or R
- P1596X24 L or R
- P1896X24 L or R
- P2196X24 L or R



PANTRY CABINET WITH BUTT DOORS

- Bottom door has three hinges. Upper door has two hinges, except 96" high cabinets have three hinges on top door
- Comes with butt doors on top and bottom sections
- Comes with three full depth adjustable shelves in lower section and one full depth adjustable shelf in upper section
- Fixed center bottom behind the center rail

12" DEEP CABINETS

- P2484BDX12
- P2784BDX12
- P2490BDX12
- P2790BDX12
- P2493BDX12
- P2793BDX12
- P2496BDX12
- P2796BDX12

18" DEEP CABINETS

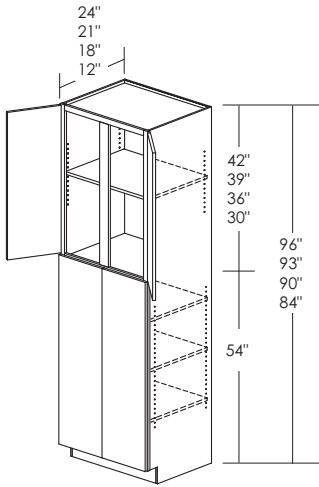
- P2484BDX18
- P2784BDX18
- P2490BDX18
- P2790BDX18
- P2493BDX18
- P2793BDX18
- P2496BDX18
- P2796BDX18

21" DEEP CABINETS

- P2484BDX21
- P2784BDX21
- P2490BDX21
- P2790BDX21
- P2493BDX21
- P2793BDX21
- P2496BDX21
- P2796BDX21

24" DEEP CABINETS

- P2484BDX24
- P2784BDX24
- P2490BDX24
- P2790BDX24
- P2493BDX24
- P2793BDX24
- P2496BDX24
- P2796BDX24



PANTRY CABINET WITH BUTT DOORS ON LOWER SECTION

- Bottom door has three hinges. Upper door has two hinges, except 96" high cabinets have three hinges on top door
- Comes with butt doors on top and bottom sections
- Top section will have vertical mullion. Bottom section has no mullion
- Comes with three full depth adjustable shelves in lower section and one full depth adjustable shelf in upper section
- Fixed center bottom behind the center rail

12" DEEP CABINETS

- P3084BDX12
- P3384BDX12
- P3684BDX12
- P3090BDX12
- P3390BDX12
- P3690BDX12
- P3093BDX12
- P3393BDX12
- P3693BDX12
- P3096BDX12
- P3396BDX12
- P3696BDX12

18" DEEP CABINETS

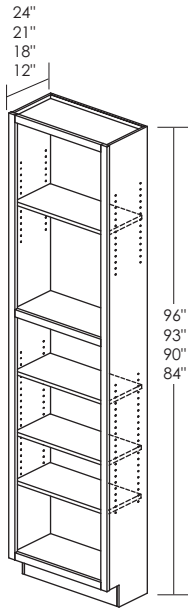
- P3084BDX18
- P3384BDX18
- P3684BDX18
- P3090BDX18
- P3390BDX18
- P3690BDX18
- P3093BDX18
- P3393BDX18
- P3693BDX18
- P3096BDX18
- P3396BDX18
- P3696BDX18

21" DEEP CABINETS

- P3084BDX21
- P3384BDX21
- P3684BDX21
- P3090BDX21
- P3390BDX21
- P3690BDX21
- P3093BDX21
- P3393BDX21
- P3693BDX21
- P3096BDX21
- P3396BDX21
- P3696BDX21

24" DEEP CABINETS

- P3084BDX24
- P3384BDX24
- P3684BDX24
- P3090BDX24
- P3390BDX24
- P3690BDX24
- P3093BDX24
- P3393BDX24
- P3693BDX24
- P3096BDX24
- P3396BDX24
- P3696BDX24



TALL BOOKSHELF

- Comes with three full depth adjustable shelves in lower section and one full depth adjustable shelf in upper section.
- Comes with matching interior finish.
- Fixed center bottom behind the center rail

12" DEEP CABINETS

- TBS1284X12
- TBS1584X12
- TBS1884X12
- TBS2184X12
- TBS2484X12
- TBS2784X12
- TBS3084X12
- TBS3384X12
- TBS3684X12
- TBS1290X12
- TBS1590X12
- TBS1890X12
- TBS2190X12
- TBS2490X12
- TBS2790X12
- TBS3090X12
- TBS3390X12
- TBS3690X12
- TBS1293X12
- TBS1593X12
- TBS1893X12
- TBS2193X12
- TBS2493X12
- TBS2793X12
- TBS3093X12
- TBS3393X12
- TBS3693X12
- TBS1296X12
- TBS1596X12
- TBS1896X12
- TBS2196X12
- TBS2496X12
- TBS2796X12
- TBS3096X12
- TBS3396X12
- TBS3696X12

18" DEEP CABINETS

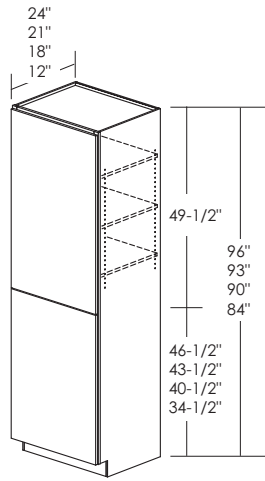
- TBS1284X18
- TBS1584X18
- TBS1884X18
- TBS2184X18
- TBS2484X18
- TBS2784X18
- TBS3084X18
- TBS3384X18
- TBS3684X18
- TBS1290X18
- TBS1590X18
- TBS1890X18
- TBS2190X18
- TBS2490X18
- TBS2790X18
- TBS3090X18
- TBS3390X18
- TBS3690X18
- TBS1293X18
- TBS1593X18
- TBS1893X18
- TBS2193X18
- TBS2493X18
- TBS2793X18
- TBS3093X18
- TBS3393X18
- TBS3693X18
- TBS1296X18
- TBS1596X18
- TBS1896X18
- TBS2196X18
- TBS2496X18
- TBS2796X18
- TBS3096X18
- TBS3396X18
- TBS3696X18

21" DEEP CABINETS

- TBS1284X21
- TBS1584X21
- TBS1884X21
- TBS2184X21
- TBS2484X21
- TBS2784X21
- TBS3084X21
- TBS3384X21
- TBS3684X21
- TBS1290X21
- TBS1590X21
- TBS1890X21
- TBS2190X21
- TBS2490X21
- TBS2790X21
- TBS3090X21
- TBS3390X21
- TBS3690X21
- TBS1293X21
- TBS1593X21
- TBS1893X21
- TBS2193X21
- TBS2493X21
- TBS2793X21
- TBS3093X21
- TBS3393X21
- TBS3693X21
- TBS1296X21
- TBS1596X21
- TBS1896X21
- TBS2196X1
- TBS2496X21
- TBS2796X21
- TBS3096X21
- TBS3396X21
- TBS3696X21

24" DEEP CABINETS

- TBS1284X24
- TBS1584X24
- TBS1884X24
- TBS2184X24
- TBS2484X24
- TBS2784X24
- TBS3084X24
- TBS3384X24
- TBS3684X24
- TBS1290X24
- TBS1590X24
- TBS1890X24
- TBS2190X24
- TBS2490X24
- TBS2790X24
- TBS3090X24
- TBS3390X24
- TBS3690X24
- TBS1293X24
- TBS1593X24
- TBS1893X24
- TBS2193X24
- TBS2493X24
- TBS2793X24
- TBS3093X24
- TBS3393X24
- TBS3693X24
- TBS1296X24
- TBS1596X24
- TBS1896X24
- TBS2196X24
- TBS2496X24
- TBS2796X24
- TBS3096X24
- TBS3396X24
- TBS3696X24



LINEN CABINET WITH SINGLE DOORS

- Three hinges per door on upper door, two hinges per door on bottom door
- Specify L or R door hinging
- Comes with three full depth adjustable shelves in upper section
- Bottom door on the 84" high linen is same height as a full height kitchen base cabinet
- Fixed center bottom behind the center rail
- Bottom door on 84" high linen cabinets will align with 34-1/2" high vanity cabinets

12" DEEP CABINETS

LC1284X12 L or R
LC1584X12 L or R
LC1884X12 L or R
LC2184X12 L or R

LC1290X12 L or R
LC1590X12 L or R
LC1890X12 L or R
LC2190X12 L or R

LC1293X12 L or R
LC1593X12 L or R
LC1893X12 L or R
LC2193X12 L or R

LC1296X12 L or R
LC1596X12 L or R
LC1896X12 L or R
LC2196X12 L or R

18" DEEP CABINETS

LC1284X18 L or R
LC1584X18 L or R
LC1884X18 L or R
LC2184X18 L or R

LC1290X18 L or R
LC1590X18 L or R
LC1890X18 L or R
LC2190X18 L or R

LC1293X18 L or R
LC1593X18 L or R
LC1893X18 L or R
LC2193X18 L or R

LC1296X18 L or R
LC1596X18 L or R
LC1896X18 L or R
LC2196X18 L or R

21" DEEP CABINETS

LC1284X21 L or R
LC1584X21 L or R
LC1884X21 L or R
LC2184X21 L or R

LC1290X21 L or R
LC1590X21 L or R
LC1890X21 L or R
LC2190X21 L or R

LC1293X21 L or R
LC1593X21 L or R
LC1893X21 L or R
LC2193X21 L or R

LC1296X21 L or R
LC1596X21 L or R
LC1896X21 L or R
LC2196X21 L or R

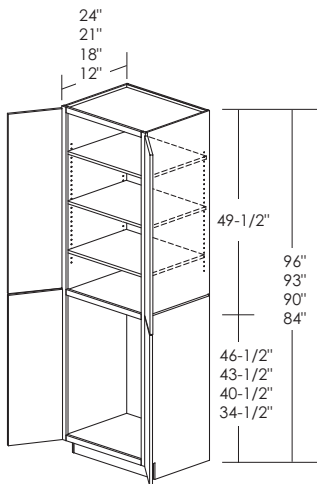
24" DEEP CABINETS

LC1284X24 L or R
LC1584X24 L or R
LC1884X24 L or R
LC2184X24 L or R

LC1290X24 L or R
LC1590X24 L or R
LC1890X24 L or R
LC2190X24 L or R

LC1293X24 L or R
LC1593X24 L or R
LC1893X24 L or R
LC2193X24 L or R

LC1296X24 L or R
LC1596X24 L or R
LC1896X24 L or R
LC2196X24 L or R



LINEN CABINET WITH BUTT DOORS

- Three hinges per door on upper doors, two hinges per door on bottom doors
- Comes with three full depth adjustable shelves in upper section
- Two butt doors on top and bottom sections
- Bottom door on the 84" high linen is same height as a full height kitchen base cabinet
- Fixed center bottom behind the center rail
- Bottom door on 84" high linen cabinets will align with 34-1/2" high vanity cabinets

12" DEEP CABINETS

LC2484BDX12
LC2784BDX12

LC2490BDX12
LC2790BDX12

LC2493BDX12
LC2793BDX12

LC2496BDX12
LC2796BDX12

18" DEEP CABINETS

LC2484BDX18
LC2784BDX18

LC2490BDX18
LC2790BDX18

LC2493BDX18
LC2793BDX18

LC2496BDX18
LC2796BDX18

21" DEEP CABINETS

LC2484BDX21
LC2784BDX21

LC2490BDX21
LC2790BDX21

LC2493BDX21
LC2793BDX21

LC2496BDX21
LC2796BDX21

24" DEEP CABINETS

LC2484BDX24
LC2784BDX24

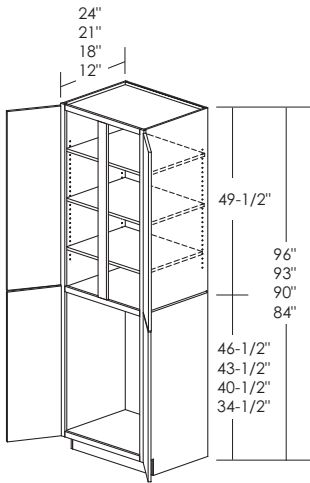
LC2490BDX24
LC2790BDX24

LC2493BDX24
LC2793BDX24

LC2496BDX24
LC2796BDX24

TALL CABINETRY

Toe Kick Height: 4-1/2".



LINEN CABINET WITH BUTT DOORS

- Three hinges per door on upper doors, two hinges per door on bottom doors
- Comes with three full depth adjustable shelves in upper section
- Two butt doors on top and bottom sections
- Top section will have vertical mullion. Bottom section has no mullion
- Bottom door on the 84" high linen is same height as a full height kitchen base cabinet
- Fixed center bottom behind the center rail
- Bottom door on 84" high linen cabinets will align with 34-1/2" high vanity cabinets

12" DEEP CABINETS

LC3084BDX12
LC3384BDX12
LC3684BDX12

LC3090BDX12
LC3390BDX12
LC3690BDX12

LC3093BDX12
LC3393BDX12
LC3693BDX12

LC3096BDX12
LC3396BDX12
LC3696BDX12

18" DEEP CABINETS

LC3084BDX18
LC3384BDX18
LC3684BDX18

LC3090BDX18
LC3390BDX18
LC3690BDX18

LC3093BDX18
LC3393BDX18
LC3693BDX18

LC3096BDX18
LC3396BDX18
LC3696BDX18

21" DEEP CABINETS

LC3084BDX21
LC3384BDX21
LC3684BDX21

LC3090BDX21
LC3390BDX21
LC3690BDX21

LC3093BDX21
LC3393BDX21
LC3693BDX21

LC3096BDX21
LC3396BDX21
LC3696BDX21

24" DEEP CABINETS

LC3084BDX24
LC3384BDX24
LC3684BDX24

LC3090BDX24
LC3390BDX24
LC3690BDX24

LC3093BDX24
LC3393BDX24
LC3693BDX24

LC3096BDX24
LC3396BDX24
LC3696BDX24

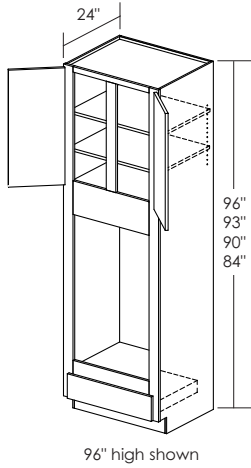
TALL CABINETRY

Toe Kick Height: 4-1/2".

DOUBLE OVEN CABINET WITH SINGLE DRAWER

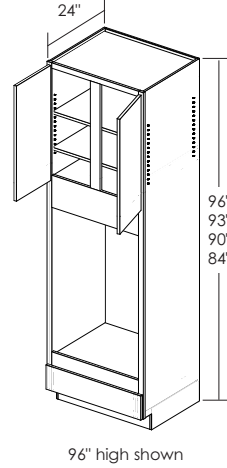
- Two hinges per door on upper doors
- One drawer on bottom
- 96" high has two adjustable shelves. 84" and 90" high have one adjustable shelf.
- Fixed center bottom behind the center rail
- Refer to page C7 for cut out instructions

1-1/2" REDUCED STILES OPTION:
Recommended to use when wall cabinets will be placed directly above the oven cabinet.



24" DEEP CABINETS

- OVD2784X24
- OVD3084X24
- OVD3384X24
- OVD2790X24
- OVD3090X24
- OVD3390X24
- OVD2793X24
- OVD3093X24
- OVD3393X24
- OVD2796X24
- OVD3096X24
- OVD3396X24



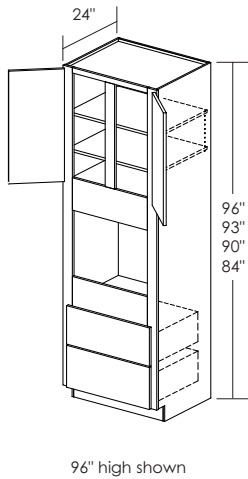
24" DEEP CABINETS with reduced stiles

- OVD2784RSX24
- OVD3084RSX24
- OVD3384RSX24
- OVD2790RSX24
- OVD3090RSX24
- OVD3390RSX24
- OVD2793RSX24
- OVD3093RSX24
- OVD3393RSX24
- OVD2796RSX24
- OVD3096RSX24
- OVD3396RSX24

SINGLE OVEN CABINET WITH TWO DRAWERS

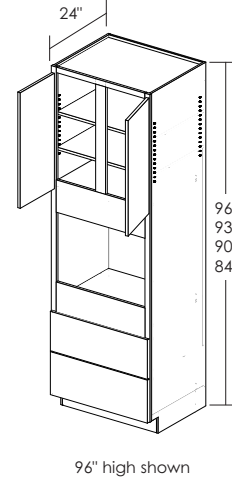
- Two hinges per door on upper doors
- Two drawers on bottom
- 96" high has two adjustable shelves. 84" and 90" high have one adjustable shelf.
- Fixed center bottom behind the center rail
- Refer to page C7 for cut out instructions

1-1/2" REDUCED STILES OPTION:
Recommended to use when wall cabinets will be placed directly above the oven cabinet.



24" DEEP CABINETS

- OVS2784X24
- OVS3084X24
- OVS3384X24
- OVS2790X24
- OVS3090X24
- OVS3390X24
- OVS2793X24
- OVS3093X24
- OVS3393X24
- OVS2796X24
- OVS3096X24
- OVS3396X24

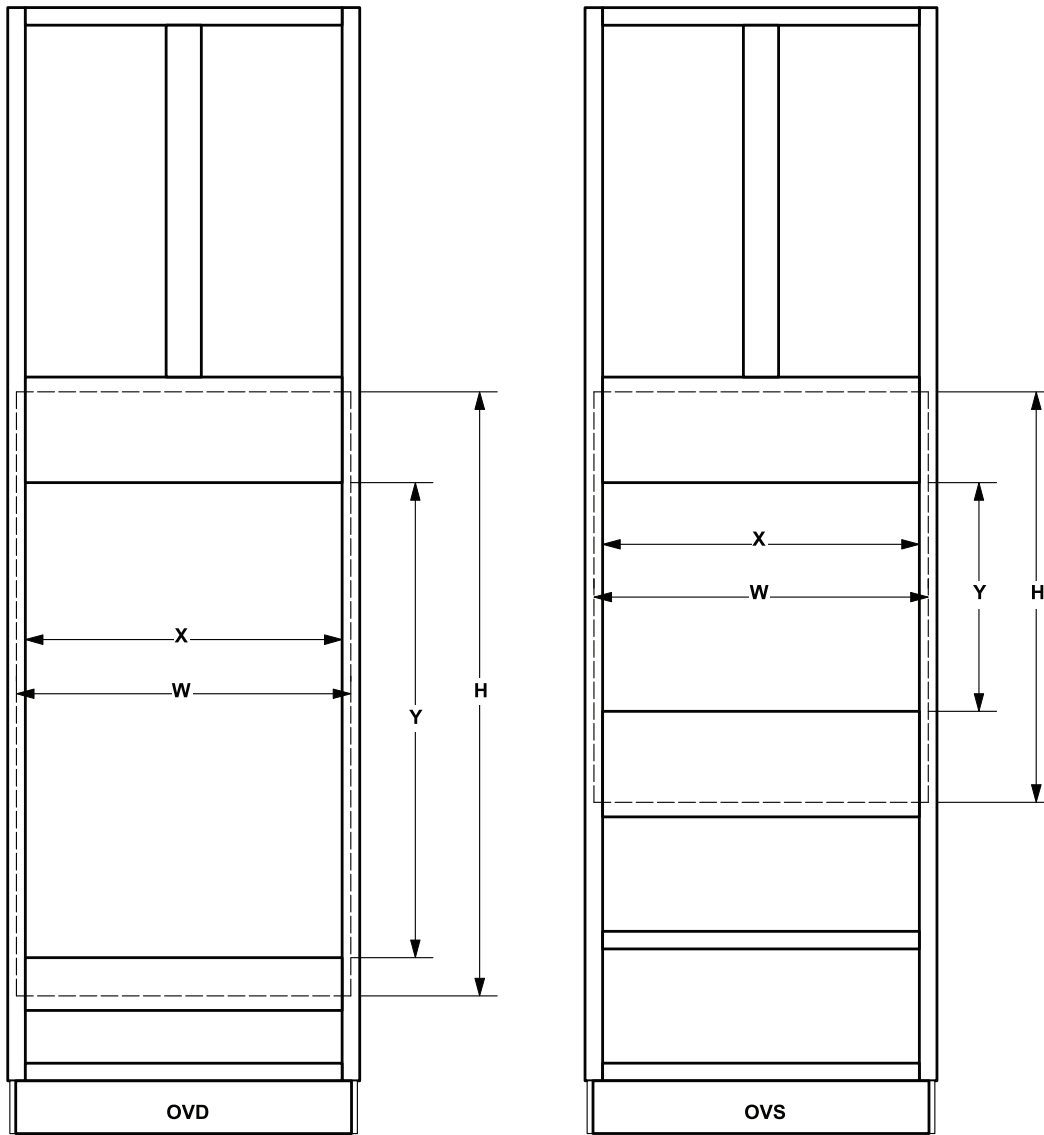


24" DEEP CABINETS with reduced stiles

- OVS2784RSX24
- OVS3084RSX24
- OVS3384RSX24
- OVS2790RSX24
- OVS3090RSX24
- OVS3390RSX24
- OVS2793RSX24
- OVS3093RSX24
- OVS3393RSX24
- OVS2796RSX24
- OVS3096RSX24
- OVS3396RSX24

CUT OUT INSTRUCTIONS FOR OVEN CABINETS

Toe Kick Height: 4-1/2".



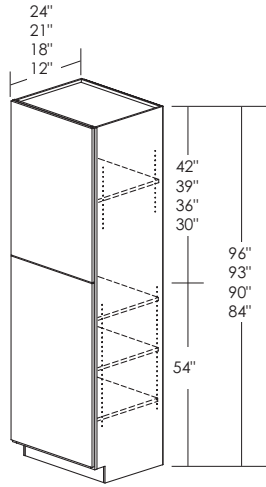
TALLS

Cabinet	X = Open Width	W = Max Cut-Out Width	Y = Open Height	H = Max Cut-Out Height
OVS27__	24"	25-1/2"	19-1/2"	35"
OVS30__	27"	28-1/2"	19-1/2"	35"
OVS33__	30"	31-1/2"	19-1/2"	35"
OVD27__	24"	25-1/2"	40-1/2"	51-1/2"
OVD30__	27"	28-1/2"	40-1/2"	51-1/2"
OVD33__	30"	31-1/2"	40-1/2"	51-1/2"
OVS27_RS	24"	25-1/2"	18-1/2"	34"
OVS30_RS	27"	28-1/2"	18-1/2"	34"
OVS33_RS	30"	31-1/2"	18-1/2"	34"
OVD27_RS	24"	25-1/2"	39-1/2"	50-1/2"
OVD30_RS	27"	28-1/2"	39-1/2"	50-1/2"
OVD33_RS	30"	31-1/2"	39-1/2"	50-1/2"

UNIVERSAL ACCESS TALL CABINETRY

Toe Kick Height: 5-1/2".

TALLS



UNIVERSAL ACCESS PANTRY CABINET WITH SINGLE DOORS

- Bottom door has three hinges. Upper door has two hinges, except 96" high cabinets have three hinges on top door.
- Specify L or R door hinging
- Comes with three full depth adjustable shelves in lower section and one full depth adjustable shelf in upper section
- Fixed center bottom behind the center rail

12" DEEP CABINETS

HCP1284X12 L or R
HCP1584X12 L or R
HCP1884X12 L or R
HCP2184X12 L or R

HCP1290X12 L or R
HCP1590X12 L or R
HCP1890X12 L or R
HCP2190X12 L or R

HCP1293X12 L or R
HCP1593X12 L or R
HCP1893X12 L or R
HCP2193X12 L or R

HCP1296X12 L or R
HCP1596X12 L or R
HCP1896X12 L or R
HCP2196X12 L or R

18" DEEP CABINETS

HCP1284X18 L or R
HCP1584X18 L or R
HCP1884X18 L or R
HCP2184X18 L or R

HCP1290X18 L or R
HCP1590X18 L or R
HCP1890X18 L or R
HCP2190X18 L or R

HCP1293X18 L or R
HCP1593X18 L or R
HCP1893X18 L or R
HCP2193X18 L or R

HCP1296X18 L or R
HCP1596X18 L or R
HCP1896X18 L or R
HCP2196X18 L or R

21" DEEP CABINETS

HCP1284X21 L or R
HCP1584X21 L or R
HCP1884X21 L or R
HCP2184X21 L or R

HCP1290X21 L or R
HCP1590X21 L or R
HCP1890X21 L or R
HCP2190X21 L or R

HCP1293X21 L or R
HCP1593X21 L or R
HCP1893X21 L or R
HCP2193X21 L or R

HCP1296X21 L or R
HCP1596X21 L or R
HCP1896X21 L or R
HCP2196X21 L or R

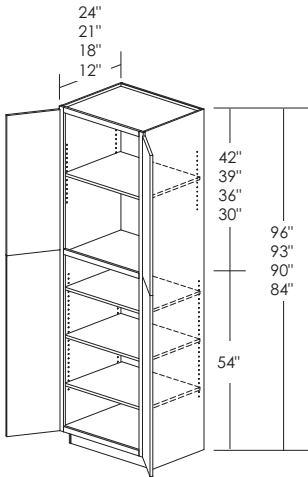
24" DEEP CABINETS

HCP1284X24 L or R
HCP1584X24 L or R
HCP1884X24 L or R
HCP2184X24 L or R

HCP1290X24 L or R
HCP1590X24 L or R
HCP1890X24 L or R
HCP2190X24 L or R

HCP1293X24 L or R
HCP1593X24 L or R
HCP1893X24 L or R
HCP2193X24 L or R

HCP1296X24 L or R
HCP1596X24 L or R
HCP1896X24 L or R
HCP2196X24 L or R



UNIVERSAL ACCESS PANTRY CABINET WITH BUTT DOORS

- Bottom door has three hinges. Upper door has two hinges, except 96" high cabinets have three hinges on top door.
- Comes with butt doors on top and bottom sections
- Comes with three full depth adjustable shelves in lower section and one full depth adjustable shelf in upper section
- Fixed center bottom behind the center rail

12" DEEP CABINETS

HCP2484BDX12
HCP2784BDX12

HCP2490BDX12
HCP2790BDX12

HCP2493BDX12
HCP2793BDX12

HCP2496BDX12
HCP2796BDX12

18" DEEP CABINETS

HCP2484BDX18
HCP2784BDX18

HCP2490BDX18
HCP2790BDX18

HCP2493BDX18
HCP2793BDX18

HCP2496BDX18
HCP2796BDX18

21" DEEP CABINETS

HCP2484BDX21
HCP2784BDX21

HCP2490BDX21
HCP2790BDX21

HCP2493BDX21
HCP2793BDX21

HCP2496BDX21
HCP2796BDX21

24" DEEP CABINETS

HCP2484BDX24
HCP2784BDX24

HCP2490BDX24
HCP2790BDX24

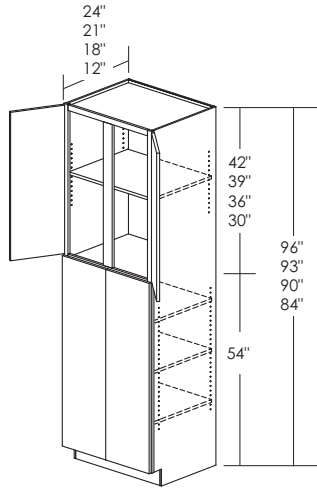
HCP2493BDX24
HCP2793BDX24

HCP2496BDX24
HCP2796BDX24

UNIVERSAL ACCESS TALL CABINETRY

Toe Kick Height: 5-1/2".

TALLS



UNIVERSAL ACCESS PANTRY CABINET WITH BUTT DOORS

- Bottom door has three hinges. Upper door has two hinges, except 96" high cabinets have three hinges on top door.
- Comes with butt doors on top and bottom sections
- Top section will have vertical mullion. Bottom section has no mullion.
- Comes with three full depth adjustable shelves in lower section and one full depth adjustable shelf in upper section
- Fixed center bottom behind the center rail

12" DEEP CABINETS

HCP3084BDX12
HCP3384BDX12
HCP3684BDX12

HCP3090BDX12
HCP3390BDX12
HCP3690BDX12

HCP3093BDX12
HCP3393BDX12
HCP3693BDX12

HCP3096BDX12
HCP3396BDX12
HCP3696BDX12

18" DEEP CABINETS

HCP3084BDX18
HCP3384BDX18
HCP3684BDX18

HCP3090BDX18
HCP3390BDX18
HCP3690BDX18

HCP3093BDX18
HCP3393BDX18
HCP3693BDX18

HCP3096BDX18
HCP3396BDX18
HCP3696BDX18

21" DEEP CABINETS

HCP3084BDX21
HCP3384BDX21
HCP3684BDX21

HCP3090BDX21
HCP3390BDX21
HCP3690BDX21

HCP3093BDX21
HCP3393BDX21
HCP3693BDX21

HCP3096BDX21
HCP3396BDX21
HCP3696BDX21

24" DEEP CABINETS

HCP3084BDX24
HCP3384BDX24
HCP3684BDX24

HCP3090BDX24
HCP3390BDX24
HCP3690BDX24

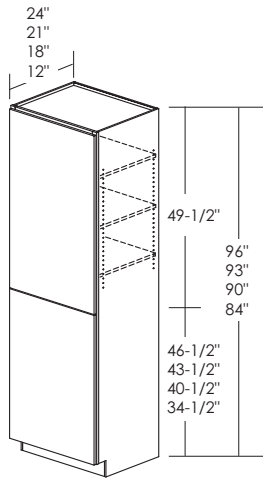
HCP3093BDX24
HCP3393BDX24
HCP3693BDX24

HCP3096BDX24
HCP3396BDX24
HCP3696BDX24

UNIVERSAL ACCESS TALL CABINETRY

Toe Kick Height: 5-1/2".

TALLS



UNIVERSAL ACCESS LINEN CABINET WITH SINGLE DOORS

- Three hinges per door on upper door, two hinges per door on bottom door
- Specify L or R door hinging
- Comes with three full depth adjustable shelves in upper section
- Fixed center bottom behind the center rail

12" DEEP CABINETS

HCLC1284X12 L or R
HCLC1584X12 L or R
HCLC1884X12 L or R
HCLC2184X12 L or R

HCLC1290X12 L or R
HCLC1590X12 L or R
HCLC1890X12 L or R
HCLC2190X12 L or R

HCLC1293X12 L or R
HCLC1593X12 L or R
HCLC1893X12 L or R
HCLC2193X12 L or R

HCLC1296X12 L or R
HCLC1596X12 L or R
HCLC1896X12 L or R
HCLC2196X12 L or R

18" DEEP CABINETS

HCLC1284X18 L or R
HCLC1584X18 L or R
HCLC1884X18 L or R
HCLC2184X18 L or R

HCLC1290X18 L or R
HCLC1590X18 L or R
HCLC1890X18 L or R
HCLC2190X18 L or R

HCLC1293X18 L or R
HCLC1593X18 L or R
HCLC1893X18 L or R
HCLC2193X18 L or R

HCLC1296X18 L or R
HCLC1596X18 L or R
HCLC1896X18 L or R
HCLC2196X18 L or R

21" DEEP CABINETS

HCLC1284X21 L or R
HCLC1584X21 L or R
HCLC1884X21 L or R
HCLC2184X21 L or R

HCLC1290X21 L or R
HCLC1590X21 L or R
HCLC1890X21 L or R
HCLC2190X21 L or R

HCLC1293X21 L or R
HCLC1593X21 L or R
HCLC1893X21 L or R
HCLC2193X21 L or R

HCLC1296X21 L or R
HCLC1596X21 L or R
HCLC1896X21 L or R
HCLC2196X21 L or R

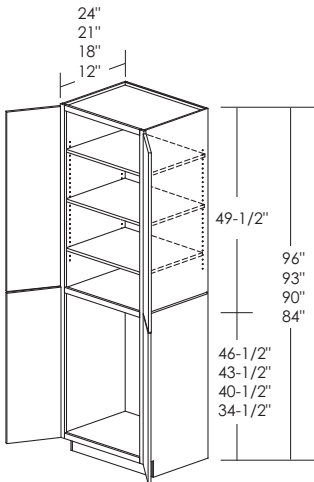
24" DEEP CABINETS

HCLC1284X24 L or R
HCLC1584X24 L or R
HCLC1884X24 L or R
HCLC2184X24 L or R

HCLC1290X24 L or R
HCLC1590X24 L or R
HCLC1890X24 L or R
HCLC2190X24 L or R

HCLC1293X24 L or R
HCLC1593X24 L or R
HCLC1893X24 L or R
HCLC2193X24 L or R

HCLC1296X24 L or R
HCLC1596X24 L or R
HCLC1896X24 L or R
HCLC2196X24 L or R



UNIVERSAL ACCESS LINEN CABINET WITH BUTT DOORS

- Three hinges per door on upper doors, two hinges per door on bottom doors
- Comes with three full depth adjustable shelves in upper section
- Two butt doors on top and bottom sections
- Fixed center bottom behind the center rail

12" DEEP CABINETS

HCLC2484BDX12
HCLC2784BDX12

HCLC2490BDX12
HCLC2790BDX12

HCLC2493BDX12
HCLC2793BDX12

HCLC2496BDX12
HCLC2796BDX12

18" DEEP CABINETS

HCLC2484BDX18
HCLC2784BDX18

HCLC2490BDX18
HCLC2790BDX18

HCLC2493BDX18
HCLC2793BDX18

HCLC2496BDX18
HCLC2796BDX18

21" DEEP CABINETS

HCLC2484BDX21
HCLC2784BDX21

HCLC2490BDX21
HCLC2790BDX21

HCLC2493BDX21
HCLC2793BDX21

HCLC2496BDX21
HCLC2796BDX21

24" DEEP CABINETS

HCLC2484BDX24
HCLC2784BDX24

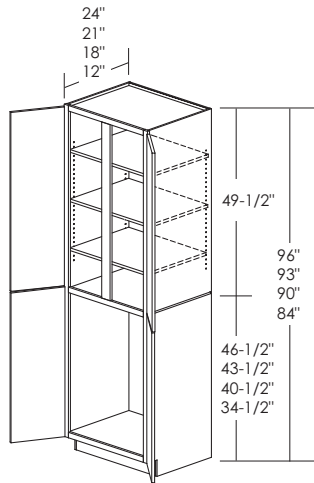
HCLC2490BDX24
HCLC2790BDX24

HCLC2493BDX24
HCLC2793BDX24

HCLC2496BDX24
HCLC2796BDX24

UNIVERSAL ACCESS TALL CABINETRY

Toe Kick Height: 5-1/2".



LINEN CABINET WITH BUTT DOORS

- Three hinges per door on upper doors, two hinges per door on bottom doors
- Comes with three full depth adjustable shelves in upper section
- Two butt doors on top and bottom sections
- Top section will have vertical mullion. Bottom section has no mullion
- Fixed center bottom behind the center rail

12" DEEP CABINETS

HCLC3084BDX12
HCLC3384BDX12
HCLC3684BDX12

HCLC3090BDX12
HCLC3390BDX12
HCLC3690BDX12

HCLC3093BDX12
HCLC3393BDX12
HCLC3693BDX12

HCLC3096BDX12
HCLC3396BDX12
HCLC3696BDX12

18" DEEP CABINETS

HCLC3084BDX18
HCLC3384BDX18
HCLC3684BDX18

HCLC3090BDX18
HCLC3390BDX18
HCLC3690BDX18

HCLC3093BDX18
HCLC3393BDX18
HCLC3693BDX18

HCLC3096BDX18
HCLC3396BDX18
HCLC3696BDX18

21" DEEP CABINETS

HCLC3084BDX21
HCLC3384BDX21
HCLC3684BDX21

HCLC3090BDX21
HCLC3390BDX21
HCLC3690BDX21

HCLC3093BDX21
HCLC3393BDX21
HCLC3693BDX21

HCLC3096BDX21
HCLC3396BDX21
HCLC3696BDX21

24" DEEP CABINETS

HCLC3084BDX24
HCLC3384BDX24
HCLC3684BDX24

HCLC3090BDX24
HCLC3390BDX24
HCLC3690BDX24

HCLC3093BDX24
HCLC3393BDX24
HCLC3693BDX24

HCLC3096BDX24
HCLC3396BDX24
HCLC3696BDX24

TALLS

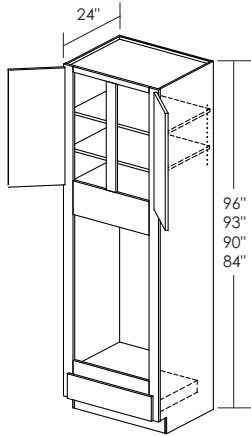
UNIVERSAL ACCESS TALL CABINERY

Toe Kick Height: 5-1/2".

UNIVERSAL ACCESS DOUBLE OVEN CABINET WITH SINGLE DRAWER

- Two hinges per door on upper doors
- One drawer on bottom
- 96" high has two adjustable shelves. 84" and 90" high have one adjustable shelf.
- Fixed center bottom behind the center rail
- Refer to page C13 for cut out instructions

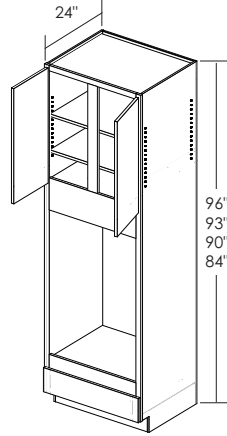
1-1/2" REDUCED STILES OPTION:
Recommended to use when wall cabinets will be placed directly above the oven cabinet.



96" high shown

24" DEEP CABINETS with 3" stiles

- HCOVD2784X24
- HCOVD3084X24
- HCOVD3384X24
- HCOVD2790X24
- HCOVD3090X24
- HCOVD3390X24
- HCOVD2793X24
- HCOVD3093X24
- HCOVD3393X24
- HCOVD2796X24
- HCOVD3096X24
- HCOVD3396X24



96" high shown

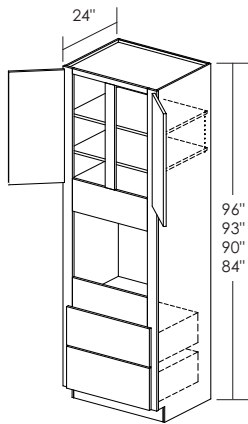
24" DEEP CABINETS with reduced stiles

- HCOVD2784RSX24
- HCOVD3084RSX24
- HCOVD3384RSX24
- HCOVD2790RSX24
- HCOVD3090RSX24
- HCOVD3390RSX24
- HCOVD2793RSX24
- HCOVD3093RSX24
- HCOVD3393RSX24
- HCOVD2796RSX24
- HCOVD3096RSX24
- HCOVD3396RSX24

UNIVERSAL ACCESS SINGLE OVEN CABINET WITH TWO DRAWERS

- Two hinges per door on upper doors
- Two drawers on bottom
- 96" high has two adjustable shelves. 84" and 90" high have one adjustable shelf.
- Fixed center bottom behind the center rail
- Refer to page C13 for cut out instructions

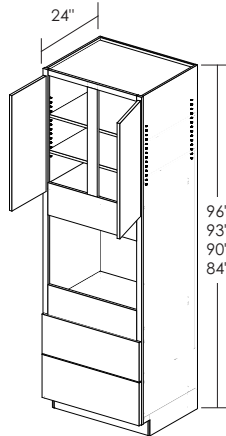
1-1/2" REDUCED STILES OPTION:
Recommended to use when wall cabinets will be placed directly above the oven cabinet.



96" high shown

24" DEEP CABINETS with 3" stiles

- HCOVS2784X24
- HCOVS3084X24
- HCOVS3384X24
- HCOVS2790X24
- HCOVS3090X24
- HCOVS3390X24
- HCOVS2793X24
- HCOVS3093X24
- HCOVS3393X24
- HCOVS2796X24
- HCOVS3096X24
- HCOVS3396X24



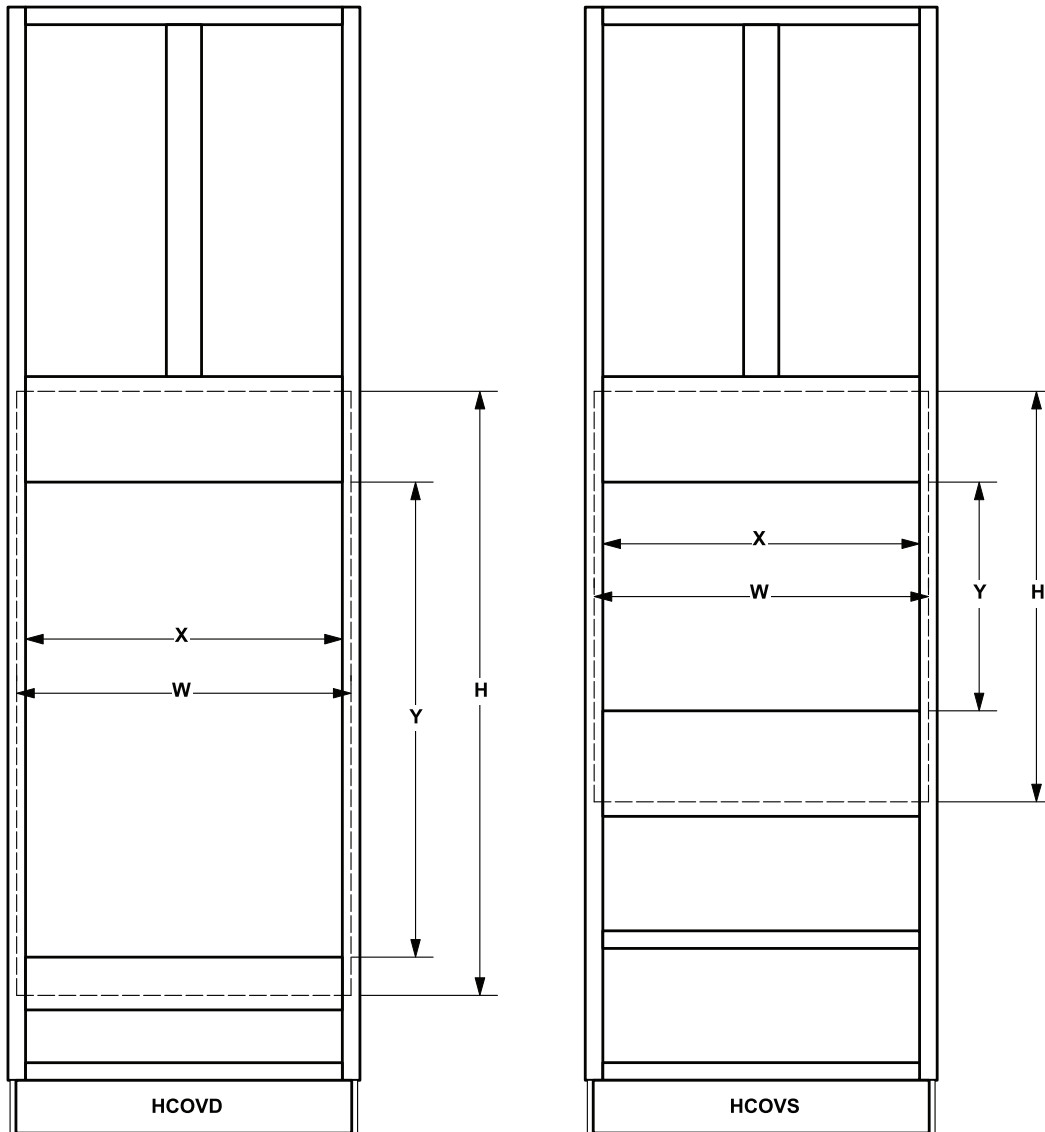
96" high shown

24" DEEP CABINETS with reduced stiles

- HCOVS2784RSX24
- HCOVS3084RSX24
- HCOVS3384RSX24
- HCOVS2790RSX24
- HCOVS3090RSX24
- HCOVS3390RSX24
- HCOVS2793RSX24
- HCOVS3093RSX24
- HCOVS3393RSX24
- HCOVS2796RSX24
- HCOVS3096RSX24
- HCOVS3396RSX24

CUT OUT INSTRUCTIONS FOR UNIVERSAL ACCESS OVEN CABINETS

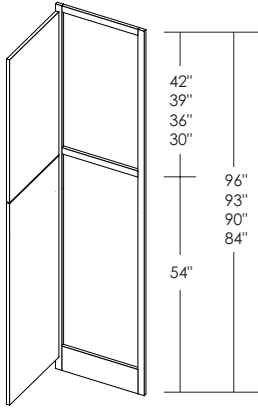
Toe Kick Height: 5-1/2".



Cabinet	X = Open Width	W = Max Cut-Out Width	Y = Open Height	H = Max Cut-Out Height
HCOVS27__	21"	25-1/2"	19-1/2"	35"
HCOVS30__	24"	28-1/2"	19-1/2"	35"
HCOVS33__	27"	31-1/2"	19-1/2"	35"
HCOVD27__	21"	25-1/2"	40-1/2"	51-1/2"
HCOVD30__	24"	28-1/2"	40-1/2"	51-1/2"
HCOVD33__	27"	31-1/2"	40-1/2"	51-1/2"
HCOVS27_RS	24"	25-1/2"	18-1/2"	34"
HCOVS30_RS	27"	28-1/2"	18-1/2"	34"
HCOVS33_RS	30"	31-1/2"	18-1/2"	34"
HCOVD27_RS	24"	25-1/2"	39-1/2"	50-1/2"
HCOVD30_RS	27"	28-1/2"	39-1/2"	50-1/2"
HCOVD33_RS	30"	31-1/2"	39-1/2"	50-1/2"

TALL CABINERY FRONTS

PF Toe Kick Height: 4-1/2".
HCPF Toe Kick Height: 5-1/2".



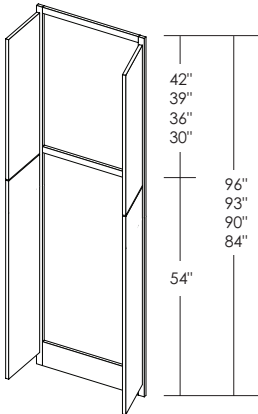
PANTRY FRONTS WITH SINGLE DOORS

- Bottom door has three hinges. Upper door has two hinges, except 96" high cabinets have three hinges on top door
- Specify L or R door hinging

PF1284 L or R	PF1290 L or R	PF1293 L or R	PF1296 L or R
PF1584 L or R	PF1590 L or R	PF1593 L or R	PF1596 L or R
PF1884 L or R	PF1890 L or R	PF1893 L or R	PF1896 L or R
PF2184 L or R	PF2190 L or R	PF2193 L or R	PF2196 L or R

UNIVERSAL ACCESS PANTRY FRONTS WITH SINGLE DOORS

HCPF1284 L or R	HCPF1290 L or R	HCPF1293 L or R	HCPF1296 L or R
HCPF1584 L or R	HCPF1590 L or R	HCPF1593 L or R	HCPF1596 L or R
HCPF1884 L or R	HCPF1890 L or R	HCPF1893 L or R	HCPF1896 L or R
HCPF2184 L or R	HCPF2190 L or R	HCPF2193 L or R	HCPF2196 L or R



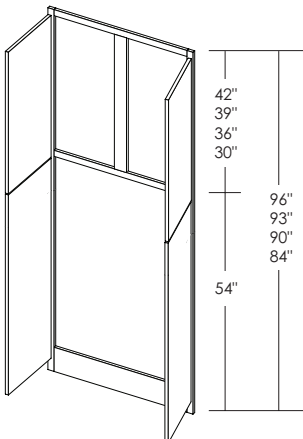
PANTRY FRONTS WITH BUTT DOORS

- Bottom door has three hinges. Upper door has two hinges, except 96" high cabinets have three hinges on top door
- Comes with butt doors on top and bottom sections

PF2484BD	PF2490BD	PF2493BD	PF2496BD
PF2784BD	PF2790BD	PF2793BD	PF2796BD

UNIVERSAL ACCESS PANTRY FRONTS WITH BUTT DOORS

HCPF2484BD	HCPF2490BD	HCPF2493BD	HCPF2496BD
HCPF2784BD	HCPF2790BD	HCPF2793BD	HCPF2796BD



PANTRY FRONTS WITH BUTT DOORS ON LOWER SECTION

- Bottom door has three hinges. Upper door has two hinges, except 96" high cabinets have three hinges on top door
- Comes with butt doors on top and bottom sections. Top section will have vertical mullion. Bottom section has no mullion

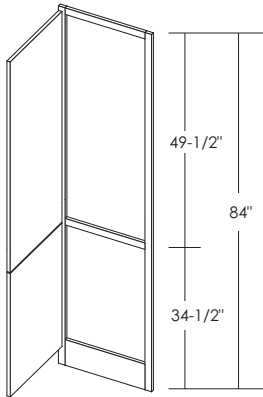
PF3084BD	PF3090BD	PF3093BD	PF3096BD
PF3384BD	PF3390BD	PF3393BD	PF3396BD
PF3684BD	PF3690BD	PF3693BD	PF3696BD

UNIVERSAL ACCESS PANTRY FRONTS WITH BUTT DOORS ON LOWER SECTION

HCPF3084BD	HCPF3090BD	HCPF3093BD	HCPF3096BD
HCPF3384BD	HCPF3390BD	HCPF3393BD	HCPF3396BD
HCPF3684BD	HCPF3690BD	HCPF3693BD	HCPF3696BD

TALL CABINETRY FRONTS

LF Toe Kick Height: 4-1/2".
HCLF Toe Kick Height: 5-1/2".



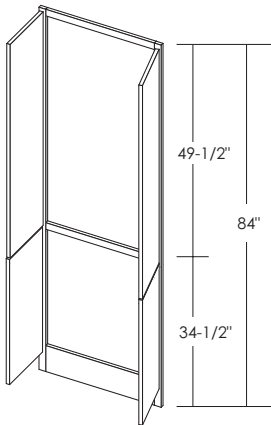
LINEN FRONTS WITH SINGLE DOORS

- Three hinges per door on upper door, two hinges per door on bottom door
- Specify L or R door hinging
- Can be used with 34-1/2" high vanity cabinets

LF1284 L or R
LF1584 L or R
LF1884 L or R
LF2184 L or R

UNIVERSAL ACCESS LINEN FRONTS WITH SINGLE DOORS

HCLF1284 L or R
HCLF1584 L or R
HCLF1884 L or R
HCLF2184 L or R



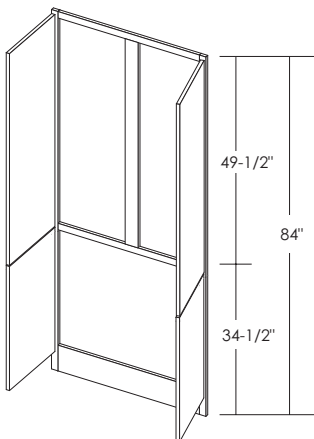
LINEN FRONTS WITH BUTT DOORS

- Bottom door has three hinges. Upper doors have two hinges
- Comes with butt doors on top and bottom sections
- Can be used with 34-1/2" high vanity cabinets

LF2484BD
LF2784BD

UNIVERSAL ACCESS LINEN FRONTS WITH BUTT DOORS

HCLF2484BD
HCLF2784BD



LINEN FRONTS WITH BUTT DOORS ON LOWER SECTION

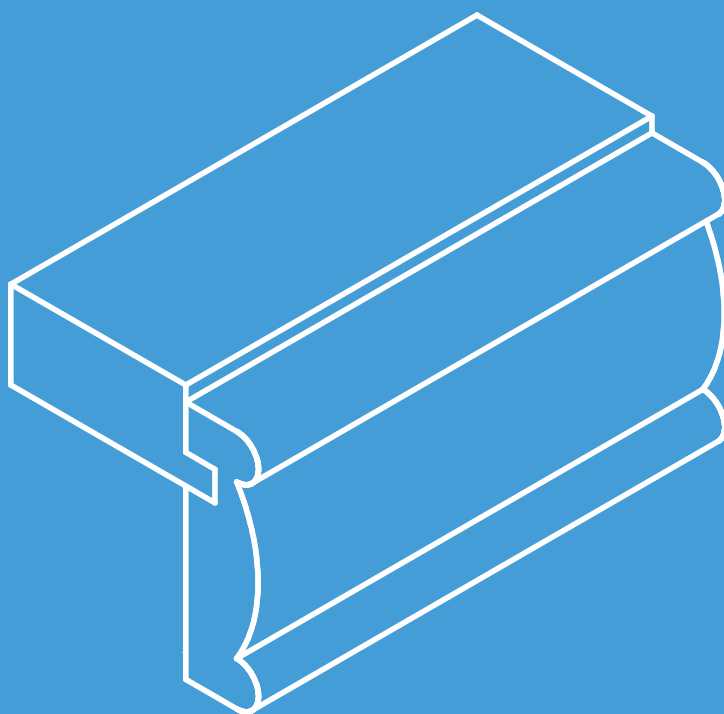
- Bottom door has three hinges. Upper doors have two hinges
- Comes with butt doors on top and bottom sections
- Top section will have vertical mullion. Bottom section has no mullion
- Can be used with 34-1/2" high vanity cabinets

LF3084BD
LF3384BD
LF3684BD

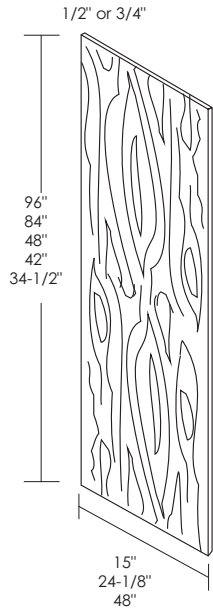
UNIVERSAL ACCESS LINEN FRONTS WITH BUTT DOORS ON LOWER SECTION

HCLF3084BD
HCLF3384BD
HCLF3684BD

FRAMED ACCESSORIES



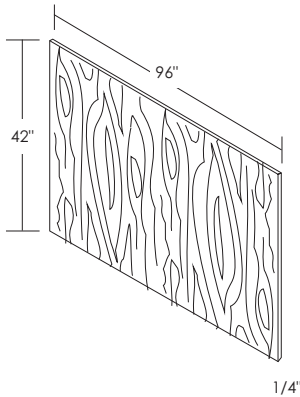
FRAMED ACCESSORIES



PANELS

- Grain pattern runs vertically and each panel is banded on front and back edges
- Laminate composite panel or plywood panel
- For plywood panel, order with PLY designation

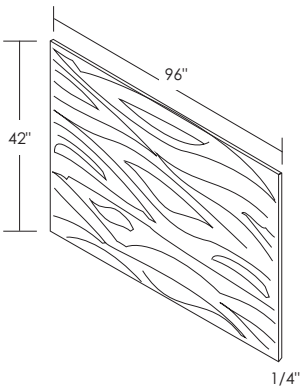
	1/2" Paper on composite panel	3/4" Paper on composite panel	1/2" Paper on plywood panel	3/4" Paper on plywood panel	Actual Size
Base Height	EP2434P	EP2434P-3/4	EP2434P-PLY	EP2434P-3/4-PLY	24"W x 34-1/2"H
42" Tall Wall	EP1542P	EP1542P-3/4	EP1542P-PLY	EP1542P-3/4-PLY	15"W X 42"H
84" Tall Base	EP2484P	EP2484P-3/4	EP2484P-PLY	EP2484P-3/4-PLY	24"W x 84"H
96" Tall Base	EP2496P	EP2496P-3/4	EP2496P-PLY	EP2496P-3/4-PLY	24"W x 96"H
48" Wide Base Height	EP4834P	EP4834P-3/4	EP4834P-PLY	EP4834P-3/4-PLY	48"W x 34-1/2"H
1/2 Sheet	EP4848P		EP4848P-PLY		48"W x 48"H
Full Sheet	EP4896P		EP4896P-PLY		48"W x 96"H



SHORT GRAIN PLYWOOD PANEL

- Available in oak or maple veneer (short grained)
- 1/4" thick
- Not available with painted finishes

PLYS42x96

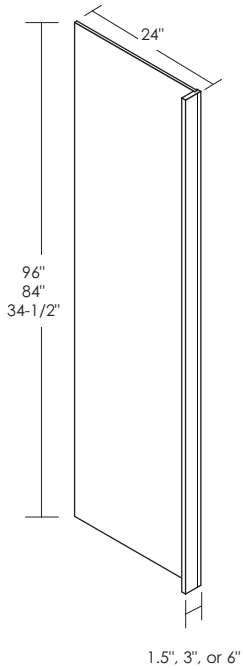


LONG GRAIN PLYWOOD PANEL

- Available in oak or maple veneer (long grained)
- 1/4" thick

PLYL42x96

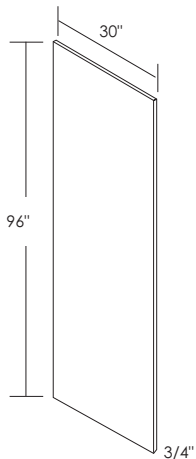
FRAMED ACCESSORIES



RETURN PANELS

- Filler finished on front face and on two long edges
- End panel has matching finish on both faces
- Vertical grain only
- For plywood end panel, order with PLY designation
- * Melamine fillers for use with London and Lucina finishes only

Return Panels	1/2" Return w/ 3/4" Laminate Front	1/2" Return w/ 5/8" Melamine Filler *	1/2" Return w/ 3/4" Solid Front	Actual Size
Base 3" Front DW End Panel	BRP3L	BRP3M	BRP3S BRP3S-PLY	3"W x 34-1/2"H x 24"D
Base 6" Front DW End Panel	BRP6L	BRP6M	BRP6S BRP6S-PLY	6"W x 34-1/2"H x 24"D
84" Tall Base Depth 3" Front	TRP384L	TRP384M	TRP384S TRP384S-PLY	3"W x 84"H x 24"D
96" Tall Base Depth 3" Front	TRP396L	TRP396M	TRP396S TRP396S-PLY	3"W x 96"H x 24"D
Base 1.5" Front DW End Panel			BRP1.5S BRP1.5S-PLY	1.5"W x 34-1/2"H x 24"D
84" Tall Base Depth 1.5" Front			TRP1.584S TRP1.584S-PLY	1.5"W x 84"H x 24"D
96" Tall Base Depth 1.5" Front			TRP1.596S TRP1.596S-PLY	1.5"W x 96"H x 24"D
84" Tall 12" Depth End Panel	TRP384X12L		TRP384X12S TRP384X12S-PLY TRP1.584X12S TRP1.584X12S-PLY	3"W x 84"H x 12"D 1.5"W x 84"H x 12"D
96" Tall 12" Depth End Panel	TRP396X12L		TRP396X12S TRP396X12S-PLY TRP1.596X12S TRP1.596X12S-PLY	3"W x 96"H x 12"D 1.5"W x 96"H x 12"D



UNIVERSAL REFRIGERATOR END PANEL

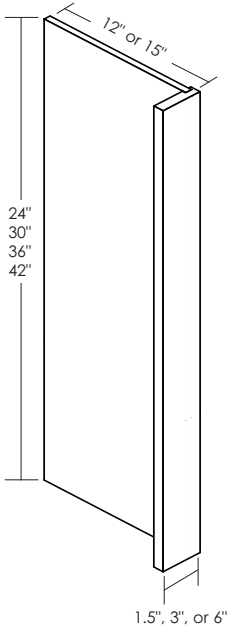
- Available in oak or maple veneer, or laminate exterior
- Trimmable height and depth
- Finished on both sides and edge banded on both long edges
- L – Laminate on 3/4" thick composite panel
- V – Stained veneer on 3/4" thick plywood panel

On composite panel:
UREP30L

On plywood panel:
UREP30V-PLY

FRAMED ACCESSORIES

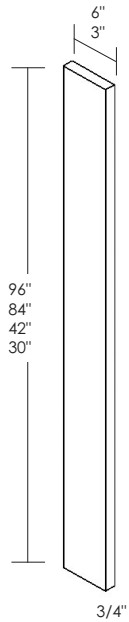
WALL RETURN PANELS



- Filler finished on front face and on two long edges
 - End panel has matching finish on both faces
 - Vertical grain only
 - For plywood end panel, order with PLY designation
 - **Upgrade option available:** Banded top and bottom edges
- * Melamine fillers for use with London and Lucina finishes only

Wall Return Panels	1/2" Return w/ 3/4" Laminate Front	1/2" Return w/ 5/8" Melamine filler *	1/2" Return w/ 3/4 Solid Front	Actual Size
3" Front 24"H x 12"D	WRP324L-12D	WRP324M-12D	WRP324S-12D WRP324S-12D-PLY	3"W x 24"H x 12"D
3" Front 30"H x 12"D	WRP330L-12D	WRP330M-12D	WRP330S-12D WRP330S-12D-PLY	3"W x 30"H x 12"D
3" Front 36"H x 12"D	WRP336L-12D	WRP336M-12D	WRP336S-12D WRP336S-12D-PLY	3"W x 36"H x 12"D
3" Front 42"H x 12"D	WRP342L-12D	WRP342M-12D	WRP342S-12D WRP342S-12D-PLY	3"W x 42"H x 12"D
6" Front 24"H x 12"D	WRP624L-12D	WRP624M-12D	WRP624S-12D WRP624S-12D-PLY	6"W x 24"H x 12"D
6" Front 30"H x 12"D	WRP630L-12D	WRP630M-12D	WRP630S-12D WRP630S-12D-PLY	6"W x 30"H x 12"D
6" Front 36"H x 12"D	WRP636L-12D	WRP636M-12D	WRP636S-12D WRP636S-12D-PLY	6"W x 36"H x 12"D
6" Front 42"H x 12"D	WRP642L-12D	WRP642M-12D	WRP642S-12D WRP642S-12D-PLY	6"W x 42"H x 12"D
3" Front 24"H x 15"D	WRP324L-15D	WRP324M-15D	WRP324S-15D WRP324S-15D-PLY	3"W x 24"H x 15"D
3" Front 30"H x 15"D	WRP330L-15D	WRP330M-15D	WRP330S-15D WRP330S-15D-PLY	3"W x 30"H x 15"D
3" Front 36"H x 15"D	WRP336L-15D	WRP336M-15D	WRP336S-15D WRP336S-15D-PLY	3"W x 36"H x 15"D
3" Front 42"H x 15"D	WRP342L-15D	WRP342M-15D	WRP342S-15D WRP342S-15D-PLY	3"W x 42"H x 15"D
6" Front 24"H x 15"D	WRP624L-15D	WRP624M-15D	WRP624S-15D WRP624S-15D-PLY	6"W x 24"H x 15"D
6" Front 30"H x 15"D	WRP630L-15D	WRP630M-15D	WRP630S-15D WRP630S-15D-PLY	6"W x 30"H x 15"D
6" Front 36"H x 15"D	WRP636L-15D	WRP636M-15D	WRP636S-15D WRP636S-15D-PLY	6"W x 36"H x 15"D
6" Front 42"H x 15"D	WRP642L-15D	WRP642M-15D	WRP642S-15D WRP642S-15D-PLY	6"W x 42"H x 15"D
1.5" Front 24"H x 12"D			WRP1.524S-12D WRP1.524S-12D-PLY	1.5"W x 24"H x 12"D
1.5" Front 30"H x 12"D			WRP1.530S-12D WRP1.530S-12D-PLY	1.5"W x 30"H x 12"D
1.5" Front 36"H x 12"D			WRP1.536S-12D WRP1.536S-12D-PLY	1.5"W x 36"H x 12"D
1.5" Front 42"H x 12"D			WRP1.542S-12D WRP1.542S-12D-PLY	1.5"W x 42"H x 12"D
1.5" Front 24"H x 15"D			WRP1.524S-15D WRP1.524S-15D-PLY	1.5"W x 24"H x 15"D
1.5" Front 30"H x 15"D			WRP1.530S-15D WRP1.530S-15D-PLY	1.5"W x 30"H x 15"D
1.5" Front 36"H x 15"D			WRP1.536S-15D WRP1.536S-15D-PLY	1.5"W x 36"H x 15"D
1.5" Front 42"H x 15"D			WRP1.542S-15D WRP1.542S-15D-PLY	1.5"W x 42"H x 15"D

FRAMED ACCESSORIES



FILLERS

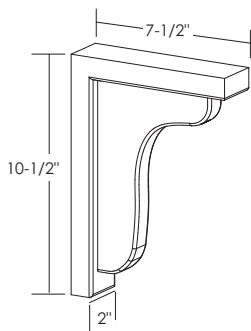
- Solid fillers will be stained or painted to match
- F*84S-FINISHEDALLSIDES and F*96S-FINISHEDALLSIDES have all four edges and front face finished
- * Melamine fillers for use with London and Lucina finishes only

	3/4" Laminate	3/4" Solid	5/8" Melamine Fillers*	Actual Size
30" High	F330L F630L	F330S F630S	F330M F630M	3"W x 30"H 6"W x 30"H
42" High	F342L F642L	F342S F642S	F342M F642M	3"W x 42"H 6"W x 42"H
84" High	F384L F684L	F384S F684S F384S-FINISHEDALLSIDES F684S-FINISHEDALLSIDES	F384M F684M	3"W x 84"H 6"W x 84"H
96" High	F396L F696L	F396S F696S F396S-FINISHEDALLSIDES F696S-FINISHEDALLSIDES	F396M F696M	3"W x 96"H 6"W x 96"H

BANDED FILLERS

- One long edge banded 34.5 and 32.5 high
- 96" High is banded on both long edges

	3/4" Laminate	Actual Size
34.5" High	F334.5L-BANDED F634.5L-BANDED	3"W x 34.5"H 6"W x 34.5"H
32.5" High	F332.5L-BANDED F632.5L-BANDED	3"W x 32.5"H 6"W x 32.5"H
96" High	F396L-BANDED F696L-BANDED	

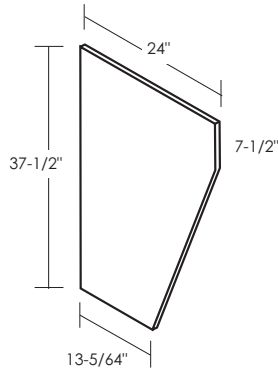


COUNTER SUPPORT CORBEL

- Solid wood painted or stained to match cabinet exterior

CS

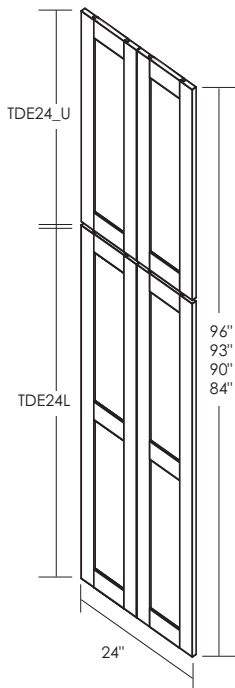
FRAMED ACCESSORIES



DESK END PANEL

- Finished on two faces
- Edgebanded on front edge
- For plywood panel, order with PLY designation
- Vertical grain only
- 1/2" thick

DEP
DEP-PLY



TALL DECORATIVE END PANELS



- **TDE24_U and TDE24L must be ordered together**
- TDE's are decorative doors for the sides of 24" D pantry cabinets
- Shipped loose for field installation
- TDE24_U has two cabinet doors used for decorative ends on the upper section of tall cabinets
- TDE24L has two cabinet doors used for decorative ends on the lower section of tall cabinets



UPPER PANELS

TDE2496U
TDE2493U
TDE2490U
TDE2484U

LOWER PANEL

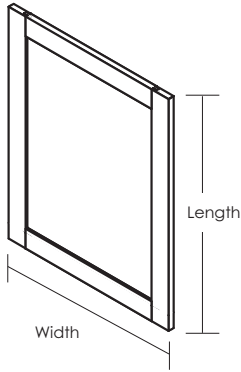
TDE24L

UPPER DOORS	Standard Overlay		Full Overlay		Extended Overlay	
	Width	Length	Width	Length	Width	Length
TDE2496U	11	40	11.75	41	11.75	41.25
TDE2493U	11	37	11.75	38	11.75	38.25
TDE2490U	11	34	11.75	35	11.75	35.25
TDE2484U	11	28	11.75	29	11.75	29.25

LOWER DOOR	Standard Overlay		Full Overlay		Extended Overlay	
	Width	Length	Width	Length	Width	Length
TDE24L	11	48.5	11.75	49.5	11.75	49.75

FRAMED ACCESSORIES

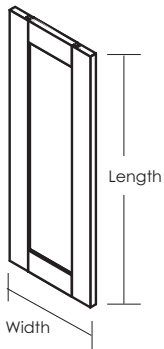
BASE DECORATIVE END PANEL



- BDE is a decorative door for the side of 24" deep base cabinets
- Shipped loose for field installation

	Standard Overlay		Full Overlay		Extended Overlay	
	Width	Length	Width	Length	Width	Length
BDE	22	28	23.5	29	23.5	29.25
BDE, AD21	19	28	20.5	29	20.5	29.25
HCBDE	22	25	23.5	26	23.5	26.25
HCBDE, AD21	19	25	20.5	26	20.5	26.25
VDE	19	25	20.5	26	20.5	26.25

WALL DECORATIVE END PANELS



- WDE are decorative doors for the sides of wall cabinets
- Shipped loose for field installation

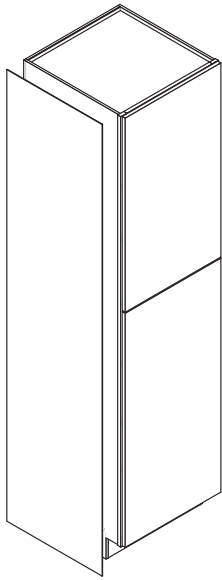
For 12" Deep Wall Cabinets	Standard Overlay		Full Overlay		Extended Overlay	
	Width	Length	Width	Length	Width	Length
WDE42	10	40	11.5	41	11.5	41.25
WDE39	10	37	11.5	38	11.5	38.25
WDE36	10	34	11.5	35	11.5	35.25
WDE30	10	28	11.5	29	11.5	29.25
WDE24	10	22	11.5	23	11.5	23.25

For 15" Deep Wall Cabinets	Standard Overlay		Full Overlay		Extended Overlay	
	Width	Length	Width	Length	Width	Length
WDE42, AD15	13	40	14.5	41	14.5	41.25
WDE39, AD15	13	37	14.5	38	14.5	38.25
WDE36, AD15	13	34	14.5	35	14.5	35.25
WDE30, AD15	13	28	14.5	29	14.5	29.25
WDE24, AD15	13	22	14.5	23	14.5	23.25

For 12" Deep Stacked Wall Cabinets	Standard Overlay		Full Overlay		Extended Overlay	
	Width	Length	Width	Length	Width	Length
WDE54	10	52	11.5	53	11.5	53.25
WDE51	10	49	11.5	50	11.5	50.25
WDE48	10	46	11.5	47	11.5	47.25

For 15" Deep Stacked Wall Cabinets	Standard Overlay		Full Overlay		Extended Overlay	
	Width	Length	Width	Length	Width	Length
WDE54, AD15	13	52	14.5	53	14.5	53.25
WDE51, AD15	13	49	14.5	50	14.5	50.25
WDE48, AD15	13	46	14.5	47	14.5	47.25

FRAMED ACCESSORIES



This application depicts a skin applied to a pantry cabinet

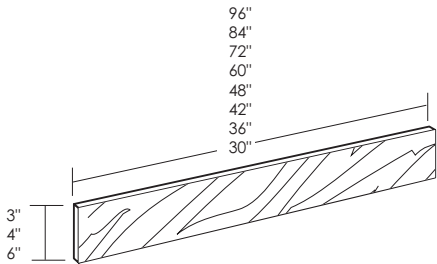
END SKIN

- Paper skin has color matching laminate on one side
- Veneer skin is stained or painted to match finish on one side

	1/8" Paper	3.6mm Veneer	Actual Size
Base	SK2434P	SK2434V	23-3/8"W x 34-1/2"H
30"H x 12"D Wall Cabinet	SK1230P	SK1230V	11-1/4"W x 30"H
42"H x 12"D Wall Cabinet	SK1242P	SK1242V	11-1/4"W x 42"H
30"H x 15"D Wall Cabinet	SK1530P	SK1530V	14-1/4"W x 30"H
42"H x 15"D Wall Cabinet	SK1542P	SK1542V	14-1/4"W x 42"H
84" Tall Pantry	SK2484P	SK2484V	23 3/8"W x 84"H
96" Tall Pantry	SK2496P	SK2496V	23 3/8"W x 96"H
48" Wide Base Skin	SK4834P	SK4834V	48"W x 34-1/2"H
1/2 Sheet	SK4848P		48"W x 48"H
Full Sheet	SK4896P		48"W x 96"H

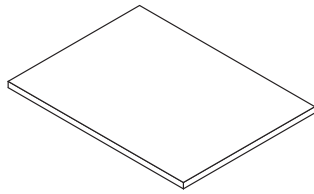
VALANCES

- Finished on one face and one long edge
- Field Trimmable
- 3/4"
- Horizontal long grain only



	3/4" Laminate Particle Board	3/4" Solid	Actual Size
3" Wide Valances	STVAL30X3L	STVAL30X3S	3"W x 30"L
	STVAL36X3L	STVAL36X3S	3"W x 36"L
	STVAL42X3L	STVAL42X3S	3"W x 42"L
	STVAL48X3L	STVAL48X3S	3"W x 48"L
	STVAL60X3L	STVAL60X3S	3"W x 60"L
	STVAL72X3L	STVAL72X3S	3"W x 72"L
	STVAL84X3L	STVAL84X3S	3"W x 84"L
	STVAL96X3L	STVAL96X3S	3"W x 96"L
	4" Wide Valances	STVAL30x4L	STVAL30x4S
STVAL36x4L		STVAL36x4S	4"W x 36"L
STVAL42x4L		STVAL42x4S	4"W x 42"L
STVAL48x4L		STVAL48x4S	4"W x 48"L
STVAL60x4L		STVAL60x4S	4"W x 60"L
STVAL72x4L		STVAL72x4S	4"W x 72"L
STVAL84x4L		STVAL84x4S	4"W x 84"L
STVAL96x4L		STVAL96x4S	4"W x 96"L
6" Wide Valances	STVAL30x6L	STVAL30x6S	6"W x 30"L
	STVAL36x6L	STVAL36x6S	6"W x 36"L
	STVAL42x6L	STVAL42x6S	6"W x 42"L
	STVAL48x6L	STVAL48x6S	6"W x 48"L
	STVAL60x6L	STVAL60x6S	6"W x 60"L
	STVAL72x6L	STVAL72x6S	6"W x 72"L
	STVAL84x6L	STVAL84x6S	6"W x 84"L
	STVAL96x6L	STVAL96x6S	6"W x 96"L

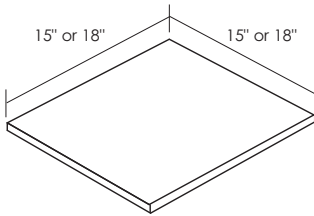
FRAMED ACCESSORIES



MICROWAVE SHELVES

- Grain pattern runs vertically
- Veneer plywood finished on both sides and edge banded on three edges

Shelf Name	Fits Microwave Cabinet	Cabinet Width	Shelf Width
MWS2718	MWC27_ _	27"	24"
MWS3018	MWC30_ _	30"	27"
MWS3318	MWC33_ _	33"	30"

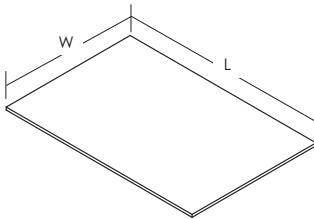


WALL CABINET CORNER PLUG

- Available in plywood or composite panel
- Finish is available in natural or white

On composite panel:
WCP15
WCP18

On plywood panel:
WCP15-PLY
WCP18-PLY



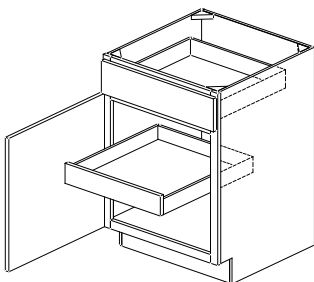
FLOORS

Composite Panel

	L	W
FLOOR2	24"	24"
FLOOR3	36"	24"
FLOOR4	48"	24"

Plywood Panel

	L	W
FLOOR2-PLY	24"	24"
FLOOR3-PLY	36"	24"
FLOOR4-PLY	48"	24"



Shelf kit shown as installed above

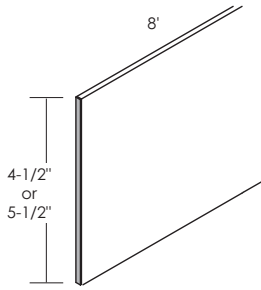
ROLL OUT SHELF KIT

- Cabinet is ordered separately. Kit is installed in the field
- Available with side mounted guides only

For 24" depth cabinets		For 21" depth cabinets	
Particle Board	Plywood	Particle Board	Plywood
ROS12	ROS12-PLY	ROS12X21	ROS12X21-PLY
ROS15	ROS15-PLY	ROS15X21	ROS15X21-PLY
ROS18	ROS18-PLY	ROS18X21	ROS18X21-PLY
ROS21	ROS21-PLY	ROS21X21	ROS21X21-PLY
ROS24	ROS24-PLY	ROS24X21	ROS24X21-PLY
ROS27	ROS27-PLY	ROS27X21	ROS27X21-PLY
ROS30	ROS30-PLY	ROS30X21	ROS30X21-PLY
ROS33	ROS33-PLY	ROS33X21	ROS33X21-PLY
ROS36	ROS36-PLY	ROS36X21	ROS36X21-PLY

Fits 12" and 24" cabinets
Fits 15" and 30" cabinets
Fits 18" and 36" cabinets
Fits 21" and 42" cabinets
Fits 24" double door & 48" cabinets
Fits 27" butt door cabinets
Fits 30" butt door cabinets
Fits 33" butt door cabinets
Fits 36" butt door cabinets

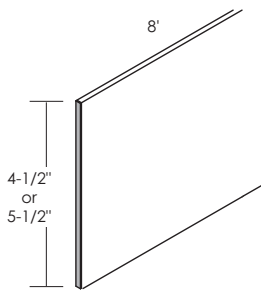
FRAMED ACCESSORIES



TOE KICK OVERLAY

- Color matching laminate on one side
- 8 ft. length
- 1/8" thick

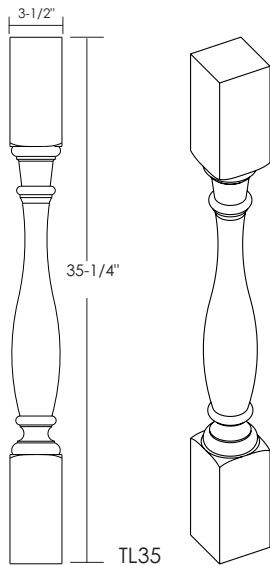
Laminated Particle Board	Laminated Plywood	Actual Size
TK	TKPW	4-1/2" x 96"
HCTK	HCTKPW	5-1/2" x 96"



VENEER TOE KICK OVERLAY

- Stained or painted to match finish on one side
- 8 ft. length
- 3.6mm thick

Veneer Particle Board	Actual Size
TKV	4-1/2" x 96"
HCTKV	5-1/2" x 96"

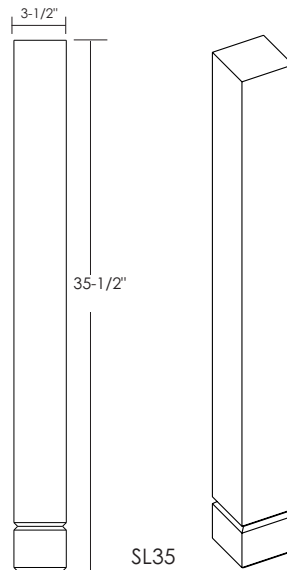


DECORATIVE LEGS

- Solid Maple
- Painted or stained

TL35 Turned Leg

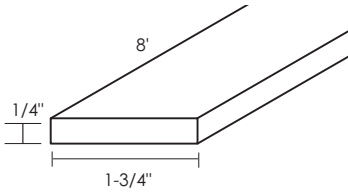
SL35 Shaker Leg



FRAMED ACCESSORIES

NEW

BATTEN SCRIBE MOLDING

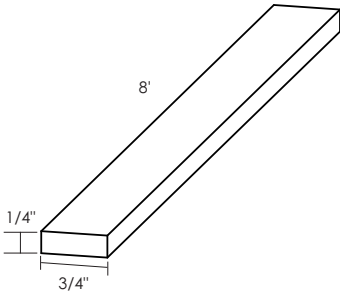


- Laminated, painted or stained to match cabinet exterior
- Sold in 8 ft. lengths

BAT175

NEW

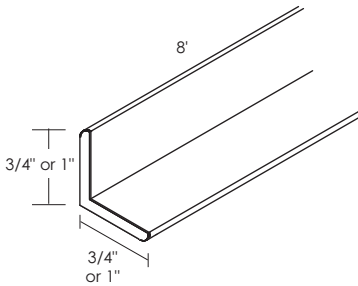
FLAT SCRIBE MOLDING



- Laminated, painted or stained to match cabinet exterior
- Sold in 8 ft. lengths

SCM75

OUTSIDE MOLDING

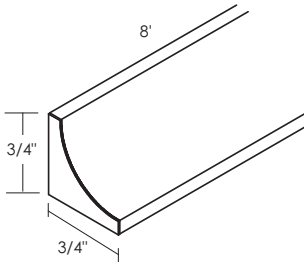


- Solid wood painted or stained to match cabinet exterior
- Sold in 8 ft. lengths

LOCM (1" x 1" x 8') – Large

OCM (3/4" x 3/4" x 8') – Small

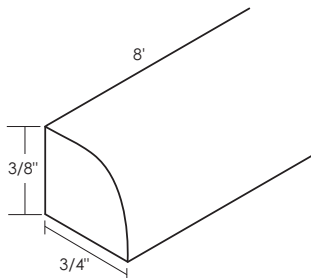
INSIDE MOLDING



- Solid wood painted or stained to match cabinet exterior
- Sold in 8 ft. lengths

ICM

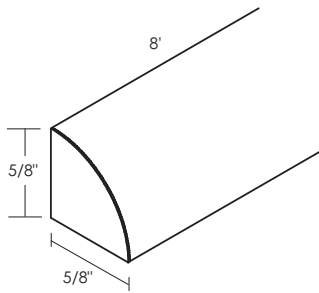
SHOE MOLDING



- Laminated, painted or stained to match cabinet exterior
- Sold in 8 ft. lengths

SHOEMS (3/4" x 3/8" x 8')

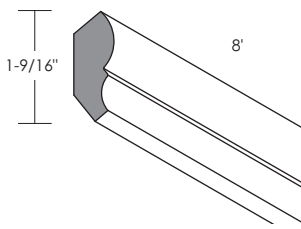
FRAMED ACCESSORIES



QUARTER ROUND

- Solid wood painted or stained to match cabinet exterior
- Sold in 8 ft. lengths

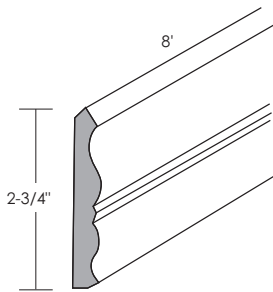
QR8 (5/8" x 5/8" x 8')



SMALL CROWN MOLDING

- Solid wood painted or stained to match cabinet exterior
- Sold in 8 ft. lengths

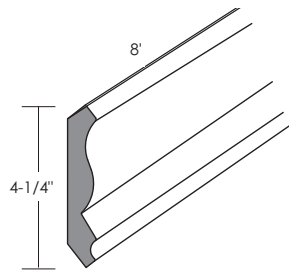
CROWNMS



LARGE CROWN MOLDING

- Laminated, painted or stained to match cabinet exterior
- Sold in 8 ft. lengths

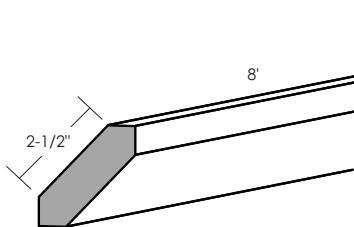
CROWNML



ROYAL CROWN MOLDING

- Solid wood painted or stained to match cabinet exterior
- Sold in 8 ft. lengths

RCM

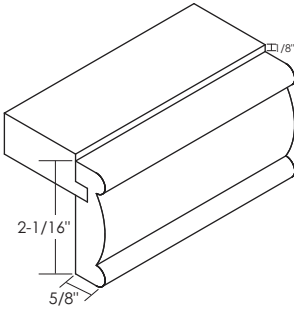


SHAKER CROWN MOLDING

- Solid wood painted or stained to match cabinet exterior
- Sold in 8 ft. lengths

SHAKERM

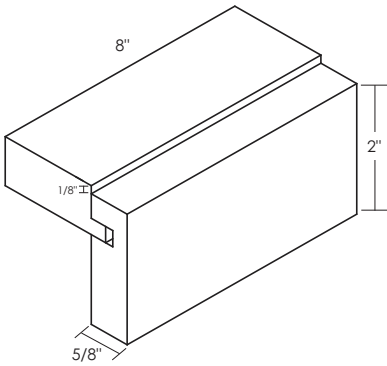
FRAMED ACCESSORIES



LIGHT RAIL – TRADITIONAL

- Solid maple stained or painted to match cabinet exterior
- Sold in 8 ft. lengths

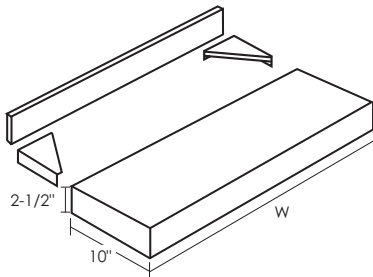
LRT



LIGHT RAIL - SHAKER

- Solid wood painted or stained to match cabinet exterior
- Sold in 8 ft. lengths

LRS

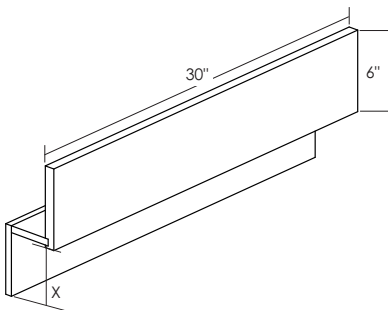


FLOATING SHELVES

- Available in Maple
- All exterior sides are stained or painted
- Outer shelf constructed with solid wood front and sides with veneered top and bottom
- Not trimmable
- Must be secured to studs in wall
- Installation instruction, screws and mounting brackets included
- Shelf supports 15lbs per lineal foot of shelf

Item	W	Maximum Load	# Brackets Included
FS24X10	24"	30lbs	2
FS30X10	30"	37lbs	2
FS36X10	36"	45lbs	3
FS42X10	42"	52lbs	3

RANGE FRONT



- Solid wood painted or stained to match cabinet exterior
- Toe kick and return attached
- Field trimmable in height and width

RF30
HCRF30

	W	H	X
RF30	30"	10-1/2"	4-1/2"
HCRF30	30"	11-1/2"	5-1/2"

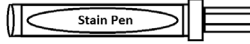
FRAMED ACCESSORIES

PUTTY STICKS



MAPLE	PAINT	OAK
PS-ASH MAPLE PS-CARAMEL MAPLE PS-CHESTNUT MAPLE PS-ESPRESSO MAPLE PS-HARVEST NEW PS-JAVA MAPLE PS-NATURAL MAPLE PS-OYSTER MAPLE PS-SABLE NEW	PS-ARBOR GREY NEW PS-GRAPHITE PS-LINEN PS-MID GREY PS-MIDNIGHT NAVY PS-ONYX PS-SAGEBRUSH NEW PS-TRUWHITE	PS-ASH PS-ESPRESSO OAK PS-GREY CASHMERE PS-JAVA OAK PS-NATURAL OAK
RTF	TRU TOUCH	LAMINATE
PS-ALABASTER PS-BARITONE PS-CHARCOAL LUX PS-COASTAL GREY PS-DRIFTWOOD PS-GRAPHITE PS-LIBRETTI PS-LINEA BLACK PS-NAVY LUX PS-PEBBLE LUX PS-SAGE NEW PS-SANDY ALDER PS-STEEL GREY PS-URBAN WALNUT PS-VINTAGE GREY PS-WHITE SATIN PS-WOOD GRAIN WHITE	PS-CHESTNUT PS-GREY CASHMERE PS-HARMONY PS-OBSIDIAN ASH PS-TIMELESS PS-WHITE TUSK	PS-GLACIER NEW PS-LIGHT TEAK PS-MIDNIGHT ECHO PS-MIDNIGHT TEAK PS-MORNING FOG PS-NATURAL ELM PS-WEATHERED OAK

FRAMED ACCESSORIES



STAIN PENS

MAPLE	PAINT	OAK
SP-ASH MAPLE SP-CARAMEL MAPLE SP-CHESTNUT MAPLE SP-ESPRESSO MAPLE SP-HARVEST NEW SP-JAVA MAPLE SP-NATURAL MAPLE SP-OYSTER MAPLE SP-SABLE NEW	SP-ARBOR GREY NEW SP-GRAPHITE SP-LINEN SP-MID GREY SP-MIDNIGHT NAVY SP-ONYX SP-SAGEBRUSH NEW SP-TRUWHITE	SP-ASH SP-ESPRESSO OAK SP-GREY CASHMERE SP-JAVA OAK SP-NATURAL OAK
RTF	TRU TOUCH	LAMINATE
SP-ALABASTER SP-BARITONE SP-CHARCOAL LUX SP-COASTAL GREY SP-DRIFTWOOD SP-GRAPHITE SP-LIBRETTI SP-LINEA BLACK SP-NAVY LUX SP-PEBBLE LUX SP-SAGE NEW SP-SANDY ALDER SP-STEEL GREY SP-URBAN WALNUT SP-VINTAGE GREY SP-WHITE SATIN SP-WOOD GRAIN WHITE	SP-CHESTNUT SP-GREY CASHMERE SP-HARMONY SP-OBSIDIAN ASH SP-TIMELESS SP-WHITE TUSK	SP-GLACIER NEW SP-LIGHT TEAK SP-MIDNIGHT ECHO SP-MIDNIGHT TEAK SP-MORNING FOG SP-NATURAL ELM SP-WEATHERED OAK



EURO CABINETRY SPECIFICATIONS

UPDATES TO EURO FRAMELESS CABINETRY

<p style="text-align: center;">CONSTRUCTION UPDATES</p> <p>Plywood Cabinet Construction</p> <p>Undermount Soft-close Drawer Upgrade: Full extension with 100lb rated undermount guide with integrated soft close feature. 6-way adjustable hinge with integrated soft-close feature.</p>	
<p style="text-align: center;">DOOR STYLE ADDITIONS</p> <p>New Maple Door Style - Parc iv,v</p> <p>New Paint Door Style - Chateau iv,vi</p>	
<p>Door Finishes: See Style & Finish Guide</p>	
<p style="text-align: center;">WALL PRODUCT ADDITIONS</p> <p>Double Door Walls with Mullion E2</p> <p>Wall Book Shelf Additional Sizes E4</p> <p>Double Door Walls with Mullion with Recessed Bottom E8</p> <p>Double Door Walls with Mullion with Long Doors E11</p> <p>Blind Wall Cabinets additional Sizes E6, E9, E11</p>	
<p style="text-align: center;">BASE PRODUCT ADDITIONS</p> <p>FDS Available On 36" Wide Bases as marked</p> <p>Base Double Door and Drawer with Mullion F1</p> <p>Pots and Pans Drawer Base with 2 Drawers F3</p>	
<p style="text-align: center;">VANITY</p> <p>3-Drawer, Full Height Door Combinations F29</p> <p>4-Drawer, Tall Full Height Door Combinations F29</p>	
<p style="text-align: center;">UNIVERSAL ACCESS</p> <p>Universal Access Base Double Door and Drawer with Mullion F14</p> <p>Universal Access Pots and Pans Drawer Base with 2 Drawers F16</p> <p>Universal Access Full Height Double Door Sink with 3-Drawers Combinations F22</p> <p>Universal Access Full Height Double Door Sink with 4-Drawers Combinations F22</p>	
<p style="text-align: center;">TALL PRODUCT ADDITIONS</p> <p>Universal Access Linen Cabinet with Drawers G8</p>	
	<p style="text-align: center;">ACCESSORIES</p> <p>Plywood Return Panels H1,H3</p> <p>Plywood Fillers H1</p> <p>Plywood Baffles H3</p> <p>Plywood End Panel H4</p> <p>Plywood Desk End Panel H5</p> <p>Plywood Panels H6</p> <p>Plywood Skirts H8</p> <p>Plywood Toe Kick Overlay H9</p> <p>1-3/4" Scribe Molding, SCM175, has been renamed to Batten Molding BAT175 H9</p> <p>3/4" Flat Molding, FLATM75, has been renamed to Flat Scribe Molding SCM75 H9</p> <p>Plywood Roll Out Shelf Kits H12</p> <p>Plywood Adjustable Shelves H13</p> <p>Putty Sticks - Maple, Paint, and RTF H14</p> <p>Stain Pens - Maple, Paint, and RTF H14</p>
	<p style="text-align: center;">DISCONTINUED ITEMS</p> <p>Stain QuartsH14</p>



EURO CABINETRY SPECIFICATIONS TABLE OF CONTENTS

EURO CABINETS CONSTRUCTION

AND STYLES ii-viii

Euro Construction and Options	ii-iii
Door Style Collections	iv
Euro Door Style Specifications	v-viii

EURO WALLS E1-E12

Wall Cabinets	E1-E2
Refrigerator Cabinets	E3
Accessory Wall Cabinets	E3-E4
Corner / Blind Wall Cabinets	E5-E6
Recessed Bottom Wall Cabinets	E7-E9
Long Door Wall Cabinets	E10-E12
Bathroom Wall Cabinets	E12

EURO BASES F1-F36

STANDARD

Base Cabinets	F1-F2
Drawer Base Cabinets	F3
Accessory Base Cabinets	F3-F4
Blind / Corner Base Cabinets	F5-F6
Base Cabinets with Roll Out Shelves	F7
Appliance Base Cabinets	F8
Sink Base Cabinets	F9-F10
Accessible/UFAS Base Cabinets	F11-F12
Drawer Skirts	F13

UNIVERSAL ACCESS

Base Cabinets	F14-F15
Drawer Base Cabinets	F16
Accessory Base Cabinets	F16-F17
Blind / Corner Base Cabinets	F18-F19
Appliance Base Cabinets	F19
Base Cabinets with Roll Out Shelves	F20
Sink Base Cabinets	F21
Sink Base Combination	F22
Accessible/UFAS Base Cabinets	F23-F24

VANITY

Sink Base Cabinets	F25
Full Height Door Vanity Base Cabinets	F26
Door and Drawer Base Cabinets	F27
Drawer Base Cabinets	F28
Combo Sink Base Cabinets	F29
Hanging Vanity Sink Base Cabinets	F30-F31
UFAS Vanity Sink Base Cabinets	F32

DESK

Door and Drawer Base Cabinets	F33
Full Height Desk Base Cabinets	F34
Desk Drawer Base Cabinets	F35
Accessory Desk Base Cabinets	F35

FURNITURE

Base Mud Room Open Cabinets with Dividers	F36
---	-----

EURO TALLS G1-G10

STANDARD

Pantry Cabinets	G1-G2
Utility Cabinets	G3-G4
Bookshelves	G5
Linen Cabinets	G6-G8
Oven Cabinets	G9-G10

EURO ACCESSORIES H1-H14

Panels, Fillers, Overlays, and Baffles	H1-H6
Decorative End Panels	H7
Supports, Skirts, and Valances	H8
Toe Kick Overlays	H9
Moldings	H9-H11
Shelving	H12-H13
Touch-Up Supplies	H14

CABINETRY CARE GUIDE, WARRANTY

AND PRODUCT DISCLOSURE I1-I3

INDEX J1-J5

STANDARD EURO FRAMELESS CONSTRUCTION AND OPTIONS

1 END PANELS — 5/8" thick (nominal) wood-based composite panel with matching laminate exterior surfaces. Construction holes of 8mm to receive wood dowels of horizontal components. End panel is dadoed to receive the back panel.

2 TOP/BOTTOM PANELS — 5/8" thick (nominal) wood-based composite panel attached to the end panels with wood dowels and glue. Base bottom also rests over the toe kick and rear stretcher for better support. The tops and bottoms dadoed to receive back panel.

3 HANG RAILS — 5/8" thick (nominal) wood-based composite panel. Hang rails are set underneath the top panel and above the bottom panel, always concealed behind the back panel. Our hang rails utilize wood dowel and glue construction. Cabinets 30" or wider feature a pocket screw at the center across the top and bottom for better strength.

4 BACK PANEL — 3mm thick hardboard laminated on one side in white, or matching laminate exterior surface. Fully captured and stapled to end panels, bottom and top or upper stretcher for bases.

5 SHELVES — 3/4" thick (nominal) wood-based composite panel with white laminate on both surfaces and matching edgeband on the facing edge. Wall cabinets feature full depth adjustable shelves. The Base cabinet features a half depth shelf with a frontal lock-in-place shelf clip. **Full Depth Shelf (FDS) Upgrade Option:** available on select base cabinets.

6 TOE KICK — **Standard:** 5/8" thick (nominal) unfinished wood-based composite panel. Toe kick is 4" high. **No Toe Kick (NTK) Upgrade Option:** available on select vanity cabinets

7 BASE STRETCHERS — 5/8" thick (nominal) unfinished wood-based composite panel, 3-3/4" width, running from left to right on the front and back at the top of the base cabinet. Front stretcher features matching exterior edgebanding on the facing side.

8 STANDARD DRAWER CONSTRUCTION — 5/8" thick (nominal) particleboard sides and end with 3mm captured drawer bottom. Drawer parts laminated white. Partial extension 100lb rated drawer guide is standard. 1/2" thick plywood with 3mm thick plywood bottom.

Upgrade option for Standard Drawer Box: Full extension 100lb rated undermount guides with integrated soft-close feature.

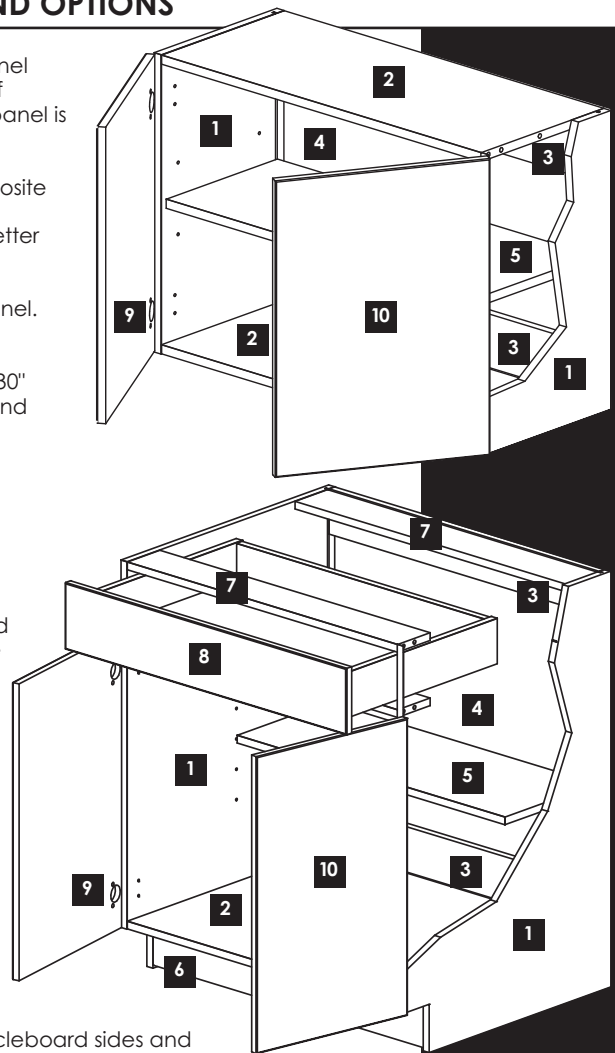
Double Wall Drawer System: Double-wall drawer system with integrated soft close feature. High quality epoxy coated steel construction with synchronized full extension soft-close drawer slides. Integrated height and width adjustments. Drawers have 5/8" thick (nominal) particleboard drawer bottoms and backs with a rating of 88 lbs dynamic load capacity

9 HINGE — **Standard:** 6-way adjustable concealed clip on hinges with 107 degree opening. **Upgrade Option:** 6-way adjustable concealed steel hinges with soft-close feature.

10 DOORS — Please refer to individual door style specifications

ALTERED DEPTH (AD) OPTION — Select wall cabinets can be increased to a 15" or 18" depth. Select base cabinets can be decreased to a 15", 18", 21" or 22" depth. AD availability is noted by cabinet within the Product Specifications Guide.

ROUTE FOR GLASS DOORS (RFG) — Route for glass door option is available for selective wall cabinets. This option will automatically come with a matching interior. Doors prepared for glass do not include glass or glass fasteners. RFG is not available for Forza, Lucerne, Lugano or Parc door styles.



PLYWOOD EURO FRAMELESS CONSTRUCTION AND OPTIONS

- 1 END PANELS** — 5/8" thick (nominal) plywood with matching laminate exterior surfaces. Construction holes of 8mm to receive wood dowels of horizontal components. Endpanel is dadoed to receive the back panel.
- 2 TOP/BOTTOM PANELS** — 5/8" thick (nominal) plywood attached to the end panels with wood dowels and glue. Base bottom also rests over the toe kick and rear stretcher for better support. The tops and bottoms are dadoed to receive back panel.
- 3 HANG RAILS** — 5/8" thick (nominal) plywood panel. Hang rails are set underneath the top panel and above the bottom panel, always concealed behind the back panel. Our hang rails utilize wood dowel and glue construction. Cabinets 30" or wider feature a pocket screw at the center across the top and bottom for better strength.

- 4 BACK PANEL** — 3mm thick plywood laminated on one side in white, or matching laminate exterior surface. Fully captured and stapled to the end panels, bottom and top or upper stretcher for bases.
- 5 SHELVES** — 3/4" thick (nominal) plywood panel with white laminate on both surfaces and matching edgeband on the facing edge. Wall cabinets feature full depth adjustable shelves. Base cabinets features a half depth shelf with a frontal lock-in-place shelf clip.

Full Depth Shelf (FDS) Upgrade Option: available on select base cabinets.

- 6 TOE KICK** — **Standard:** 5/8" thick (nominal) unfinished plywood. Toe kick is 4" high.
- No Toe Kick (NTK) Upgrade Option:** available on select vanity cabinets
- 7 BASE STRETCHERS** — 5/8" thick (nominal) plywood, 3-3/4" width, running from left to right on the front and back at the top of the base cabinet. Frontal stretcher features matching exterior edgebanding on the facing side.
- 8 DRAWER BOX** — 1/2" thick (nominal) plywood drawer sides and ends with 3mm thick plywood drawer bottom. Plywood drawer box is natural finish. Partial extension 100lb rated drawer guide is standard.

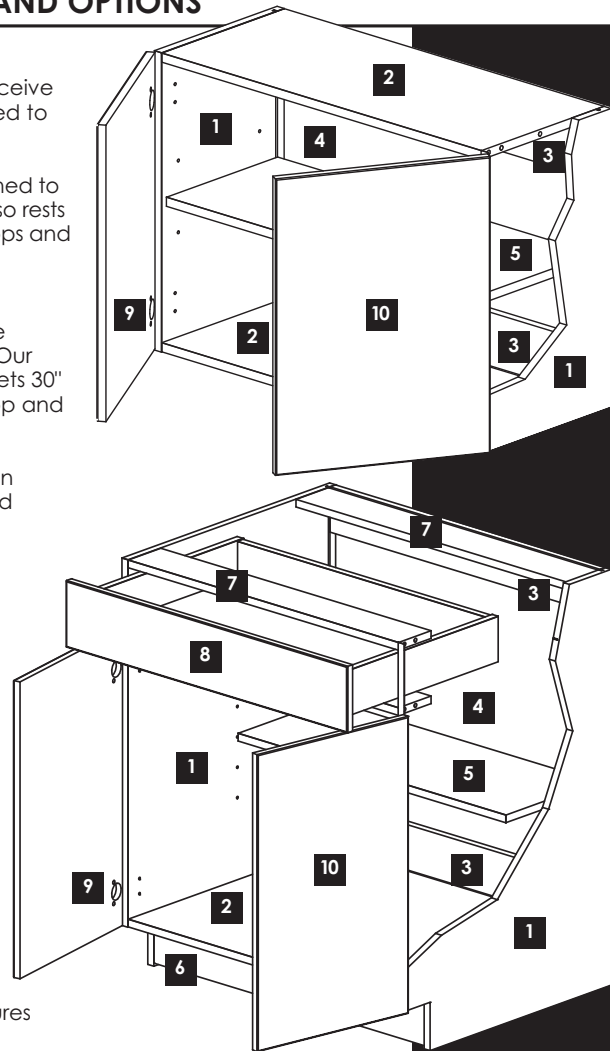
Upgrade option for Plywood Drawer Box: Full extension 100lb rated undermount guide with integrated soft-close feature.

Double Wall Drawer System: Double-wall drawer system with integrated soft close feature. High quality epoxy coated steel construction with synchronized full extension soft-close drawer slides. Integrated height and width adjustments. Drawers have 5/8" thick (nominal) plywood drawer bottoms and backs with a rating of 88 lbs dynamic load capacity.

- 9 HINGE** — **Standard:** 6-way adjustable concealed clip on hinges with 107 degree opening. **Upgrade Option:** 6-way adjustable concealed steel hinges with soft-close feature.
- 10 DOORS** — Please refer to individual door style specifications

ALTERED DEPTH (AD) OPTION — Select wall cabinets can be increased to a 15" or 18" depth. Select base cabinets can be decreased to a 15", 18", 21" or 22" depth. AD availability is noted by cabinet within the Product Specifications Guide.

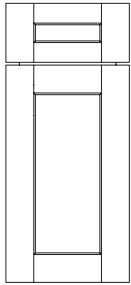
ROUTE FOR GLASS DOORS (RFG) — Route for glass door option is available for selective wall cabinets. This option will automatically come with a matching interior. Doors prepared for glass do not include glass or glass fasteners. RFG is not available for Forza, Lucerne, Lugano or Parc door styles.



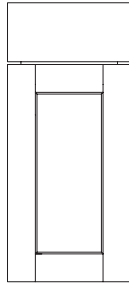
EURO DOOR STYLES BY COLLECTION

MAPLE

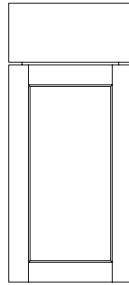
FULL OVERLAY



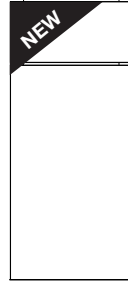
Alto 5PC



Astra



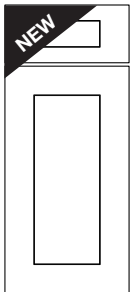
Cava



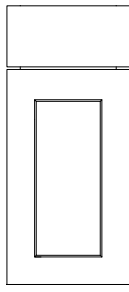
Parc

PAINT

FULL OVERLAY



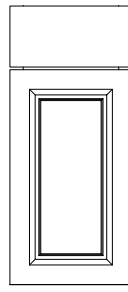
Chateau



Costa



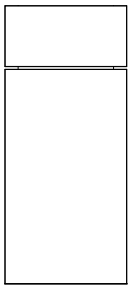
Prato



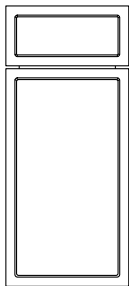
Risano

THERMOFOIL

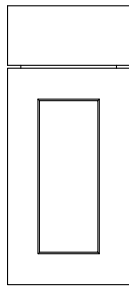
FULL OVERLAY



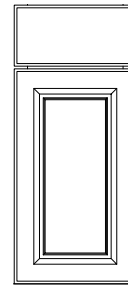
Corso



Forza



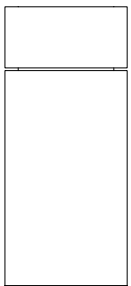
Sorano



Vittoria

TRUTOUCH

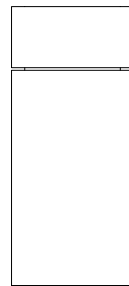
FULL OVERLAY



Lugano

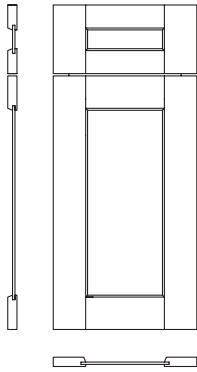
LAMINATE

FULL OVERLAY



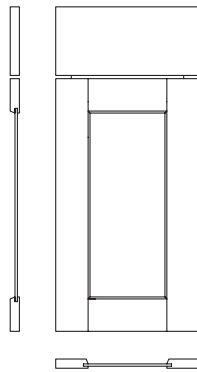
Lucerne

EURO MAPLE DOORS



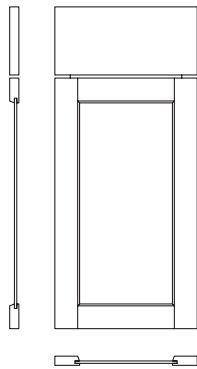
ALTO 5PC

- Flat panel shaker door style with oversized rails and stiles
- Hardwood door and drawer front
- Full overlay
- Five-piece drawer front
- Route for glass door option available for wall cabinets.
Doors prepared for glass do not include glass or glass fasteners.
- Hardware is required
- Use of solid accessories is recommended



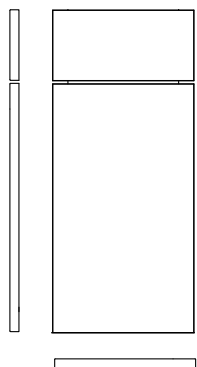
ASTRA

- Flat panel shaker door style with oversized rails and stiles
- Hardwood door and drawer front
- Full overlay
- Route for glass door option available for wall cabinets.
Doors prepared for glass do not include glass or glass fasteners.
- Hardware is required
- Use of solid accessories is recommended



CAVA

- Flat panel shaker door style with cope-joined construction
- Hardwood door and drawer front
- Full overlay
- Route for glass door option available for wall cabinets.
Doors prepared for glass do not include glass or glass fasteners.
- Hardware is required
- Use of solid accessories is recommended



PARC

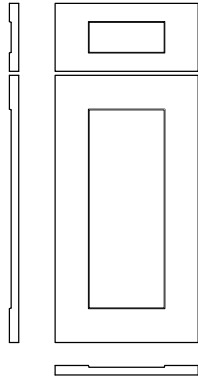
- Hardwood veneer slab door style
- Hardwood door and drawer front
- Full overlay
- Hardware is required
- Use of solid accessories is recommended

NEW

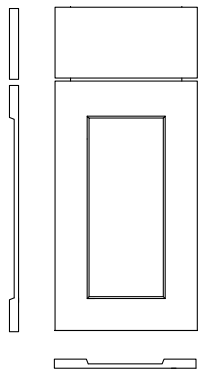
Please refer to
our current
**DOOR STYLES &
FINISHES GUIDE**
for available
finishes

EURO PAINTED DOORS

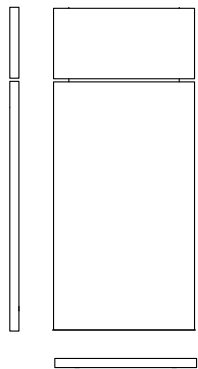
Please refer to our current **DOOR STYLES & FINISHES GUIDE** for available finishes

**CHATEAU**

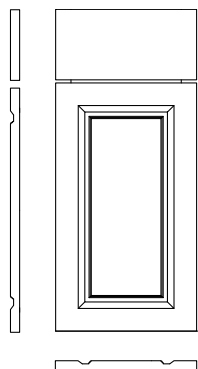
- Shaker door style
- 3/4" thick fiberboard door and drawer front
- Durable and easy to clean
- Full overlay
- Color matching back
- Door and drawer front have clear top coat over painted finish
- Route for glass door option available for wall cabinets.
Doors prepared for glass do not include glass or glass fasteners.
- Hardware is required

NEW**COSTA**

- Shaker door style
- 3/4" thick fiberboard door and drawer front
- Durable and easy to clean
- Full overlay
- Color matching back
- Door and drawer front have clear top coat over painted finish
- Route for glass door option available for wall cabinets.
Doors prepared for glass do not include glass or glass fasteners.
- Hardware is required

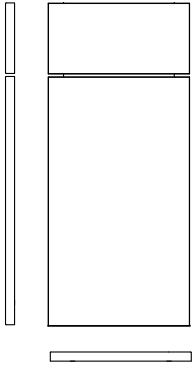
**PRATO**

- Slab door style
- 3/4" thick fiberboard door and drawer front
- Durable and easy to clean
- Full overlay
- Color matching back
- Door and drawer front have clear top coat over painted finish
- Route for glass door option available for wall cabinets.
Doors prepared for glass do not include glass or glass fasteners.
- Hardware is required

**RISANO**

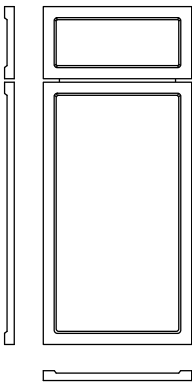
- Raised panel door style
- 3/4" thick fiberboard door and drawer front
- Durable and easy to clean
- Full overlay
- Color matching back
- Door and drawer front have clear top coat over painted finish
- Route for glass door option available for wall cabinets.
Doors prepared for glass do not include glass or glass fasteners.
- Hardware is required

EURO THERMOFOIL DOORS



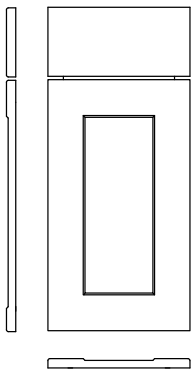
CORSO

- 3D laminate slab door with decreased reveal between door and drawer front
- 5/8" thick melamine-backed doors and drawer fronts
- Durable and easy to clean
- Full overlay
- Route for glass door option available for wall cabinets.
Doors prepared for glass do not include glass or glass fasteners.
- Hardware is required



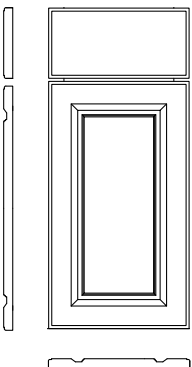
FORZA

- 3D laminate narrow shaker style for door and drawer front
- 13/16" thick melamine-backed doors and drawer fronts
- Durable and easy to clean
- Full overlay
- Route for glass is not available for this door style
- Hardware is required
- Drawer heads that are smaller than 12" wide will be slab style



SORANO

- 3D laminate flat panel, shaker door style
- 5/8" thick melamine-backed doors and drawer fronts
- Durable and easy to clean
- Full overlay
- Route for glass door option available for wall cabinets.
Doors prepared for glass do not include glass or glass fasteners.
- Hardware is required



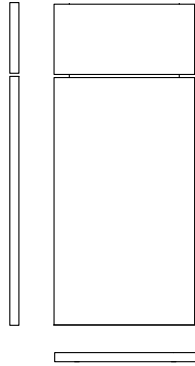
VITTORIA

- 3D laminate raised panel door style with routed edges
- 5/8" thick melamine-backed doors and drawer fronts
- Durable and easy to clean
- Full overlay
- Route for glass door option available for wall cabinets.
Doors prepared for glass do not include glass or glass fasteners.
- Hardware is required

Please refer to
our current
**DOOR STYLES &
FINISHES GUIDE**
for available
finishes

EURO TRUTOUCH DOOR

Please refer to our current **DOOR STYLES & FINISHES GUIDE** for available finishes



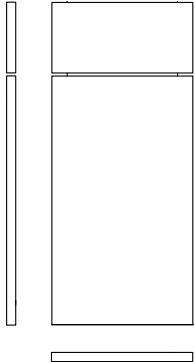
LUGANO

- Thermofused laminate slab door style with TruTouch finish*
- 5/8" thick door and drawer front
- 1mm thick edgebanding on four sides
- Vertical grain on door and drawer fronts
- Durable, scratch resistant melamine door resists damage and cleans easily
- Full overlay
- Door back matches door front
- Hardware is required
- Route for glass is not available for this door style

*Leedo's TruTouch Thermofused Technology replicates both the beauty and feel of natural wood cabinets, producing a visually stunning, realistic high-end product with extraordinary durability.

EURO LAMINATE DOORS

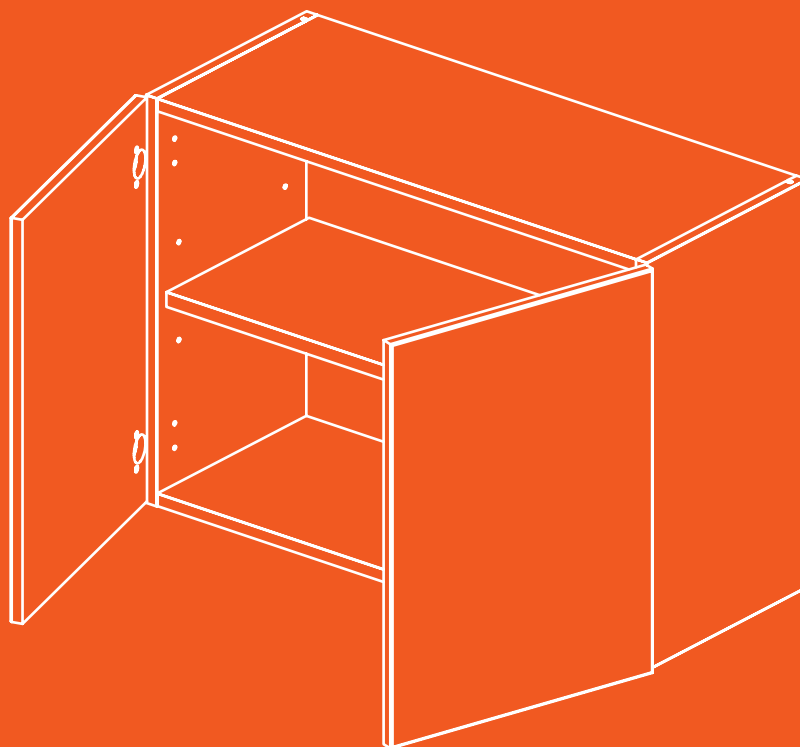
Please refer to our current **DOOR STYLES & FINISHES GUIDE** for available finishes



LUCERNE

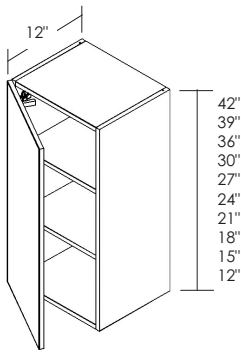
- Melamine slab door on particleboard
- 5/8" thick door and drawer front
- Edgebanding on four sides
- Durable and easy to clean
- Full overlay
- Door back matches door front
- Hardware is required
- Route for glass is not available for this door style

EURO WALLS



WALL CABINETRY

AD = Altered depth option



SINGLE DOOR WALL

- Two hinges per door, except 42" high cabinets have three hinges per door
- Specify L or R door hinging
- **AD 15"**

42" High (3 shelves)

W0942 L or R
W1242 L or R
W1542 L or R
W1842 L or R
W2142 L or R
W2442 L or R

24" High (1 shelf)

W0924 L or R
W1224 L or R
W1524 L or R
W1824 L or R
W2124 L or R
W2424 L or R

39" High (2 shelves)

W0939 L or R
W1239 L or R
W1539 L or R
W1839 L or R
W2139 L or R
W2439 L or R

21" High (1 shelf)

W0921 L or R
W1221 L or R
W1521 L or R
W1821 L or R
W2121 L or R
W2421 L or R

36" High (2 shelves)

W0936 L or R
W1236 L or R
W1536 L or R
W1836 L or R
W2136 L or R
W2436 L or R

18" High (No shelf)

W0918 L or R
W1218 L or R
W1518 L or R
W1818 L or R
W2118 L or R
W2418 L or R

30" High (2 shelves)

W0930 L or R
W1230 L or R
W1530 L or R
W1830 L or R
W2130 L or R
W2430 L or R

15" High (No Shelf)

W0915 L or R
W1215 L or R
W1515 L or R
W1815 L or R
W2115 L or R
W2415 L or R

27" High (1 shelf)

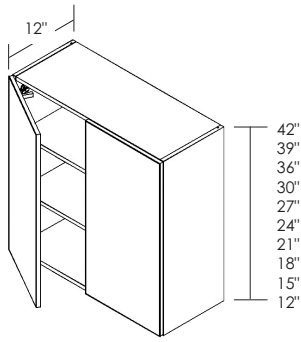
W0927 L or R
W1227 L or R
W1527 L or R
W1827 L or R
W2127 L or R
W2427 L or R

12" High (No shelf)

W0912 L or R
W1212 L or R
W1512 L or R
W1812 L or R
W2112 L or R
W2412 L or R

WALL CABINETRY

AD = Altered depth option



DOUBLE DOOR WALL

- Two hinges per door, except 42" high cabinets have three hinges per door
- AD 15"

42" High (3 shelves)

W2442
W2742
W3042
W3342
W3642
W3942

24" High (1 shelf)

W2424
W2724
W3024
W3324
W3624
W3924

39" High (2 shelves)

W2439
W2739
W3039
W3339
W3639
W3939

21" High (1 shelf)

W2421
W2721
W3021
W3321
W3621
W3921

36" High (2 shelves)

W2436
W2736
W3036
W3336
W3636
W3936

18" High (No shelf)

W2418
W2718
W3018
W3318
W3618
W3918

30" High (2 shelves)

W2430
W2730
W3030
W3330
W3630
W3930

15" High (No shelf)

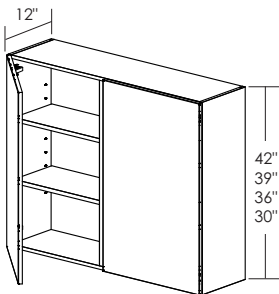
W2415
W2715
W3015
W3315
W3615
W3915

27" High (1 shelf)

W2427
W2727
W3027
W3327
W3627
W3927

12" High (No shelf)

W2412
W2712
W3012
W3312
W3612
W3912



DOUBLE DOOR WALL WITH MULLION

- Two hinges per door, except 42" high cabinets have three hinges per door
- AD 15"

42" High (3 shelves)

W4242
W4542
W4842

36" High (2 shelves)

W4236
W4536
W4836

39" High (2 shelves)

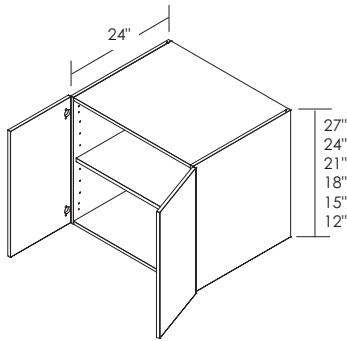
W4239
W4539
W4839

30" High (shelves)

W4230
W4530
W4830

NEW

WALL CABINERY



24" DEEP DOUBLE DOOR REFRIGERATOR WALL

- Two hinges per door
- Must be installed between tall cabinetry and/or walls of equal or greater depth for proper support. These should never be hung on a wall by themselves.

27" High (1 shelf)

W2727X24
W3027X24
W3327X24
W3627X24
W3927X24

18" High (No shelf)

W2718X24
W3018X24
W3318X24
W3618X24
W3918X24

24" High (1 shelf)

W2724X24
W3024X24
W3324X24
W3624X24
W3924X24

15" High (No shelf)

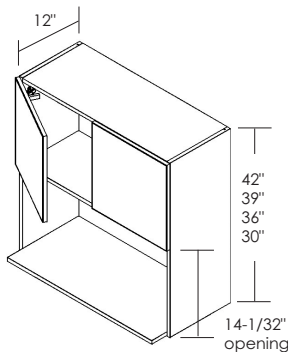
W2715X24
W3015X24
W3315X24
W3615X24
W3915X24

21" High (1 shelf)

W2721X24
W3021X24
W3321X24
W3621X24
W3921X24

12" High (No shelf)

W2712X24
W3012X24
W3312X24
W3612X24
W3912X24



MICROWAVE WALL CABINETS WITH DOORS

- Two hinges per door
- Color matching interior
- **12" deep microwave cabinets have a bottom which extends 4" to a depth of 16"**
- **The bottom is flush on 18" and 21" deep microwave cabinets**
- **Not designed to be used with microwave trim kits**
- **AD 18" and 21"**

42" High

MWC2742
MWC3042
MWC3342

36" High

MWC2736
MWC3036
MWC3336

39" High

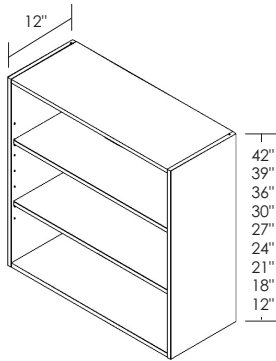
MWC2739
MWC3039
MWC3339

30" High

MWC2730
MWC3030
MWC3330

WALL CABINETRY

AD = Altered depth option



WALL BOOK SHELF CABINETS

- Adjustable shelves
- Color matching interior
- **AD 15"**

42" High (3 shelves)

WBS1242
WBS1542
WBS1842
WBS2142
WBS2442
WBS2742
WBS3042
WBS3342 **NEW**
WBS3642 **NEW**

30" High (2 shelves)

WBS1230
WBS1530
WBS1830
WBS2130
WBS2430
WBS2730
WBS3030
WBS3330 **NEW**
WBS3630 **NEW**

21" High (1 shelf)

WBS1221
WBS1521
WBS1821
WBS2121
WBS2421
WBS2721
WBS3021
WBS3321 **NEW**
WBS3621 **NEW**

39" High (2 shelves)

WBS1239
WBS1539
WBS1839
WBS2139
WBS2439
WBS2739
WBS3039
WBS3339 **NEW**
WBS3639 **NEW**

27" High (1 shelf)

WBS1227
WBS1527
WBS1827
WBS2127
WBS2427
WBS2727
WBS3027
WBS3327 **NEW**
WBS3627 **NEW**

18" High (No shelf)

WBS1218
WBS1518
WBS1818
WBS2118
WBS2418
WBS2718
WBS3018
WBS3318 **NEW**
WBS3618 **NEW**

36" High (2 shelves)

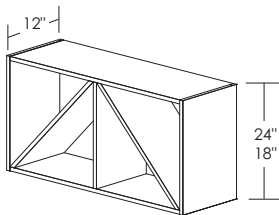
WBS1236
WBS1536
WBS1836
WBS2136
WBS2436
WBS2736
WBS3036
WBS3336 **NEW**
WBS3636 **NEW**

24" High (1 shelf)

WBS1224
WBS1524
WBS1824
WBS2124
WBS2424
WBS2724
WBS3024
WBS3324
WBS3624

12" High (No shelf)

WBS1212
WBS1512
WBS1812
WBS2112
WBS2412
WBS2712
WBS3012
WBS3312 **NEW**
WBS3612 **NEW**



WINE STORAGE CABINET

- Color matching interior

24" High

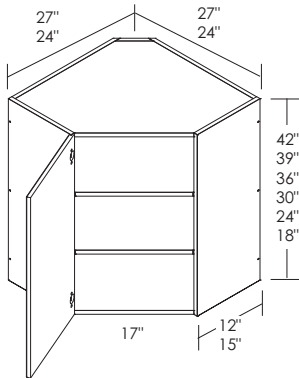
WSC3024
WSC3624

18" High

WSC3018
WSC3618

WALL CABINETY

AD = Altered depth option



CORNER WALL CABINETS

- Two hinges per door, except 42" high cabinets have three hinges per door
- Specify L or R door hinging
- For full overlay door styles, it is recommended to use fillers on each side of cabinet to ensure proper door operation
- **CW27's are 15"D**

42" High (3 shelves)

CW2442 L or R
CW2742 L or R

30" High (2 shelves)

CW2430 L or R
CW2730 L or R

39" High (2 shelves)

CW2439 L or R
CW2739 L or R

24" High (2 shelves)

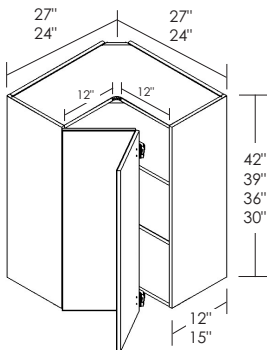
CW2424 L or R
CW2724 L or R

36" High (2 shelves)

CW2436 L or R
CW2736 L or R

18" High (No shelf)

CW2418 L or R
CW2718 L or R



WALL EASY REACH

- Three hinges per door, except 30" high cabinets have two hinges per door
- Bifold doors are hinged together
- Specify L or R door hinging
- **WER27's are 15"D**
- **Soft-close hinge is not available for this cabinet**

42" High (3 shelves)

WER2442 L or R
WER2742 L or R

39" High (2 shelves)

WER2439 L or R
WER2739 L or R

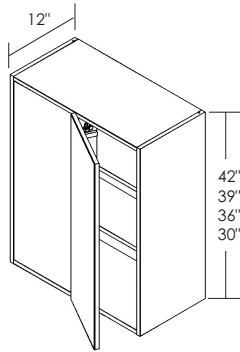
36" High (2 shelves)

WER2436 L or R
WER2736 L or R

30" High (2 shelves)

WER2430 L or R
WER2730 L or R

WALL CABINETS



SINGLE DOOR BLIND WALL CABINETS

- Two hinges per door, except 42" high cabinets have three hinges per door
- Specify L or R door hinging and blind location

42" High (3 shelves)

BW24/2742 L or R
 BW27/3042 L or R
 BW30/3342 L or R
 BW33/3642 L or R
 BW36/3942 L or R

36" High (2 shelves)

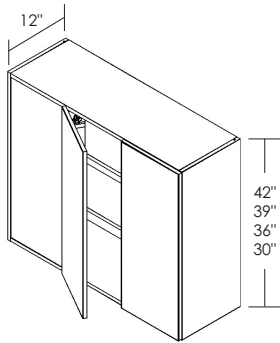
BW24/2736 L or R
 BW27/3036 L or R
 BW30/3336 L or R
 BW33/3636 L or R
 BW36/3936 L or R

39" High (2 shelves)

BW24/2739 L or R
 BW27/3039 L or R
 BW30/3339 L or R
 BW33/3639 L or R
 BW36/3939 L or R

30" High (2 shelves)

BW24/2730 L or R
 BW27/3030 L or R
 BW30/3330 L or R
 BW33/3630 L or R
 BW36/3930 L or R



DOUBLE DOOR BLIND WALL CABINETS

- Two hinges per door, except 42" high cabinets have three hinges per door
- Specify L or R blind location

42" High (3 shelves)

BW39/4242 L or R
 BW42/4542 L or R **NEW**

36" High (2 shelves)

BW39/4236 L or R
 BW42/4536 L or R **NEW**

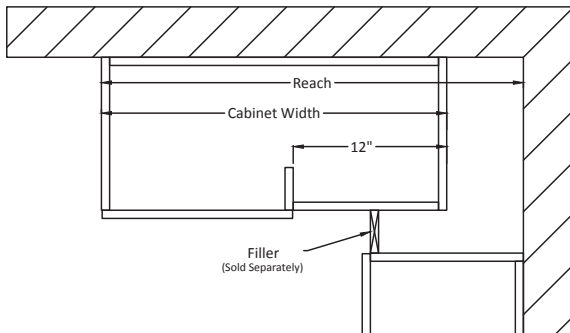
39" High (2 shelves)

BW39/4239 L or R
 BW42/4539 L or R **NEW**

30" High (2 shelves)

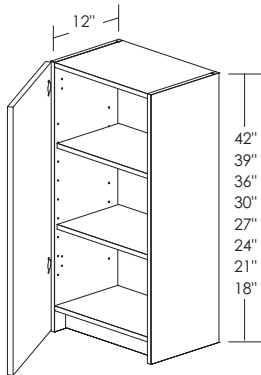
BW39/4230 L or R
 BW42/4530 L or R **NEW**

TYPICAL BLIND WALL LAYOUT



CABINET	CABINET WIDTH	CABINET REPLACED	REACH
BW24/27XX	24	12	25-1/2 – 28-1/2
BW27/30XX	27	15	28-1/2 – 31-1/2
BW30/33XX	30	18	31-1/2 – 33-1/2
BW33/36XX	33	21	33-1/2 – 37-1/2
BW36/39XX	36	24	37-1/2 – 40-1/2
BW39/42XX	39	27	40-1/2 – 43-1/2
BW42/45XX	42	30	43-1/2 – 46-1/2

WALL CABINETY



SINGLE DOOR WALL WITH RECESSED BOTTOM

- Two hinges per door, except 42" high cabinets have three hinges per door
- 70mm integrated light rail
- Specify L or R door hinging
- Top and Bottom are always White
- **AD 15"**

42" High (3 shelves)

W0942RC L or R
W1242RC L or R
W1542RC L or R
W1842RC L or R
W2142RC L or R
W2442RC L or R

27" High (1 shelf)

W0927RC L or R
W1227RC L or R
W1527RC L or R
W1827RC L or R
W2127RC L or R
W2427RC L or R

39" High (2 shelves)

W0939RC L or R
W1239RC L or R
W1539RC L or R
W1839RC L or R
W2139RC L or R
W2439RC L or R

24" High (1 shelf)

W0924RC L or R
W1224RC L or R
W1524RC L or R
W1824RC L or R
W2124RC L or R
W2424RC L or R

36" High (2 shelves)

W0936RC L or R
W1236RC L or R
W1536RC L or R
W1836RC L or R
W2136RC L or R
W2436RC L or R

21" High (1 shelf)

W0921RC L or R
W1221RC L or R
W1521RC L or R
W1821RC L or R
W2121RC L or R
W2421RC L or R

30" High (2 shelves)

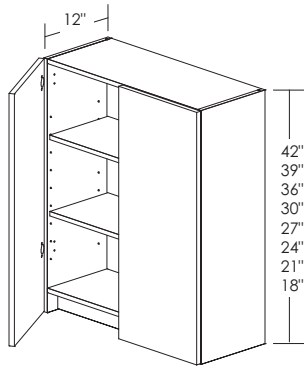
W0930RC L or R
W1230RC L or R
W1530RC L or R
W1830RC L or R
W2130RC L or R
W2430RC L or R

18" High (no shelf)

W0918RC L or R
W1218RC L or R
W1518RC L or R
W1818RC L or R
W2118RC L or R
W2418RC L or R

WALL CABINETS

AD = Altered depth option



DOUBLE DOOR WALL WITH RECESSED BOTTOM

- Two hinges per door, except 42" high cabinets have three hinges per door
- 70mm integrated light rail
- Top and Bottom are always White
- **AD 15"**

42" High (3 shelves)

W2442RC
W2742RC
W3042RC
W3342RC
W3642RC
W3942RC

30" High (2 shelves)

W2430RC
W2730RC
W3030RC
W3330RC
W3630RC
W3930RC

21" High (1 shelf)

W2421RC
W2721RC
W3021RC
W3321RC
W3621RC
W3921RC

39" High (2 shelves)

W2439RC
W2739RC
W3039RC
W3339RC
W3639RC
W3939RC

27" High (1 shelf)

W2427RC
W2727RC
W3027RC
W3327RC
W3627RC
W3927RC

18" High (no shelf)

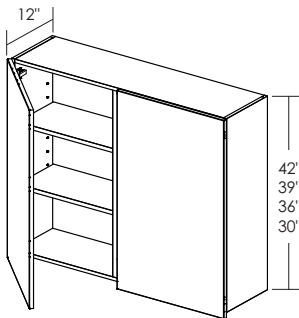
W2418RC
W2718RC
W3018RC
W3318RC
W3618RC
W3918RC

36" High (2 shelves)

W2436RC
W2736RC
W3036RC
W3336RC
W3636RC
W3936RC

24" High (1 shelf)

W2424RC
W2724RC
W3024RC
W3324RC
W3624RC
W3924RC



DOUBLE DOOR WALL WITH MULLION WITH RECESSED BOTTOM

- Two hinges per door, except 42" high cabinets have three hinges per door
- 70mm integrated light rail.
- Top and Bottom are always White
- **AD 15"**

42" High (3 shelves)

W4242RC
W4542RC
W4842RC

36" High (2 shelves)

W4236RC
W4536RC
W4836RC

39" High (2 shelves)

W4239RC
W4539RC
W4839RC

30" High (2 shelves)

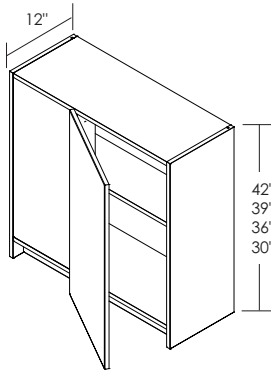
W4230RC
W4530RC
W4830RC

NEW

WALL CABINETY

AD = Altered depth option

SINGLE DOOR BLIND WALL CABINETS WITH RECESSED BOTTOM



- Two hinges per door, except 42" high cabinets have three hinges per door
- 70mm integrated light rail.
- Specify L or R door hinging and blind location
- Top and Bottom are always White

42" High (3 shelves)

BW24/2742RC L or R
 BW27/3042RC L or R
 BW30/3342RC L or R
 BW33/3642RC L or R
 BW36/3942RC L or R

36" High (2 shelves)

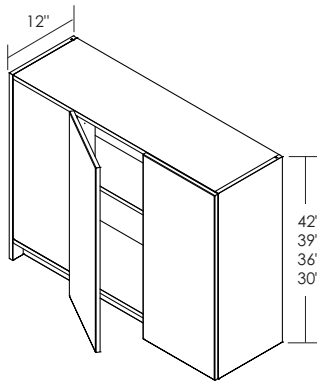
BW24/2736RC L or R
 BW27/3036RC L or R
 BW30/3336RC L or R
 BW33/3636RC L or R
 BW36/3936RC L or R

39" High (2 shelves)

BW24/2739RC L or R
 BW27/3039RC L or R
 BW30/3339RC L or R
 BW33/3639RC L or R
 BW36/3939RC L or R

30" High (2 shelves)

BW24/2730RC L or R
 BW27/3030RC L or R
 BW30/3330RC L or R
 BW33/3630RC L or R
 BW36/3930RC L or R



DOUBLE DOOR BLIND WALL CABINETS WITH RECESSED BOTTOM

- Two hinges per door, except 42" high cabinets have three hinges per door
- 70mm integrated light rail.
- Specify L or R door hinging and blind location
- Top and Bottom are always White
- **AD 15"**

42" High (3 shelves)

BW39/4242RC L or R
 BW42/4542RC L or R **NEW**

36" High (2 shelves)

BW39/4236RC L or R
 BW42/4536RC L or R **NEW**

39" High (2 shelves)

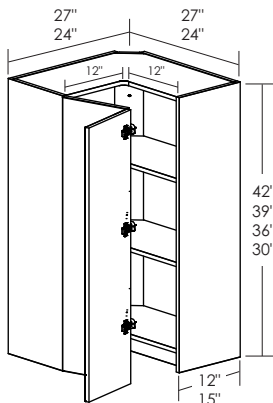
BW39/4239RC L or R
 BW42/4539RC L or R **NEW**

30" High (2 shelves)

BW39/4230RC L or R
 BW42/4530RC L or R **NEW**

NEW

WALL EASY REACH CABINETS WITH RECESSED BOTTOM



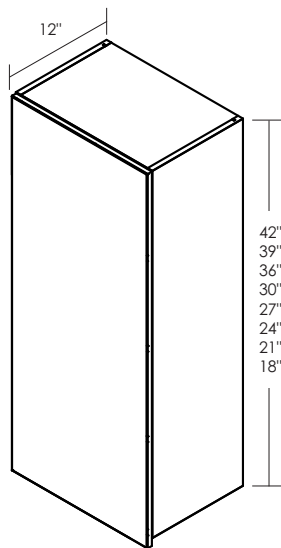
- Three hinges per door, except 30" high cabinets have two hinges per door
- Bifold doors are hinged together
- Specify L or R door hinging
- WER27's are 15" Deep
- Soft-close hinge is not available for this cabinet
- Top and Bottom are always White

WER2442RC L OR R
 WER2742RC L OR R

WER2439RC L OR R
 WER2739RC L OR R

WER2436RC L OR R
 WER2736RC L OR R

WER2430RC L OR R
 WER2730RC L OR R



SINGLE DOOR WALL CABINETS WITH LONG DOORS

- Two hinges per door, except 42" high cabinets have three hinges per door
- Wall long doors are 1" longer than standard doors. Door will extend 7/8" below bottom of cabinet
- Specify L or R door hinging
- **AD 15"**

42" High (3 shelves)

W0942LD L or R
W1242LD L or R
W1542LD L or R
W1842LD L or R
W2142LD L or R
W2442LD L or R

30" High (2 shelves)

W0930LD L or R
W1230LD L or R
W1530LD L or R
W1830LD L or R
W2130LD L or R
W2430LD L or R

21" High (1 shelf)

W0921LD L or R
W1221LD L or R
W1521LD L or R
W1821LD L or R
W2121LD L or R
W2421LD L or R

39" High (2 shelves)

W0939LD L or R
W1239LD L or R
W1539LD L or R
W1839LD L or R
W2139LD L or R
W2439LD L or R

27" High (1 shelf)

W0927LD L or R
W1227LD L or R
W1527LD L or R
W1827LD L or R
W2127LD L or R
W2427LD L or R

18" High (no shelf)

W0918LD L or R
W1218LD L or R
W1518LD L or R
W1818LD L or R
W2118LD L or R
W2418LD L or R

36" High (2 shelves)

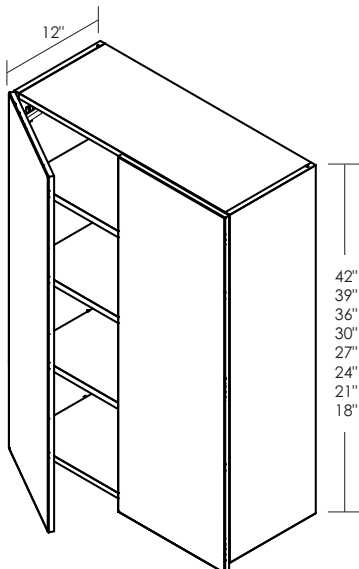
W0936LD L or R
W1236LD L or R
W1536LD L or R
W1836LD L or R
W2136LD L or R
W2436LD L or R

24" High (1 shelf)

W0924LD L or R
W1224LD L or R
W1524LD L or R
W1824LD L or R
W2124LD L or R
W2424LD L or R

DOUBLE DOOR WALL CABINETS WITH LONG DOORS

- Two hinges per door, except 42" high cabinets have three hinges per door
- Wall long doors are 1" longer than standard doors. Door will extend 7/8" below bottom of cabinet
- **AD 15"**



42" High (3 shelves)

W2442LD
W2742LD
W3042LD
W3342LD
W3642LD
W3942LD

30" High (2 shelves)

W2430LD
W2730LD
W3030LD
W3330LD
W3630LD
W3930LD

21" High (1 shelf)

W2421LD
W2721LD
W3021LD
W3321LD
W3621LD
W3921LD

39" High (2 shelves)

W2439LD
W2739LD
W3039LD
W3339LD
W3639LD
W3939LD

27" High (1 shelf)

W2427LD
W2727LD
W3027LD
W3327LD
W3627LD
W3927LD

18" High (no shelf)

W2418LD
W2718LD
W3018LD
W3318LD
W3618LD
W3918LD

36" High (2 shelves)

W2436LD
W2736LD
W3036LD
W3336LD
W3636LD
W3936LD

24" High (1 shelf)

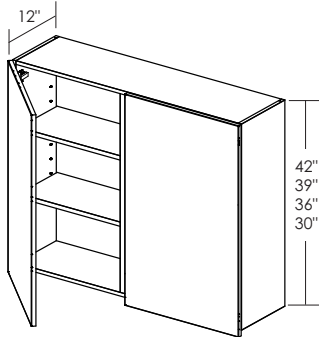
W2424LD
W2724LD
W3024LD
W3324LD
W3624LD
W3924LD

WALL CABINERY

NEW

DOUBLE DOOR WALL CABINETS WITH MULLION WITH LONG DOORS

- Two hinges per door, except 42" high cabinets have three hinges per door
- Wall long doors are 1" longer than standard doors. Door will extend 7/8" below bottom of cabinet
- **AD 15"**


42" High (3 shelves)

W4242LD
W4542LD
W4842LD

36" High (2 shelves)

W4236LD
W4536LD
W4836LD

39" High (2 shelves)

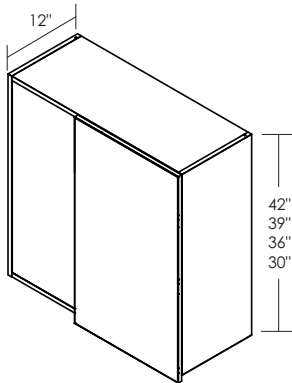
W4239LD
W4539LD
W4839LD

30" High (2 shelves)

W4230LD
W4530LD
W4830LD

SINGLE DOOR BLIND WALL CABINETS WITH LONG DOORS

- Two hinges per door, except 42" high cabinets have three hinges per door
- Wall long doors are 1" longer than standard doors. Door will extend 7/8" below bottom of cabinet
- Specify L or R door hinging and blind location


42" High (3 shelves)

BW24/2742LD L or R
BW27/3042LD L or R
BW30/3342LD L or R
BW33/3642LD L or R
BW36/3942LD L or R

36" High (2 shelves)

BW24/2736LD L or R
BW27/3036LD L or R
BW30/3336LD L or R
BW33/3636LD L or R
BW36/3936LD L or R

39" High (2 shelves)

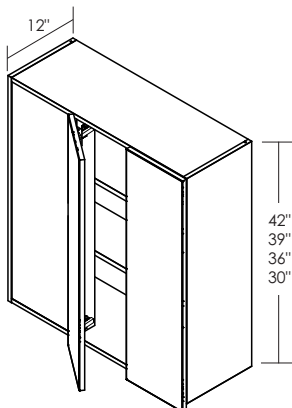
BW24/2739LD L or R
BW27/3039LD L or R
BW30/3339LD L or R
BW33/3639LD L or R
BW36/3939LD L or R

30" High (2 shelves)

BW24/2730LD L or R
BW27/3030LD L or R
BW30/3330LD L or R
BW33/3630LD L or R
BW36/3930LD L or R

DOUBLE DOOR BLIND WALL CABINETS WITH LONG DOORS

- Two hinges per door, except 42" high cabinets have three hinges per door
- Wall long doors are 1" longer than standard doors. Door will extend 7/8" below bottom of cabinet
- Specify L or R door hinging and blind location


42" High (3 shelves)

BW39/4242LD L or R
BW42/4542LD L or R **NEW**

36" High (2 shelves)

BW39/4236LD L or R
BW42/4536LD L or R **NEW**

39" High (2 shelves)

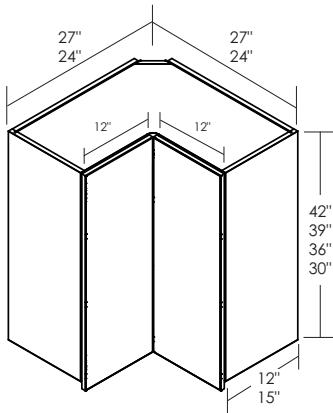
BW39/4239LD L or R
BW42/4539LD L or R **NEW**

30" High (2 shelves)

BW39/4230LD L or R
BW42/4530LD L or R **NEW**

WALL CABINETRY

AD = Altered depth option



WALL EASY REACH CABINETS WITH LONG DOORS

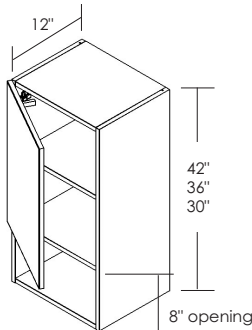
- Three hinges per door, except 30" high cabinets have two hinges per door
- Bifold doors are hinged together
- Specify L or R door hinging
- WER27's are 15" Deep
- Soft-close hinge is not available for this cabinet

WER2442LD L OR R
WER2742LD L OR R

WER2439LD L OR R
WER2739LD L OR R

WER2436LD L OR R
WER2736LD L OR R

WER2430LD L OR R
WER2730LD L OR R



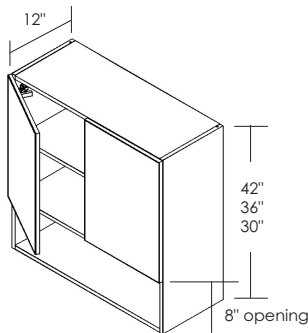
SINGLE DOOR WALL LINEN

- Two hinges per door
- Specify L or R door hinging
- Comes with color matching interior
- **AD 9", 15"**

42" High (2 shelves)
WL2142 L or R
WL2442 L or R

36" High (2 shelves)
WL2136 L or R
WL2436 L or R

30" High (1 shelf)
WL2130 L or R
WL2430 L or R



DOUBLE DOOR WALL LINEN

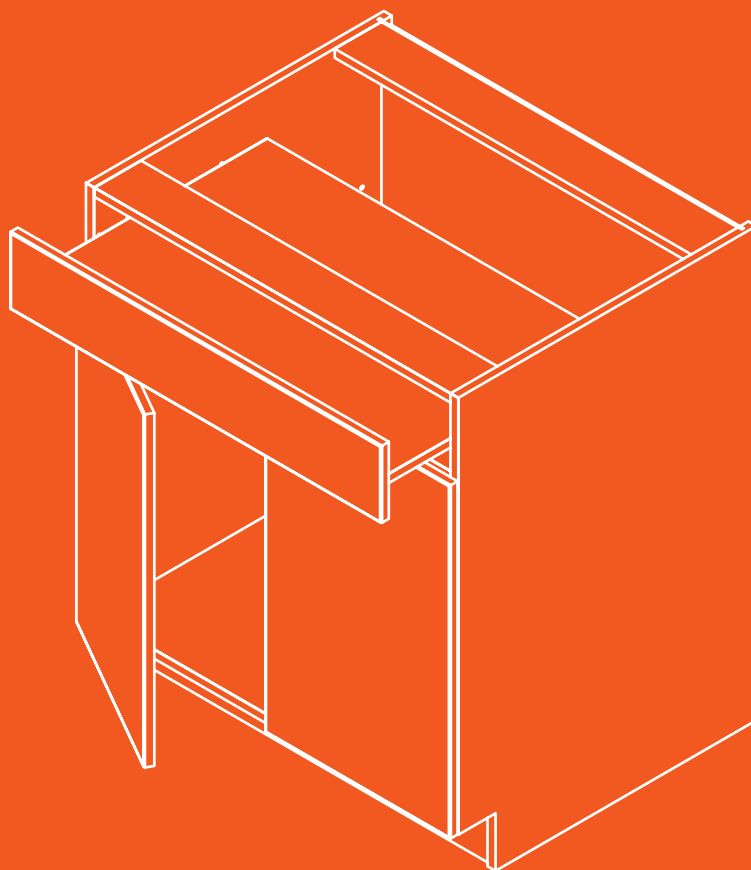
- Two hinges per door
- Comes with color matching interior
- **AD 9", 15"**

42" High (2 shelves)
WL2442
WL2742
WL3042
WL3342

36" High (2 shelves)
WL2436
WL2736
WL3036
WL3336

30" High (1 shelf)
WL2430
WL2730
WL3030
WL3330

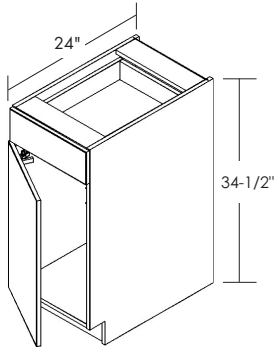
EURO BASES



AD = Altered depth option
 FDS = Full depth shelf option

Cabinet Height: 34-1/2". Toe Kick Height: 4".

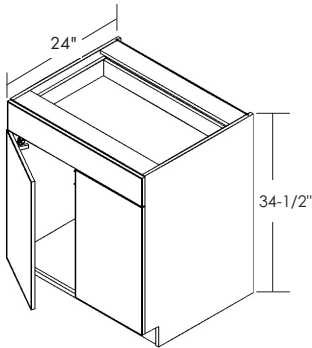
BASE CABINETRY



BASE SINGLE DOOR AND DRAWER

- Two hinges per door
- Specify L or R door hinging
- Comes with adjustable half depth shelf
- **AD 21" and 22"**
- **FDS**
- * **Not available in Forza door style**

*B09 L or R
 B12 L or R
 B15 L or R
 B18 L or R
 B21 L or R
 B24 L or R



BASE DOUBLE DOOR AND SINGLE DRAWER

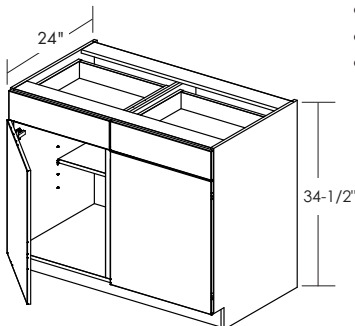
- Two hinges per door
- Comes with adjustable half depth shelf
- **AD 21" and 22"**
- **FDS**

B24
 B27
 B30
 B33
 B36
 *B39

*FDS is not available on B39

BASE DOUBLE DOOR AND DRAWER WITH MULLION

- Two hinges per door
- Comes with adjustable half depth shelf
- **AD 21" and 22"**
- **FDS**



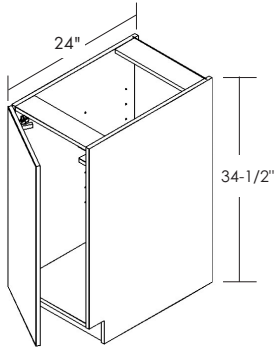
B42
 B45
 B48

NEW

BASES

BASE CABINERY

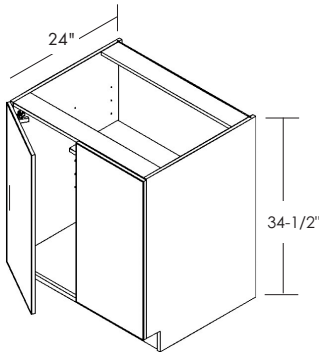
Cabinet Height: 34-1/2". Toe Kick Height: 4".



BASE FULL HEIGHT SINGLE DOOR

- Two hinges per door
- Specify L or R door hinging
- Comes with adjustable half depth shelf
- **AD 12", 15", 18", 21" or 22"**
- **FDS**

B09FH L or R
 B12FH L or R
 B15FH L or R
 B18FH L or R
 B21FH L or R
 B24FH L or R

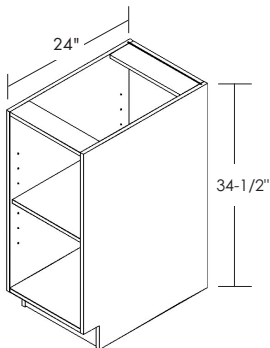


BASE FULL HEIGHT DOUBLE DOOR

- Two hinges per door
- Comes with adjustable half depth shelf
- **AD 12", 15", 18", 21" or 22"**
- **FDS**

B24FH
 B27FH
 B30FH
 B33FH
 B36FH
 *B39FH
 *B42FH
 *B45FH
 *B48FH

*FDS is not available on B39FH, B42FH, B45FH, and B48FH



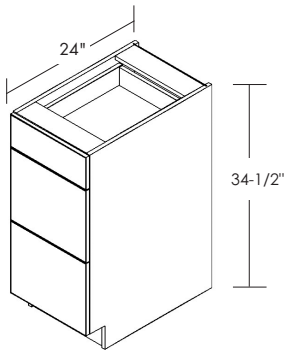
BASE BOOKSHELF

- One adjustable full depth shelf
- Color matching interior
- **AD 12", 18", 21" or 22"**

BBS18
 BBS21
 BBS24
 BBS27
 BBS30

BASE CABINETRY

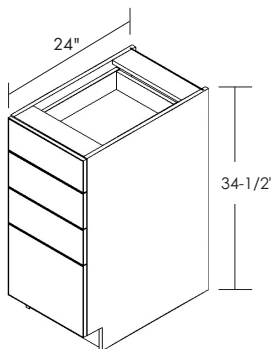
Cabinet Height: 34-1/2". Toe Kick Height: 4".



THREE DRAWER BASE

- One standard height drawer on top and two deep drawers on bottom
- **AD 21" and 22"**
- * **Not available in Forza door style**

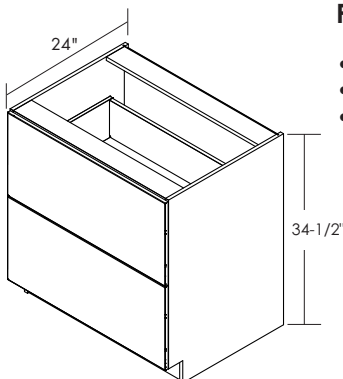
*DB09-3
DB12-3
DB15-3
DB18-3
DB21-3
DB24-3
DB27-3
DB30-3



FOUR DRAWER BASE

- Three standard height drawers on top and one deep bottom drawer
- **AD 21" and 22"**
- * **Not available in Forza door style**

*DB09-4
DB12-4
DB15-4
DB18-4
DB21-4
DB24-4
DB27-4
DB30-4

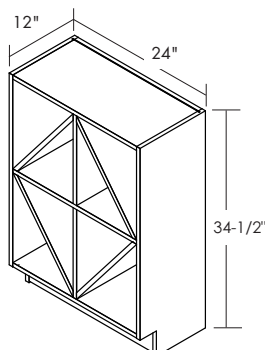


POTS AND PANS DRAWER BASE

- Two deep drawers
- **AD 21" and 22"**
- **Double Wall Metal Soft-close drawer only**

DBPP33-2
DBPP36-2

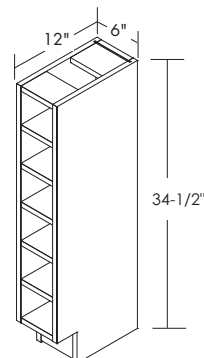
NEW



BASE WINE RACK

- Color matching interior
- **AD 15", 18", 21" or 24"**

BWSC24



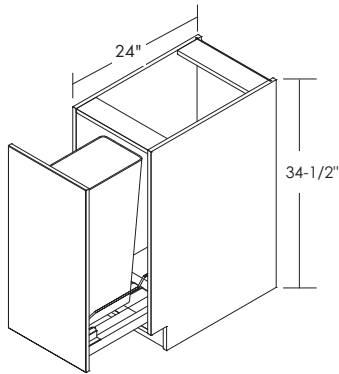
BASE WINE RACK

- Color matching interior

BWR6

BASE CABINETS

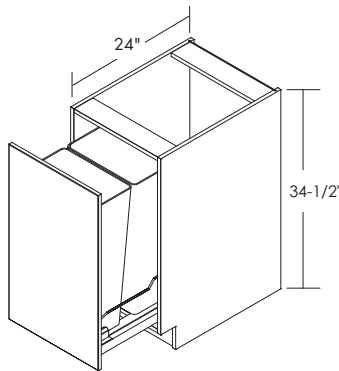
Cabinet Height: 34-1/2". Toe Kick Height: 4".



BASE FULL HEIGHT WITH SINGLE WASTEBASKET BIN PULL OUT

- Door is attached to wastebasket guides and opens as drawer
- 50 qt. removable trash container
- Integrated full extension soft-close guide system

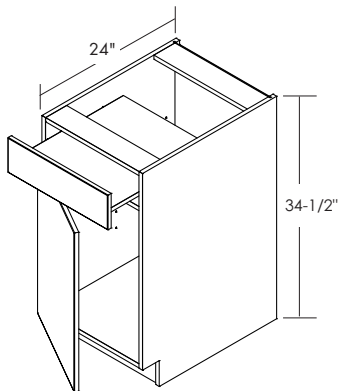
B15FWBS



BASE FULL HEIGHT WITH DOUBLE WASTEBASKET BIN PULL OUT

- Door is attached to wastebasket guides and opens as drawer
- Two 50 qt. removable trash containers
- Integrated full extension soft-close guide system

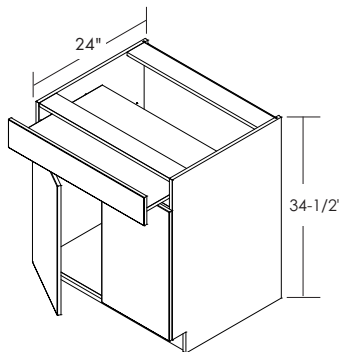
B18FWBD
 B21FWBD



BASE SINGLE DOOR AND ROLL OUT WORK SURFACE

- Two hinges per door
- Specify L or R door hinging
- Comes with adjustable half depth shelf
- Work surface is white melamine
- AD 21" and 22"
- FDS
- * Not available in Forza door style

*B09ROW L or R
 B12ROW L or R
 B15ROW L or R
 B18ROW L or R
 B21ROW L or R
 B24ROW L or R



BASE DOUBLE DOOR AND ROLL OUT WORK SURFACE

- Two hinges per door
- Comes with adjustable half depth shelf
- Work surface is white melamine
- AD 21" and 22"
- FDS

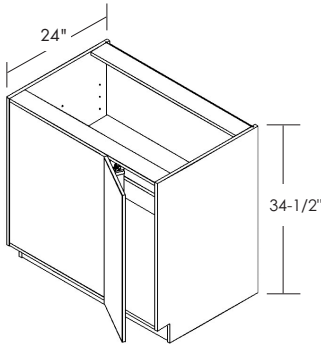
B24ROW
 B27ROW
 B30ROW
 B33ROW
 B36ROW

AD = Altered depth option
 FDS = Full depth shelf option

BASE CABINETS

Cabinet Height: 34-1/2". Toe Kick Height: 4".

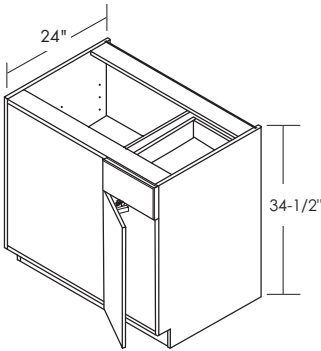
BLIND BASE FULL HEIGHT DOOR



- Two hinges per door
- Specify L or R door hinging
- Comes with adjustable half depth shelf
- Must order filler separately
- **AD 21" and 22"**
- **FDS**

- BB39/42FH L or R
- BB42/45FH L or R
- BB45/48FH L or R
- BB48/51FH L or R
- BB51/54FH L or R

BLIND BASE SINGLE DOOR AND DRAWER

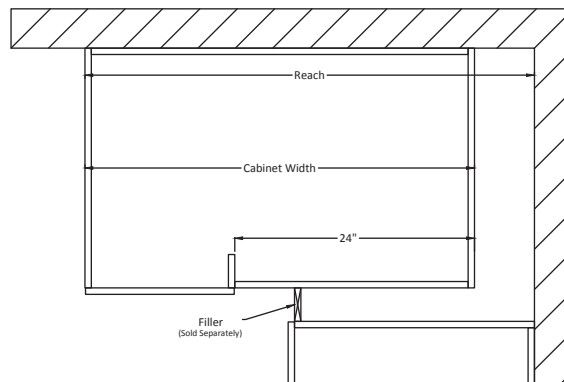


- Two hinges per door
- Specify L or R door hinging
- Comes with adjustable half depth shelf
- Must order filler separately
- **AD 21" and 22"**
- **FDS**

- BB39/42 L or R
- BB42/45 L or R
- BB45/48 L or R
- BB48/51 L or R
- BB51/54 L or R

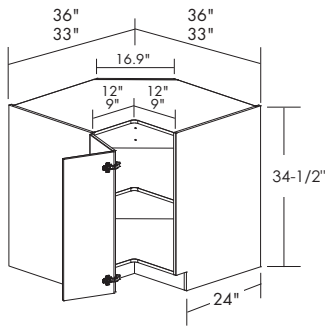
TYPICAL BLIND BASE LAYOUT

Cabinet	Cabinet Width	Cabinet Replaced	Reach
BB39/42FH	36	12	39-42
BB42/45FH	39	15	42-45
BB45/48FH	42	18	45-48
BB48/51FH	45	21	48-51
BB51/54FH	48	24	51-54



BASE CABINERY

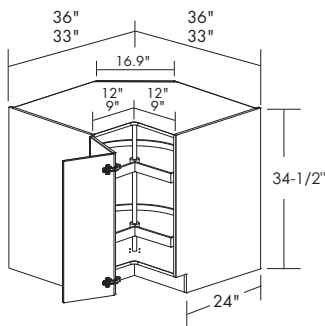
Cabinet Height: 34-1/2". Toe Kick Height: 4".



BASE EASY REACH

- Two hinges per door
- Bifold doors are hinged together
- Specify L or R door hinging
- Comes with one adjustable full depth shelf
- This cabinet is not intended to be used at the end of a cabinet run
- Soft-close hinge is not available for this cabinet
- **NOTE: If cabinet is installed next to an appliance that is deeper than 25", it may interfere with door opening. Use of a filler or a BRP end panel between the cabinet and appliance is recommended.**

BER33 L or R
BER36 L or R



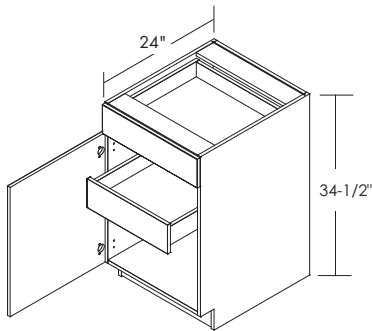
BASE LAZY SUSAN

- Two hinges per door
- Bifold doors are hinged together
- Specify L or R door hinging
- Two high impact 24" diameter white plastic shelves that rotate independently of each other
- Top shelf height is adjustable
- This cabinet is not intended to be used at the end of a cabinet run
- Soft-close hinge is not available for this cabinet
- **NOTE: If cabinet is installed next to an appliance that is deeper than 25", it may interfere with door opening. Use of a filler or a BRP end panel between the cabinet and appliance is recommended.**

BLS33 L or R
BLS36 L or R

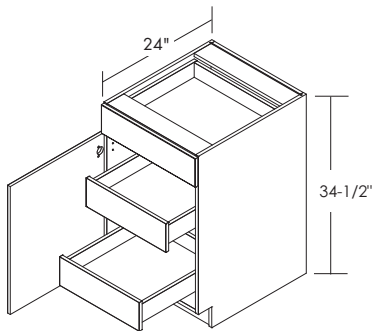
AD = Altered depth option

Cabinet Height: 34-1/2". Toe Kick Height: 4".

BASE CABINETRY**BASE SINGLE DOOR AND DRAWER WITH ONE ROLL OUT SHELF**

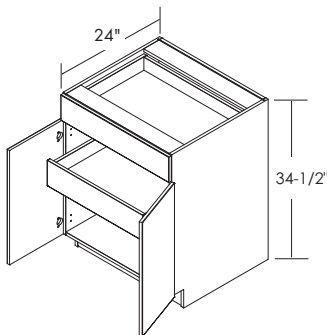
- Two hinges per door
- Specify L or R door hinging
- One full depth shelf tray
- **AD 21" and 22"**

B12ROS L or R
 B15ROS L or R
 B18ROS L or R
 B21ROS L or R
 B24ROS L or R

BASE SINGLE DOOR AND DRAWER WITH TWO ROLL OUT SHELVES

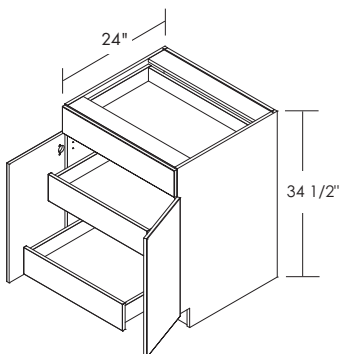
- Two hinges per door
- Specify L or R door hinging
- Two full depth shelf trays
- **AD 21" and 22"**

B12ROS2 L or R
 B15ROS2 L or R
 B18ROS2 L or R
 B21ROS2 L or R
 B24ROS2 L or R

BASE DOUBLE DOOR WITH SINGLE WIDE DRAWER AND ROLL OUT SHELF

- Two hinges per door
- One full depth shelf tray
- **AD 21" and 22"**

B24ROS
 B27ROS
 B30ROS
 B33ROS

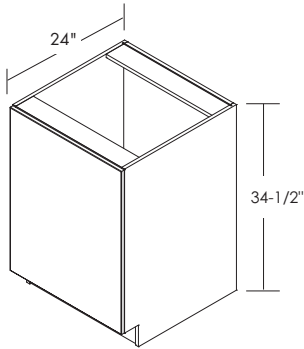
BASE DOUBLE DOOR WITH SINGLE WIDE DRAWER AND TWO ROLL OUT SHELVES

- Two hinges per door
- Two full depth shelf tray
- **AD 21" and 22"**

B24ROS2
 B27ROS2
 B30ROS2
 B33ROS2

BASE CABINETS

Cabinet Height: 34-1/2". Toe Kick Height: 4".



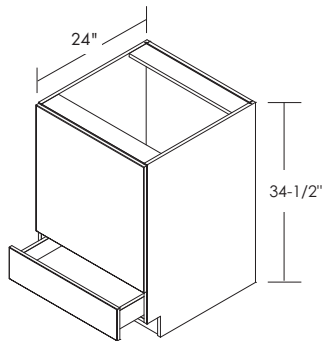
BASE OVEN CABINET

- Attached overlay panel
- Field trimmed base on oven specifications

BOC27
BOC30
BOC33

MAXIMUM CUT OUT DIMENSIONS

MODEL	WIDTH MAXIMUM	HEIGHT MAXIMUM
BOC27	24.5"	29.0"
BOC30	27.5"	29.0"
BOC33	30.5"	29.0"



BASE OVEN CABINET WITH DRAWER

- One bottom drawer
- Attached overlay panel
- Field trimmed base on oven specifications
- Bottom drawer is standard drawer height

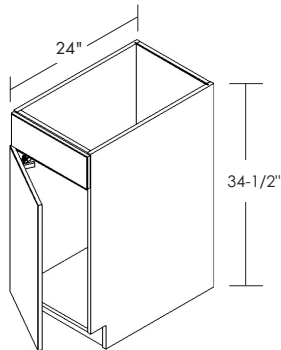
BOD27
BOD30
BOD33

MAXIMUM CUT OUT DIMENSIONS

MODEL	WIDTH MAXIMUM	HEIGHT MAXIMUM
BOD27	24.5"	23.0"
BOD30	27.5"	23.0"
BOD33	30.5"	23.0"

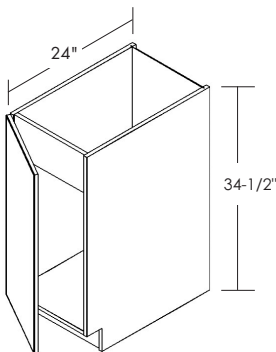
AD = Altered depth option

Cabinet Height: 34-1/2". Toe Kick Height: 4".

BASE CABINETRY**SINGLE DOOR SINK BASE**

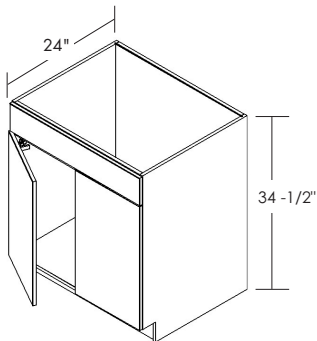
- Two hinges per door
- Specify L or R door hinging
- One false front
- **AD 15", 18", 21" or 22"**

SB18 L or R
 SB21 L or R
 SB24 L or R

SINGLE DOOR FULL HEIGHT SINK BASE

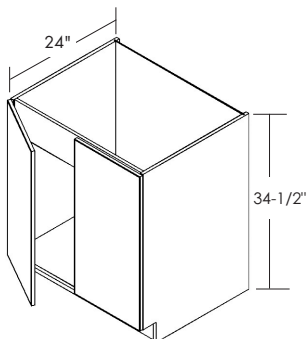
- Two hinges per door
- Specify L or R door hinging
- **AD 15", 18", 21" or 22"**

SB18FH L or R
 SB21FH L or R
 SB24FH L or R

DOUBLE DOOR SINK BASE WITH SINGLE DRAWER FRONT

- Two hinges per door
- One false front
- **AD 15", 18", 21" or 22"**

SB24
 SB27
 SB30
 SB33
 SB36
 SB39
 SB42
 SB45
 SB48

DOUBLE DOOR FULL HEIGHT SINK BASE

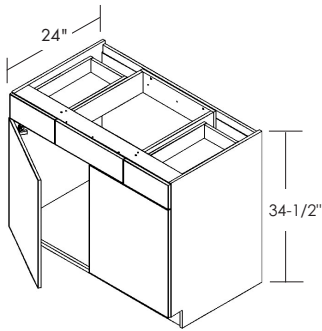
- Two hinges per door
- **AD 15", 18", 21" or 22"**

SB24FH
 SB27FH
 SB30FH
 SB33FH
 SB36FH
 SB39FH
 SB42FH
 SB45FH
 SB48FH

BASE CABINERY

AD = Altered depth option

Cabinet Height: 34-1/2". Toe Kick Height: 4".



DOUBLE DOOR SINK BASE COMBINATION

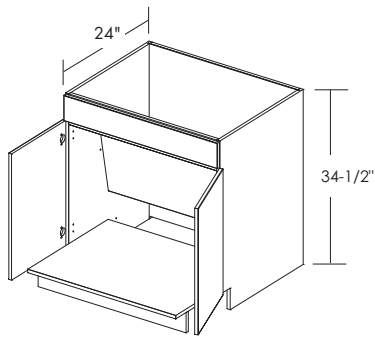
- Two hinges per door
- One standard depth drawer on each side with one false front center
- **AD 21" and 22"**
- * **When ordered in Forza, the narrow drawer heads will be slab style**

*CSB39	9" drawers	21" false front
CSB42	12" drawers	18" false front
CSB45	12" drawers	21" false front
CSB48	12" drawers	24" false front

BASE CABINETRY

AD = Altered depth option

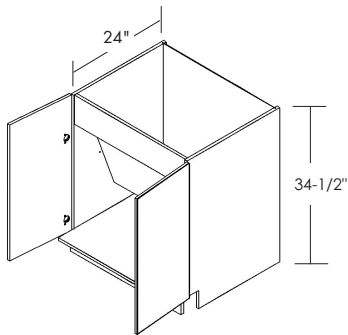
Cabinet Height: 34-1/2". Toe Kick Height: 4".



SINK BASE REMOVABLE BOTTOM

- Two hinges per door
- One false front
- Matching interior
- **AD 21" and 22"**

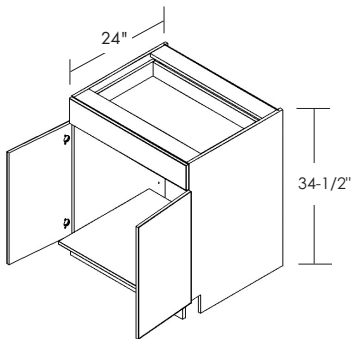
SB31.5RB
SB33RB
SB36RB
SB39RB
SB42RB



SINK BASE REMOVABLE BOTTOM FULL HEIGHT DOOR

- Two hinges per door
- Matching interior
- **AD 21" and 22"**

SB31.5FHRB
SB33FHRB
SB36FHRB
SB39FHRB
SB42FHRB

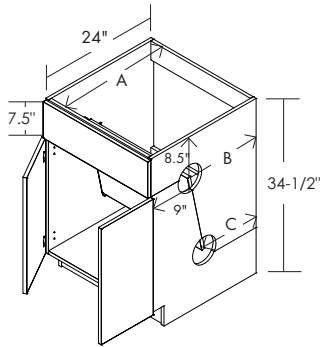


BASE REMOVABLE BOTTOM

- Two hinges per door
- One top drawer
- Matching interior
- **AD 21" and 22"**

B31.5RB
B33RB
B36RB
B39RB

BASE CABINETY



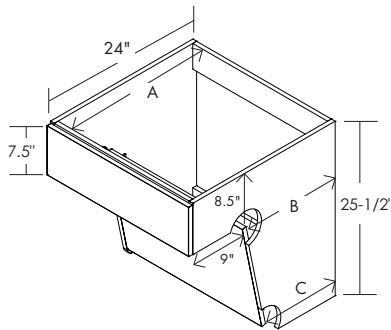
ACCESSIBLE SINK BASE

- Two hinges per door
- One false front
- Baffle matches exterior finish
- **Both the insert and base must be ordered**
- **AD 21" and 22"**
- **UFAS inserts wider than 36" should not be used without a base for support**



INSERT	BASE
UFASIOSB30	ACSB30B
UFASIOSB33	ACSB33B
UFASIOSB36	ACSB36B
UFASIOSB39	ACSB39B
UFASIOSB42	ACSB42B

Cabinet Depth	A	B	C
24"	22.7"	14.4"	11.1"
21"	19.7"	11.4"	8.1"



UFAS SINK BASE INSERT ONLY

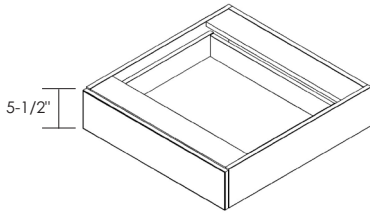
- Baffle is removable for plumbing access
- Designed to meet minimum National ADA clearance requirements when installed at 34-1/2" above the floor
- Insert can be trimmed in field to meet local codes
- Baffle matches exterior finish
- **AD 21" and 22"**
- **UFAS inserts wider than 36" should not be used without a base for support**

UFASIOSB30
UFASIOSB33
UFASIOSB36

Cabinet Depth	A	B	C
24"	22.7"	14.4"	11.1"
21"	19.7"	11.4"	8.1"

BASE CABINETY

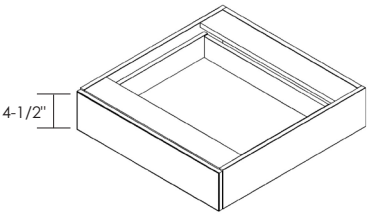
DRAWER SKIRT



- 5-1/2" high drawer skirt
- Not for use with cabinets less than 32.5" high when 27" knee clearance is required.

21" Deep	22" Deep	24" Deep
DS1821	DS1822	DS1824
DS2121	DS2122	DS2124
DS2421	DS2422	DS2424
DS2721	DS2722	DS2724
DS3021	DS3022	DS3024
DS3621	DS3622	DS3624

PENCIL DRAWER SKIRT

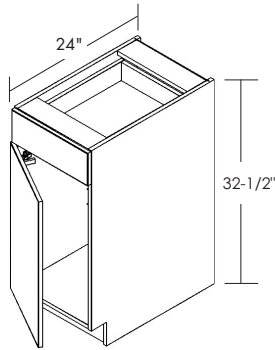


- 4-1/2" high pencil drawer
- When ordered as a 5PC drawer style, the drawer head will be slab style
- Not available with the Double Wall Drawer system

21" Deep	22" Deep	24" Deep
PD1821	PD1822	PD1824
PD2121	PD2122	PD2124
PD2421	PD2422	PD2424
PD2721	PD2722	PD2724
PD3021	PD3022	PD3024
PD3621	PD3622	PD3624

UNIVERSAL ACCESS BASE CABINETRY

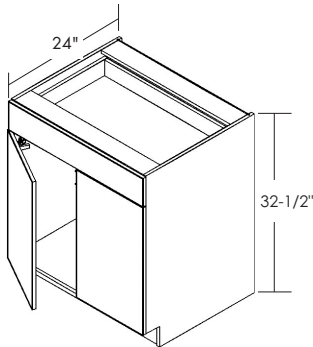
Cabinet Height: 32-1/2". Toe Kick Height: 4".



UNIVERSAL ACCESS BASE SINGLE DOOR AND DRAWER

- Two hinges per door
- Specify L or R door hinging
- Comes with adjustable half depth shelf
- **AD 21" and 22"**
- **FDS**
- *** Not available in Forza door style**

*HCB09 L or R
 HCB12 L or R
 HCB15 L or R
 HCB18 L or R
 HCB21 L or R
 HCB24 L or R



UNIVERSAL ACCESS BASE DOUBLE DOOR AND SINGLE DRAWER

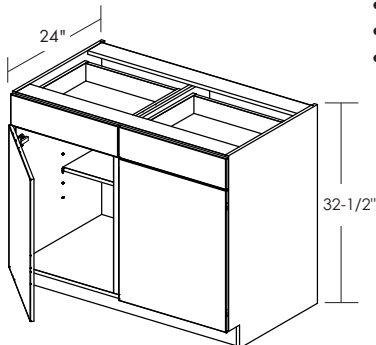
- Two hinges per door
- Comes with adjustable half depth shelf
- **AD 21" and 22"**
- **FDS**

HCB24
 HCB27
 HCB30
 HCB33
 HCB36
 *HCB39

***FDS is not available on HCB39**

UNIVERSAL ACCESS DOUBLE DOOR AND DRAWER WITH MULLION

- Two hinges per door
- Comes with adjustable half depth shelf
- **AD 21" and 22"**
- **FDS**



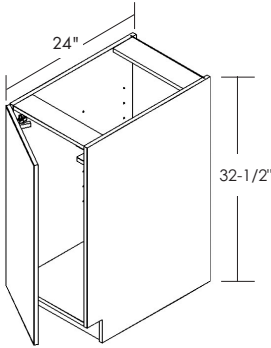
HCB42
 HCB45
 HCB48

NEW

AD = Altered depth option
 FDS = Full depth shelf option

UNIVERSAL ACCESS BASE CABINETRY

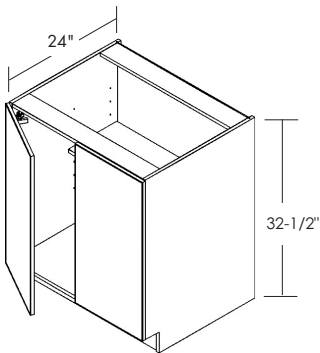
Cabinet Height: 32-1/2". Toe Kick Height: 4".



UNIVERSAL ACCESS BASE FULL HEIGHT SINGLE DOOR

- Two hinges per door
- Specify L or R door hinging
- Comes with adjustable half depth shelf
- AD 12", 15", 18", 21" or 22"
- FDS

HCBO9FH L or R
 HCB12FH L or R
 HCB15FH L or R
 HCB18FH L or R
 HCB21FH L or R
 HCB24FH L or R

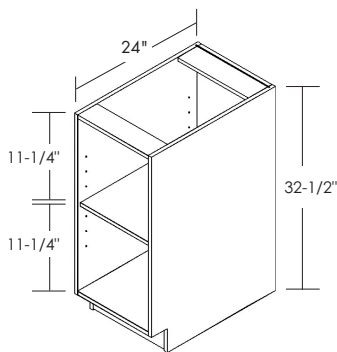


UNIVERSAL ACCESS BASE FULL HEIGHT DOUBLE DOOR

- Two hinges per door
- Comes with adjustable half depth shelf
- AD 12", 15", 18", 21" or 22"
- FDS

HCBO24FH
 HCB27FH
 HCB30FH
 HCB33FH
 HCB36FH
 *HCB39FH
 *HCB42FH
 *HCB45FH
 *HCB48FH

*FDS is not available on HCB39FH, HCB42FH, HCB45FH, and HCB48FH



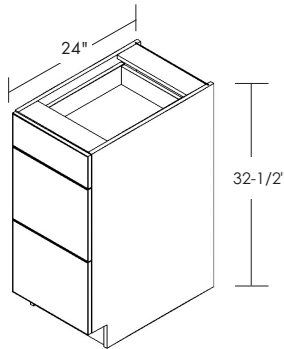
UNIVERSAL ACCESS BASE BOOKSHELF

- One adjustable full depth shelf
- Color matching interior
- AD 12", 18", 21" or 22"

HCBBS18
 HCBBS21
 HCBBS24
 HCBBS27
 HCBBS30

UNIVERSAL ACCESS BASE CABINETRY

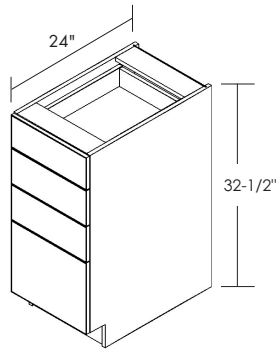
Cabinet Height: 32- 1/2". Toe Kick Height: 4".



UNIVERSAL ACCESS THREE DRAWER BASE

- One standard depth drawer on top and two deep drawers on bottom
- **AD 21" and 22"**
- * Not available in Forza door style

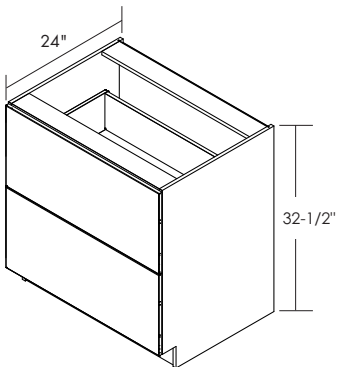
*HCDB09-3
 HCDB12-3
 HCDB15-3
 HCDB18-3
 HCDB21-3
 HCDB24-3
 HCDB27-3
 HCDB30-3



UNIVERSAL ACCESS FOUR DRAWER BASE

- Three standard depth drawers on top and one deep drawer on bottom
- **AD 21" and 22"**
- * Not available in Forza door style

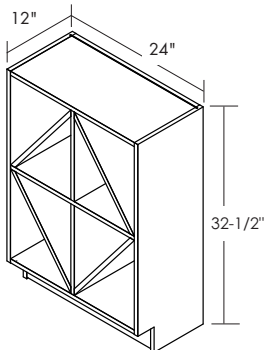
*HCDB09-4
 HCDB12-4
 HCDB15-4
 HCDB18-4
 HCDB21-4
 HCDB24-4
 HCDB27-4
 HCDB30-4



UNIVERSAL ACCESS POTS AND PANS DRAWER BASE

- Two deep drawers
- **AD 21" and 22"**
- **Double Wall Metal Soft-close drawer only**

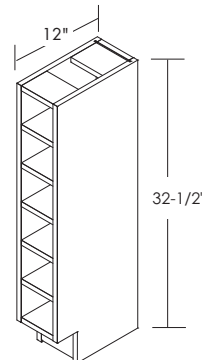
HCDBPP33-2
 HCDBPP36-2

NEW


UNIVERSAL ACCESS BASE WINE RACK

- Color matching interior
- **AD 15", 18", 21" or 24"**

HCBWSC24



UNIVERSAL ACCESS BASE WINE RACK

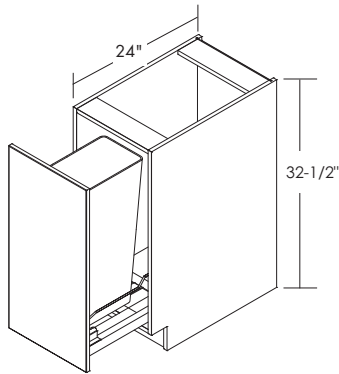
- Color matching interior

HCBWR6

AD = Altered depth option

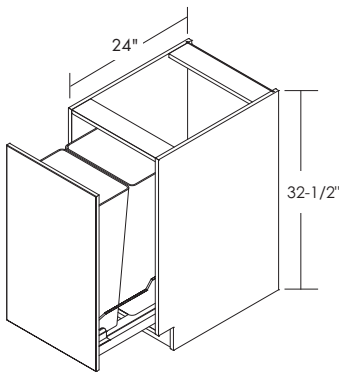
UNIVERSAL ACCESS BASE CABINETRY

Cabinet Height: 32-1/2". Toe Kick Height: 4".

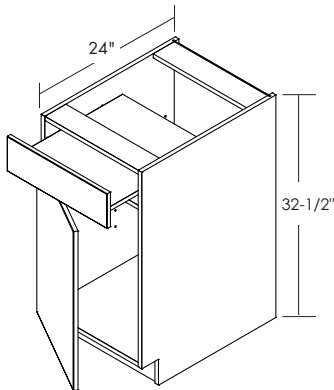
**UNIVERSAL ACCESS BASE FULL HEIGHT WITH SINGLE WASTEBASKET BIN PULL OUT**

- Door is attached to wastebasket guides and opens as drawer
- 50 qt. removable trash container
- Integrated full extension soft-close guide system

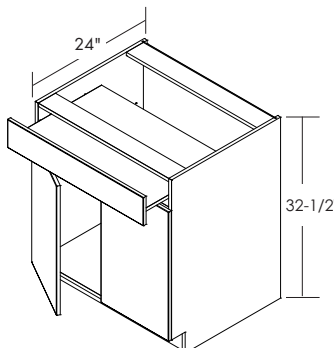
HCB15FHWS

**UNIVERSAL ACCESS BASE FULL HEIGHT WITH DOUBLE WASTEBASKET BIN PULL OUT**

- Door is attached to wastebasket guides and opens as drawer
- Two 50 qt. removable trash containers
- Integrated full extension soft-close guide system

HCB18FHWS
HCB21FHWS**UNIVERSAL BASE SINGLE DOOR AND ROLL OUT WORK SURFACE**

- Two hinges per door
- Specify L or R door hinging
- Comes with adjustable half depth shelf
- Work surface is white melamine
- **AD 21" and 22"**
- **FDS**
- * **Not available in Forza door style**

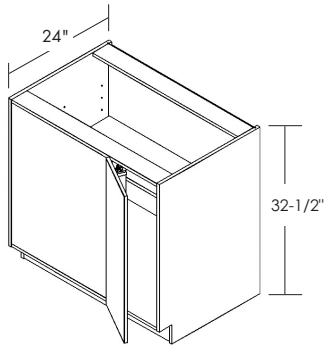
*HCB09ROW L or R
HCB12ROW L or R
HCB15ROW L or R
HCB18ROW L or R
HCB21ROW L or R
HCB24ROW L or R**UNIVERSAL BASE DOUBLE DOOR AND ROLL OUT WORK SURFACE**

- Two hinges per door
- Comes with adjustable half depth shelf
- Work surface is white melamine
- **AD 21" and 22"**
- **FDS**

HCB24ROW
HCB27ROW
HCB30ROW
HCB33ROW
HCB36ROW

UNIVERSAL ACCESS BASE CABINETRY

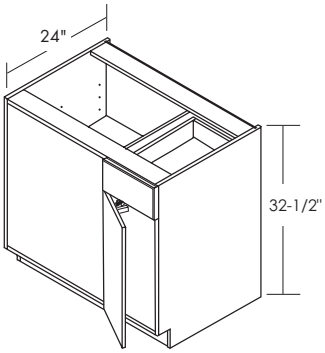
Cabinet Height: 32-1/2". Toe Kick Height: 4".



UNIVERSAL ACCESS BLIND BASE FULL HEIGHT DOOR

- Two hinges per door
- Specify L or R door hinging
- Comes with adjustable half depth shelf
- Must order filler separately
- **AD 21" and 22"**
- **FDS**

HCBB39/42FH L or R
 HCBB42/45FH L or R
 HCBB45/48FH L or R
 HCBB48/51FH L or R
 HCBB51/54FH L or R



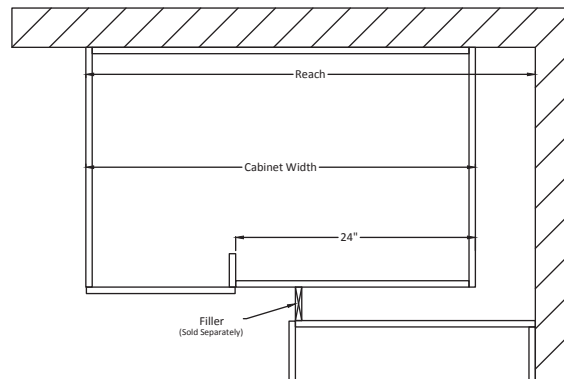
UNIVERSAL ACCESS BLIND BASE SINGLE DOOR AND DRAWER

- Two hinges per door
- Specify L or R door hinging
- Comes with adjustable half depth shelf
- Must order filler separately
- **AD 21" and 22"**
- **FDS**

HCBB39/42 L or R
 HCBB42/45 L or R
 HCBB45/48 L or R
 HCBB48/51 L or R
 HCBB51/54 L or R

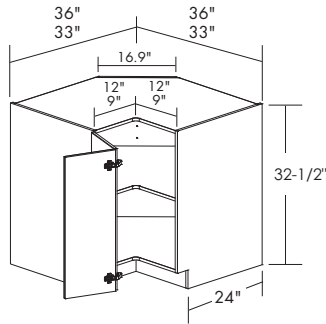
TYPICAL BLIND BASE LAYOUT

Cabinet	Cabinet Width	Cabinet Replaced	Reach
HCBB39/42FH	36	12	39-42
HCBB42/45FH	39	15	42-45
HCBB45/48FH	42	18	45-48
HCBB48/51FH	45	21	48-51
HCBB51/54FH	48	24	51-54



UNIVERSAL ACCESS BASE CABINETRY

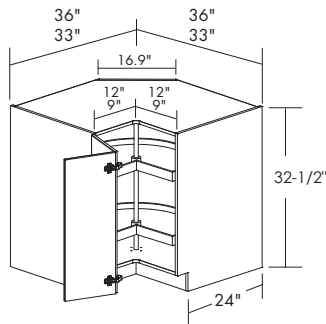
Cabinet Height: 32-1/2". Toe Kick Height: 4".



UNIVERSAL ACCESS BASE EASY REACH

- Two hinges per door
- Bifold doors are hinged together
- Specify L or R door hinging
- Comes with one adjustable full depth shelf
- This cabinet is not intended to be used at the end of a cabinet run
- Soft-close hinge is not available for this cabinet
- **NOTE: If cabinet is installed next to an appliance that is deeper than 25", it may interfere with door opening. Use of a filler or a BRP end panel between the cabinet and appliance is recommended.**

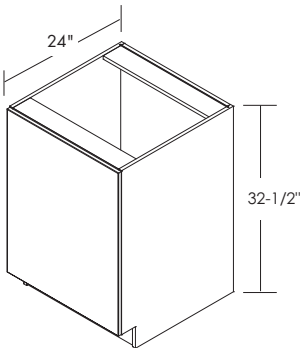
HCBER33 L or R
HCBER36 L or R



UNIVERSAL ACCESS BASE LAZY SUSAN

- Two hinges per door
- Bifold doors are hinged together
- Specify L or R door hinging
- Two high impact 24" diameter white plastic shelves that rotate independently of each other
- Top shelf height is adjustable
- This cabinet is not intended to be used at the end of a cabinet run
- Soft-close hinge is not available for this cabinet
- **NOTE: If cabinet is installed next to an appliance that is deeper than 25", it may interfere with door opening. Use of a filler or a BRP end panel between the cabinet and appliance is recommended.**

HCBS33 L or R
HCBS36 L or R



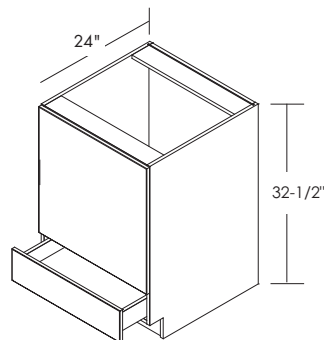
UNIVERSAL ACCESS BASE OVEN CABINET

- Attached overlay panel
- Field trimmed base on oven specifications

HBCOC27
HBCOC30
HBCOC33

MAXIMUM CUT OUT DIMENSIONS

MODEL	WIDTH MAXIMUM	HEIGHT MAXIMUM
HBCOC27	24.5"	27.0"
HBCOC30	27.5"	27.0"
HBCOC33	30.5"	27.0"



UNIVERSAL ACCESS BASE OVEN CABINET WITH DRAWER

- One bottom drawer
- Attached overlay panel
- Field trimmed base on oven specifications
- Bottom drawer is standard drawer height

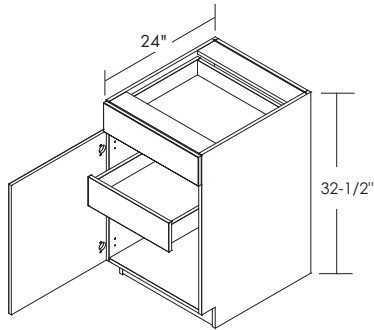
HCBOD27
HCBOD30
HCBOD33

MAXIMUM CUT OUT DIMENSIONS

MODEL	WIDTH MAXIMUM	HEIGHT MAXIMUM
HCBOD27	24.5"	21.0"
HCBOD30	27.5"	21.0"
HCBOD33	30.5"	21.0"

UNIVERSAL ACCESS CABINETRY

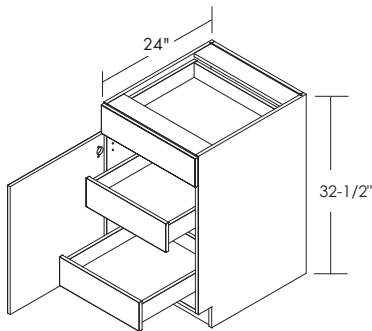
Cabinet Height: 32-1/2". Toe Kick Height: 4".



UNIVERSAL ACCESS BASE SINGLE DOOR AND DRAWER WITH ONE ROLL OUT SHELF

- Two hinges per door
- Specify L or R door hinging
- One full depth shelf tray
- **AD 21" and 22"**

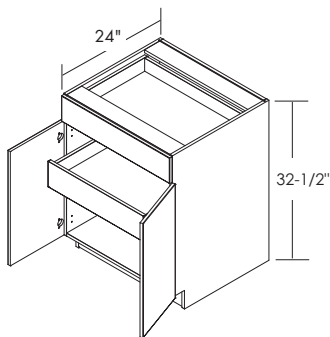
HCB12ROS L or R
HCB15ROS L or R
HCB18ROS L or R
HCB21ROS L or R
HCB24ROS L or R



UNIVERSAL ACCESS BASE SINGLE DOOR AND DRAWER WITH TWO ROLL OUT SHELVES

- Two hinges per door
- Specify L or R door hinging
- Two full depth shelf trays
- **AD 21" and 22"**

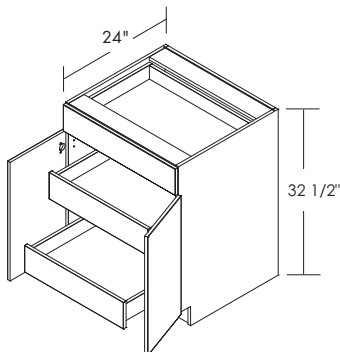
HCB12ROS2 L or R
HCB15ROS2 L or R
HCB18ROS2 L or R
HCB21ROS2 L or R
HCB24ROS2 L or R



UNIVERSAL ACCESS BASE DOUBLE DOOR WITH SINGLE WIDE DRAWER AND ROLL OUT SHELF

- Two hinges per door
- One full depth shelf tray
- **AD 21" and 22"**

HCB24ROS
HCB27ROS
HCB30ROS
HCB33ROS



UNIVERSAL ACCESS BASE DOUBLE DOOR WITH SINGLE WIDE DRAWER AND TWO ROLL OUT SHELVES

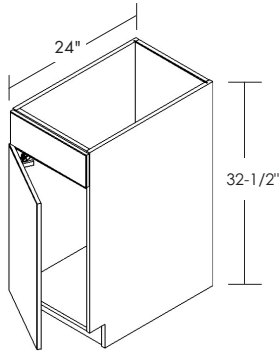
- Two hinges per door
- Two full depth shelf trays
- **AD 21" and 22"**

HCB24ROS2
HCB27ROS2
HCB30ROS2
HCB33ROS2

AD = Altered depth option

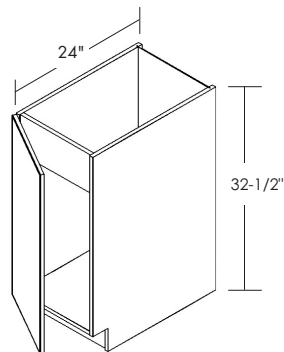
UNIVERSAL ACCESS CABINETRY

Cabinet Height: 32-1/2". Toe Kick Height: 4".

**UNIVERSAL ACCESS SINGLE DOOR SINK BASE**

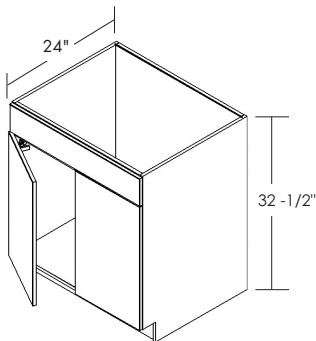
- Two hinges per door
- Specify L or R door hinging
- One false front
- **AD 15", 18", 21" or 22"**

HCSB18 L or R
HCSB21 L or R
HCSB24 L or R

**UNIVERSAL ACCESS SINGLE DOOR FULL HEIGHT SINK BASE**

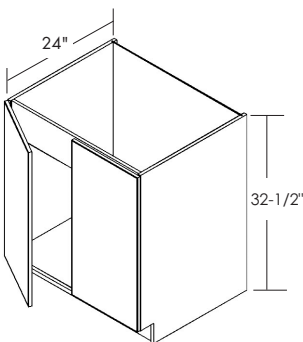
- Two hinges per door
- Specify L or R door hinging
- **AD 15", 18", 21" or 22"**

HCSB18FH L or R
HCSB21FH L or R
HCSB24FH L or R

**UNIVERSAL ACCESS DOUBLE DOOR SINK BASE WITH SINGLE DRAWER FRONT**

- Two hinges per door
- One false front
- **AD 15", 18", 21" or 22"**

HCSB24
HCSB27
HCSB30
HCSB33
HCSB36
HCSB39
HCSB42
HCSB45
HCSB48

**UNIVERSAL ACCESS DOUBLE DOOR FULL HEIGHT SINK BASE**

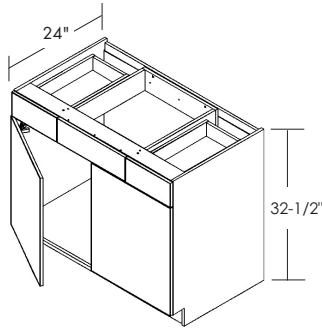
- Two hinges per door
- **AD 15", 18", 21" or 22"**

HCSB24FH
HCSB27FH
HCSB30FH
HCSB33FH
HCSB36FH
HCSB39FH
HCSB42FH
HCSB45FH
HCSB48FH

UNIVERSAL ACCESS CABINETRY

Cabinet Height: 32-1/2". Toe Kick Height: 4".

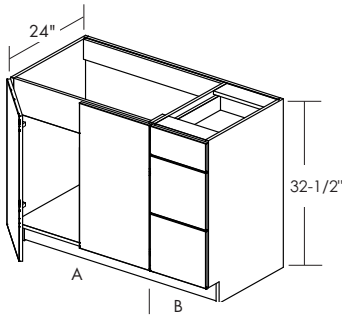
UNIVERSAL ACCESS DOUBLE DOOR SINK BASE COMBINATION



- Two hinges per door
- One standard depth drawer on each side with one false front center
- **AD 21" and 22"**
- * **When ordered in Forza, the narrow drawer heads will be slab style**

HCCSB39	9" drawers	21" false front
HCCSB42	12" drawers	18" false front
HCCSB45	12" drawers	21" false front
HCCSB48	12" drawers	24" false front

UNIVERSAL ACCESS FULL HEIGHT DOUBLE DOOR SINK WITH THREE DRAWER BASE COMBINATION

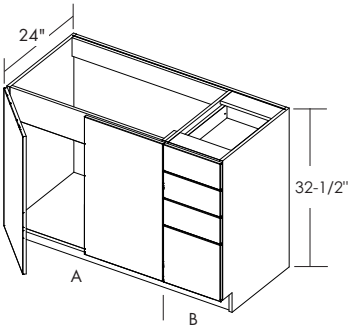


L sink location shown

- Two hinges per door
- One standard drawer and two deep drawers
- Specify L or R for sink base location
- **AD 21"**

	A	B		A	B
HCSDBC36FH L or R	24"	12"	HCSDBC39FH-DB15 L or R	24"	15"
HCSDBC39FH L or R	27"	12"	HCSDBC42FH-DB15 L or R	27"	15"
HCSDBC42FH L or R	30"	12"	HCSDBC45FH-DB15 L or R	30"	15"
HCSDBC45FH L or R	33"	12"	HCSDBC48FH-DB15 L or R	33"	15"
HCSDBC48FH L or R	36"	12"			

UNIVERSAL ACCESS FULL HEIGHT DOUBLE DOOR SINK WITH FOUR DRAWER BASE COMBINATION



L sink location shown

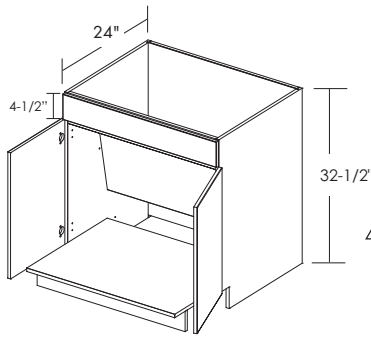
- Two hinges per door
- Three standard drawers and one deep drawer
- Specify L or R for sink base location
- **AD 21"**

	A	B		A	B
HCS4DBC36FH L or R	24"	12"	HCS4DBC39FH-DB15 L or R	24"	15"
HCS4DBC39FH L or R	27"	12"	HCS4DBC42FH-DB15 L or R	27"	15"
HCS4DBC42FH L or R	30"	12"	HCS4DBC45FH-DB15 L or R	30"	15"
HCS4DBC45FH L or R	33"	12"	HCS4DBC48FH-DB15 L or R	33"	15"
HCS4DBC48FH L or R	36"	12"			

AD = Altered depth option

UNIVERSAL ACCESS CABINETRY

Cabinet Height: 32-1/2". Toe Kick Height: 4".

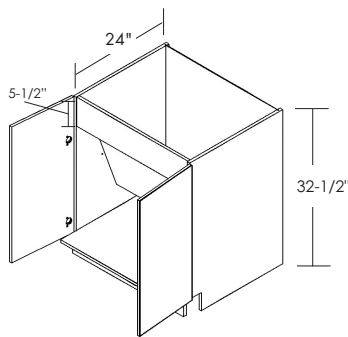


UNIVERSAL ACCESS SINK BASE REMOVABLE BOTTOM



- Two hinges per door
- One false front
- Matching interior
- **AD 21" and 22"**
- * **When ordered in Forza or Chateau door style, sink front will be slab**
- **To meet clearance requirements, the sink front height will NOT align with adjacent cabinetry with drawers or a drawer front.**

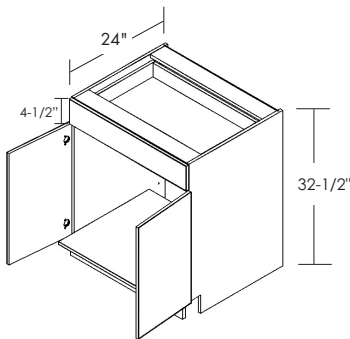
HCSB31.5RB
HCSB33RB
HCSB36RB
HCSB39RB
HCSB42RB



UNIVERSAL ACCESS SINK BASE REMOVABLE BOTTOM FULL HEIGHT DOOR

- Two hinges per door
- Matching interior
- Sink skirt is 5-1/2" high
- **AD 21" and 22"**

HCSB31.5FHRB
HCSB33FHRB
HCSB36FHRB
HCSB39FHRB
HCSB42FHRB



UNIVERSAL ACCESS BASE REMOVABLE BOTTOM

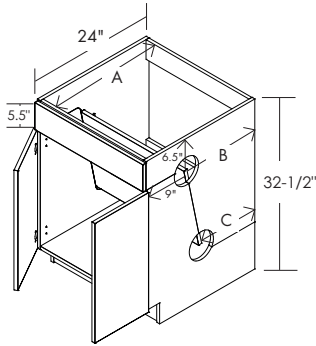


- Two hinges per door
- One top drawer
- Matching interior
- Not available with Double Wall Drawer system
- **AD 21" and 22"**
- * **When ordered in Forza or Chateau door style, sink front will be slab**
- **To meet clearance requirements, the sink front height will NOT align with adjacent cabinetry with drawers or a drawer front.**

HCB31.5RB
HCB33RB
HCB36RB
HCB39RB

UNIVERSAL ACCESS CABINETRY

UNIVERSAL ACCESS ACCESSIBLE SINK BASE

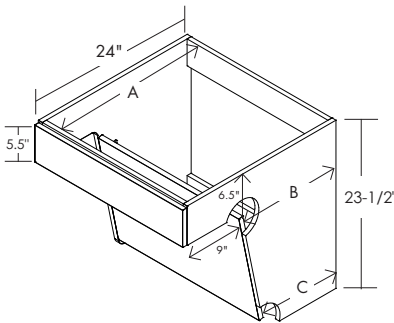


- Two hinges per door
- One false front
- Baffle matches exterior finish
- **Both the insert and base must be ordered**
- **AD 21" and 22"**
- **UFAS inserts wider than 36" should not be used without a base for support**

INSERT	BASE
UFASIOHCSB30	HCACSB30B
UFASIOHCSB33	HCACSB33B
UFASIOHCSB36	HCACSB36B
UFASIOHCSB39	HCACSB39B
UFASIOHCSB42	HCACSB42B

Cabinet Depth	A	B	C
24"	22.7"	14.4"	11.1"
21"	19.7"	11.4"	8.1"

UFAS UNIVERSAL ACCESS SINK BASE INSERT ONLY



- Baffle is removable for plumbing access
- Designed to meet minimum National ADA clearance requirements when installed at 32-1/2" above the floor
- Insert can be trimmed in field to meet local codes
- Baffle matches exterior finish
- **AD 21" and 22"**
- **UFAS inserts wider than 36" should not be used without a base for support**

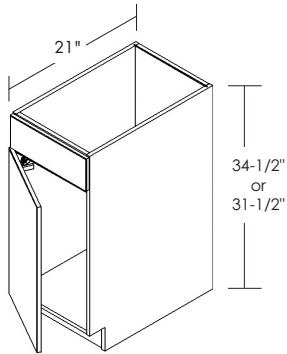
UFASIOHCSB30
UFASIOHCSB33
UFASIOHCSB36

Cabinet Depth	A	B	C
24"	22.7"	14.4"	11.1"
21"	19.7"	11.4"	8.1"

AD = Altered depth option

VANITY BASE CABINETS

Cabinet Height: 31-1/2" or 34-1/2". Toe Kick Height: 4".



SINGLE DOOR VANITY SINK BASE

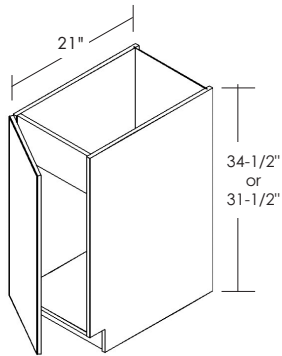
- Two hinges per door
- Specify L or R door hinging
- One false front
- **AD 18" and 22"**
- **NTK**

31-1/2" HIGH

VSB18 L or R
VSB21 L or R
VSB24 L or R

34-1/2" HIGH

VSB18H L or R
VSB21H L or R
VSB24H L or R



SINGLE DOOR FULL HEIGHT VANITY SINK BASE

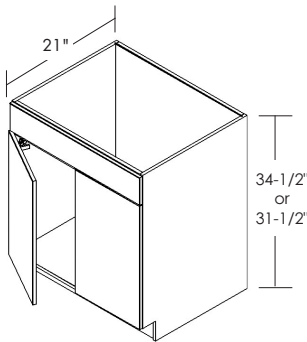
- Two hinges per door
- Specify L or R door hinging
- **AD 18" and 22"**
- **NTK**

31-1/2" HIGH

VSB18FH L or R
VSB21FH L or R
VSB24FH L or R

34-1/2" HIGH

VSB18HFH L or R
VSB21HFH L or R
VSB24HFH L or R



DOUBLE DOOR VANITY SINK BASE WITH SINGLE DRAWER FRONT

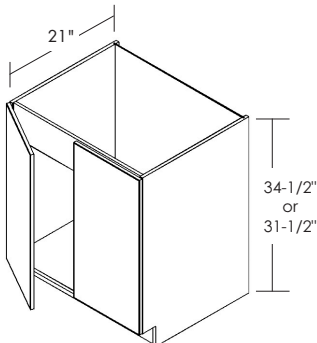
- Two hinges per door
- One false front
- **AD 18" and 22"**
- **NTK**

31-1/2" HIGH

VSB24
VSB27
VSB30
VSB33
VSB36
VSB39
VSB42
VSB45
VSB48

34-1/2" HIGH

VSB24H
VSB27H
VSB30H
VSB33H
VSB36H
VSB39H
VSB42H
VSB45H
VSB48H



DOUBLE DOOR FULL HEIGHT VANITY SINK BASE

- Two hinges per door
- **AD 18" and 22"**
- **NTK**

31-1/2" HIGH

VSB24FH
VSB27FH
VSB30FH
VSB33FH
VSB36FH
VSB39FH
VSB42FH
VSB45FH
VSB48FH

34-1/2" HIGH

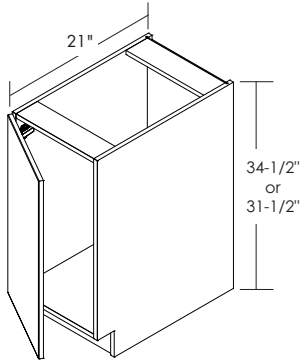
VSB24HFH
VSB27HFH
VSB30HFH
VSB33HFH
VSB36HFH
VSB39HFH
VSB42HFH
VSB45HFH
VSB48HFH

AD = Altered depth option
 NTK = No kick option

VANITY BASE CABINETRY

Cabinet Height: 31-1/2" or 34-1/2". Toe Kick Height: 4".

SINGLE DOOR FULL HEIGHT VANITY BASE



- Two hinges per door
- Specify L or R door hinging
- **AD 18" and 22"**
- **NTK**

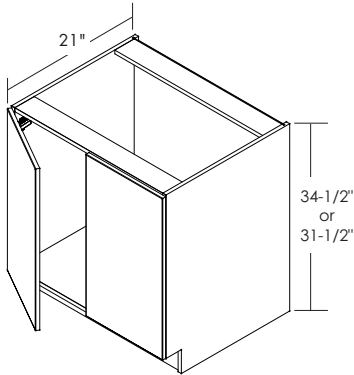
31-1/2" HIGH

VB09FH L or R
 VB12FH L or R
 VB15FH L or R
 VB18FH L or R
 VB21FH L or R
 VB24FH L or R

34-1/2" HIGH

VB09HFH L or R
 VB12HFH L or R
 VB15HFH L or R
 VB18HFH L or R
 VB21HFH L or R
 VB24HFH L or R

DOUBLE DOOR FULL HEIGHT VANITY BASE



- Two hinges per door
- **AD 18" and 22"**
- **NTK**

31-1/2" HIGH

VB24FH
 VB27FH
 VB30FH
 VB33FH
 VB36FH
 VB39FH
 VB42FH
 VB45FH
 VB48FH

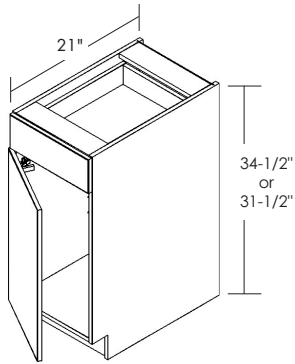
34-1/2" HIGH

VB24HFH
 VB27HFH
 VB30HFH
 VB33HFH
 VB36HFH
 VB39HFH
 VB42HFH
 VB45HFH
 VB48HFH

AD = Altered depth option
 NTK = No toe kick option

VANITY BASE CABINETRY

Cabinet Height: 31-1/2" or 34-1/2". Toe Kick Height: 4".



VANITY BASE SINGLE DOOR AND DRAWER

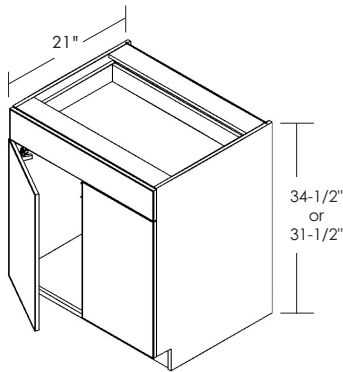
- Two hinges per door
- Specify L or R door hinging
- **AD 22"**
- **NTK**
- * **Not available in Forza door style**

31-1/2" HIGH

*VB09 L or R
 VB12 L or R
 VB15 L or R
 VB18 L or R
 VB21 L or R
 VB24 L or R

34-1/2" HIGH

*VB09H L or R
 VB12H L or R
 VB15H L or R
 VB18H L or R
 VB21H L or R
 VB24H L or R



VANITY BASE DOUBLE DOOR AND SINGLE DRAWER

- Two hinges per door
- **AD 22"**
- **NTK**

31-1/2" HIGH

VB24
 VB27
 VB30
 VB33
 VB36
 VB39

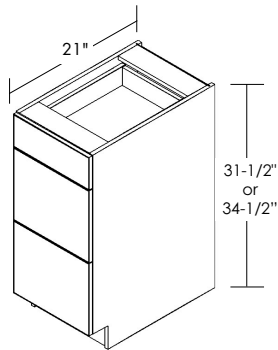
34-1/2" HIGH

VB24H
 VB27H
 VB30H
 VB33H
 VB36H
 VB39H

VANITY BASE CABINETRY

Cabinet Height: 31-1/2" or 34-1/2". Toe Kick Height: 4".

THREE DRAWER VANITY BASE



- One standard height drawer on top and two deep drawers on bottom
- **AD 22"**
- **NTK**
- * **Not available in Forza door style**

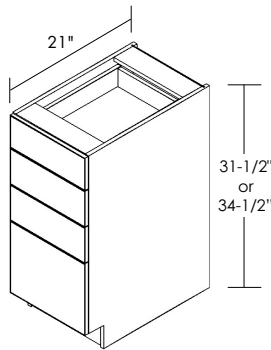
31-1/2" HIGH

*VDB09-3
VDB12-3
VDB15-3
VDB18-3
VDB21-3
VDB24-3
VDB27-3
VDB30-3

34-1/2" HIGH

*VDB09H-3
VDB12H-3
VDB15H-3
VDB18H-3
VDB21H-3
VDB24H-3
VDB27H-3
VDB30H-3

FOUR DRAWER VANITY BASE



- Three standard height drawers on top and one deep bottom drawer
- **AD 22"**
- **NTK**
- * **Not available in Forza door style**

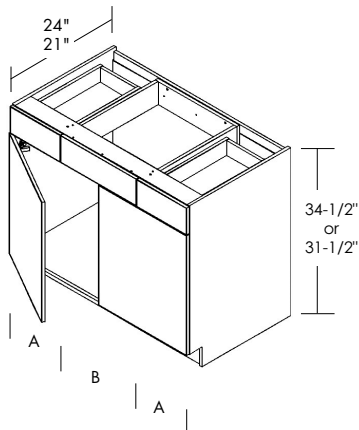
31-1/2" HIGH

*VDB09-4
VDB12-4
VDB15-4
VDB18-4
VDB21-4
VDB24-4
VDB27-4
VDB30-4

34-1/2" HIGH

*VDB09H-4
VDB12H-4
VDB15H-4
VDB18H-4
VDB21H-4
VDB24H-4
VDB27H-4
VDB30H-4

COMBO DOUBLE DOOR VANITY SINK BASE WITH TWO DRAWERS



- Two hinges per door
- Two standard depth drawers on each side with one false front center
- **AD 24" and 22"**
- * **When ordered in Forza door style, drawer head will be slab**

31-1/2" HIGH

*CVSB36
*CVSB39
CVSB42
CVSB45
CVSB48

34-1/2" HIGH

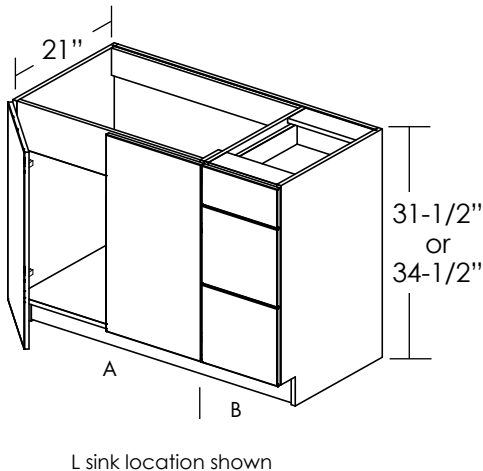
*CVSB36H
*CVSB39H
CVSB42H
CVSB45H
CVSB48H

	A	B	A
*CVSB36/CVSB36H	9"	18"	9"
*CVSB39/CVSB39H	9"	21"	9"
CVSB42/CVSB42H	12"	18"	12"
CVSB45/CVSB45H	12"	21"	12"
CVSB48/CVSB48H	12"	24"	12"

AD = Altered depth option

VANITY BASE CABINETRY

Cabinet Height: 31-1/2" or 34-1/2". Toe Kick Height: 4".



FULL HEIGHT COMBO VANITY DOUBLE DOOR SINK WITH THREE DRAWER BASE

NEW

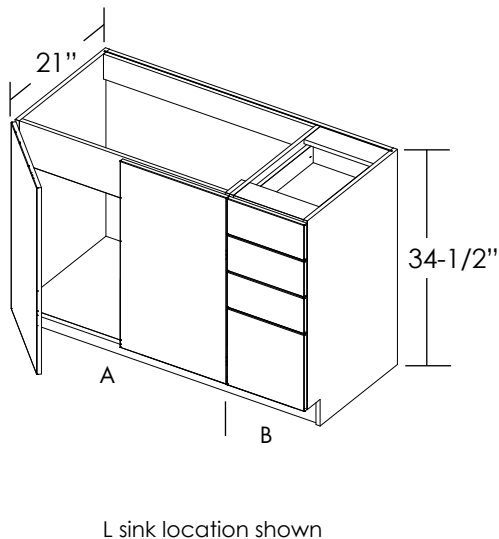
- Two hinges per door
- One standard drawer and two deep drawers
- Specify L or R for sink base location

STANDARD VANITY HEIGHT - 31-1/2" HIGH

12" DRAWERS	A	B	15" DRAWERS	A	B
CVSDB36FH L or R	24"	12"			
CVSDB39FH L or R	27"	12"	CVSDB39FH-DB15 L or R	24"	15"
CVSDB42FH L or R	30"	12"	CVSDB42FH-DB15 L or R	27"	15"
CVSDB45FH L or R	33"	12"	CVSDB45FH-DB15 L or R	30"	15"
CVSDB48FH L or R	36"	12"	CVSDB48FH-DB15 L or R	33"	15"

TALL VANITY HEIGHT - 34-1/2" HIGH

12" DRAWERS	A	B	15" DRAWERS	A	B
CV3SDB36HFH L or R	24"	12"			
CV3SDB39HFH L or R	27"	12"	CV3SDB39HFH-DB15 L or R	24"	15"
CV3SDB42HFH L or R	30"	12"	CV3SDB42HFH-DB15 L or R	27"	15"
CV3SDB45HFH L or R	33"	12"	CV3SDB45HFH-DB15 L or R	30"	15"
CV3SDB48HFH L or R	36"	12"	CV3SDB48HFH-DB15 L or R	33"	15"



TALL FULL HEIGHT COMBO VANITY DOUBLE DOOR SINK WITH FOUR DRAWER BASE

NEW

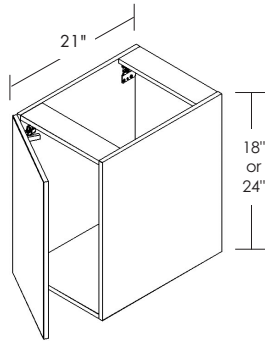
- Two hinges per door
- Three standard drawers and one deep drawer
- Specify L or R for sink base location

TALL VANITY HEIGHT - 34-1/2" HIGH

12" DRAWERS	A	B	15" DRAWERS	A	B
CVSDB36HFH L or R	24"	12"			
CVSDB39HFH L or R	27"	12"	CVSDB39HFH-DB15 L or R	24"	15"
CVSDB42HFH L or R	30"	12"	CVSDB42HFH-DB15 L or R	27"	15"
CVSDB45HFH L or R	33"	12"	CVSDB45HFH-DB15 L or R	30"	15"
CVSDB48HFH L or R	36"	12"	CVSDB48HFH-DB15 L or R	33"	15"

BASES

VANITY BASE CABINETS



HANGING VANITY BASE FULL HEIGHT SINGLE DOOR

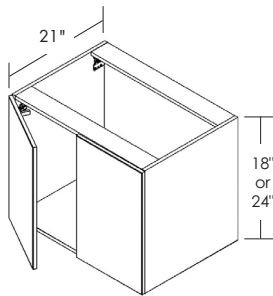
- Two hinges per door
- Specify L or R door hinging
- Comes with adjustable half depth shelf
- **AD 18" and 22"**
- **FDS**
- **Includes mounting brackets and requires solid blocking in wall**

18" HIGH

HVB0918FH L or R
HVB1218FH L or R
HVB1518FH L or R
HVB1818FH L or R
HVB2118FH L or R

24" HIGH

HVB0924FH L or R
HVB1224FH L or R
HVB1524FH L or R
HVB1824FH L or R
HVB2124FH L or R



HANGING VANITY BASE FULL HEIGHT DOUBLE DOOR

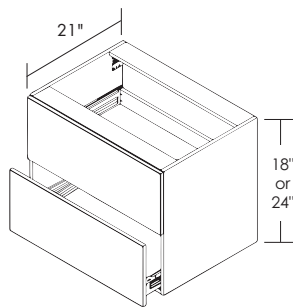
- Two hinges per door
- Comes with adjustable half depth shelf
- **AD 18" and 22"**
- **FDS**
- **Includes mounting brackets and requires solid blocking in wall**

18" HIGH

HVB2418FH
HVB2718FH
HVB3018FH
HVB3318FH
HVB3618FH

24" HIGH

HVB2424FH
HVB2724FH
HVB3024FH
HVB3324FH
HVB3624FH



HANGING VANITY TWO DRAWER BASE

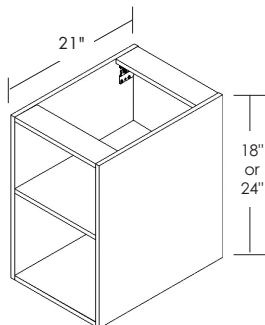
- Two equal size drawers
- **AD 22"**
- **Includes mounting brackets and requires solid blocking in wall**

18" HIGH

HVDB1218
HVDB1518
HVDB1818
HVDB2118
HVDB2418
HVDB2718
HVDB3018

24" HIGH

HVDB1224
HVDB1524
HVDB1824
HVDB2124
HVDB2424
HVDB2724
HVDB3024



HANGING VANITY BOOK SHELF

- One full depth fixed center shelf
- Two equal openings
- **AD 18" and 22"**
- **Includes mounting brackets and requires solid blocking in wall**

18" HIGH

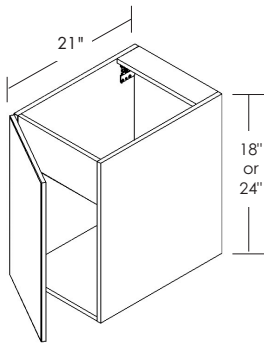
HVBS0918
HVBS1218
HVBS1518
HVBS1818
HVBS2118
HVBS2418
HVBS2718
HVBS3018
HVBS3318
HVBS3618

24" HIGH

HVBS0924
HVBS1224
HVBS1524
HVBS1824
HVBS2124
HVBS2424
HVBS2724
HVBS3024
HVBS3324
HVBS3624

AD = Altered depth option

Cabinet Height: 18" or 24".

VANITY BASE CABINETS**HANGING VANITY SINK BASE FULL HEIGHT SINGLE DOOR**

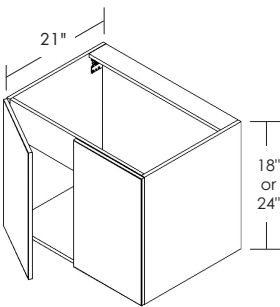
- Two hinges per door
- Specify L or R door hinging
- **AD 18" and 22"**
- **Includes mounting brackets and requires solid blocking in wall**

18" HIGH

HVSB1818FH L or R
HVSB2118FH L or R

24" HIGH

HVSB1824FH L or R
HVSB2124FH L or R

**HANGING VANITY SINK BASE FULL HEIGHT DOUBLE DOOR**

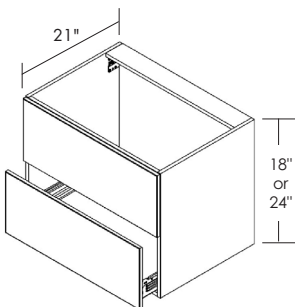
- Two hinges per door
- **AD 18" and 22"**
- **Includes mounting brackets and requires solid blocking in wall**

18" HIGH

HVSB2418FH
HVSB2718FH
HVSB3018FH
HVSB3318FH
HVSB3618FH

24" HIGH

HVSB2424FH
HVSB2724FH
HVSB3024FH
HVSB3324FH
HVSB3624FH

**HANGING VANITY SINK DRAWER BASE**

- One top false front
- One bottom drawer
- **AD 22"**
- **Includes mounting brackets and requires solid blocking in wall**

18" HIGH

HVSD1818
HVSD2118
HVSD2418
HVSD2718
HVSD3018

24" HIGH

HVSD1824
HVSD2124
HVSD2424
HVSD2724
HVSD3024

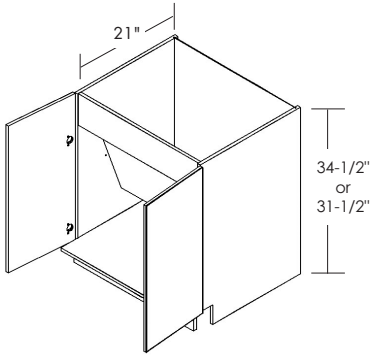
Leedo does not provide drawer cut out for p-trap and may require plumbing to clear drawer operation.

AD = Altered depth option
 NTK = No toe kick option

VANITY BASE CABINETRY

Cabinet Height: 31-1/2. Toe Kick Height: 4".

VANITY SINK BASE REMOVABLE BOTTOM FULL HEIGHT DOOR



- Two hinges per door
- Matching interiors
- **AD 18" and 22"**

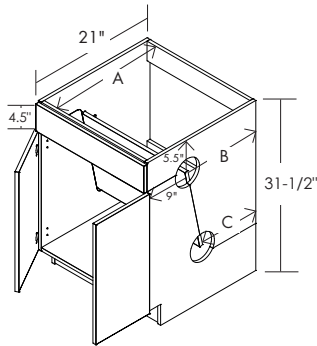
31-1/2" HIGH

- VSB31.5FHFB
- VSB33FHFB
- VSB36FHFB
- VSB39FHFB
- VSB42FHFB

34-1/2" HIGH

- VSB31.5HFHFB
- VSB33HFHFB
- VSB36HFHFB
- VSB39HFHFB
- VSB42HFHFB

ACCESSIBLE VANITY SINK BASE



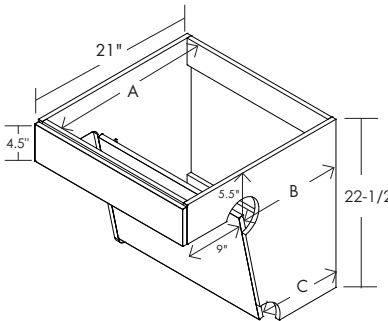
- Two hinges per door
- One false front
- Baffle matches exterior finish
- **AD 22"**
- **Both the insert and base must be ordered**
- **NTK option available on base**
- **UFAS inserts wider than 36" should not be used without a base for support**
- **When ordered in Forza or Chateau door style, the false drawer front will be slab**



INSERT	BASE
UFASIOV30	VACSB30B
UFASIOV33	VACSB33B
UFASIOV36	VACSB36B
UFASIOV39	VACSB39B
UFASIOV42	VACSB42B

Cabinet Depth	A	B	C
21"	19.7"	11.4"	8.1"

UFAS VANITY SINK BASE INSERT ONLY



- Baffle is removable for plumbing access
- Designed to meet minimum National ADA clearance requirements when installed 31-1/2" above the floor
- Insert can be trimmed in field to meet local codes
- Baffle matches exterior finish
- **AD 22"**
- **UFAS inserts wider than 36" should not be used without a base for support**
- **When ordered in Forza or Chateau door style, the false drawer front will be slab**

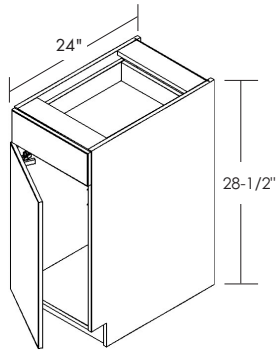
- UFASIOV30
- UFASIOV33
- UFASIOV36

Cabinet Depth	A	B	C
21"	19.7"	11.4"	8.1"

AD = Altered depth option
FDS = Full depth shelf option

DESK BASE CABINETRY

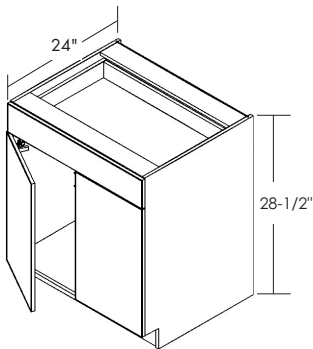
Cabinet Height: 28-1/2. Toe Kick Height: 4".



DESK BASE SINGLE DOOR AND DRAWER

- Two hinges per door
- Specify L or R door hinging
- Comes with adjustable half depth shelf
- **AD 21" and 22"**
- **FDS**

DKB12 L or R
 DKB15 L or R
 DKB18 L or R
 DKB21 L or R
 DKB24 L or R



DESK BASE DOUBLE DOOR AND SINGLE DRAWER

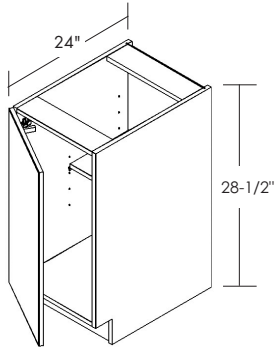
- Two hinges per door
- Comes with adjustable half depth shelf
- **AD 21" and 22"**
- **FDS**

DKB24
 DKB27

AD = Altered depth option
FDS = Full depth shelf option

DESK BASE CABINETRY

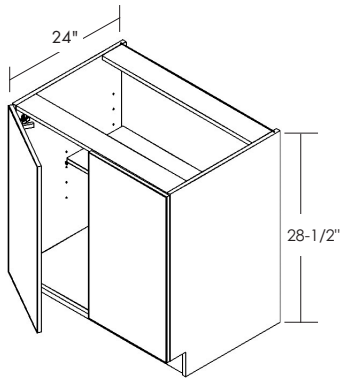
Cabinet Height: 28-1/2". Toe Kick Height: 4".



DESK BASE FULL HEIGHT SINGLE DOOR

- Two hinges per door
- Specify L or R door hinging
- Comes with adjustable half depth shelf
- **AD 18", 21" or 22"**
- **FDS**

DKB09FH L or R
 DKB12FH L or R
 DKB15FH L or R
 DKB18FH L or R
 DKB21FH L or R
 DKB24FH L or R



DESK BASE FULL HEIGHT DOUBLE DOOR

- Two hinges per door
- Comes with adjustable half depth shelf
- **AD 18", 21" or 22"**
- **FDS**

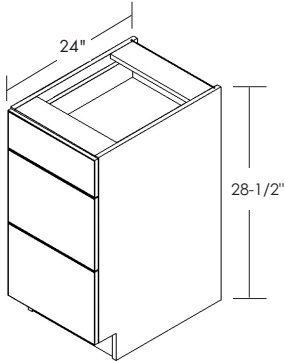
DKB24FH
 DKB27FH
 DKB30FH
 DKB33FH
 DKB36FH
 *DKB39FH
 *DKB42FH
 *DKB45FH
 *DKB48FH

*FDS is not available on DKB39FH, DKB42FH, DKB45FH, and DKB48FH

AD = Altered depth option

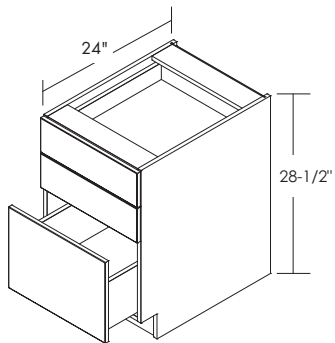
DESK BASE CABINETS

Cabinet Height: 28-1/2". Toe Kick Height: 4".

**THREE DRAWER DESK BASE**

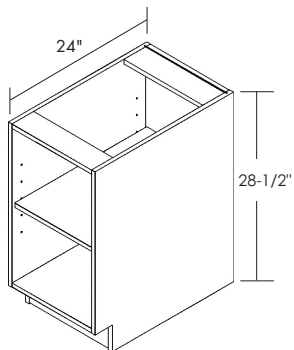
- One standard depth drawer on top and two deep drawers on bottom
- **AD 21" and 22"**

DKDB12-3
DKDB15-3
DKDB18-3
DKDB21-3
DKDB24-3

**FILE DRAWER DESK BASE**

- Two standard height drawers
- Deep drawer on bottom to accommodate files
- Recommend upgrading cabinet with full extension drawer guides
- **AD 21" and 22"**

DKFD18

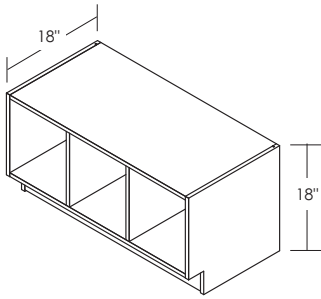
**DESK BASE BOOKSHELF**

- Two 9- 3/4" H openings
- Color matching interior
- Adjustable full depth shelf
- **AD 12", 18", 21" or 22"**

DKBBS18
DKBBS21
DKBBS24
DKBBS27
DKBBS30

FURNITURE BASE CABINETRY

Toe Kick Height: 4".



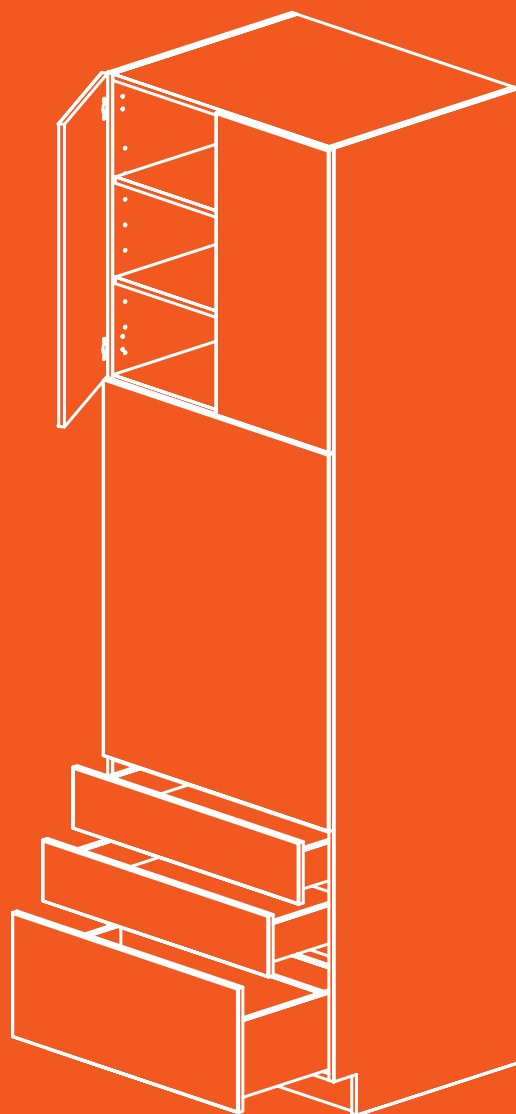
BMRO3618X18-DIV is shown

BASE MUD ROOM OPEN CABINET WITH DIVIDERS

- Comes with matching finished interior
- **Top surface is raw and should be covered by a counter top or other decking material**

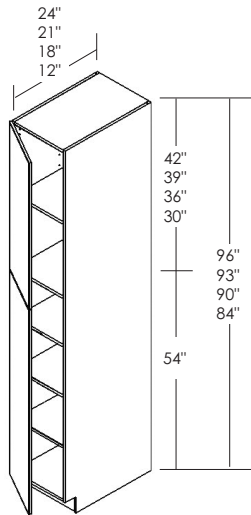
Cabinet	Openings
BMRO1818X18	1
BMRO2418X18-DIV	2
BMRO2718X18-DIV	2
BMRO3018X18-DIV	2
BMRO3318X18-DIV	2
BMRO3618X18-DIV	3
BMRO3918X18-DIV	3
BMRO4218X18-DIV	3
BMRO4518X18-DIV	3
BMRO4818X18-DIV	4

EURO TALLS



TALL CABINETRY

Toe Kick Height: 4".



PANTRY CABINET WITH SINGLE DOORS

- Bottom door has three hinges. Upper door has two hinges, except 96" high cabinets have three hinges on top door
- Specify L or R door hinging
- Comes with three full depth adjustable shelves in lower section and one full depth adjustable shelf in upper section.
- Has one fixed shelf between the doors

12" DEEP CABINETS

P1284X12 L or R
 P1584X12 L or R
 P1884X12 L or R
 P2184X12 L or R

P1290X12 L or R
 P1590X12 L or R
 P1890X12 L or R
 P2190X12 L or R

P1293X12 L or R
 P1593X12 L or R
 P1893X12 L or R
 P2193X12 L or R

P1296X12 L or R
 P1596X12 L or R
 P1896X12 L or R
 P2196X12 L or R

18" DEEP CABINETS

P1284X18 L or R
 P1584X18 L or R
 P1884X18 L or R
 P2184X18 L or R

P1290X18 L or R
 P1590X18 L or R
 P1890X18 L or R
 P2190X18 L or R

P1293X18 L or R
 P1593X18 L or R
 P1893X18 L or R
 P2193X18 L or R

P1296X18 L or R
 P1596X18 L or R
 P1896X18 L or R
 P2196X18 L or R

21" DEEP CABINETS

P1284X21 L or R
 P1584X21 L or R
 P1884X21 L or R
 P2184X21 L or R

P1290X21 L or R
 P1590X21 L or R
 P1890X21 L or R
 P2190X21 L or R

P1293X21 L or R
 P1593X21 L or R
 P1893X21 L or R
 P2193X21 L or R

P1296X21 L or R
 P1596X21 L or R
 P1896X21 L or R
 P2196X21 L or R

24" DEEP CABINETS

P1284X24 L or R
 P1584X24 L or R
 P1884X24 L or R
 P2184X24 L or R

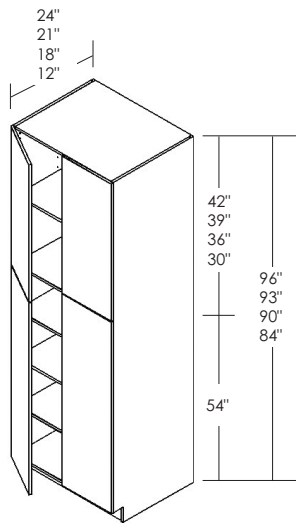
P1290X24 L or R
 P1590X24 L or R
 P1890X24 L or R
 P2190X24 L or R

P1293X24 L or R
 P1593X24 L or R
 P1893X24 L or R
 P2193X24 L or R

P1296X24 L or R
 P1596X24 L or R
 P1896X24 L or R
 P2196X24 L or R

TALL CABINETRY

Toe Kick Height: 4".



PANTRY CABINET WITH DOUBLE DOORS

- Bottom door has three hinges. Upper door has two hinges, except 96" high cabinets have three hinges on top door
- Comes with double doors on top and bottom sections
- Comes with three full depth adjustable shelves in lower section and one full depth adjustable shelf in upper section.
- Has one fixed shelf between the doors

12" DEEP CABINETS

P2484X12
P2784X12
P3084X12
P3384X12
P3684X12

P2490X12
P2790X12
P3090X12
P3390X12
P3690X12

P2493X12
P2793X12
P3093X12
P3393X12
P3693X12

P2496X12
P2796X12
P3096X12
P3396X12
P3696X12

18" DEEP CABINETS

P2484X18
P2784X18
P3084X18
P3384X18
P3684X18

P2490X18
P2790X18
P3090X18
P3390X18
P3690X18

P2493X18
P2793X18
P3093X18
P3393X18
P3693X18

P2496X18
P2796X18
P3096X18
P3396X18
P3696X18

21" DEEP CABINETS

P2484X21
P2784X21
P3084X21
P3384X21
P3684X21

P2490X21
P2790X21
P3090X21
P3390X21
P3690X21

P2493X21
P2793X21
P3093X21
P3393X21
P3693X21

P2496X21
P2796X21
P3096X21
P3396X21
P3696X21

24" DEEP CABINETS

P2484X24
P2784X24
P3084X24
P3384X24
P3684X24

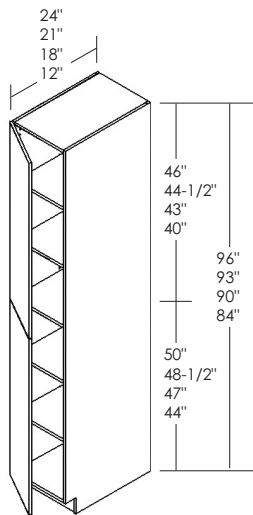
P2490X24
P2790X24
P3090X24
P3390X24
P3690X24

P2493X24
P2793X24
P3093X24
P3393X24
P3693X24

P2496X24
P2796X24
P3096X24
P3396X24
P3696X24

TALL CABINETRY

Toe Kick Height: 4".



UTILITY CABINET WITH SINGLE DOORS

- 84" high has two hinges per door. 90", 93" and 96" high have three hinges per door.
- Specify L or R door hinging
- Comes with three full depth adjustable shelves in lower section and one full depth adjustable shelf in upper section.
- Has one fixed shelf between the doors

12" DEEP CABINETS

UC1284X12 L or R
 UC1584X12 L or R
 UC1884X12 L or R
 UC2184X12 L or R

UC1290X12 L or R
 UC1590X12 L or R
 UC1890X12 L or R
 UC2190X12 L or R

UC1293X12 L or R
 UC1593X12 L or R
 UC1893X12 L or R
 UC2193X12 L or R

UC1296X12 L or R
 UC1596X12 L or R
 UC1896X12 L or R
 UC2196X12 L or R

18" DEEP CABINETS

UC1284X18 L or R
 UC1584X18 L or R
 UC1884X18 L or R
 UC2184X18 L or R

UC1290X18 L or R
 UC1590X18 L or R
 UC1890X18 L or R
 UC2190X18 L or R

UC1293X18 L or R
 UC1593X18 L or R
 UC1893X18 L or R
 UC2193X18 L or R

UC1296X18 L or R
 UC1596X18 L or R
 UC1896X18 L or R
 UC2196X18 L or R

21" DEEP CABINETS

UC1284X21 L or R
 UC1584X21 L or R
 UC1884X21 L or R
 UC2184X21 L or R

UC1290X21 L or R
 UC1590X21 L or R
 UC1890X21 L or R
 UC2190X21 L or R

UC1293X21 L or R
 UC1593X21 L or R
 UC1893X21 L or R
 UC2193X21 L or R

UC1296X21 L or R
 UC1596X21 L or R
 UC1896X21 L or R
 UC2196X21 L or R

24" DEEP CABINETS

UC1284X24 L or R
 UC1584X24 L or R
 UC1884X24 L or R
 UC2184X24 L or R

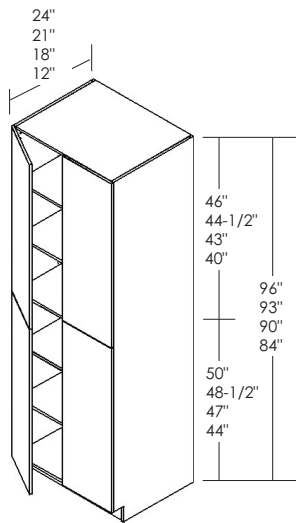
UC1290X24 L or R
 UC1590X24 L or R
 UC1890X24 L or R
 UC2190X24 L or R

UC1293X24 L or R
 UC1593X24 L or R
 UC1893X24 L or R
 UC2193X24 L or R

UC1296X24 L or R
 UC1596X24 L or R
 UC1896X24 L or R
 UC2196X24 L or R

TALL CABINETRY

Toe Kick Height: 4".



UTILITY CABINET WITH DOUBLE DOORS

- 84" high has two hinges per door. 90", 93" and 96" high have three hinges per door.
- Specify L or R door hinging
- Comes with three full depth adjustable shelves in lower section and one full depth adjustable shelf in upper section.
- Has one fixed shelf between the doors

12" DEEP CABINETS

UC2484X12
UC2784X12
UC3084X12
UC3384X12
UC3684X12

UC2490X12
UC2790X12
UC3090X12
UC3390X12
UC3690X12

UC2493X12
UC2793X12
UC3093X12
UC3393X12
UC3693X12

UC2496X12
UC2796X12
UC3096X12
UC3396X12
UC3696X12

18" DEEP CABINETS

UC2484X18
UC2784X18
UC3084X18
UC3384X18
UC3684X18

UC2490X18
UC2790X18
UC3090X18
UC3390X18
UC3690X18

UC2493X18
UC2793X18
UC3093X18
UC3393X18
UC3693X18

UC2496X18
UC2796X18
UC3096X18
UC3396X18
UC3696X18

21" DEEP CABINETS

UC2484X21
UC2784X21
UC3084X21
UC3384X21
UC3684X21

UC2490X21
UC2790X21
UC3090X21
UC3390X21
UC3690X21

UC2493X21
UC2793X21
UC3093X21
UC3393X21
UC3693X21

UC2496X21
UC2796X21
UC3096X21
UC3396X21
UC3696X21

24" DEEP CABINETS

UC2484X24
UC2784X24
UC3084X24
UC3384X24
UC3684X24

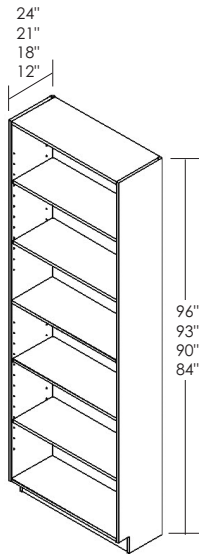
UC2490X24
UC2790X24
UC3090X24
UC3390X24
UC3690X24

UC2493X24
UC2793X24
UC3093X24
UC3393X24
UC3693X24

UC2496X24
UC2796X24
UC3096X24
UC3396X24
UC3696X24

TALL CABINETRY

Toe Kick Height: 4".



TALL BOOKSHELF

- Comes with two adjustable shelves in lower section, one fixed shelf in the middle, and two adjustable shelves in the upper section.
- Comes with matching interior finish.

12" DEEP CABINETS

TBS1284X12
TBS1584X12
TBS1884X12
TBS2184X12
TBS2484X12
TBS2784X12
TBS3084X12
TBS3384X12
TBS3684X12

TBS1290X12
TBS1590X12
TBS1890X12
TBS2190X12
TBS2490X12
TBS2790X12
TBS3090X12
TBS3390X12
TBS3690X12

TBS1293X12
TBS1593X12
TBS1893X12
TBS2193X12
TBS2493X12
TBS2793X12
TBS3093X12
TBS3393X12
TBS3693X12

TBS1296X12
TBS1596X12
TBS1896X12
TBS2196X12
TBS2496X12
TBS2796X12
TBS3096X12
TBS3396X12
TBS3696X12

18" DEEP CABINETS

TBS1284X18
TBS1584X18
TBS1884X18
TBS2184X18
TBS2484X18
TBS2784X18
TBS3084X18
TBS3384X18
TBS3684X18

TBS1290X18
TBS1590X18
TBS1890X18
TBS2190X18
TBS2490X18
TBS2790X18
TBS3090X18
TBS3390X18
TBS3690X18

TBS1293X18
TBS1593X18
TBS1893X18
TBS2193X18
TBS2493X18
TBS2793X18
TBS3093X18
TBS3393X18
TBS3693X18

TBS1296X18
TBS1596X18
TBS1896X18
TBS2196X18
TBS2496X18
TBS2796X18
TBS3096X18
TBS3396X18
TBS3696X18

21" DEEP CABINETS

TBS1284X21
TBS1584X21
TBS1884X21
TBS2184X21
TBS2484X21
TBS2784X21
TBS3084X21
TBS3384X21
TBS3684X21

TBS1290X21
TBS1590X21
TBS1890X21
TBS2190X21
TBS2490X21
TBS2790X21
TBS3090X21
TBS3390X21
TBS3690X21

TBS1293X21
TBS1593X21
TBS1893X21
TBS2193X21
TBS2493X21
TBS2793X21
TBS3093X21
TBS3393X21
TBS3693X21

TBS1296X21
TBS1596X21
TBS1896X21
TBS2196X21
TBS2496X21
TBS2796X21
TBS3096X21
TBS3396X21
TBS3696X21

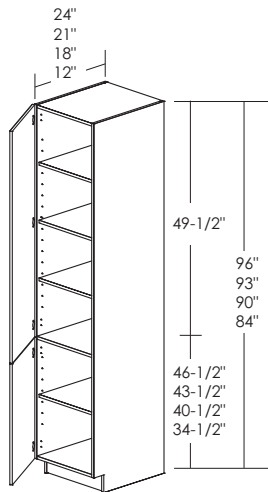
24" DEEP CABINETS

TBS1284X24
TBS1584X24
TBS1884X24
TBS2184X24
TBS2484X24
TBS2784X24
TBS3084X24
TBS3384X24
TBS3684X24

TBS1290X24
TBS1590X24
TBS1890X24
TBS2190X24
TBS2490X24
TBS2790X24
TBS3090X24
TBS3390X24
TBS3690X24

TBS1293X24
TBS1593X24
TBS1893X24
TBS2193X24
TBS2493X24
TBS2793X24
TBS3093X24
TBS3393X24
TBS3693X24

TBS1296X24
TBS1596X24
TBS1896X24
TBS2196X24
TBS2496X24
TBS2796X24
TBS3096X24
TBS3396X24
TBS3696X24



LINEN CABINET WITH SINGLE DOORS

- Three hinges per door on upper door, two hinges per door on bottom door
- Specify L or R door hinging
- Comes with three full depth adjustable shelves in upper section and one full depth adjustable shelf in lower section
- Has one fixed shelf between the doors
- Bottom door on the 84" high linen is same height as a full height kitchen base cabinet
- Bottom door on 84" high linen cabinets will align with 34-1/2" high vanity cabinets

12" DEEP CABINETS

LC1284X12 L or R
 LC1584X12 L or R
 LC1884X12 L or R
 LC2184X12 L or R

LC1290X12 L or R
 LC1590X12 L or R
 LC1890X12 L or R
 LC2190X12 L or R

LC1293X12 L or R
 LC1593X12 L or R
 LC1893X12 L or R
 LC2193X12 L or R

LC1296X12 L or R
 LC1596X12 L or R
 LC1896X12 L or R
 LC2196X12 L or R

18" DEEP CABINETS

LC1284X18 L or R
 LC1584X18 L or R
 LC1884X18 L or R
 LC2184X18 L or R

LC1290X18 L or R
 LC1590X18 L or R
 LC1890X18 L or R
 LC2190X18 L or R

LC1293X18 L or R
 LC1593X18 L or R
 LC1893X18 L or R
 LC2193X18 L or R

LC1296X18 L or R
 LC1596X18 L or R
 LC1896X18 L or R
 LC2196X18 L or R

21" DEEP CABINETS

LC1284X21 L or R
 LC1584X21 L or R
 LC1884X21 L or R
 LC2184X21 L or R

LC1290X21 L or R
 LC1590X21 L or R
 LC1890X21 L or R
 LC2190X21 L or R

LC1293X21 L or R
 LC1593X21 L or R
 LC1893X21 L or R
 LC2193X21 L or R

LC1296X21 L or R
 LC1596X21 L or R
 LC1896X21 L or R
 LC2196X21 L or R

24" DEEP CABINETS

LC1284X24 L or R
 LC1584X24 L or R
 LC1884X24 L or R
 LC2184X24 L or R

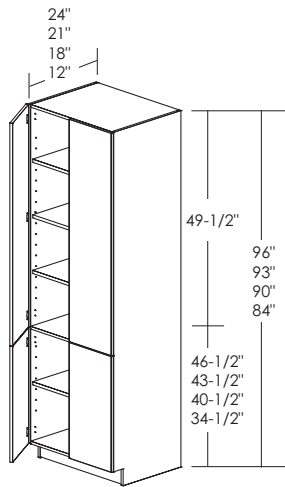
LC1290X24 L or R
 LC1590X24 L or R
 LC1890X24 L or R
 LC2190X24 L or R

LC1293X24 L or R
 LC1593X24 L or R
 LC1893X24 L or R
 LC2193X24 L or R

LC1296X24 L or R
 LC1596X24 L or R
 LC1896X24 L or R
 LC2196X24 L or R

TALL CABINETRY

Toe Kick Height: 4".



LINEN CABINET WITH DOUBLE DOORS

- Three hinges per door on upper doors, two hinges per door on bottom doors
- Comes with three full depth adjustable shelves in upper section and one full depth adjustable shelf in lower section
- Has one fixed shelf between the doors
- Two doors on top and bottom sections
- Bottom doors on the 84" high linen are same height as a full height kitchen base cabinet
- Bottom doors on 84" high linen cabinets will align with 34-1/2" high vanity cabinets

12" DEEP CABINETS

LC2484X12
LC2784X12
LC3084X12
LC3384X12
LC3684X12

LC2490X12
LC2790X12
LC3090X12
LC3390X12
LC3690X12

LC2493X12
LC2793X12
LC3093X12
LC3393X12
LC3693X12

LC2496X12
LC2796X12
LC3096X12
LC3396X12
LC3696X12

18" DEEP CABINETS

LC2484X18
LC2784X18
LC3084X18
LC3384X18
LC3684X18

LC2490X18
LC2790X18
LC3090X18
LC3390X18
LC3690X18

LC2493X18
LC2793X18
LC3093X18
LC3393X18
LC3693X18

LC2496X18
LC2796X18
LC3096X18
LC3396X18
LC3696X18

21" DEEP CABINETS

LC2484X21
LC2784X21
LC3084X21
LC3384X21
LC3684X21

LC2490X21
LC2790X21
LC3090X21
LC3390X21
LC3690X21

LC2493X21
LC2793X21
LC3093X21
LC3393X21
LC3693X21

LC2496X21
LC2796X21
LC3096X21
LC3396X21
LC3696X21

24" DEEP CABINETS

LC2484X24
LC2784X24
LC3084X24
LC3384X24
LC3684X24

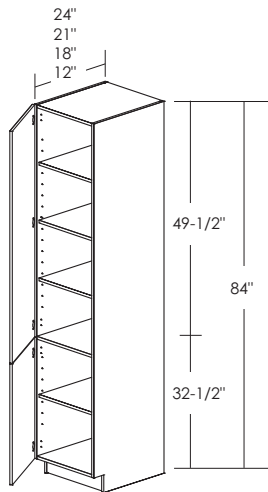
LC2490X24
LC2790X24
LC3090X24
LC3390X24
LC3690X24

LC2493X24
LC2793X24
LC3093X24
LC3393X24
LC3693X24

LC2496X24
LC2796X24
LC3096X24
LC3396X24
LC3696X24

TALL CABINETRY

Toe Kick Height: 4".



UNIVERSAL ACCESS LINEN CABINET WITH SINGLE DOORS

- Three hinges per door on upper door, two hinges per door on bottom door
- Specify L or R door hinging
- Comes with three full depth adjustable shelves in upper section and one full depth adjustable shelf in lower section
- Has one fixed shelf between the doors
- Bottom door is same height as a full height universal access kitchen base cabinet
- Bottom door will align with 32-1/2" high universal access base

12" DEEP CABINETS

HCLC1284X12 L or R
HCLC1584X12 L or R
HCLC1884X12 L or R
HCLC2184X12 L or R

18" DEEP CABINETS

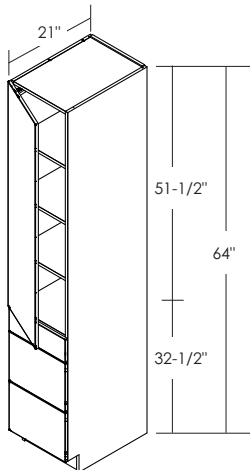
HCLC1284X18 L or R
HCLC1584X18 L or R
HCLC1884X18 L or R
HCLC2184X18 L or R

21" DEEP CABINETS

HCLC1284X21 L or R
HCLC1584X21 L or R
HCLC1884X21 L or R
HCLC2184X21 L or R

24" DEEP CABINETS

HCLC1284X24 L or R
HCLC1584X24 L or R
HCLC1884X24 L or R
HCLC2184X24 L or R

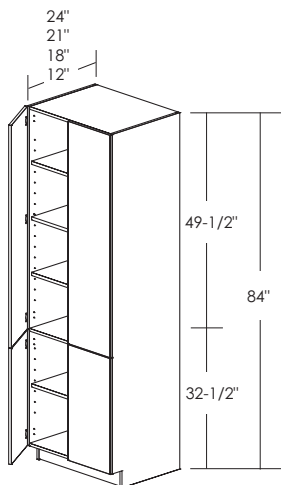


UNIVERSAL ACCESS LINEN CABINET WITH DRAWERS

- Three hinges on upper door
- Specify L or R door hinging
- Comes with three full depth adjustable shelves in upper section
- HCDB-3 at bottom aligns with 32-1/2" high universal access base
- **21" Deep Cabinets**

HCLC3DB1584X21 L or R
HCLC3DB1884X21 L or R

NEW



UNIVERSAL ACCESS LINEN CABINET WITH DOUBLE DOORS

- Three hinges per door on upper doors, two hinges per door on bottom doors
- Comes with three full depth adjustable shelves in upper section and one full depth adjustable shelf in lower section
- Has one fixed shelf between the doors
- Two doors on top and bottom sections
- Bottom doors are same height as a full height universal access kitchen base cabinet
- Bottom doors will align with 32-1/2" high universal access base

12" DEEP CABINETS

HCLC2484X12
HCLC2784X12
HCLC3084X12
HCLC3384X12
HCLC3684X12

18" DEEP CABINETS

HCLC2484X18
HCLC2784X18
HCLC3084X18
HCLC3384X18
HCLC3684X18

21" DEEP CABINETS

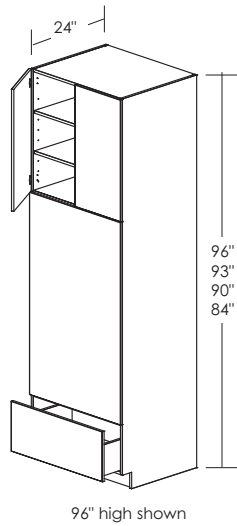
HCLC2484X21
HCLC2784X21
HCLC3084X21
HCLC3384X21
HCLC3684X21

24" DEEP CABINETS

HCLC2484X24
HCLC2784X24
HCLC3084X24
HCLC3384X24
HCLC3684X24

TALL CABINETRY

Toe Kick Height: 4".

**DOUBLE OVEN CABINET WITH SINGLE DRAWER**

- Two hinges per door on upper doors
- One drawer on bottom
- 96" high has two adjustable shelves. 84" and 90" high have one adjustable shelf.
- Fixed center bottom
- Refer to page G10 for cut out instructions

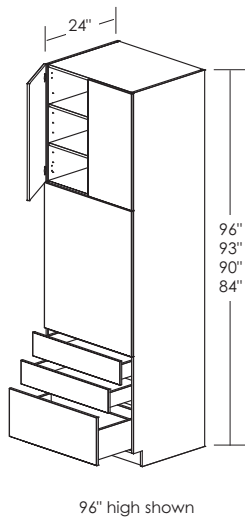
24" DEEP CABINETS

OVD2784X24
OVD3084X24
OVD3384X24

OVD2790X24
OVD3090X24
OVD3390X24

OVD2793X24
OVD3093X24
OVD3393X24

OVD2796X24
OVD3096X24
OVD3396X24

**SINGLE OVEN CABINET WITH THREE DRAWERS**

- Two hinges per door on upper doors
- Three drawers on bottom
- 96" high has two adjustable shelves. 84" and 90" high have one adjustable shelf.
- Fixed center bottom
- Refer to page G10 for cut out instructions

24" DEEP CABINETS

OVS2784X24
OVS3084X24
OVS3384X24

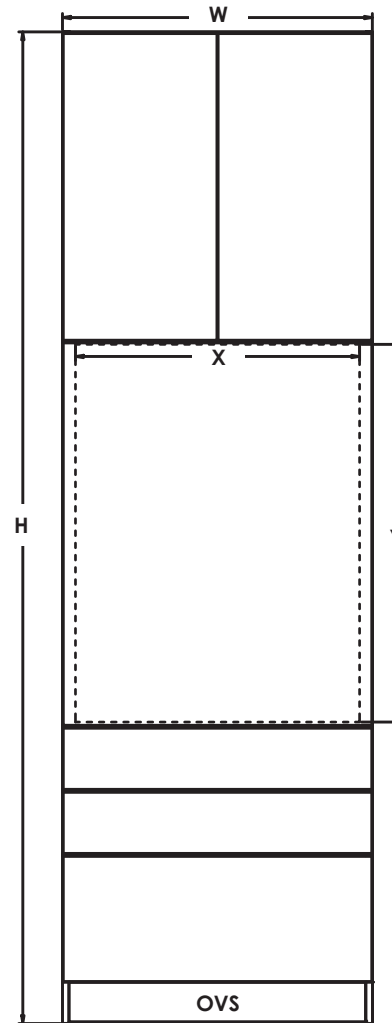
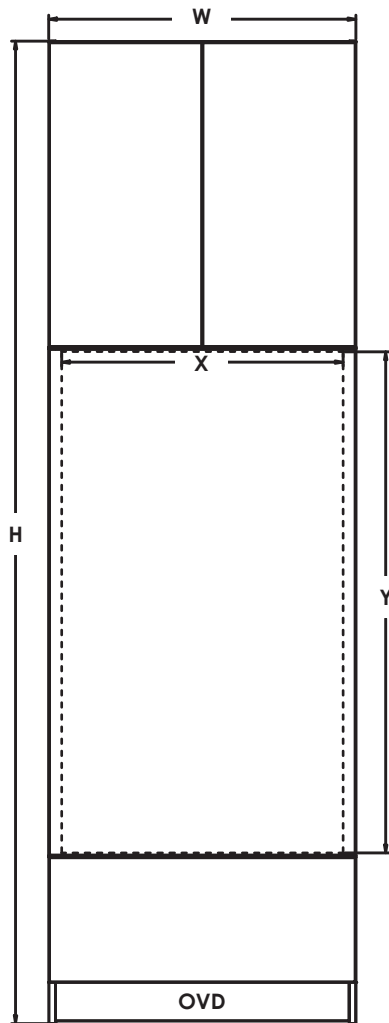
OVS2790X24
OVS3090X24
OVS3390X24

OVS2793X24
OVS3093X24
OVS3393X24

OVS2796X24
OVS3096X24
OVS3396X24

CUT OUT INSTRUCTIONS FOR OVEN CABINETS

Toe Kick Height: 4".



MODEL	W	H	MAXIMUM CUT OUT DIMENSIONS	
			X	Y
OVD2784	27"	84"	24.5"	49.0"
OVD2790	27"	90"	24.5"	49.0"
OVD2796	27"	96"	24.5"	49.0"
OVD3084	30"	84"	27.5"	49.0"
OVD3090	30"	90"	27.5"	49.0"
OVD3096	30"	96"	27.5"	49.0"
OVD3384	33"	84"	30.5"	49.0"
OVD3390	33"	90"	30.5"	49.0"
OVD3396	33"	96"	30.5"	49.0"

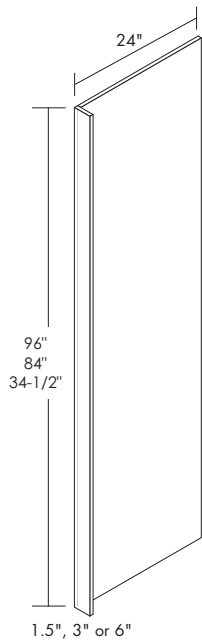
MODEL	W	H	MAXIMUM CUT OUT DIMENSIONS	
			X	Y
OVS2784	27"	84"	24.5"	36.5"
OVS2790	27"	90"	24.5"	36.5"
OVS2796	27"	96"	24.5"	36.5"
OVS3084	30"	84"	27.5"	36.5"
OVS3090	30"	90"	27.5"	36.5"
OVS3096	30"	96"	27.5"	36.5"
OVS3384	33"	84"	30.5"	36.5"
OVS3390	33"	90"	30.5"	36.5"
OVS3396	33"	96"	30.5"	36.5"

EURO ACCESSORIES



EURO ACCESSORIES

NEW



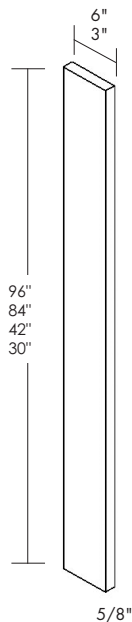
RETURN PANELS

- Filler finished on front face and on two long edges
- End panel finished on both faces with exterior color
- Vertical grain only
- * Melamine fillers are for use with Lucerne and Lugano finishes only
- + Solid accessories are for use with stained and painted door styles only
- For plywood end panels, order with Ply designation
- LPW Fillers are Laminated Plywood Fillers

	5/8" Return w/ 5/8" Laminated Filler	5/8" Return w/ 5/8" Melamine Filler*	5/8" Return w/ 3/4" Solid Filler+	Actual Size
Base 3" Front DW End Panel	BRP3L BRP3LPW-PLY	BRP3M BRP3M-PLY	BRP3S BRP3S-PLY	3"W x 34-1/2"H x 24"D
Base 6" Front DW End Panel	BRP6L BRP6LPW-PLY	BRP6M BRP6M-PLY	BRP6S BRP6S-PLY	6"W x 34-1/2"H x 24"D
84" Tall Base Depth 3" Front	TRP384L TRP384LPW-PLY	TRP384M TRP384M-PLY	TRP384S TRP384S-PLY	3"W x 84"H x 24"D
96" Tall Base Depth 3" Front	TRP396L TRP396LPW-PLY	TRP396M TRP396M-PLY	TRP396S TRP396S-PLY	3"W x 96"H x 24"D
Base 1.5" Front DW End Panel			BRP1.5S BRP1.5S-PLY	1.5"W x 34-1/2"H x 24"D
84" Tall Base Depth 1.5" Front			TRP1.584S TRP1.584S-PLY	1.5"W x 84"H x 24"D
96" Tall Base Depth 1.5" Front			TRP1.596S TRP1.596S-PLY	1.5"W x 96"H x 24"D

FILLERS

- 30" and 42" high fillers are edgebanded on the top and bottom edges
- Vertical grain only
- LPW fillers are laminated plywood fillers
- ▲ Banded fillers are edgebanded on both long edges. 30" and 42" high are edgebanded on all four edges
- * Melamine fillers are for use with Lucerne and Lugano finishes only
- + Solid accessories are for use with stained and painted door styles only



	5/8" Laminated	5/8" Laminated Banded Fillers	5/8" Laminated Plywood	5/8" Laminated Plywood Banded Fillers	5/8" Melamine*	3/4" Solid+	Actual Size
30" High	F330L	F330L-BANDED	F330LPW	F330LPW-BANDED	F330M	F330S	3"W x 30"H
	F630L	F630L-BANDED	F630LPW	F630LPW-BANDED	F630M	F630S	6"W x 30"H
42" High	F342L	F342L-BANDED	F342LPW	F342LPW-BANDED	F342M	F342S	3"W x 42"H
	F642L	F642L-BANDED	F642LPW	F642LPW-BANDED	F642M	F642S	6"W x 42"H
84" High	F384L	F384L-BANDED	F384LPW	F384LPW-BANDED	F384M	F384S	3"W x 84"H
	F684L	F684L-BANDED	F684LPW	F684LPW-BANDED	F684M	F684S	6"W x 84"H
96" High	F396L	F396L-BANDED	F396LPW	F396LPW-BANDED	F396M	F396S	3"W x 96"H
	F696L	F696L-BANDED	F696LPW	F696LPW-BANDED	F696M	F696S	6"W x 96"H
Range Front	F4.530L				F4.530M	F4.530S	4-1/2"W x 30"H
	F430L				F430M	F430S	4"W x 30"H
Base Height	F330.5L	F330.5L-BANDED	F330.5LPW	F330.5LPW-BANDED	F330.5M	F330.5S	3"W x 30-1/2"H
	F630.5L	F630.5L-BANDED	F630.5LPW	F630.5LPW-BANDED	F630.5M	F630.5S	6"W x 30-1/2"H

EURO ACCESSORIES

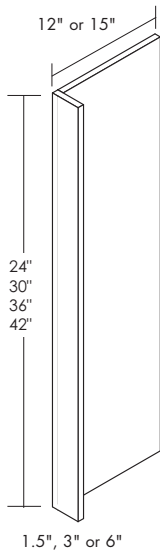


OVERLAY FRONTS

- Overlays are shipped loose for field installation
- Filler or Return Panel must be ordered separately
- Overlays are finished on all sides
- Grain direction matches door grain direction
- OFT's will ship as two pieces when a horizontal grain is required
- Overlay fronts are slab styling and made from door material
- Overlays have an outside profile that matches the selected door style

Item	Size	
	Width	Height
OFT384	2-7/8"	83-13/16"
OFT390	2-7/8"	89-13/16"
OFT393	2-7/8"	92-13/16"
OFT396	2-7/8"	95-13/16"
OFT684	5-7/8"	83-13/16"
OFT690	5-7/8"	89-13/16"
OFT693	5-7/8"	92-13/16"
OFT696	5-7/8"	95-13/16"
OFB334.5	2-7/8"	34-5/16"
OFB332.5	2-7/8"	32-5/16"
OFB331.5	2-7/8"	31-5/16"
OFB330.5	2-7/8"	30-5/16"
OFB328.5	2-7/8"	28-5/16"
OFB327.5	2-7/8"	27-5/16"
OFB324.5	2-7/8"	24-5/16"
OFB634.5	5-7/8"	34-5/16"
OFB632.5	5-7/8"	32-5/16"
OFB631.5	5-7/8"	31-5/16"
OFB630.5	5-7/8"	30-5/16"
OFB628.5	5-7/8"	28-5/16"
OFB627.5	5-7/8"	27-5/16"
OFB624.5	5-7/8"	24-5/16"
OFW312	2-7/8"	11-13/16"
OFW315	2-7/8"	14-13/16"
OFW318	2-7/8"	17-13/16"
OFW321	2-7/8"	20-13/16"
OFW324	2-7/8"	23-13/16"
OFW327	2-7/8"	26-13/16"
OFW330	2-7/8"	29-13/16"
OFW333	2-7/8"	32-13/16"
OFW336	2-7/8"	35-13/16"
OFW339	2-7/8"	38-13/16"
OFW342	2-7/8"	41-13/16"
OFW612	5-7/8"	11-13/16"
OFW615	5-7/8"	14-13/16"
OFW618	5-7/8"	17-13/16"
OFW621	5-7/8"	20-13/16"
OFW624	5-7/8"	23-13/16"
OFW627	5-7/8"	26-13/16"
OFW630	5-7/8"	29-13/16"
OFW633	5-7/8"	32-13/16"
OFW636	5-7/8"	35-13/16"
OFW639	5-7/8"	38-13/16"
OFW642	5-7/8"	41-13/16"
OFR30	4-3/8"	29-13/16"

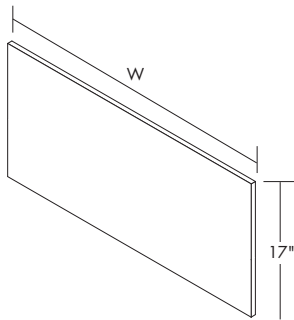
EURO ACCESSORIES



WALL RETURN PANELS

- Fillers finished on front face and on all edges
- End panel finished on both faces, edgebanded on top and bottom edge
- Vertical grain only
- For plywood returns order with PLY designation
- * Melamine items are for use with Lucerne and Lugano finishes only
- † Solid accessories are for use with stained and painted door styles only

5/8" Laminated Filler	5/8" Return with 5/8" Melamine Filler*	5/8" Return with 3/4" Solid Filler	NEW 5/8" Laminated Plywood Filler	NEW 5/8" Plywood Return with 5/8 Melamine Filler	NEW 5/8" Plywood Return with 3/4" Solid Filler	Actual Size
WRP324L-12D	WRP324M-12D	WRP324S-12D	WRP324LPW-12D-PLY	WRP324M-12D-PLY	WRP324S-12D-PLY	3"Wx24"Hx12"D
WRP330L-12D	WRP330M-12D	WRP330S-12D	WRP330LPW-12D-PLY	WRP330M-12D-PLY	WRP330S-12D-PLY	3"Wx30"Hx12"D
WRP336L-12D	WRP336M-12D	WRP336S-12D	WRP336LPW-12D-PLY	WRP336M-12D-PLY	WRP336S-12D-PLY	3"Wx36"Hx12"D
WRP342L-12D	WRP342M-12D	WRP342S-12D	WRP342LPW-12D-PLY	WRP342M-12D-PLY	WRP342S-12D-PLY	3"Wx42"Hx12"D
WRP624L-12D	WRP624M-12D	WRP624S-12D	WRP624LPW-12D-PLY	WRP624M-12D-PLY	WRP624S-12D-PLY	6"Wx24"Hx12"D
WRP630L-12D	WRP630M-12D	WRP630S-12D	WRP630LPW-12D-PLY	WRP630M-12D-PLY	WRP630S-12D-PLY	6"Wx30"Hx12"D
WRP636L-12D	WRP636M-12D	WRP636S-12D	WRP636LPW-12D-PLY	WRP636M-12D-PLY	WRP636S-12D-PLY	6"Wx36"Hx12"D
WRP642L-12D	WRP642M-12D	WRP642S-12D	WRP642LPW-12D-PLY	WRP642M-12D-PLY	WRP642S-12D-PLY	6"Wx42"Hx12"D
WRP324L-15D	WRP324M-15D	WRP324S-15D	WRP324LPW-15D-PLY	WRP324M-15D-PLY	WRP324S-15D-PLY	3"Wx24"Hx15"D
WRP330L-15D	WRP330M-15D	WRP330S-15D	WRP330LPW-15D-PLY	WRP330M-15D-PLY	WRP330S-15D-PLY	3"Wx30"Hx15"D
WRP336L-15D	WRP336M-15D	WRP336S-15D	WRP336LPW-15D-PLY	WRP336M-15D-PLY	WRP336S-15D-PLY	3"Wx36"Hx15"D
WRP342L-15D	WRP342M-15D	WRP342S-15D	WRP342LPW-15D-PLY	WRP342M-15D-PLY	WRP342S-15D-PLY	3"Wx42"Hx15"D
WRP624L-15D	WRP624M-15D	WRP624S-15D	WRP624LPW-15D-PLY	WRP624M-15D-PLY	WRP624S-15D-PLY	6"Wx24"Hx15"D
WRP630L-15D	WRP630M-15D	WRP630S-15D	WRP630LPW-15D-PLY	WRP630M-15D-PLY	WRP630S-15D-PLY	6"Wx30"Hx15"D
WRP636L-15D	WRP636M-15D	WRP636S-15D	WRP636LPW-15D-PLY	WRP636M-15D-PLY	WRP636S-15D-PLY	6"Wx36"Hx15"D
WRP642L-15D	WRP642M-15D	WRP642S-15D	WRP642LPW-15D-PLY	WRP642M-15D-PLY	WRP642S-15D-PLY	6"Wx42"Hx 5"D
		WRP1.524S-12D				1.5"Wx24"Hx12"D
		WRP1.530S-12D				1.5"Wx30"Hx12"D
		WRP1.536S-12D				1.5"Wx36"Hx12"D
		WRP1.542S-12D				1.5"Wx42"Hx12"D
		WRP1.524S-15D				1.5"Wx24"Hx15"D
		WRP1.530S-15D				1.5"Wx30"Hx15"D
		WRP1.536S-15D				1.5"Wx36"Hx15"D
		WRP1.542S-15D				1.5"Wx42"Hx15"D

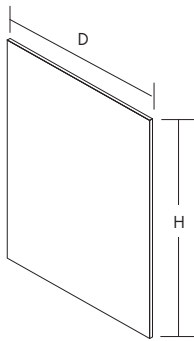


BAFFLES

- Replacement Baffles for UFAS cabinets
- Finished on two faces and all four edges
- Horizontal grain only
- 5/8" thick composite panel or Plywood.
- For plywood order with PLY designation

Composite	Plywood	Width	Height
BAUF30	BAUF30-PLY	29-7/8"	17"
BAUF33	BAUF33-PLY	32-7/8"	17"
BAUF36	BAUF36-PLY	35-7/8"	17"
BAUF39	BAUF39-PLY	38-7/8"	17"
BAUF42	BAUF42-PLY	41-7/8"	17"
BAUF45	BAUF45-PLY	44-7/8"	17"
BAUF48	BAUF48-PLY	47-7/8"	17"

EURO ACCESSORIES

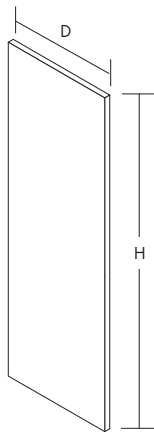


END PANEL BASE

- Finished on two faces and one long edge
- Vertical grain only
- 5/8" thick composite panel or plywood
- For plywood order with PLY designation

NEW

Composite	Plywood	H	D
EPB3	EPB3-PLY	34-1/2"	3"
EPB6	EPB6-PLY	34-1/2"	6"
EPB18	EPB18-PLY	34-1/2"	18"
EPB21	EPB21-PLY	34-1/2"	21"
EPB24	EPB24-PLY	34-1/2"	24"

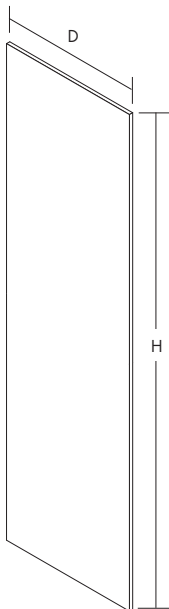


END PANEL WALL

- Finished on two faces, top and bottom edges and one long edge
- Vertical grain only
- 5/8" thick composite panel or plywood
- For plywood order with PLY designation

NEW

Composite	Plywood	H	D
EPW1224	EPW1224-PLY	24"	12"
EPW1230	EPW1230-PLY	30"	12"
EPW1236	EPW1236-PLY	36"	12"
EPW1242	EPW1242-PLY	42"	12"
EPW1524	EPW1524-PLY	24"	15"
EPW1530	EPW1530-PLY	30"	15"
EPW1536	EPW1536-PLY	36"	15"
EPW1542	EPW1542-PLY	42"	15"



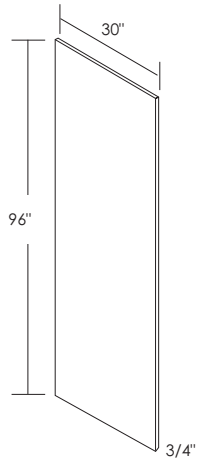
END PANEL TALL

- Finished on two faces and one long edge
- Vertical grain only
- 5/8" thick composite panel or plywood
- For plywood order with PLY designation

NEW

Composite	Plywood	H	D
EPT96	EPT96-PLY	96"	24"
EPT93	EPT93-PLY	93"	24"
EPT90	EPT90-PLY	90"	24"
EPT84	EPT84-PLY	84"	24"
EPT3396	EPT3396-PLY	96"	33"

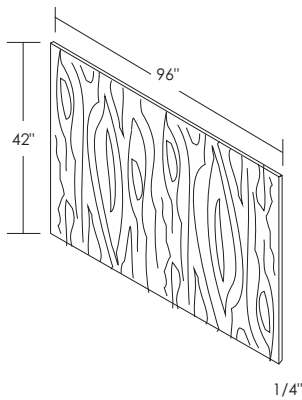
EURO ACCESSORIES



UNIVERSAL REFRIGERATOR END PANEL

- Available in maple veneer
- Trimmable height and depth
- Finished on both sides and edge banded on both long edges
- L-Laminate on 3/4" thick composite panel
- V-Stained veneer on 3/4" thick plywood panel

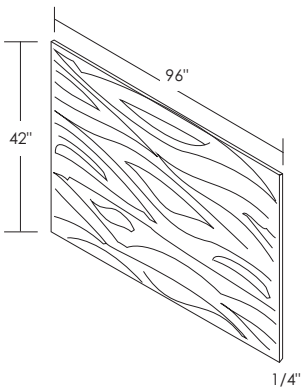
UREP30L
UREP30V-PLY



SHORT GRAIN PLYWOOD PANEL

- Available in maple veneer (short grained)
- 1/4" thick
- Not available with painted finishes

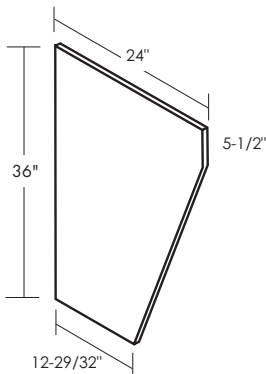
PLYS42x96



LONG GRAIN PLYWOOD PANEL

- Available in maple veneer (long grained)
- 1/4" thick

PLYL42x96



DESK END PANEL

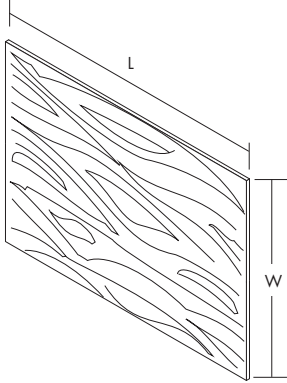
- Laminated finish on two faces
- Edgebanded on front edge
- Vertical grain only
- 5/8" thick composite panel or plywood
- For plywood order with PLY designation

DEP
DEP-PLY **NEW**

EURO ACCESSORIES

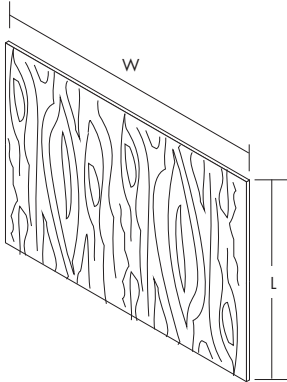
ISLAND BACK PANELS

- Laminated paper finish on both sides and edgebanding on all 4 edges
- Width = Across Grain
- Length = Along Grain
- 5/8" thick composite panel or plywood
- For plywood order with PLY designation



HORIZONTAL GRAIN

Composite Panel	NEW	W	L
	Plywood		
IBP34.5-54	IBP34.5-54-PLY	34-1/2"	54"
IBP34.5-42	IBP34.5-42-PLY	34-1/2"	42"

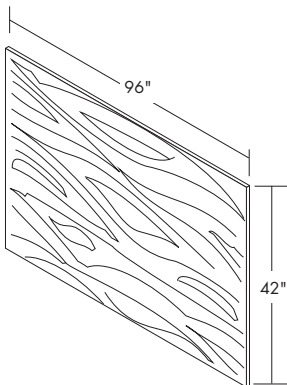


VERTICAL GRAIN

Composite Panel	NEW	W	L
	Plywood		
IBP30-34.5	IBP30-34.5-PLY	30"	34-1/2"
IBP33-34.5	IBP33-34.5-PLY	33"	34-1/2"
IBP36-34.5	IBP36-34.5-PLY	36"	34-1/2"
IBP39-34.5	IBP39-34.5-PLY	39"	34-1/2"
IBP42-34.5	IBP42-34.5-PLY	42"	34-1/2"
IBP45-34.5	IBP45-34.5-PLY	45"	34-1/2"

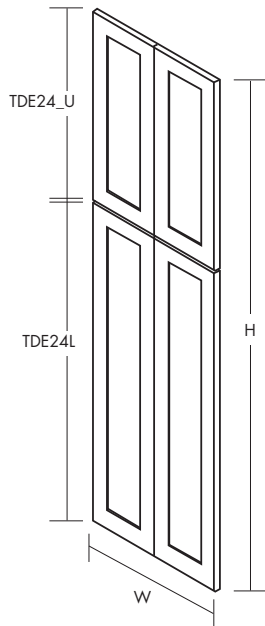
UNIVERSAL BACK PANEL

- 5/8" particle board or plywood with paper laminate on two sides
- No edgebanding
- Only available in horizontal graining
- For plywood order with PLY designation



UBP42X96
UBP42X96-PLY **NEW**

EURO ACCESSORIES



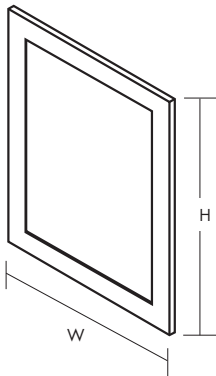
TALL DECORATIVE END PANELS



- **TDE24_U and TDE24L must be ordered together**
- TDE's are decorative doors for the sides of 24" deep pantry cabinets
- Shipped loose for field installation
- TDE24_U has two cabinet doors used for decorative ends on the upper section of tall cabinets
- TDE24L has two cabinet doors used for decorative ends on the lower section of tall cabinets



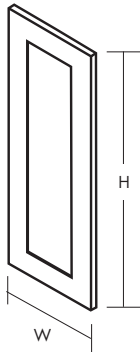
UPPER DOORS	W	H
TDE2496U	302mm	1061.8mm
TDE2493U	302mm	985.6mm
TDE2490U	302mm	909.4mm
TDE2484U	302mm	757mm
LOWER DOOR	W	H
TDE24L	302mm	1268.1mm



BASE DECORATIVE END PANEL

- BDE is a decorative door for the side of base cabinets
- Shipped loose for field installation

	W	H
BDE24	606.8mm	769.8mm
BDE21	530.6mm	769.8mm
HCBD24	606.8mm	719mm
HCBD21	530.6mm	719mm
VDE	530.6mm	693.6mm



WALL DECORATIVE END PANELS

- WDE are decorative doors for the sides of wall cabinets
- Shipped loose for field installation

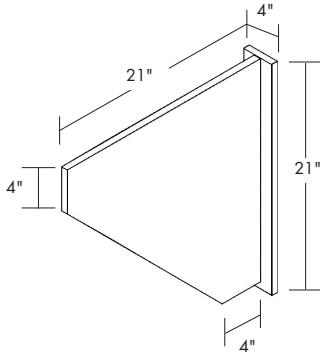
FOR 12" DEEP WALL CABINETS	W	H
WDE42	302mm	1061.8mm
WDE39	302mm	985.6mm
WDE36	302mm	909.4mm
WDE30	302mm	757mm
WDE24	302mm	604.6mm

FOR 12" DEEP STACKED WALL CABINETS	W	H
WDE54	302mm	1366.6mm
WDE51	302mm	1290.4mm
WDE48	302mm	1214.2mm

FOR 15" DEEP WALL CABINETS	W	H
WDE42, AD15	378mm	1061.8mm
WDE39, AD15	378mm	985.6mm
WDE36, AD15	378mm	909.4mm
WDE30, AD15	378mm	757mm
WDE24, AD15	302mm	604.6mm

FOR 15" DEEP STACKED WALL CABINETS	W	H
WDE54, AD21	378mm	1366.6mm
WDE51, AD21	378mm	1290.4mm
WDE48, AD21	378mm	1214.2mm

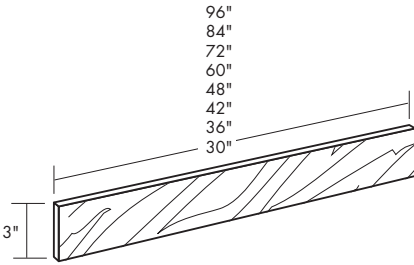
EURO ACCESSORIES



ANGLE WALL SUPPORT

- 5/8" thick laminate composite
- Edge banded on front edge

AWS

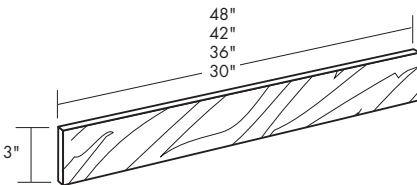


SKIRTS

- Finished on one face and one long edge
- Field trimmable
- 5/8" thick composite panel or plywood
- Horizontal long grain only
- LPW are laminated plywood skirts

		NEW 5/8" Laminated Plywood	NEW Solid	Actual Size
3" Wide Skirts	SKT30L	SKT30LPW-PLY	SKT30S	3"W x 30"L
	SKT36L	SKT36LPW-PLY	SKT36S	3"W x 36"L
	SKT42L	SKT42LPW-PLY	SKT42S	3"W x 42"L
	SKT48L	SKT48LPW-PLY	SKT48S	3"W x 48"L
	SKT60L	SKT60LPW-PLY	SKT60S	3"W x 60"L
	SKT72L	SKT72LPW-PLY	SKT72S	3"W x 72"L
	SKT84L	SKT84LPW-PLY	SKT84S	3"W x 84"L
	SKT96L	SKT96LPW-PLY	SKT96S	3"W x 96"L
6" Wide Skirts	SKT30X6L	SKT30X6LPW-PLY	SKT30X6S	6"W x 30"L
	SKT36X6L	SKT36X6LPW-PLY	SKT36X6S	6"W x 36"L
	SKT42X6L	SKT42X6LPW-PLY	SKT42X6S	6"W x 42"L
	SKT48X6L	SKT48X6LPW-PLY	SKT48X6S	6"W x 48"L
	SKT60X6L	SKT60X6LPW-PLY	SKT60X6S	6"W x 60"L
	SKT72X6L	SKT72X6LPW-PLY	SKT72X6S	6"W x 72"L
	SKT84X6L	SKT84X6LPW-PLY	SKT84X6S	6"W x 84"L
	SKT96X6L	SKT96X6LPW-PLY	SKT96X6S	6"W x 96"L

VALANCE



- Laminated finished on two faces and one long edge
- Solid Finished on 1 face and 2 long edges
- Field trimmable
- Horizontal long grain only

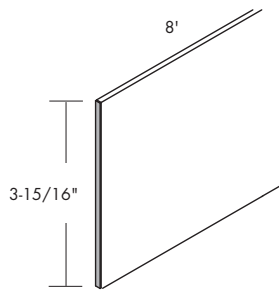
5/8" LAMINATED

- STVAL30X3
- STVAL36X3
- STVAL42X3
- STVAL48X3

3/4" SOLID

- STVAL30X3S
- STVAL36X3S
- STVAL42X3S
- STVAL48X3S
- STVAL96X3S

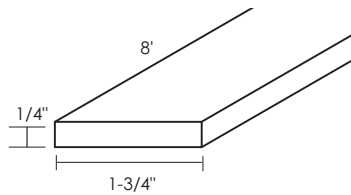
EURO ACCESSORIES



TOE KICK OVERLAY

- Color matching laminate on one side
- 8 ft. length
- 1/8" thick laminated particle board or laminated plywood

TK (3-15/16" x 96")
TKPW (3-15/16" x 96") **NEW**

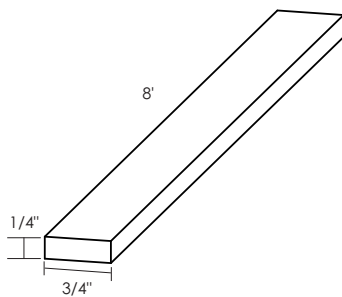


BATTEN SCRIBE MOLDING

- Laminated, painted or stained to match cabinet exterior
- Sold in 8 ft. lengths

BAT175

NEW

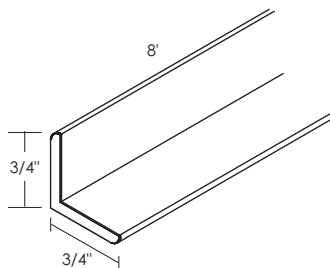


FLAT SCRIBE MOLDING

- Laminated, painted or stained to match cabinet exterior
- Sold in 8 ft. lengths

SCM75

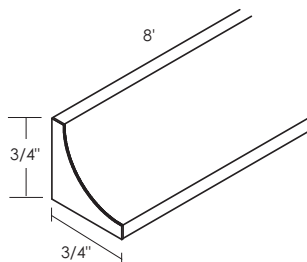
NEW



OUTSIDE MOLDING

- Solid wood painted or stained to match cabinet exterior
- Sold in 8 ft. lengths

LOCM (1" x 1" x 8') – Large

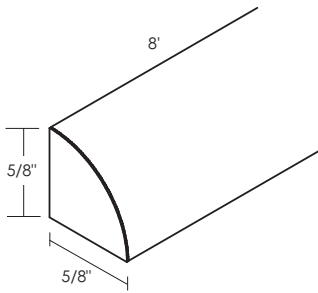


INSIDE MOLDING

- Solid wood painted or stained to match cabinet exterior
- Sold in 8 ft. lengths

ICM

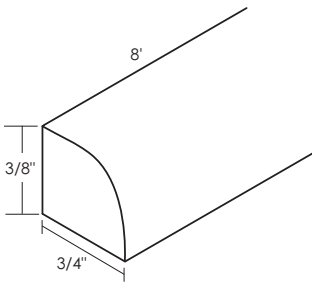
EURO ACCESSORIES



QUARTER ROUND

- Solid wood, painted or stained to match cabinet exterior
- Sold in 8 ft. lengths

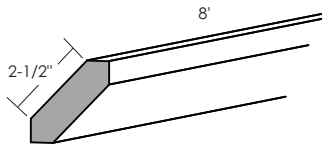
QR8 (5/8" x 5/8" x 8') – Large



SHOE MOLDING

- Laminated, painted or stained to match cabinet exterior
- Sold in 8 ft. lengths

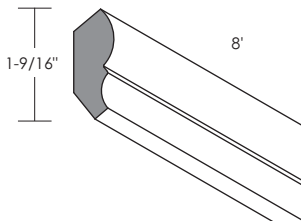
SHOEMS (3/4" x 3/8" x 8')



SHAKER CROWN MOLDING

- Solid wood painted or stained to match cabinet exterior
- Sold in 8 ft. lengths

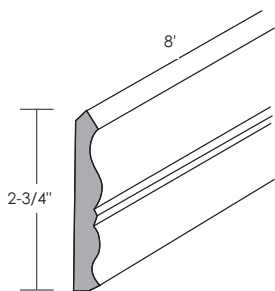
SHAKERM



SMALL CROWN MOLDING

- Solid wood painted or stained to match cabinet exterior
- Sold in 8 ft. lengths

CROWNMS

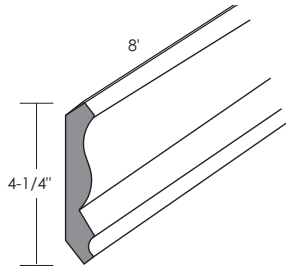


LARGE CROWN MOLDING

- Laminated, painted or stained to match cabinet exterior
- Sold in 8 ft. lengths

CROWNML

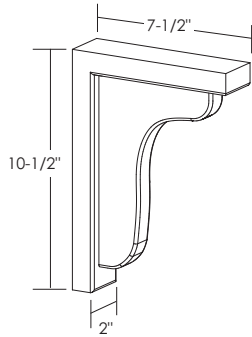
EURO ACCESSORIES



ROYAL CROWN MOLDING

- Solid wood painted or stained to match cabinet exterior
- Sold in 8 ft. lengths

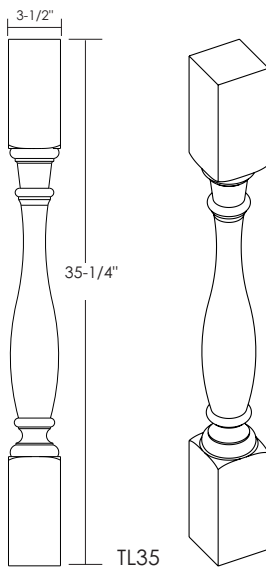
RCM



COUNTER SUPPORT CORBEL

- Solid wood painted or stained to match cabinet exterior

CS

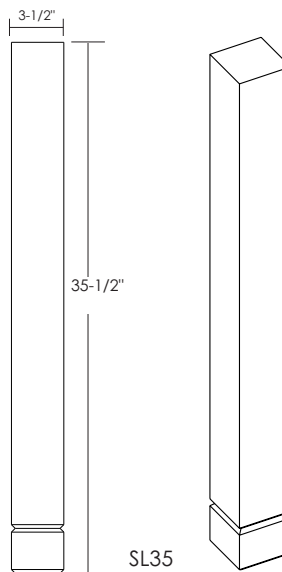


DECORATIVE LEGS

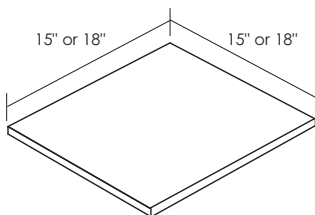
- Solid wood
- Painted or stained

TL35 Turned Leg

SL35 Shaker Leg



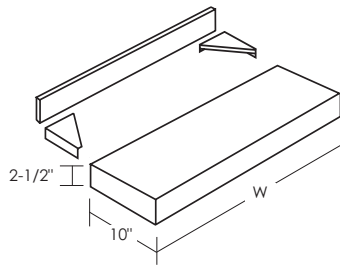
FILLER WALL CAPS



- Finish is available in white
- Set of (2) 5/8" thick panels for use at the top and bottom of wall corners

FWC15
FWC18

EURO ACCESSORIES



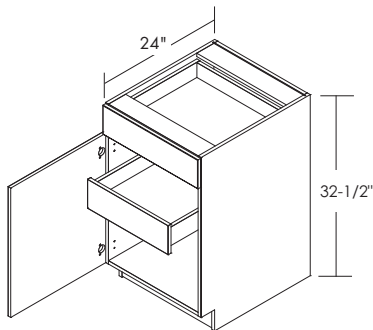
FLOATING SHELVES

- Available in Maple
- All exterior sides are stained or painted
- Outer shelf constructed with solid wood front and sides with veneered top and bottom
- Not trimmable
- Must be secured to studs in wall
- Installation instruction, screws and mounting brackets included
- Shelf supports 15lbs per lineal foot of shelf

Item	W	Maximum Load	# Brackets Included
FS24X10	24"	30lbs	2
FS30X10	30"	37lbs	2
FS36X10	36"	45lbs	3
FS42X10	42"	52lbs	3

ROLL OUT SHELF KIT

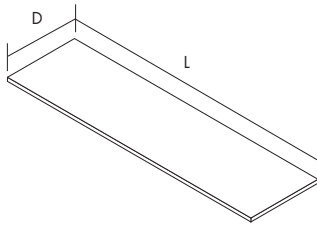
- Cabinet is ordered separately. Kit is installed in the field.
- Available with side mounted guides only



Shelf kit shown as installed above

NEW		
Particle Board Construction	Plywood Construction	For 21", 22" and 24" deep cabinets
ROS12	ROS12-PLY	Fits 12" and 24" cabinets
ROS15	ROS15-PLY	Fits 15" and 30" cabinets
ROS18	ROS18-PLY	Fits 18" and 36" cabinets
ROS21	ROS21-PLY	Fits 21" and 42" cabinets
ROS24	ROS24-PLY	Fits 24" and 48" cabinets
ROS27	ROS27-PLY	Fits 27" cabinets
ROS30	ROS30-PLY	Fits 30" cabinets
ROS33	ROS33-PLY	Fits 33" cabinets

EURO ACCESSORIES



ADJUSTABLE SHELVES

- Finished on two faces and one long edge
- 3/4" thick composite panel or plywood
- Refer to specific item nomenclature to order an interior or exterior finish
- For plywood order with PLY designation

INTERIOR SHELVES

Shelves will be WHITE INTERIOR finish

3/4" thick Composite Panel	L	D	Thickness
SHA3421X12	19-7/16"	10-5/8"	3/4"
SHA3424X12	22-7/16"	10-5/8"	3/4"
SHA3427X12	25-7/16"	10-5/8"	3/4"
SHA3430X12	28-7/16"	10-5/8"	3/4"
SHA3433X12	31-7/16"	10-5/8"	3/4"
SHA3436X12	34-7/16"	10-5/8"	3/4"
SHA3421X24	19-7/16"	22-5/8"	3/4"
SHA3424X24	22-7/16"	22-5/8"	3/4"
SHA3427X24	25-7/16"	22-5/8"	3/4"
SHA3430X24	28-7/16"	22-5/8"	3/4"
SHA3433X24	31-7/16"	22-5/8"	3/4"
SHA3436X24	34-7/16"	22-5/8"	3/4"

NEW

3/4" thick Plywood	L	D	Thickness
SHA3421X12-PLY	19-7/16"	10-5/8"	3/4"
SHA3424X12-PLY	22-7/16"	10-5/8"	3/4"
SHA3427X12-PLY	25-7/16"	10-5/8"	3/4"
SHA3430X12-PLY	28-7/16"	10-5/8"	3/4"
SHA3433X12-PLY	31-7/16"	10-5/8"	3/4"
SHA3436X12-PLY	34-7/16"	10-5/8"	3/4"
SHA3421X24-PLY	19-7/16"	22-5/8"	3/4"
SHA3424X24-PLY	22-7/16"	22-5/8"	3/4"
SHA3427X24-PLY	25-7/16"	22-5/8"	3/4"
SHA3430X24-PLY	28-7/16"	22-5/8"	3/4"
SHA3433X24-PLY	31-7/16"	22-5/8"	3/4"
SHA3436X24-PLY	34-7/16"	22-5/8"	3/4"

EXTERIOR SHELVES

Shelves will be EXTERIOR finish per the global selection

3/4" thick Composite Panel	L	D	Thickness
SHBA3412X12	10-7/16"	10-5/8"	3/4"
SHBA3415X12	13-7/16"	10-5/8"	3/4"
SHBA3418X12	16-7/16"	10-5/8"	3/4"
SHBA3421X12	19-7/16"	10-5/8"	3/4"
SHBA3424X12	22-7/16"	10-5/8"	3/4"
SHBA3427X12	25-7/16"	10-5/8"	3/4"
SHBA3430X12	28-7/16"	10-5/8"	3/4"
SHBA3433X12	31-7/16"	10-5/8"	3/4"
SHBA3436X12	34-7/16"	10-5/8"	3/4"
SHBA3412X18	10-7/16"	16-5/8"	3/4"
SHBA3415X18	13-7/16"	16-5/8"	3/4"
SHBA3418X18	16-7/16"	16-5/8"	3/4"
SHBA3421X18	19-7/16"	16-5/8"	3/4"
SHBA3424X18	22-7/16"	16-5/8"	3/4"
SHBA3427X18	25-7/16"	16-5/8"	3/4"
SHBA3430X18	28-7/16"	16-5/8"	3/4"
SHBA3433X18	31-7/16"	16-5/8"	3/4"
SHBA3436X18	34-7/16"	16-5/8"	3/4"
SHBA3412X21	10-7/16"	19-5/8"	3/4"
SHBA3415X21	13-7/16"	19-5/8"	3/4"
SHBA3418X21	16-7/16"	19-5/8"	3/4"
SHBA3421X21	19-7/16"	19-5/8"	3/4"
SHBA3424X21	22-7/16"	19-5/8"	3/4"
SHBA3427X21	25-7/16"	19-5/8"	3/4"
SHBA3430X21	28-7/16"	19-5/8"	3/4"
SHBA3433X21	31-7/16"	19-5/8"	3/4"
SHBA3436X21	34-7/16"	19-5/8"	3/4"
SHBA3412X24	10-7/16"	22-5/8"	3/4"
SHBA3415X24	13-7/16"	22-5/8"	3/4"
SHBA3418X24	16-7/16"	22-5/8"	3/4"
SHBA3421X24	19-7/16"	22-5/8"	3/4"
SHBA3424X24	22-7/16"	22-5/8"	3/4"
SHBA3427X24	25-7/16"	22-5/8"	3/4"
SHBA3430X24	28-7/16"	22-5/8"	3/4"
SHBA3433X24	31-7/16"	22-5/8"	3/4"
SHBA3436X24	34-7/16"	22-5/8"	3/4"

NEW

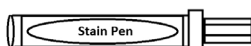
3/4" thick Plywood	L	D	Thickness
SHBA3412X12-PLY	10-7/16"	10-5/8"	3/4"
SHBA3415X12-PLY	13-7/16"	10-5/8"	3/4"
SHBA3418X12-PLY	16-7/16"	10-5/8"	3/4"
SHBA3421X12-PLY	19-7/16"	10-5/8"	3/4"
SHBA3424X12-PLY	22-7/16"	10-5/8"	3/4"
SHBA3427X12-PLY	25-7/16"	10-5/8"	3/4"
SHBA3430X12-PLY	28-7/16"	10-5/8"	3/4"
SHBA3433X12-PLY	31-7/16"	10-5/8"	3/4"
SHBA3436X12-PLY	34-7/16"	10-5/8"	3/4"
SHBA3412X18-PLY	10-7/16"	16-5/8"	3/4"
SHBA3415X18-PLY	13-7/16"	16-5/8"	3/4"
SHBA3418X18-PLY	16-7/16"	16-5/8"	3/4"
SHBA3421X18-PLY	19-7/16"	16-5/8"	3/4"
SHBA3424X18-PLY	22-7/16"	16-5/8"	3/4"
SHBA3427X18-PLY	25-7/16"	16-5/8"	3/4"
SHBA3430X18-PLY	28-7/16"	16-5/8"	3/4"
SHBA3433X18-PLY	31-7/16"	16-5/8"	3/4"
SHBA3436X18-PLY	34-7/16"	16-5/8"	3/4"
SHBA3412X21-PLY	10-7/16"	19-5/8"	3/4"
SHBA3415X21-PLY	13-7/16"	19-5/8"	3/4"
SHBA3418X21-PLY	16-7/16"	19-5/8"	3/4"
SHBA3421X21-PLY	19-7/16"	19-5/8"	3/4"
SHBA3424X21-PLY	22-7/16"	19-5/8"	3/4"
SHBA3427X21-PLY	25-7/16"	19-5/8"	3/4"
SHBA3430X21-PLY	28-7/16"	19-5/8"	3/4"
SHBA3433X21-PLY	31-7/16"	19-5/8"	3/4"
SHBA3436X21-PLY	34-7/16"	19-5/8"	3/4"
SHBA3412X24-PLY	10-7/16"	22-5/8"	3/4"
SHBA3415X24-PLY	13-7/16"	22-5/8"	3/4"
SHBA3418X24-PLY	16-7/16"	22-5/8"	3/4"
SHBA3421X24-PLY	19-7/16"	22-5/8"	3/4"
SHBA3424X24-PLY	22-7/16"	22-5/8"	3/4"
SHBA3427X24-PLY	25-7/16"	22-5/8"	3/4"
SHBA3430X24-PLY	28-7/16"	22-5/8"	3/4"
SHBA3433X24-PLY	31-7/16"	22-5/8"	3/4"
SHBA3436X24-PLY	34-7/16"	22-5/8"	3/4"

EURO ACCESSORIES



PUTTY STICKS

MAPLE	PAINT	RTF	TRU TOUCH	LAMINATE
PS-ASH MAPLE PS-CHESTNUT MAPLE PS-ESPRESSO MAPLE PS-HARVEST NEW PS-JAVA MAPLE PS-NATURAL MAPLE PS-OYSTER MAPLE NEW PS-SABLE NEW	PS-ARBOR GREY NEW PS-GRAPHITE PS-LINEN PS-MID GREY PS-MIDNIGHT NAVY PS-ONYX PS-SAGEBRUSH NEW PS-TRUWHITE	PS-ALABASTER PS-BARITONE PS-CHARCOAL LUX PS-COASTAL GREY PS-DRIFTWOOD PS-GRAPHITE PS-LIBRETTI PS-LINEA BLACK PS-LINEA WHITE PS-NAVY LUX PS-PEBBLE LUX PS-SAGE NEW PS-SANDY ALDER PS-STEEL GREY PS-URBAN WALNUT PS-VINTAGE GREY PS-WHITE SATIN PS-WOOD GRAIN WHITE	PS-CHESTNUT PS-GREY CASHMERE PS-HARMONY PS-OBSIDIAN ASH PS-TIMELESS PS-WHITE TUSK	PS-GLACIER NEW PS-LIGHT TEAK PS-MIDNIGHT ECHO PS-MIDNIGHT TEAK PS-MORNING FOG PS-NATURAL ELM PS-TEXAS CYPRESS PS-WEATHERED OAK



STAIN PENS

MAPLE	PAINT	RTF	TRU TOUCH	LAMINATE
SP-ASH MAPLE SP-CHESTNUT MAPLE SP-ESPRESSO MAPLE SP-HARVEST NEW SP-JAVA MAPLE SP-NATURAL MAPLE SP-OYSTER MAPLE NEW SP-SABLE NEW	SP-ARBOR GREY NEW SP-GRAPHITE SP-LINEN SP-MID GREY SP-MIDNIGHT NAVY SP-ONYX PS-SAGEBRUSH NEW SP-TRUWHITE	SP-ALABASTER SP-BARITONE SP-CHARCOAL LUX SP-COASTAL GREY SP-DRIFTWOOD SP-GRAPHITE SP-LIBRETTI SP-LINEA BLACK SP-LINEA WHITE SP-NAVY LUX SP-PEBBLE LUX PS-SAGE NEW SP-SANDY ALDER SP-STEEL GREY SP-URBAN WALNUT SP-VINTAGE GREY SP-WHITE SATIN SP-WOOD GRAIN WHITE	SP-CHESTNUT SP-GREY CASHMERE SP-HARMONY SP-OBSIDIAN ASH SP-TIMELESS SP-WHITE TUSK	SP-GLACIER NEW SP-LIGHT TEAK SP-MIDNIGHT ECHO SP-MIDNIGHT TEAK SP-MORNING FOG SP-NATURAL ELM SP-TEXAS CYPRESS SP-WEATHERED OAK

INDEX AND WARRANTY

CABINET CARE GUIDE

A soft cotton cloth dampened with warm water is usually sufficient to clean your cabinets. If more thorough cleaning is required, use one of the following cleaning solutions:

- A mixture of dish washing liquid and warm water
- A mild all-purpose cleaner. **Make sure it does not contain ammonia, silicone, or acid.**

Using the mildest cleaning solution will successfully clean your cabinets. Stronger products may damage or discolor your cabinet finish and are not recommended. After cleaning, wipe all surfaces with a clean, damp cloth. Dry immediately, using another soft, clean cloth.

SPILLS

Clean spills immediately. Prolonged exposure to spills, including food, water or other liquids, or grease spills can cause permanent discoloration or damage to your cabinet's finish.

CLEANING PRODUCTS TO AVOID

- Harsh chemicals including ammonia and bleach
- Abrasive cleaning products such as tub and sink cleaners scouring powder, scouring pads, or steel wool
- Sponges or dish clothes. They may contain particles that could scratch your cabinets, or they may contain food and oil residue
- Solvent-based or petroleum-based products such as mineral spirits, nail-polish removers or paint thinners
- Silicone-based cleaning, waxing or polishing products

REGULAR DUSTING

Use a clean, soft, lint-free cotton cloth for regular dusting. Packaged dusting sheets are not required or recommended. **Do not use pre-moistened dusting sheets or aerosol products specified for dusting.**

WAXING AND POLISHING

Waxing is not required or recommended. Over time, waxing and polishing compounds may build up on the surface of your cabinets and cause a hazy, streaky or yellowed appearance.

WARRANTY



Thank you for selecting Leedo Cabinetry. Leedo works hard to provide an excellent product at a very competitive price. We guarantee all Leedo products for a period of One (1) year from the date of the completion of project installation to be free of defects in materials and manufacturing. During this period we agree to replace, at not cost to the owner, any portion of our work that is found defective.

While Leedo guarantees all structural aspects of our products for a period of one year, the following exclusions do apply:

- Due to the naturally occurring variations in wood, we do not guarantee uniformity of color, tone or grain pattern; nor do we guarantee that stain or finish colors will be free of minor inconsistencies caused by natural variations in pigments and materials.
- Hairline cracks or visible joint separations are considered normal changes that can occur with wood products based on environmental conditions.
- Damage caused by normal wear and tear, abuse, neglect, misuse, alterations, water damage, or other environmental conditions such as exposure to extreme temperatures or humidity.
- Damage caused by exposure to excessive heat sources.
- Work done by others, including refinishing or removal of cabinets.
- Thermofoil cabinetry installed without protection from excessive heat sources. Heat shields and/or fillers and overlays should be used to protect cabinetry near appliances that emit heat.
- Touch-ups, door and drawer adjustments, or cosmetic work.
- Color changes that may occur due to natural aging of the wood or due to exposure to either natural or artificial light.
- Discoloration or dullness in the finish or wood stain that may occur after exposure to ultraviolet light.
- Small or hairline cracks on painted product that may become visible at connecting joints. Please refer to painted product disclosure.

Leedo Manufacturing will make the final determination on any warranty-related items. Should a defect in materials or workmanship occur, excluding those noted above, Leedo maintains the right to repair or replace the product at our discretion.

Leedo works hard to provide an excellent product at a very competitive price. We select the best cabinet material suitable for the manufacturing of a finished cabinet that meets our customers needs and KCMA testing. Our machining, assembly, and finishing procedures operate together to provide the highest quality of performance and appearance that our customers require to match the demanding lifestyle of their end users. Our finishing materials and application methods are consistently tested / inspected for quality and consistency using the latest technology.

Wood of all species is hygroscopic, meaning that it is subject to the humidity and temperature of its environment. It will lose or gain moisture and consequently shrink or swell depending on the environment. Even protective coatings cannot prevent this movement; they merely impede the process.

Painted Finishes

When the final product is painted, the solid colored paints and glazes mask the joint on assembled wood components. Due to the naturally occurring variations in wood that are beyond Leedo's control, we do not guarantee that the connecting joints will remain hidden by the paint. The wood components shrink or swell accordingly, sometimes resulting in the joints becoming visible in the form of small hairline cracks where the components are fitted during the assembly process. This is a natural occurrence that can be minimized by maintaining a stable environment. The strength and integrity of the door is not compromised by these hairline cracks. Because this is a natural occurrence, Leedo cannot accept responsibility for the inherent properties of wood and wood products, specifically hairline cracks that occur when environmental changes occur.

Wood Products

All wood products can be impacted by climate changes in humidity and dryness that may cause doors, drawers, or face frames to swell, shrink or warp over a very short period of time. Customers are responsible to store delivered products appropriately. Cabinets should not be stored in areas that are exposed to open air, moist environments, prolonged heat/dryness, chemicals or paint fumes. Leedo is not responsible or liable for products that shrink or swell after customer acceptance by customer.

Wood Panel Patch Disclosure

Leedo works diligently to provide quality materials for all products. Due to challenging supply chains and availability of materials, Leedo may find it necessary to substitute or replace products over time. Visible holes in wooden products is considered a natural variability of wood and not considered a product defect. Plywood panels with oval patches to conceal holes or knots may be used on cabinetry. These patches will not normally be visible once the cabinetry is installed.

Decorative Hardware Application

Customers are responsible for the careful installation of decorative hardware. Caution should be taken when drilling for hardware to avoid areas with visible joints or wood imperfections that may cause the wood or substrate to split.

INDEX

SKU	ITEM	FRAMED PAGE #	EURO PAGE#	SKU	ITEM	FRAMED PAGE #	EURO PAGE#
ACB	Accessible Base Cabinets B13		-	BWR	Base Wine Rack.....	-	F3
ACSB	Accessible Sink Base Cabinets B13		F12	BWSC24	Base Wine Rack.....	-	F3
AWS	Angle Wall Support.....	-	H8	BW_LD	Wall Blind with Long Doors Cabinet		E11
B	Base Cabinets.....	B1	F1	CROWN	Crown Molding	D11	H10
B_BD	Base Butt Door Cabinets.....	B1	-	CS	Counter Support Corbel.....	D4	H11
B_BDFH	Base Full Height Butt Door Cabinets	B2	-	CSB	Combo Sink Base.....	-	F10
B_BDROS	Base Butt Door with Roll Out Shelves Cabinets	B8	-	CVB	Vanity Combo Three Door Sink Base Cabinets	B38	-
B_FH	Base Full Height Door	B2	F2	CVB_BD	Vanity Combo Four Door Sink Base Cabinets	B38	-
B_FHWB	Base Full Height Door Wastebasket Pull Out Cabinets	B4	F4	CVB_BDH	34-1/2" High Vanity Combo Four Door Sink Base Cabinets	B38	-
B_RB	Base Cabinets with Removable Bottoms.....	-	F11	CVB_H	34-1/2" High Vanity Combo Three Door Sink Base Cabinets	B38	-
B_ROS	Base with Roll Out Shelves.....	B7	F7	CVDB	Vanity Combo Single Door with Two Drawers.....	B39	-
B_ROW	Roll Out Work Surface Base....	-	F4	CVDB_BD	Vanity Combo Butt Door Sink with Six Drawers.....	B42	-
B_WB	Base Wastebasket Pull Out Cabinets	B4	-	CVDB_BD	Vanity Combo Butt Door with Two Drawers.....	B39	-
B_WRL	Base Lattice Wine Rack.....	B3	-	CVDB_BDH	Vanity Combo Butt Door with Three Drawers	B39	-
BAT175	Batten Scribe Molding	D10	H9	CVDB_H	Vanity Combo Single Door with Three Drawer Base Cabinets.....	B39	-
BAUF	Baffles.....	-	H3	CVDSDB	Vanity Combo Double Sink Base with Three Center Drawers.....	B42	-
BB	Base Blind Cabinets.....	B6	F5	CVDSDB_H	34-1/2" High Vanity Combo Double Sink Base with Three Center Drawers.....	B42	-
BB_FH	Base Blind Full Height Door Cabinets	B6	F5	CV4DB_BD	Vanity Combo Butt Door Sink with Eight Drawers.....	B42	-
BBS	Base Bookshelf	B3	F2	CVDB_BDH	34-1/2" High Vanity Combo Butt Door Sink with Eight Drawers.....	B42	-
BDE	Base Decorative End Panel ...	D6	H7	CVSB	Vanity Combo Double Door Sink Base Cabinets.....	B38	F29
BER	Base Easy Reach Cabinets	B5	F6	CVSB_H	34-1/2" High Vanity Combo Double Door Sink Base Cabinets	B38	F29
BLS	Base Lazy Susan Cabinets	B5	F6	CVSDB	Vanity Combo Double Door Sink with Three or Four Drawer Base Cabinets	B41	-
BMC	Base Microwave	B9	-	CVSDB_FH	Full Height Vanity Combo Double Door Sink with Three or Four Drawers	B40	F29
BMR	Base Mud Room Cabinets	B48	-	CVSDB_H	Vanity Combo Double Door Sink with Four Drawer Base Cabinets.....	B41	-
BMRO	Base Mud Room Open Cabinets	B48	F36				
BMRO-DIV	Base Mud Room Open Cabinets with Dividers.....	B48	F36				
BOC	Base Oven Cabinet.....	-	F8				
BOD	Base Oven Cabinet with Drawer	-	F8				
BOV	Base Oven Cabinet.....	B9	-				
BRP	Base Return Panels	D2	H1				
BW	Wall Blind Cabinets.....	A9	E6				
BW_RC	Wall Blind with Recessed Bottom Cabinets.....	A15	E9				

INDEX

SKU	ITEM	FRAMED PAGE #	EURO PAGE#	SKU	ITEM	FRAMED PAGE #	EURO PAGE#
CVSDB_BDH	Vanity Combo Butt Door Sink with Four Drawer Base Cabinets..... B40	B40	-	F	Fillers	D4	H1
CVSDB_HFH	34-1/2" High Vanity Full Height Combo Double Door Sink Three Drawer Base Cabinets..... B40	B40	F29	F-BANDED	Banded Fillers	D4	H1
CVS4DB	Combo Vanity Double Sink with Four Drawers	B41	-	FLOOR	Floors	D8	
CVS4DB_FH	Full Height Vanity Combo Double Door Sink with Four Drawer Base Cabinets..... B40	B40	-	FWC	Filler Wall Caps.....	-	H11
CW	Wall Corner Cabinets.....	A8	E5	FS	Floating Shelves	D12	H12
CW_RC	Wall Corner with Recessed Bottom Cabinets.....	A15	-				
DB	Drawer Base Cabinets	B3	F3	HCACB	Universal Access Accessible Base	B31	-
DBPP	Pots and Pans Drawer.....	-	F3	HCACSB	Universal Access Accessible Sink Base	B31	F24
DBR	Drawer Base Range	B9	-	HCB	Universal Access Base Cabinets	B16	F14
DEP	Desk End Panel	D5	H5	HCBD	Universal Access Base Butt Door Cabinets.....	B16	-
DKB	Desk Base Cabinets.....	B45	F33	HCBD_FH	Universal Access Base Full Height Butt Door Cabinets	B17	-
DKB_BD	Desk Butt Door Base Cabinets	B45	-	HCBDROS	Universal Access Butt Door Base with Roll Out Shelves Cabinets	B23	-
DKB_FH	Desk Full Height Door Base Cabinets	B46	F34	HCBD_FH	Universal Access Base Full Height Door Cabinets.....	B17	F15
DKBBS	Desk Base Bookshelf	B47	F35	HCBD_FHWB	Universal Access Base Full Height Door Wastebasket Pull Out Cabinets	B19	F17
DKDB	Desk Drawer Base Cabinets...	B47	F35	HCBD_ROS	Universal Access Base with Roll Out Shelves Cabinets.....	B22	F20
DKFD	Desk File Drawer Base Cabinet.....	B47	F35	HCBD_ROW	Universal Access Base with Roll Out Work Surface Cabinets	-	F17
DS(T)	Drawer Skirts	B15	F13	HCBD_RB	Universal Access Base with Removable Bottom	-	F23
DSB_BD	Sink Base Deep Butt Door Cabinets.....	B11	-	HCBD_WRL	Universal Access Base Lattice Wine Rack	B24	-
DKB_BDFH	Desk Base Full Height Butt Door.....	B46	-	HCBB	Universal Access Base Blind Cabinets	B20	F18
EP	Panels.....	D1	-	HCBB_FH	Universal Access Base Blind Full Height Door Cabinets	B20	F18
EPB	Base Panels	-	H4	HCBBBS	Universal Access Base Bookshelf.....	B18	F15
EPT	End Panel Tall	-	H4	HCBDDE	Universal Access Base Decorative End Panel.....	D6	H7
EPW	End Panel Wide	-	H4	HCBER	Universal Access Base Easy Reach.....	B21	F19
				HCBL	Universal Access Base Lazy Susan Cabinets	B21	F19

INDEX

SKU	ITEM	FRAMED PAGE #	EURO PAGE#	SKU	ITEM	FRAMED PAGE #	EURO PAGE#
HCBMC	Universal Access Base Microwave Cabinets.....	B24	-	HCSB_FHRB	Universal Access Full Height Sink Base with Removable Bottom	-	F23
HCBOC	Universal Access Base Oven Cabinet	-	F19	HCSB_RB	Universal Access Sink Base with Removable Bottom.....	-	F23
HCBOB	Universal Access Base Oven Cabinet with Drawer	-	F19	HCSBC	Universal Access Double Door Sink Base Combination Cabinets	B29	-
HCBOV	Universal Access Base Oven Cabinet.....	B24	-	HCSBC_BD	Universal Access Butt Door Sink Base Combination Cabinets	B29	-
HCBWR	Universal Access Base Cabinet.....	-	F16	HCSDBC	Universal Access Sink Base with Drawers Combination Cabinets	B27	-
HCBWSC24	Universal Access Base Wine Rack	-	F16	HCSDBC	Universal Access Double Sink with Three Center Drawers Combination Cabinets	B29	-
HCCSB	Universal Access Combo Sink Base	-	F22	HCSDBC_BD	Universal Access Butt Door Sink with Two Drawer Base Combination Cabinets	B27	-
HCDB	Universal Access Drawer Base Cabinets	B18	F16	HCSDBC_BD	Universal Access Butt Door Sink with Six Drawers Combination Cabinets	B28	-
HCDBPP	Universal Access Pots and Pans Drawer.....	-	F16	HCSDBC_FH	Universal Access Full Height Double Door Sink with Three Drawer Base Combination Cabinets	B27	F22
HCDSB	Universal Access Deep Sink Base	B26	-	HCS4DBC	Universal Access Combo Double Door Sink with Four Drawer Base	B28	-
HCLC	Universal Access Linen Cabinets	C10	G8	HCS4DBC	Universal Access Double Sink with Four Center Drawers Base Combination Cabinets	B29	-
HCLC3DB	Universal Access Linen Cabinets with Drawers.....	-	G8	HCS4DBC_BD	Universal Access Butt Door Sink with Eight Drawers Base Combination Cabinets	B28	-
HCLC_BD	Universal Access Butt Door Linen Cabinets	C10, C11	-	HCS4DBC_FH	Full Height Universal Access Double Door Sink with Four Drawer Base Combination Cabinets	B28	F22
HCOVD	Universal Access Oven Cabinets for Double Oven.....	C12	-	HCSF_BDT	Universal Access Butt Door Trimmable Sink Front.....	B30	-
HCOVD_RS	Universal Access Double Oven Reduced Stiles Cabinets.....	C12	-	HCSF_T	Universal Access Trimmable Sink Front.....	B30	-
HCOVS_RS	Universal Access Single Oven Reduced Stiles Cabinets.....	C12	-	HCRF	Range Front.....	D12	-
HCOVS	Universal Access Oven Cabinets for Single Oven.....	C12	-	HCTK	Universal Access Toe Kick.....	D9	-
HCLF	Universal Access Linen Fronts..	C15	-	HCTKV	Universal Access Toe Kick Veneer	D9	-
HCLF_BD	Universal Access Linen Fronts with Butt Doors.....	C15	-	HVB_FH	Hanging Vanity Base with Full Height Doors	-	F30
HCP	Universal Access Pantry Cabinets	C8	-	HVBS	Hanging Vanity Book Shelf	-	F30
HCPF	Universal Access Pantry Fronts...C14	-	-	HVDB	Hanging Vanity Two Drawer Base	-	F30
HCPF_BD	Universal Access Pantry Fronts with Butt Doors	C14	-	HVSB_FH	Hanging Vanity Sink Base Full Height Doors	-	F31
HCP_BD	Universal Access Pantry Butt Door Cabinets	C8, C9	-	HVSDB	Hanging Vanity Sink Drawer Base	-	F31
HCRF	Universal Access Range Front ...	D12	-				
HCSB	Universal Access Sink Base Cabinets	B25	F21				
HCSB_BD	Universal Access Butt Door Sink Base Cabinets.....	B26	-				
HCSB_BDFH	Universal Access Sin Base Full Height Butt Door Cabinets.....	B26	-				
HCSB_FH	Universal Access Sink Base Full Height Door Cabinets	B25, B26	F21				

INDEX

SKU	ITEM	FRAMED PAGE #	EURO PAGE#	SKU	ITEM	FRAMED PAGE #	EURO PAGE#
IBP	Inside Back Panel	-	H6	RCM	Royal Crown Molding	D11	H11
ICM	Inside Molding.....	D10	H9	ROS	Roll Out Shelf Kit.....	D8	H12
				RF	Range Front.....	D12	-
LOCM	Large Outside Molding	D10	H9	SB	Sink Base Cabinets	B10	F9
LC	Linen Cabinets	C4	G6, G7	SB_BD	Sink Base Butt Door Cabinets	B11	-
LC_BD	Linen Butt Door Cabinets.....	C4, C5	-	SB_BDFH	Sink Base Full Height Butt Door Cabinets.....	B11	-
LF	Linen Fronts.....	C15	-	SB_FH	Sink Base Full Height Door Cabinets.....	B10, B11	F9
LF_BD	Butt Door Linen Fronts	C15	-	SB_FHRB	Sink Base Full Height Door Cabinets with Removable Bottom	-	F11
LRS	Shaker Light Rail.....	D12	-	SB_RB	Sink Base with Removable Bottom	-	F11
LRT	Traditional Light Rail.....	D12	-	SBC_BD	Sink Base Butt Door Combination Cabinets	B12	-
MCR	Medicine Cabinet	A16	-	SBD	Sink Base Diagonal Cabinets	B12	-
MWC	Wall Microwave Cabinets	A5	E3	SCM	Scribe Molding	D10	H9
MWC_BD	Wall Microwave Butt Door Cabinets.....	A5	-	SF_BDT	Butt Door Trimmable Sink Fronts	B14	-
MWS	Microwave Shelves.....	D8	-	SF_T	Trimmable Sink Fronts	B14	-
OCM	Outside Molding	D10		SHA	Adjustable Shelves Interior Color.....	-	H13
OFB	Overlay Front Base	-	H2	SHAKERM	Shaker Crown Molding	D11	H10
OFR	Overlay Front Range	-	H2	SHBA	Adjustable Shelves Exterior Color.....	-	H13
OFT	Overlay Front Tall	-	H2	SHOEM	Shoe Molding.....	D10	H10
OFW	Overlay Front Wall	-	H2	SK	End Skin.....	D7	-
OVD	Oven Cabinets for..... Double Oven	C6	G9	SKT	Skirts.....	-	H8
OVD_RS	Oven Cabinets for Double Oven Reduced Stiles	C6	-	SL	Shaker Leg.....	D9	H11
OVS	Oven Cabinets for..... Single Oven	C6	G9	SP	Stain Pens.....	D14	H14
OVS_RS	Oven Cabinets for Single Oven Reduced Stiles	C6	-	STVAL	Valance	D7	H8
P	Pantry Cabinets	C1	G1, G2	TBS	Tall Bookshelf	C3	G5
P_BD	Pantry Butt Door Cabinets.....	C1, C2	-	TDE	Tall Decorative End Panels.....	D5	H7
PB	Peninsula Base Cabinets	B8	-	TK	Toe Kick Overlay	D9	H9
PD(T)	Pencil Drawer Skirts.....	B15	F13	TKV	Veneer Toe Kick Overlay	D9	-
PF	Pantry Fronts.....	C14	-	TL	Turned Leg.....	D9	H11
PF_BD	Butt Door Pantry Fronts.....	C14	-	TRP	Tall Return Panels.....	D2	H1
PLYL	Long Grain Plywood Panel.....	D1	H5				
PLYS	Short Grain Plywood Panel.....	D1	H5				
PS	Putty Sticks	D13	H14				
QR	Quarter Round	D11	H10				

INDEX

SKU	ITEM	FRAMED PAGE #	EURO PAGE#	SKU	ITEM	FRAMED PAGE #	EURO PAGE#
UBP	Universal Back Panel.....	-	H6	VS	Vanity Sink Base 16" Deep Cabinet.....	B33	-
UC	Utility Cabinets	-	G3, G4	VS	Vanity Sink Base Cabinets	B33	F25
UFASHCSB	UFAS Universal Access Sink Base and Insert Cabinets	B32	-	VSBD	Vanity Butt Door Sink Base Cabinets	B34	-
UFASHCSB_FH	UFAS Universal Access Full Height and Insert Cabinets	B32	-	VSBDH	Tall Butt Door Vanity Sink Bases.....	B34	-
UFASIOHCSB	UFAS Universal Access Sink Base Insert Only	B32	F24	VSBFH	Full Height Vanity Sink Base Cabinets	-	F25
UFASIOSB	UFAS Sink Base Insert Only	B14	F12	VSBFHRB	Vanity Sink Base Removable Bottom Full Height Door.....	-	F32
UFASIOV	UFAS Vanity Sink Base Insert Only	B44	F32	VSBH	Tall Vanity Sink Bases	B33	F25
UFASSB	UFAS Sink Base and Insert Cabinets	B13	-	VSBFHFH	Double Door Full Height Vanity Sink Base Cabinets	-	F25
UFASSB_FH	UFAS Sink Base Full Height and Insert Cabinets.....	B13	-	VSBTD	Butt Door Trimmable Sink Fronts	B43	-
UFASV	UFAS Vanity Sink Base and Insert Cabinets	B44	-	VSBT	Trimmable Sink Fronts	B43	-
UFASV_FH	UFAS Vanity Full Height Sink Base and Insert	B44	-	W	Wall Cabinets.....	A1, A2	E1, E2
UREP	Universal Refrigerator End Panel.....	D2	H5	WBD	Wall Butt Door Cabinets	A3	-
				WBDRC	Wall Butt Door with Recessed Bottom Cabinets	A12	-
VACSB	Accessible Vanity Sink Base ...	B44	F32	WLD	Wall Long Door Cabinets	-	E10, E11
VB	Vanity Base Cabinets.....	B36	F27	WRC	Wall Recessed Bottom Cabinets	A10, A11	E7, E8
VBBD	Vanity Base Butt Door Cabinets	B36	-	WX24	Wall Refrigerator Cabinets	A4	E3
VBDFH	Vanity Base Full Height Butt Door Cabinets	B35	-	WBDX24	Wall Butt Door Refrigerator Cabinets	A4	-
VBBDH	Tall Vanity Base Butt Door Cabinets	B36	-	WBS	Wall Book Shelf Cabinets.....	A6	E4
VBDFHFH	Tall Vanity Base Full Height Butt Door Cabinets	B35	-	WBSRC	Wall Bookcase Recessed Bottom Cabinets.....	A13, A14	-
VBFH	Vanity Base Full Height Door Cabinets.....	B35	F26	WCP	Wall Cabinet Corner Plug.....	D8	-
VBH	Tall Vanity Base Cabinets	B36	F27	WDE	Wall Decorative End Panels...	D6	H7
VBHFH	Tall Vanity Base Full Height Door Cabinets.....	B35	F26	WER	Wall Easy Reach Cabinets	A8	E5
VDB	Vanity Drawer Base Cabinets	B37	F28	WERLD	Wall Easy Reach with Long Door Cabinets.....	-	E12
VDBH	34-1/2" High Vanity Drawer Base Cabinets.....	B37	F28	WERRC	Wall Easy Reach with Recessed Bottoms Cabinets..	-	E9
VDE	Vanity Base Decorative End Panels.....	D6	H7	WL	Wall Linen Cabinets.....	-	E12
				WLD	Wall Linen Butt Door Cabinets	A16	-
				WRL	Wall Lattice Wine Racks.....	A7	-
				WRP	Wall Return Panels	D3	H3
				WSC	Wine Storage Cabinet	-	E4



www.leedo.com 866.GO LEEDO



©2024 LEEDO CABINETRY

Specifications within this document supersede any previous catalogs. Leedo reserves the right to make specification changes for continued product improvement. All designs and specifications are subject to change without notice as needed due to changes in material availability or manufacturing process changes.

All photography and illustrations in this catalog should be used for inspiration purposes only. The appearance of actual colors or wood grains may vary due to the printed publication process. Customers are urged to view an actual sample for a realistic representation of wood grains and color tones.

Select styles and/or box construction types are KCMA and CARB2 compliant.