

# Leedo CABINETS



PRODUCT SPECIFICATIONS | FALL 2024







# FRAMED CABINERY SPECIFICATIONS

## UPDATES TO FRAMED CABINETS

### CONSTRUCTION UPDATES

Drawer Box: Undermount Soft-close Upgrade:  
Full extension with 100lb rated undermount guide with  
integrated soft-close feature.

### DOOR STYLE ADDITIONS

Maple - Parker . . . . . iv,v  
Paint - Covington. . . . .iv,ix

### DOOR FINISHES: See Style & Finish Guide

### UNIVERSAL ACCESS

Universal Access Deep Sink Base. . . . . B26

### ACCESSORIES

Solid Fillers Finished All Sides . . . . .D4  
1-3/4" Scribe Molding, SCM175, has been  
renamed to Batten Molding BAT175 . . . . .D10  
3/4" Flat Molding, FLATM75, has been  
renamed to Flat Scribe Molding SCM75 . . . . .D10

### DISCONTINUED ITEMS

Stain Quarts. . . . .D14





**FRAMED CABINERY SPECIFICATIONS  
TABLE OF CONTENTS**

**FRAMED CONSTRUCTION AND STYLES . . . ii-xii**

- Framed Construction and Options . . . . . ii-iii
- Door Style Collections . . . . . iv
- Door Overlay Visualization . . . . . v
- Framed Door Style Specifications . . . . . vi-xii

**FRAMED WALLS . . . . . A1-A16**

- Wall Cabinets . . . . . A1-A3
- Refrigerator Cabinets . . . . . A4
- Accessory Wall Cabinets . . . . . A5-A7
- Corner / Blind Wall Cabinets . . . . . A8-A9
- Recessed Bottom Wall Cabinets . . . . . A10-A15
- Bathroom Wall Cabinets . . . . . A16

**FRAMED BASES . . . . . B1-B48**

**STANDARD 34-1/2" High**

- Door and Drawer Base Cabinets . . . . . B1
- Full Height Base Cabinets . . . . . B2
- Drawer Base Cabinets . . . . . B3
- Accessory Base Cabinets . . . . . B3-B4
- Blind / Corner Base Cabinets . . . . . B5-B6
- Base Cabinets with Roll Out Shelves . . . . . B7-B8
- Peninsula Base Cabinets . . . . . B8
- Appliance Base Cabinets . . . . . B9
- Sink Base Cabinets . . . . . B10-B12
- Accessible/UFAS Base Cabinets . . . . . B13-B14
- Sink Fronts . . . . . B14
- Drawer Skirts . . . . . B15

**UNIVERSAL ACCESS 32-1/2" High**

- Door and Drawer Base Cabinets . . . . . B16
- Full Height Base Cabinets . . . . . B17
- Drawer Base Cabinets . . . . . B18
- Accessory Base Cabinets . . . . . B18-B19
- Blind / Corner Base Cabinets . . . . . B20-B21
- Base Cabinets with Roll Out Shelves . . . . . B22-B23
- Appliance Base Cabinets . . . . . B24
- Sink Base Cabinets . . . . . B25-B29
- Sink Fronts . . . . . B30
- Accessible/UFAS Base Cabinets . . . . . B31-B32

**VANITY 31-1/2" and 34-1/2" High**

- Sink Base Cabinets . . . . . B33-B34
- Full Height Sink Base Cabinets . . . . . B35
- Door and Drawer Base Cabinets . . . . . B36
- Drawer Base Cabinets . . . . . B37
- Combo Sink Base Cabinets . . . . . B38-B42
- Vanity Sink Fronts . . . . . B43
- UFAS Vanity Sink Base Cabinets . . . . . B44

**FRAMED BASES cont . . . . . B1-B48**

**DESK 28-1/2" High**

- Door and Drawer Base Cabinets . . . . . B45
- Full Height Base Cabinets . . . . . B46
- Accessory Desk Base Cabinets . . . . . B47

**MUD ROOM 18" High**

- Base Mud Room Cabinets . . . . . B48
- Base Mud Room Open Cabinets  
with Dividers . . . . . B48

**FRAMED TALLS . . . . . C1-C15**

**STANDARD**

- Pantry Cabinets . . . . . C1-C2
- Bookshelves . . . . . C3
- Linen Cabinets . . . . . C4-C5
- Oven Cabinets . . . . . C6-C7

**UNIVERSAL ACCESS**

- Pantry Cabinets . . . . . C8-C9
- Linen Cabinets . . . . . C10-C11
- Oven Cabinets . . . . . C12-C13
- Pantry Fronts . . . . . C14
- Linen Fronts . . . . . C15

**FRAMED ACCESSORIES . . . . . D1-D15**

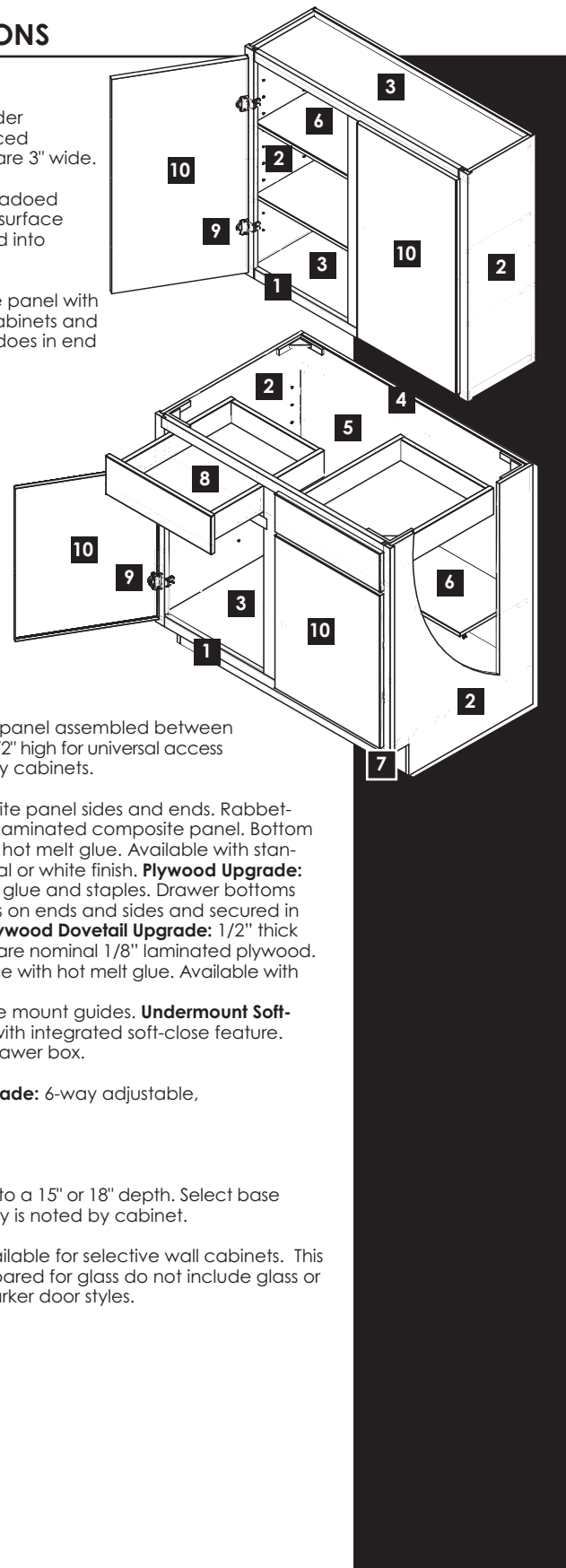
- Panels, Fillers, and Support . . . . . D1-D4
- Decorative End Panels . . . . . D5-D6
- End Skins and Valances . . . . . D7
- Shelves and Floors . . . . . D8
- Toe Kick Overlays and Legs . . . . . D9
- Moldings . . . . . D10-D12
- Floating Shelves . . . . . D12
- Touch-Up Supplies . . . . . D13-D14

**CABINERY CARE GUIDE, WARRANTY  
AND PRODUCT DISCLOSURE . . . . . I1-I3**

**INDEX . . . . . J1-J5**

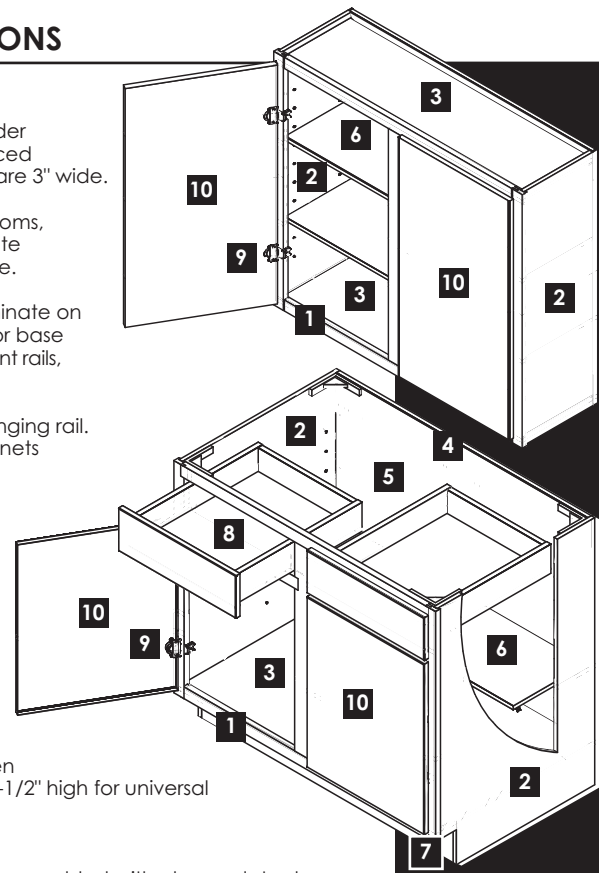
## STANDARD FRAMED CONSTRUCTION AND OPTIONS

- 1 FRONT FRAME** — 3/4" thick kiln dried solid hardwood. Assembled under pressure with mortise and tenon construction. Frame joinery reinforced with mechanical fasteners. Stiles and Rails are 1-1/2" wide. Mullions are 3" wide.
- 2 END PANELS** — **Standard:** 1/2" thick wood based composite panel dadoed to receive tops and bottoms, with natural or white laminate interior surface and matching laminate exterior surfaces. All end panels are inserted into dado in face frame.
- 3 TOP/BOTTOM PANELS** — **Standard:** 1/2" thick wood based composite panel with natural or white laminate on exterior and interior surfaces for wall cabinets and interior surface for base cabinets. Tops and bottoms are set into dadoes in end panels and front rails, reinforced with glue and staples.
- 4 HANG RAILS** — **Standard:** Wall and base cabinets have 1/2" thick wood based composite hanging rail. Assembled between the end panels at the top and bottom of cabinets behind the back panel.
- 5 BACK PANEL** — **Standard:** 1/8" thick hardboard with natural or white interior surface. Securely glued with industrial grade hot melt to end panels and hang rails.
- 6 SHELVES** — Base cabinets come standard with half depth adjustable shelves. Wall cabinets feature full depth adjustable shelves. **Standard:** 3/4" thick wood based composite panel with natural or white laminate on both faces and matching edgeband on front edge.  
**Full depth shelf (FDS) upgrade:** available on select base cabinets.
- 7 TOE KICK** — **Standard:** 1/2" thick unfinished wood based composite panel assembled between end panels. Toe kick is 4-1/2" high for standard base cabinets and 5-1/2" high for universal access base cabinets. **No Toe Kick (NTK) Upgrade:** available on select vanity cabinets.
- 8 DRAWER BOX** — **Standard:** 1/2" thick laminate wood based composite panel sides and ends. Rabbet-jointed, assembled with glue and staples. Drawer bottoms are 1/8" laminated composite panel. Bottom is captured in dadoes on ends and sides and secured in place with hot melt glue. Available with standard or upgraded undermount soft-close guides. Available in natural or white finish. **Plywood Upgrade:** 1/2" thick plywood sides and ends. Rabbet-jointed, assembled with glue and staples. Drawer bottoms are nominal 1/8" laminated plywood. Bottom is captured in dadoes on ends and sides and secured in place with hot melt glue. Available with standard drawer guides. **Plywood Dovetail Upgrade:** 1/2" thick plywood sides and ends with dovetail construction. Drawer bottoms are nominal 1/8" laminated plywood. Bottom is captured in dadoes on ends and sides and secured in place with hot melt glue. Available with standard or upgraded undermount soft-close guides.  
**DRAWER GUIDE OPTIONS** — **Standard:** 100lb rated epoxy coated side mount guides. **Undermount Soft-close Upgrade:** Full extension with 100lb rated undermount guides with integrated soft-close feature. Available for the standard drawer box and the plywood dovetail drawer box.
- 9 HINGE** — **Standard:** 6-way adjustable, concealed steel hinges. **Upgrade:** 6-way adjustable, concealed steel hinges with soft-close feature.
- 10 DOORS** — Please refer to individual door style specifications.  
**ALTERED DEPTH (AD) OPTION** — Most wall cabinets can be increased to a 15" or 18" depth. Select base cabinets can be decreased to a 15", 18" or 21" depth. AD availability is noted by cabinet.  
**ROUTE FOR GLASS DOORS (RFG)** — Route for glass door option is available for selective wall cabinets. This option will automatically come with a matching interior. Doors prepared for glass do not include glass or glass fasteners. RFG is not available for Fulton, London, Lucina or Parker door styles.



## PLYWOOD FRAMED CONSTRUCTION AND OPTIONS

- 1 FRONT FRAME** — 3/4" thick kiln dried solid hardwood. Assembled under pressure with mortise and tenon construction. Frame joinery reinforced with mechanical fasteners. Stiles and Rails are 1-1/2" wide. Mullions are 3" wide.
- 2 END PANELS** — 1/2" thick plywood dadoed to receive tops and bottoms, with natural or white laminate interior surface and matching laminate exterior surfaces. All end panels are inserted into dado in face frame.
- 3 TOP/BOTTOM PANELS** — 1/2" thick plywood with natural or white laminate on exterior and interior surfaces for wall cabinets and interior surface for base cabinets. Tops and bottoms are set into dados in end panels and front rails, reinforced with glue and staples.
- 4 HANG RAILS** — Wall and base cabinets have 1/2" thick plywood hanging rail. Assembled between the end panels at the top and bottom of cabinets behind the back panel.
- 5 BACK PANEL** — 3.6mm thick plywood with natural or white interior surface. Securely glued with industrial grade hot melt to rabbeted end panels and hang rails.
- 6 SHELVES** — Base cabinets come standard with half depth adjustable shelves. Wall cabinets feature full depth adjustable shelves.  
3/4" thick plywood panel with natural or white laminate on both faces and matching edgeband on front edge.  
**Full depth shelf (FDS) upgrade:** available on select base cabinets.
- 7 TOE KICK** — 1/2" thick unfinished plywood panel assembled between end panels. Toe kick is 4-1/2" high for standard base cabinets and 5-1/2" high for universal access base cabinets.  
**No Toe Kick (NTK) Upgrade:** available on select vanity cabinets.
- 8 DRAWER BOX** — 1/2" thick plywood sides and ends. Rabbet-jointed, assembled with glue and staples. Drawer bottoms are nominal 1/8" laminated plywood. Bottom is captured in dados on ends and sides and secured in place with hot melt glue. Available with standard drawer guides. **Plywood Dovetail Upgrade:** 1/2" thick plywood sides and ends with dovetail construction. Drawer bottoms are nominal 1/8" laminated plywood. Bottom is captured in dados on ends and sides and secured in place with hot melt glue. Available with standard or upgraded undermount soft-close guides.  
**DRAWER GUIDE OPTIONS** — **Standard:** 100lb rated epoxy coated side mount guides.  
**Undermount Soft-close Upgrade:** Full extension with 100lb rated undermount guides with integrated soft-close feature. Available for the standard drawer box and the plywood dovetail drawer box.
- 9 HINGE** — **Standard:** 6-way adjustable, concealed steel hinges. **Upgrade:** 6-way adjustable, concealed steel hinges with soft-close feature.
- 10 DOORS** — Please refer to individual door style specifications.



**ALTERED DEPTH (AD) OPTION** — Most wall cabinets can be increased to a 15" or 18" depth. Select base cabinets can be decreased to a 15", 18" or 21" depth. AD availability is noted by cabinet.

**ROUTE FOR GLASS DOORS (RFG)** — Route for glass door option is available for selective wall cabinets. This option will automatically come with a matching interior. Doors prepared for glass do not include glass or glass fasteners. RFG is not available for Fulton, London, Lucina or Parker door styles.



# FRAMED DOOR STYLES BY COLLECTION

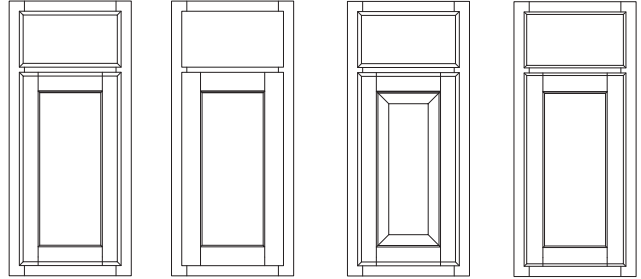
## MAPLE

FULL OVERLAY



Alliance 5PC Ashton Concord Shaker Parker Riverside 5PC

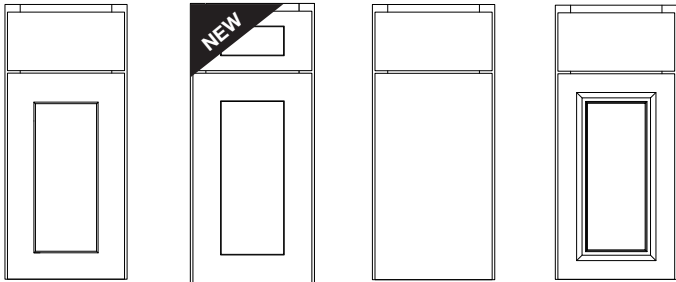
STANDARD REVEAL



Fillmore Hartford Shaker Radisson Rainier

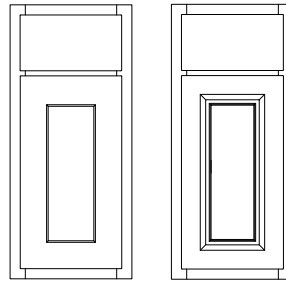
## PAINT

FULL OVERLAY



Channing Covington Perryton Rosser

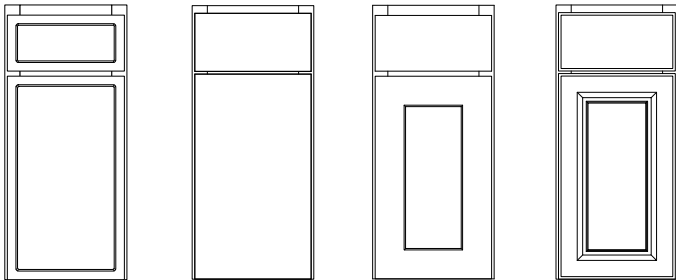
STANDARD REVEAL



Canyon Ridgeland

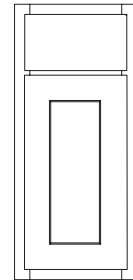
## THERMOFOIL

FULL OVERLAY



Fulton Midway Savoy Vancouver

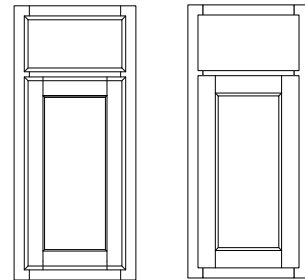
STANDARD REVEAL



Shelby

## OAK

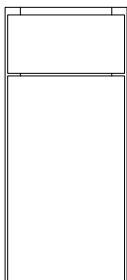
STANDARD REVEAL



Huntington Sheldon

## TRUTOUCH

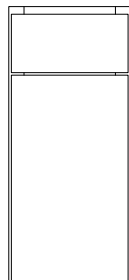
FULL OVERLAY



London

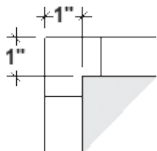
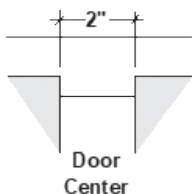
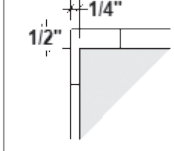

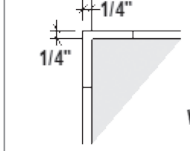
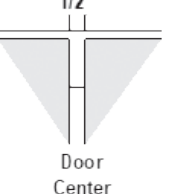

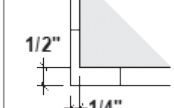
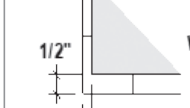
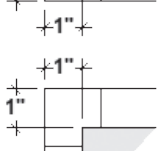

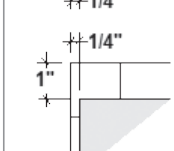

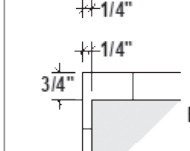

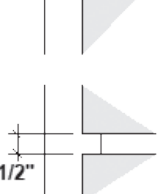
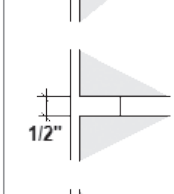
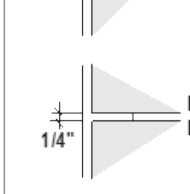
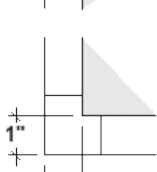
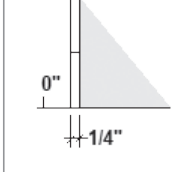
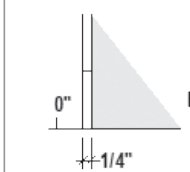
## LAMINATE

FULL OVERLAY



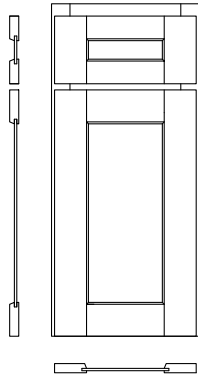
Lucina

# DOOR OVERLAY VISUALIZATION

STANDARD OVERLAY	FULL OVERLAY	EXTENDED FULL OVERLAY
 <p>1" 1" 1"</p> <p>Wall Top</p>  <p>2"</p> <p>Door Center</p>	 <p>1/2" 1/4"</p> <p>Wall Top</p>  <p>1/2"</p> <p>Door Center</p>	 <p>1/4" 1/4"</p> <p>Wall Top</p>  <p>1/2"</p> <p>Door Center</p>
 <p>1" 1" 1"</p> <p>Wall Bottom</p> <p>0"</p>	 <p>1/2" 1/4"</p> <p>Wall Bottom</p> <p>0"</p>	 <p>1/2" 1/4"</p> <p>Wall Bottom</p> <p>0"</p>
 <p>1" 1" 1"</p> <p>Base Top</p>  <p>Butt Door Center</p>	 <p>1/4" 1"</p> <p>Base Top</p>  <p>Butt Door Center</p>	 <p>3/4" 1/4"</p> <p>Base Top</p>  <p>Butt Door Center</p>
 <p>1/2"</p> <p>Door to Drawer/ Drawer to Drawer</p>	 <p>1/2" 1/4"</p> <p>Door to Drawer/ Drawer to Drawer</p>	 <p>1/4" 1/4"</p> <p>Door to Drawer/ Drawer to Drawer</p>
 <p>1" 1" 1"</p> <p>Base Bottom</p>	 <p>0" 1/4"</p> <p>Base Bottom</p>	 <p>0" 1/4"</p> <p>Base Bottom</p>
<p>Canyon</p> <p>Fillmore</p> <p>Hartford Shaker</p> <p>Huntington</p> <p>Radisson</p> <p>Rainier</p> <p>Ridgeland</p> <p>Shelby</p> <p>Sheldon</p>	<p>Alliance 5PC</p> <p>Ashton</p> <p>Concord Shaker</p> <p>Fulton</p> <p>Parker</p> <p>Riverside 5PC</p> <p>Savoy</p>	<p>Channing</p> <p>Covington</p> <p>London</p> <p>Lucina</p> <p>Midway</p> <p>Perryton</p> <p>Rosser</p> <p>Vancouver</p>

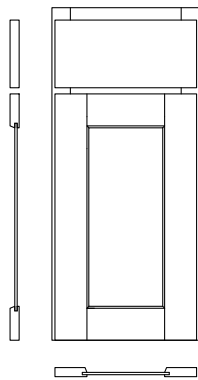
## FRAMED MAPLE DOORS

Please refer to our current **DOOR STYLES & FINISHES GUIDE** for available finishes



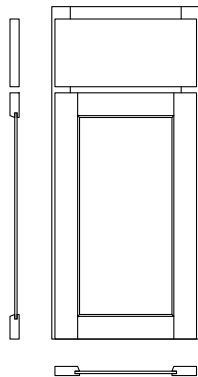
### ALLIANCE 5PC

- Flat panel shaker door style with oversized rails and stiles
- Hardwood door, drawer front, and frame
- Full overlay
- Five-piece drawer front
- Route for glass door option available for wall cabinets.  
Doors prepared for glass do not include glass or glass fasteners.
- Hardware is required



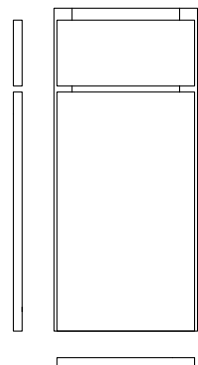
### ASHTON

- Flat panel shaker door style with oversized rails and stiles
- Hardwood door, drawer front, and frame
- Full overlay
- Route for glass door option available for wall cabinets.  
Doors prepared for glass do not include glass or glass fasteners.
- Hardware is required



### CONCORD SHAKER

- Flat panel shaker door style with cope-joined construction
- Hardwood door, drawer front, and frame
- Full overlay
- Route for glass door option available for wall cabinets.  
Doors prepared for glass do not include glass or glass fasteners.
- Hardware is required



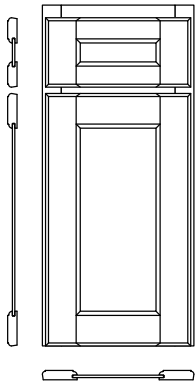
### PARKER

- Hardwood veneer slab door style
- Hardwood door, drawer front, and frame
- Full overlay
- Hardware is required

**NEW**

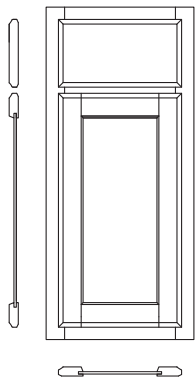


## FRAMED MAPLE DOORS



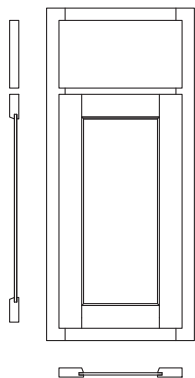
### RIVERSIDE 5PC

- Flat panel door style with cope-joined construction
- Hardwood door, drawer front, and frame
- Full overlay
- Five-piece drawer front
- Back bevel feature
- Route for glass (RTF) door option available for wall cabinets.  
Doors prepared for glass do not include glass or glass fasteners.
- Hardware is required



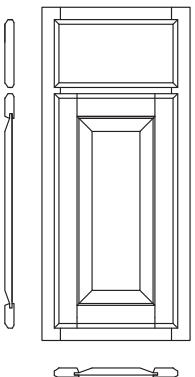
### FILLMORE

- Flat panel door style with cope-joined construction
- Hardwood door and drawer front, and frame
- Standard reveal
- Back bevel feature
- Route for glass door option available for wall cabinets.  
Doors prepared for glass do not include glass or glass fasteners.
- Hardware is suggested



### HARTFORD SHAKER

- Flat panel shaker door style with cope-joined construction
- Hardwood door and drawer front, and frame
- Standard reveal
- Route for glass door option available for wall cabinets.  
Doors prepared for glass do not include glass or glass fasteners.
- Hardware is suggested



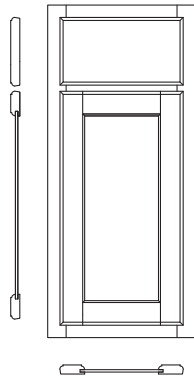
### RADISSON

- Raised panel door style with cope-joined construction
- Hardwood door, drawer front, and frame
- Standard reveal
- Back bevel feature
- Route for glass door option available for wall cabinets.  
Doors prepared for glass do not include glass or glass fasteners.
- Hardware is suggested

Please refer to  
our current  
**Door Styles &  
Finishes Guide**  
for available  
finishes.

## FRAMED MAPLE DOORS

Please refer to our current **DOOR STYLES & FINISHES GUIDE** for available finishes

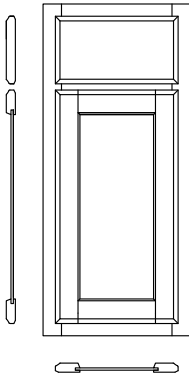


### RAINIER

- Flat panel door style with cope-joined construction
- Hardwood door, drawer front, and frame
- Standard reveal
- Back bevel feature
- Route for glass door option available for wall cabinets.  
Doors prepared for glass do not include glass or glass fasteners.
- Hardware is suggested

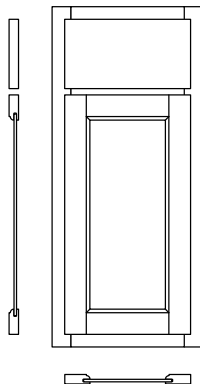
## FRAMED OAK DOORS

Please refer to our current **DOOR STYLES & FINISHES GUIDE** for available finishes



### HUNTINGTON

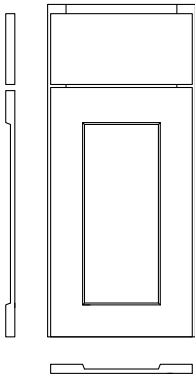
- Flat panel door style with cope-joined construction
- North American red oak door, drawer front, and frame
- Standard reveal
- Back bevel feature
- Route for glass door option available for wall cabinets.  
Doors prepared for glass do not include glass or glass fasteners.
- Hardware is suggested



### SHELDON

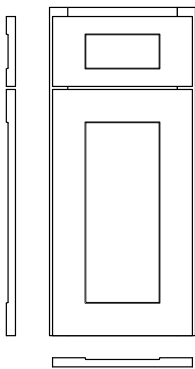
- Flat panel shaker style door style with cope-joined construction
- North American red oak door, drawer front, and frame
- Standard reveal
- Route for glass door option available for wall cabinets.  
Doors prepared for glass do not include glass or glass fasteners.
- Hardware is suggested

## FRAMED PAINTED DOORS



### CHANNING

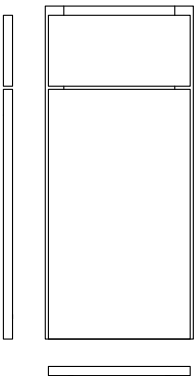
- Shaker door style
- 3/4" thick fiberboard door and drawer front, and solid wood frame
- Durable and easy to clean
- Full overlay
- Color matching back
- Route for glass door option available for wall cabinets.  
Doors prepared for glass do not include glass or glass fasteners.
- Hardware is required



### COVINGTON

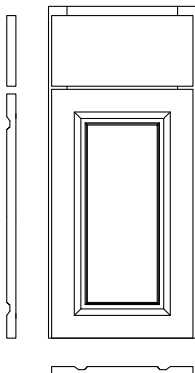
- Shaker door style
- 3/4" thick fiberboard door and drawer front, and solid wood frame
- Durable and easy to clean
- Full overlay
- Color matching back
- Route for glass door option available for wall cabinets.  
Doors prepared for glass do not include glass or glass fasteners.
- Hardware is required

NEW



### PERRYTON

- Slab door style
- 3/4" thick fiberboard door and drawer front, and solid wood frame
- Durable and easy to clean
- Full overlay
- Color matching back
- Route for glass door option available for wall cabinets.  
Doors prepared for glass do not include glass or glass fasteners.
- Hardware is required



### ROSSER

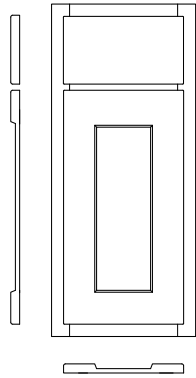
- Raised panel door style
- 3/4" thick fiberboard door and drawer front, and solid wood frame
- Durable and easy to clean
- Full overlay
- Color matching back
- Route for glass door option available for wall cabinets.  
Doors prepared for glass do not include glass or glass fasteners.
- Hardware is required

Please refer  
to our current  
**DOOR STYLES &  
FINISHES GUIDE**  
for available  
finishes



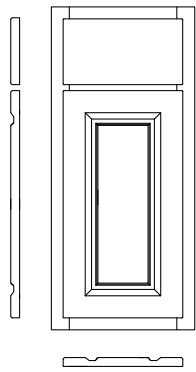
## FRAMED PAINTED DOOR

Please refer to our current **DOOR STYLES & FINISHES GUIDE** for available finishes



### CANYON

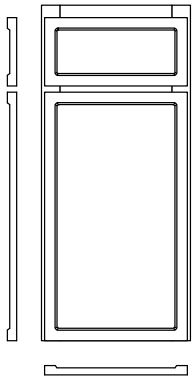
- Shaker door style
- 3/4" thick fiberboard door and drawer front, and solid wood frame
- Durable and easy to clean
- Standard reveal
- Color matching back
- Recommended to use solid wood or veneer wood fillers to best match the cabinet frame color
- Route for glass door option available for wall cabinets.  
Doors prepared for glass do not include glass or glass fasteners.
- Hardware is suggested
- **9" wide cabinets will have slab doors instead of a shaker style**



### RIDGELAND

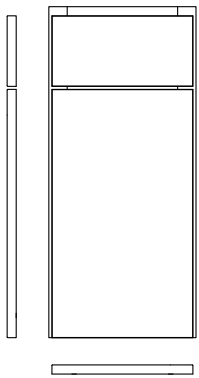
- Raised panel door style
- 3/4" thick fiberboard door and drawer front, and solid wood frame
- Durable and easy to clean
- Standard reveal
- Color matching back
- Recommended to use solid wood or veneer wood fillers to best match the cabinet frame color
- Route for glass door option available for wall cabinets.  
Doors prepared for glass do not include glass or glass fasteners.
- Hardware is suggested

## FRAMED THERMOFOIL DOORS



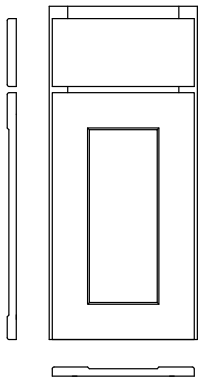
### FULTON

- 3D laminate flat panel thin rail shaker door style
- 13/16" thick melamine-backed doors and drawer fronts
- Solid wood frame finished to match
- Durable and easy to clean
- Full overlay
- Route for glass door option is not available for this door style
- Hardware is required



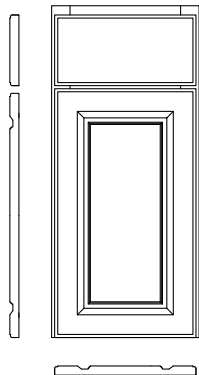
### MIDWAY

- 3D laminate slab door with decreased reveal between door and drawer front
- 5/8" thick melamine-backed doors and drawer fronts
- Solid wood frame finished to match
- Durable and easy to clean
- Full overlay
- Route for glass door option available for wall cabinets.  
Doors prepared for glass do not include glass or glass fasteners.
- Hardware is required



### SAVOY

- 3D laminate flat panel, shaker door style
- 5/8" thick melamine-backed doors and drawer fronts
- Solid wood frame finished to match
- Durable and easy to clean
- Full overlay
- Route for glass door option available for wall cabinets.  
Doors prepared for glass do not include glass or glass fasteners.
- Hardware is required



### VANCOUVER

- 3D laminate raised panel door style with routed edges
- 5/8" thick melamine-backed doors and drawer fronts
- Solid wood frame finished to match
- Durable and easy to clean
- Full overlay
- Route for glass door option available for wall cabinets.  
Doors prepared for glass do not include glass or glass fasteners.
- Hardware is required

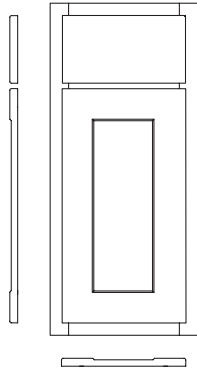
Please refer to our current **DOOR STYLES & FINISHES GUIDE** for available finishes

Thermofoil door styles are only available with white cabinet interior

## FRAMED THERMOFOIL DOORS

Please refer to our current **DOOR STYLES & FINISHES GUIDE** for available finishes

Thermofoil door styles are only available with white cabinet interior



### SHELBY

- 3D laminate flat panel, shaker door style
- 5/8" thick melamine-backed doors and drawer fronts
- **Available in limited finishes**
- Solid wood frame finished to match
- Durable and easy to clean
- Standard reveal
- Route for glass door option available for wall cabinets.  
Doors prepared for glass do not include glass or glass fasteners.
- Hardware is suggested

## FRAMED TRU TOUCH DOOR

Please refer to our current **DOOR STYLES & FINISHES GUIDE** for available finishes



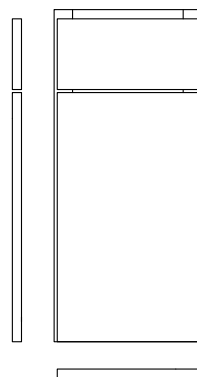
### LONDON

- Thermofused laminate slab door style with TruTouch finish\*
- 5/8" thick door and drawer front
- Solid wood frame finished to match
- 1mm thick edgebanding on four sides
- Vertical grain on door and drawer fronts
- Durable, scratch resistant melamine door resists damage and cleans easily
- Full overlay
- Door back matches door front
- Hardware is required
- RFG not available for this door style

\*Leedo's TruTouch Thermofused Technology replicates both the beauty and feel of natural wood cabinets, producing a visually stunning, realistic high-end product with extraordinary durability.

## FRAMED LAMINATE DOOR

Please refer to our current **DOOR STYLES & FINISHES GUIDE** for available finishes

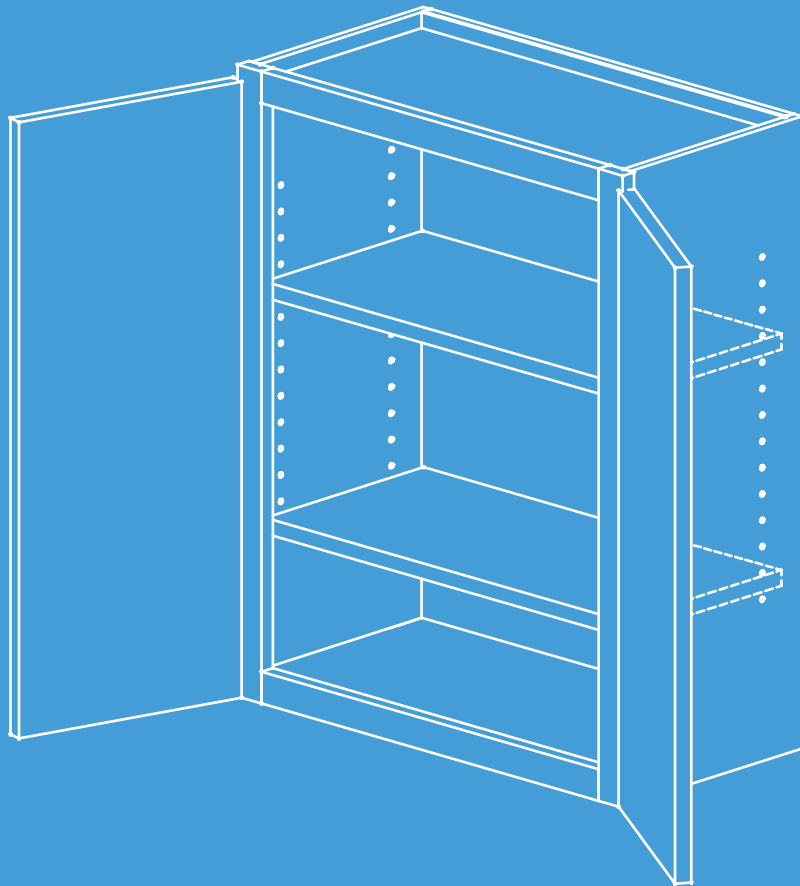


### LUCINA

- Melamine slab door on particleboard
- 5/8" thick door and drawer front
- Solid wood frame finished to match
- Edgebanding on four sides
- Durable and easy to clean
- Full overlay
- Door back matches door front
- Hardware is required
- RFG not available for this door style

# FRAMED WALLS

---

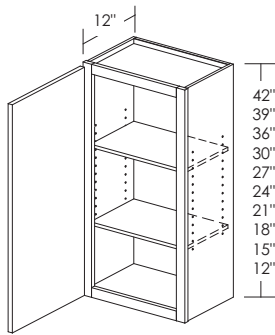






## WALL CABINETY

AD = Altered depth option



## SINGLE DOOR WALL

- Two hinges per door, except 42" high cabinets have three hinges per door
- Specify L or R door hinging
- **AD 15"**
- **Wall fronts available for all sizes, order as WF0942 for example**
- \* **When ordered in Canyon and Shelby, the door will be a slab style**

**42" High (3 shelves)**

\* W0942 L or R  
 W1242 L or R  
 W1542 L or R  
 W1842 L or R  
 W2142 L or R  
 W2442 L or R

**24" High (1 shelf)**

\* W0924 L or R  
 W1224 L or R  
 W1524 L or R  
 W1824 L or R  
 W2124 L or R  
 W2424 L or R

**39" High (2 shelves)**

\* W0939 L or R  
 W1239 L or R  
 W1539 L or R  
 W1839 L or R  
 W2139 L or R  
 W2439 L or R

**21" High (1 shelf)**

\* W0921 L or R  
 W1221 L or R  
 W1521 L or R  
 W1821 L or R  
 W2121 L or R  
 W2421 L or R

**36" High (2 shelves)**

\* W0936 L or R  
 W1236 L or R  
 W1536 L or R  
 W1836 L or R  
 W2136 L or R  
 W2436 L or R

**18" High (No shelf)**

\* W0918 L or R  
 W1218 L or R  
 W1518 L or R  
 W1818 L or R  
 W2118 L or R  
 W2418 L or R

**30" High (2 shelves)**

\* W0930 L or R  
 W1230 L or R  
 W1530 L or R  
 W1830 L or R  
 W2130 L or R  
 W2430 L or R

**15" High (No Shelf)**

\* W0915 L or R  
 W1215 L or R  
 W1515 L or R  
 W1815 L or R  
 W2115 L or R  
 W2415 L or R

**27" High (1 shelf)**

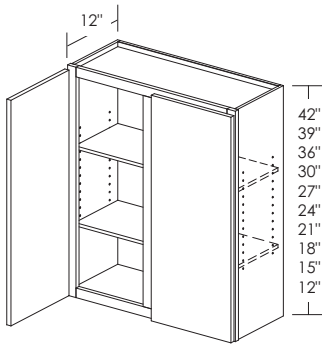
\* W0927 L or R  
 W1227 L or R  
 W1527 L or R  
 W1827 L or R  
 W2127 L or R  
 W2427 L or R

**12" High (No shelf)**

\* W0912 L or R  
 W1212 L or R  
 W1512 L or R  
 W1812 L or R  
 W2112 L or R  
 W2412 L or R

## WALL CABINETRY

AD = Altered depth option



## DOUBLE DOOR WALL

- Two hinges per door, except 42" high cabinets have three hinges per door
- **AD 15"**
- **Wall fronts available for all sizes, order as WF2742 for example**

**42" High (3 shelves)**

W2742  
W3042  
W3342  
W3642  
W3942  
W4242  
W4542  
W4842

**24" High (1 shelf)**

W2724  
W3024  
W3324  
W3624  
W3924  
W4224  
W4524  
W4824

**39" High (2 shelves)**

W2739  
W3039  
W3339  
W3639  
W3939  
W4239  
W4539  
W4839

**21" High (1 shelf)**

W2721  
W3021  
W3321  
W3621  
W3921  
W4221

**36" High (2 shelves)**

W2736  
W3036  
W3336  
W3636  
W3936  
W4236  
W4536  
W4836

**18" High (No shelf)**

W2718  
W3018  
W3318  
W3618  
W3918  
W4218

**30" High (2 shelves)**

W2730  
W3030  
W3330  
W3630  
W3930  
W4230  
W4530  
W4830

**15" High (No shelf)**

W2715  
W3015  
W3315  
W3615  
W3915

**27" High (1 shelf)**

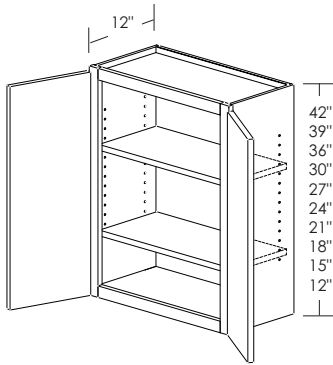
W2727  
W3027  
W3327  
W3627  
W3927  
W4227  
W4527  
W4827

**12" High (No shelf)**

W2712  
W3012  
W3312  
W3612  
W3912

## WALL CABINETS

AD = Altered depth option

**BUTT DOOR WALL**

- Two hinges per door, except 42" high cabinets have three hinges per door
- **AD 15"**
- **Wall fronts available for all sizes, order as WF2442BD for example**

**42" High (3 shelves)**

W2442BD  
W2742BD  
W3042BD  
W3342BD  
W3642BD

**24" High (1 shelf)**

W2424BD  
W2724BD  
W3024BD  
W3324BD  
W3624BD

**39" High (2 shelves)**

W2439BD  
W2739BD  
W3039BD  
W3339BD  
W3639BD

**21" High (1 shelf)**

W2421BD  
W2721BD  
W3021BD  
W3321BD  
W3621BD

**36" High (2 shelves)**

W2436BD  
W2736BD  
W3036BD  
W3336BD  
W3636BD

**18" High (No shelf)**

W2418BD  
W2718BD  
W3018BD  
W3318BD  
W3618BD

**30" High (2 shelves)**

W2430BD  
W2730BD  
W3030BD  
W3330BD  
W3630BD

**15" High (No shelf)**

W2415BD  
W2715BD  
W3015BD  
W3315BD  
W3615BD

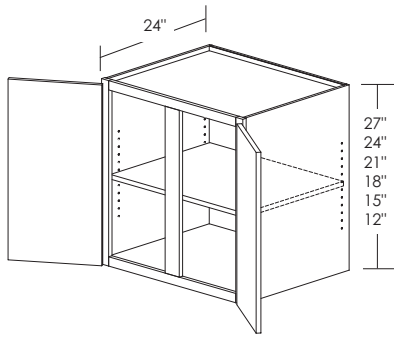
**27" High (1 shelf)**

W2427BD  
W2727BD  
W3027BD  
W3327BD  
W3627BD

**12" High (No shelf)**

W2412BD  
W2712BD  
W3012BD  
W3312BD  
W3612BD

## WALL CABINERY



### 24" DEEP DOUBLE DOOR REFRIGERATOR WALL

- Two hinges per door
- Must be installed between tall cabinetry and/or walls of equal or greater depth for proper support. These should never be hung on a wall by themselves.

#### 27" High (1 shelf)

W2727X24  
W3027X24  
W3327X24  
W3627X24  
W3927X24

#### 18" High (No shelf)

W2718X24  
W3018X24  
W3318X24  
W3618X24  
W3918X24

#### 24" High (1 shelf)

W2724X24  
W3024X24  
W3324X24  
W3624X24  
W3924X24

#### 15" High (No shelf)

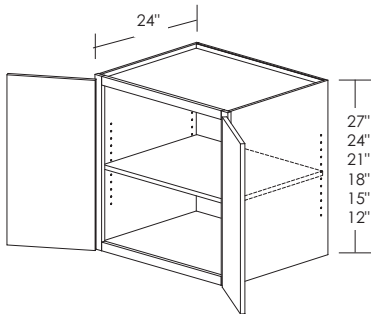
W2715X24  
W3015X24  
W3315X24  
W3615X24  
W3915X24

#### 21" High (1 shelf)

W2721X24  
W3021X24  
W3321X24  
W3621X24  
W3921X24

#### 12" High (No shelf)

W2712X24  
W3012X24  
W3312X24  
W3612X24  
W3912X24



### 24" DEEP BUTT DOOR REFRIGERATOR WALL

- Two hinges per door
- Must be installed between tall cabinetry and/or walls of equal or greater depth for proper support. These should never be hung on a wall by themselves.

#### 27" High (1 shelf)

W2727BDX24  
W3027BDX24  
W3327BDX24  
W3627BDX24

#### 18" High (No shelf)

W2718BDX24  
W3018BDX24  
W3318BDX24  
W3618BDX24

#### 24" High (1 shelf)

W2724BDX24  
W3024BDX24  
W3324BDX24  
W3624BDX24

#### 15" High (No shelf)

W2715BDX24  
W3015BDX24  
W3315BDX24  
W3615BDX24

#### 21" High (1 shelf)

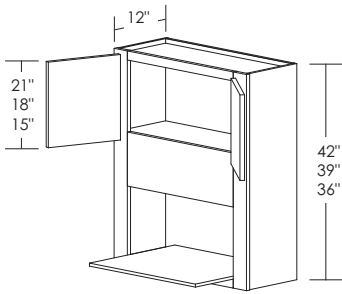
W2721BDX24  
W3021BDX24  
W3321BDX24  
W3621BDX24

#### 12" High (No shelf)

W2712BDX24  
W3012BDX24  
W3312BDX24  
W3612BDX24

WALL CABINETY

AD = Altered depth option



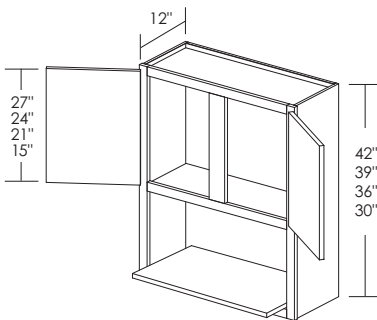
NOTE: Drawing is shown with 18" deep microwave shelf ordered separately.

TRIMMABLE MICROWAVE WALL CABINETS WITH BUTT DOORS

- Two hinges per door
- Designed to be trimmable to accommodate built in microwave
- Maximum cutout dimensions is 19-1/2"H x 28"W
- Color matching interior
- **Microwave shelf (MWS3018) must be ordered separately for use with 12" deep cabinet and shelf can be modified in the field to fit**
- **Refer to appliance manufacturer specifications for proper clearance and ventilation requirements**
- **Vertical stiles in microwave opening are each 3" wide. Trimmable panel is 9" tall**
- **AD 18" and 21"**

MWC3042BD  
MWC3039BD  
MWC3036BD

CABINET	OPENING SIZE
MWC30__BD	12"H x 24"W



NOTE: Drawing is shown with 18" deep microwave shelf ordered separately.

MICROWAVE WALL CABINETS WITH DOUBLE DOORS

- Two hinges per door
- Color matching interior
- **Microwave shelf (MWS) must be ordered separately for use with 12" deep cabinet**
- **Refer to appliance manufacturer specifications for proper clearance and ventilation requirements**
- **Shelf sizes: MWS2718, MWS3018, MWS3318**
- **AD 18" and 21"**

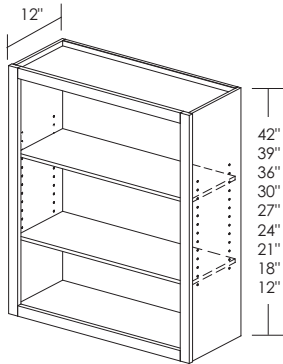
<b>42" High</b>	<b>36" High</b>
MWC2742	MWC2736
MWC3042	MWC3036
MWC3342	MWC3336
<b>39" High</b>	<b>30" High</b>
MWC2739	MWC2730
MWC3039	MWC3030
MWC3339	MWC3330

CABINET	OPENING SIZE
MWC27__	13-1/2"H x 24"W
MWC30__	13-1/2"H x 27"W
MWC33__	13-1/2"H x 30"W



## WALL CABINETRY

AD = Altered depth option



## WALL BOOK SHELF CABINETS

- Adjustable shelves
- Color matching interior
- AD 15"

**42" High (3 shelves)**

WBS1242  
WBS1542  
WBS1842  
WBS2142  
WBS2442  
WBS2742  
WBS3042  
WBS3342

**30" High (2 shelves)**

WBS1230  
WBS1530  
WBS1830  
WBS2130  
WBS2430  
WBS2730  
WBS3030  
WBS3330

**21" High (1 shelf)**

WBS1221  
WBS1521  
WBS1821  
WBS2121  
WBS2421  
WBS2721  
WBS3021  
WBS3321

**39" High (2 shelves)**

WBS1239  
WBS1539  
WBS1839  
WBS2139  
WBS2439  
WBS2739  
WBS3039  
WBS3339

**27" High (1 shelf)**

WBS1227  
WBS1527  
WBS1827  
WBS2127  
WBS2427  
WBS2727  
WBS3027  
WBS3327

**18" High (No shelf)**

WBS1218  
WBS1518  
WBS1818  
WBS2118  
WBS2418  
WBS2718  
WBS3018  
WBS3318

**36" High (2 shelves)**

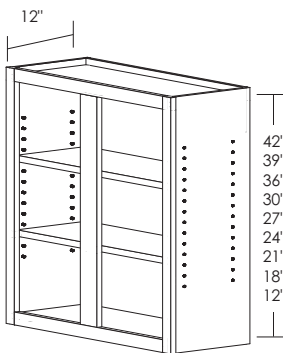
WBS1236  
WBS1536  
WBS1836  
WBS2136  
WBS2436  
WBS2736  
WBS3036  
WBS3336

**24" High (1 shelf)**

WBS1224  
WBS1524  
WBS1824  
WBS2124  
WBS2424  
WBS2724  
WBS3024  
WBS3324

**12" High (No shelf)**

WBS1212  
WBS1512  
WBS1812  
WBS2112  
WBS2412  
WBS2712  
WBS3012  
WBS3312



## DOUBLE WALL BOOK SHELF CABINETS

- Adjustable shelves
- Color matching interior
- AD 15"

**42" High (3 shelves)**

WBS3642  
WBS3942  
WBS4242  
WBS4542  
WBS4842

**30" High (2 shelves)**

WBS3630  
WBS3930  
WBS4230  
WBS4530  
WBS4830

**21" High (1 shelf)**

WBS3621  
WBS3921  
WBS4221  
WBS4521  
WBS4821

**39" High (2 shelves)**

WBS3639  
WBS3939  
WBS4239  
WBS4539  
WBS4839

**27" High (1 shelf)**

WBS3627  
WBS3927  
WBS4227  
WBS4527  
WBS4827

**18" High (No shelf)**

WBS3618  
WBS3918  
WBS4218  
WBS4518  
WBS4818

**36" High (2 shelves)**

WBS3636  
WBS3936  
WBS4236  
WBS4536  
WBS4836

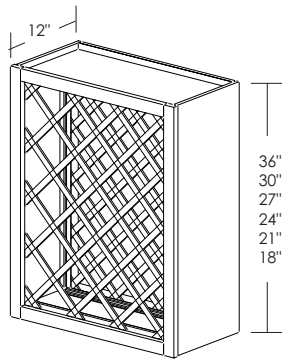
**24" High (1 shelf)**

WBS3624  
WBS3924  
WBS4224  
WBS4524  
WBS4824

**12" High (No shelf)**

WBS3612  
WBS3912

## WALL CABINETRY

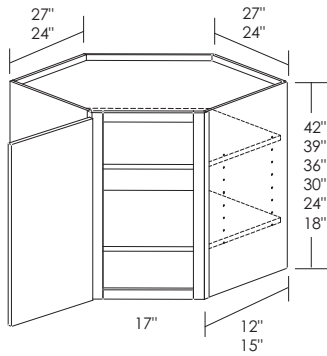


### WALL LATTICE WINE RACKS

- Color matching interior

CABINET	BOTTLE CAPACITY
<b>36" High</b>	
WRL1836	14
<b>30" High</b>	
WRL1830	10
WRL2130	17
WRL2430	18
<b>27" High</b>	
WRL1827	9
WRL2127	15
WRL2427	15
<b>24" High</b>	
WRL1824	8
WRL2124	13
WRL2424	10
WRL2724	15
WRL3024	18
<b>21" High</b>	
WRL1821	6
WRL2121	10
WRL2421	13
WRL2721	15
WRL3021	17
<b>18" High</b>	
WRL1818	4
WRL2118	6
WRL2418	8
WRL2718	9
WRL3018	10
WRL3618	14
<b>15" High</b>	
WRL3015	11
WRL3615	13

## WALL CABINETS



### CORNER WALL CABINETS

- Two hinges per door, except 42" high cabinets have three hinges per door
- Specify L or R door hinging
- For full overlay door styles, it is recommended to use fillers on each side of cabinet to ensure proper door operation
- **CW27's are 15"D**

#### 42" High (3 shelves)

CW2442 L or R  
CW2742 L or R

#### 30" High (2 shelves)

CW2430 L or R  
CW2730 L or R

#### 39" High (2 shelves)

CW2439 L or R  
CW2739 L or R

#### 24" High (2 shelves)

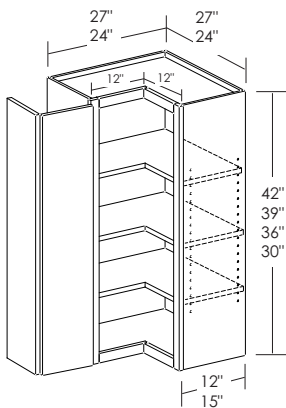
CW2424 L or R  
CW2724 L or R

#### 36" High (2 shelves)

CW2436 L or R  
CW2736 L or R

#### 18" High (No shelf)

CW2418 L or R  
CW2718 L or R



### WALL EASY REACH

- Three hinges per door, except 30" high cabinets have two hinges per door
- Bifold doors are hinged together
- Specify L or R door hinging
- Soft-close hinge is not available for this cabinet
- **WER27's are 15"D**

#### 42" High (3 shelves)

WER2442 L or R  
WER2742 L or R

#### 39" High (2 shelves)

WER2439 L or R  
WER2739 L or R

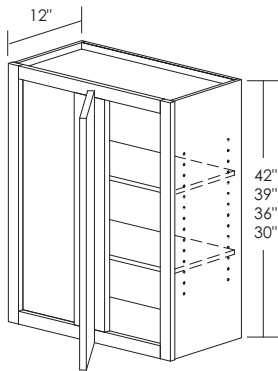
#### 36" High (2 shelves)

WER2436 L or R  
WER2736 L or R

#### 30" High (2 shelves)

WER2430 L or R  
WER2730 L or R

## WALL CABINETRY



### SINGLE DOOR BLIND WALL CABINETS

- Two hinges per door, except 42" high cabinets have three hinges per door
- Specify L or R door hinging and blind location

#### 42" High (3 shelves)

BW24/2742 L or R  
 BW27/3042 L or R  
 BW30/3342 L or R  
 BW33/3642 L or R  
 BW36/3942 L or R

#### 36" High (2 shelves)

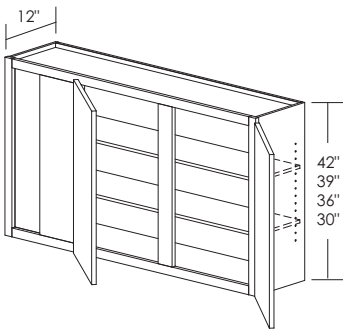
BW24/2736 L or R  
 BW27/3036 L or R  
 BW30/3336 L or R  
 BW33/3636 L or R  
 BW36/3936 L or R

#### 39" High (2 shelves)

BW24/2739 L or R  
 BW27/3039 L or R  
 BW30/3339 L or R  
 BW33/3639 L or R  
 BW36/3939 L or R

#### 30" High (2 shelves)

BW24/2730 L or R  
 BW27/3030 L or R  
 BW30/3330 L or R  
 BW33/3630 L or R  
 BW36/3930 L or R



### DOUBLE DOOR BLIND WALL CABINETS

- Two hinges per door, except 42" high cabinets have three hinges per door
- Specify L or R blind location

#### 42" High (3 shelves)

BW39/4242 L or R  
 BW42/4542 L or R  
 BW45/4842 L or R  
 BW48/5142 L or R

#### 36" High (2 shelves)

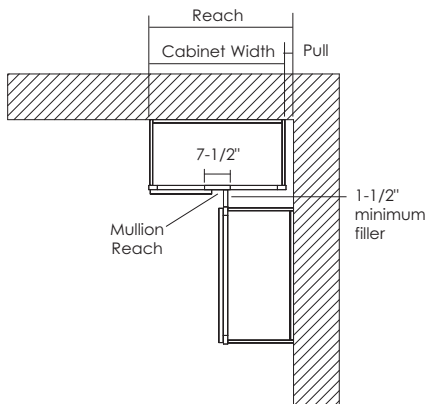
BW39/4236 L or R  
 BW42/4536 L or R  
 BW45/4836 L or R  
 BW48/5136 L or R

#### 39" High (2 shelves)

BW39/4239 L or R  
 BW42/4539 L or R  
 BW45/4839 L or R  
 BW48/5139 L or R

#### 30" High (2 shelves)

BW39/4230 L or R  
 BW42/4530 L or R  
 BW45/4830 L or R  
 BW48/5130 L or R

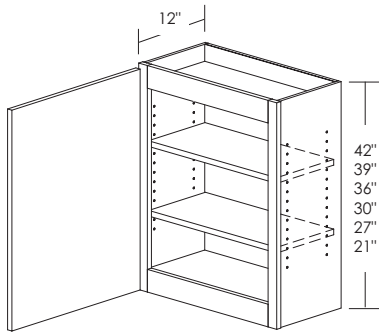


### TYPICAL BLIND WALL LAYOUT

CABINET	CABINET WIDTH	CABINET REPLACED	REACH – FULL OVERLAY	REACH – STD OVERLAY	MAX REACH
BW24/27XX	24	12	25-1/2 – 28-1/2	24-3/4 – 28-1/2	29.25
BW27/30XX	27	15	28-1/2 – 31-1/2	27-3/4 – 31-1/2	32.25
BW30/33XX	30	18	31-1/2 – 34-1/2	30-3/4 – 34-1/2	35.25
BW33/36XX	33	21	34-1/2 – 37-1/2	33-3/4 – 37-1/2	38.25
BW36/39XX	36	24	37-1/2 – 40-1/2	36-3/4 – 40-1/2	41.25
BW39/42XX	39	27	40-1/2 – 43-1/2	39-3/4 – 43-1/2	44.25
BW42/45XX	42	30	43-1/2 – 46-1/2	42-3/4 – 46-1/2	47.25
BW45/48XX	45	33	46-1/2 – 49-1/2	45-3/4 – 49-1/2	50.25
BW48/51XX	48	36	49-1/2 – 52-1/2	48-3/4 – 52-1/2	53.25

## WALL CABINETRY

AD = Altered depth option



## SINGLE DOOR WALL WITH RECESSED BOTTOM

- Two hinges per door, except 42" high cabinets have three hinges per door
- Rails are 3" which provide a 2-5/16" recess.
- Specify L or R door hinging
- **AD 15"**
- **Wall fronts available for all sizes, order as WF0942RC for example**

**42" High (3 shelves)**

W0942RC L or R  
 W1242RC L or R  
 W1542RC L or R  
 W1842RC L or R  
 W2142RC L or R  
 W2442RC L or R

**27" High (1 shelf)**

W0927RC L or R  
 W1227RC L or R  
 W1527RC L or R  
 W1827RC L or R  
 W21279RC L or R  
 W2427RC L or R

**39" High (2 shelves)**

W0939RC L or R  
 W1239RC L or R  
 W1539RC L or R  
 W1839RC L or R  
 W2139RC L or R  
 W2439RC L or R

**24" High (1 shelf)**

W0924RC L or R  
 W1224RC L or R  
 W1524RC L or R  
 W1824RC L or R  
 W2124RC L or R  
 W2424RC L or R

**36" High (2 shelves)**

W0936RC L or R  
 W1236RC L or R  
 W1536RC L or R  
 W1836RC L or R  
 W2136RC L or R  
 W2436RC L or R

**21" High (1 shelf)**

W0921RC L or R  
 W1221RC L or R  
 W1521RC L or R  
 W1821RC L or R  
 W2121RC L or R  
 W2421RC L or R

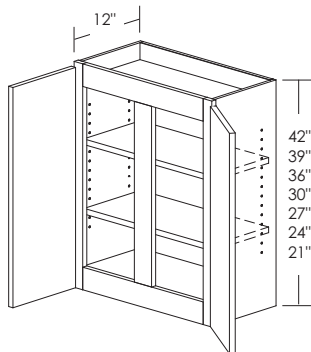
**30" High (2 shelves)**

W0930RC L or R  
 W1230RC L or R  
 W1530RC L or R  
 W1830RC L or R  
 W2130RC L or R  
 W2430RC L or R



## WALL CABINETY

AD = Altered depth option



## DOUBLE DOOR WALL WITH RECESSED BOTTOM

- Two hinges per door, except 42" high cabinets have three hinges per door
- Rails are 3" which provide a 2-5/16" recess.
- **AD 15"**
- **Wall fronts available for all sizes, order as WF2742RC for example**

**42" High (3 shelves)**

W2742RC  
W3042RC  
W3342RC  
W3642RC  
W3942RC  
W4242RC  
W4542RC  
W4842RC

**27" High (1 shelf)**

W2727RC  
W3027RC  
W3327RC  
W3627RC  
W3927RC  
W4227RC  
W4527RC  
W4827RC

**39" High (2 shelves)**

W2739RC  
W3039RC  
W3339RC  
W3639RC  
W3939RC  
W4239RC  
W4539RC  
W4839RC

**24" High (1 shelf)**

W2724RC  
W3024RC  
W3324RC  
W3624RC  
W3924RC  
W4224RC  
W4524RC  
W4824RC

**36" High (2 shelves)**

W2736RC  
W3036RC  
W3336RC  
W3636RC  
W3936RC  
W4236RC  
W4536RC  
W4836RC

**21" High (1 shelf)**

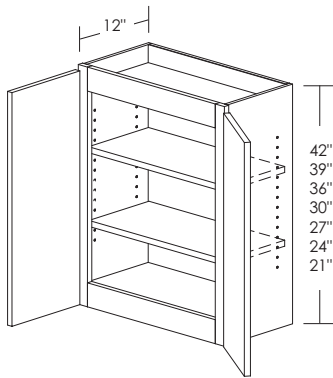
W2721RC  
W3021RC  
W3321RC  
W3621RC  
W3921RC  
W4221RC

**30" High (2 shelves)**

W2730RC  
W3030RC  
W3330RC  
W3630RC  
W3930RC  
W4230RC  
W4530RC  
W4830RC

## WALL CABINETS

AD = Altered depth option



## BUTT DOOR WALL WITH RECESSED BOTTOM

- Two hinges per door, except 42" high cabinets have three hinges per door
- Rails are 3" which provide a 2-5/16" recess
- **AD 15"**
- **Wall fronts available for all sizes, order as WF2442BDRC for example**

**42" High (3 shelves)**

W2442BDRC  
W2742BDRC  
W3042BDRC  
W3342BDRC  
W3642BDRC

**27" High (1 shelf)**

W2427BDRC  
W2727BDRC  
W3027BDRC  
W3327BDRC  
W3627BDRC

**39" High (2 shelves)**

W2439BDRC  
W2739BDRC  
W3039BDRC  
W3339BDRC  
W3639BDRC

**24" High (1 shelf)**

W2424BDRC  
W2724BDRC  
W3024BDRC  
W3324BDRC  
W3624BDRC

**36" High (2 shelves)**

W2436BDRC  
W2736BDRC  
W3036BDRC  
W3336BDRC  
W3636BDRC

**21" High (1 shelf)**

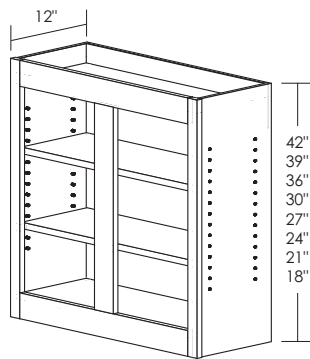
W2421BDRC  
W2721BDRC  
W3021BDRC  
W3321BDRC  
W3621BDRC

**30" High (2 shelves)**

W2430BDRC  
W2730BDRC  
W3030BDRC  
W3330BDRC  
W3630BDRC

## WALL CABINETRY

AD = Altered depth option



## WALL BOOK SHELF CABINETS WITH RECESSED BOTTOM

- Adjustable shelves
- Color matching interior
- Rails are 3" which provide a 2-5/16" recess
- **AD 15"**

**42" High (3 shelves)**

WBS1242RC  
WBS1542RC  
WBS1842RC  
WBS2142RC  
WBS2442RC  
WBS2742RC  
WBS3042RC  
WBS3342RC

**27" High (1 shelf)**

WBS1227RC  
WBS1527RC  
WBS1827RC  
WBS2127RC  
WBS2427RC  
WBS2727RC  
WBS3027RC  
WBS3327RC

**39" High (2 shelves)**

WBS1239RC  
WBS1539RC  
WBS1839RC  
WBS2139RC  
WBS2439RC  
WBS2739RC  
WBS3039RC  
WBS3339RC

**24" High (1 shelf)**

WBS1224RC  
WBS1524RC  
WBS1824RC  
WBS2124RC  
WBS2424RC  
WBS2724RC  
WBS3024RC  
WBS3324RC

**36" High (2 shelves)**

WBS1236RC  
WBS1536RC  
WBS1836RC  
WBS2136RC  
WBS2436RC  
WBS2736RC  
WBS3036RC  
WBS3336RC

**21" High (1 shelf)**

WBS1221RC  
WBS1521RC  
WBS1821RC  
WBS2121RC  
WBS2421RC  
WBS2721RC  
WBS3021RC  
WBS3321RC

**30" High (2 shelves)**

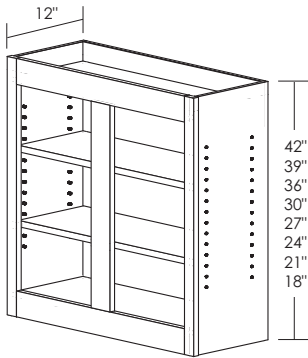
WBS1230RC  
WBS1530RC  
WBS1830RC  
WBS2130RC  
WBS2430RC  
WBS2730RC  
WBS3030RC  
WBS3330RC

**18" High (No shelf)**

WBS1218RC  
WBS1518RC  
WBS1818RC  
WBS2118RC  
WBS2418RC  
WBS2718RC  
WBS3018RC  
WBS3318RC

## WALL CABINETS

AD = Altered depth option



## DOUBLE WALL BOOK SHELF CABINETS WITH RECESSED BOTTOM

- Adjustable shelves
- Color matching interior
- Rails are 3" which provide a 2-5/16" recess
- **AD 15"**

**42" High (3 shelves)**

WBS3642RC  
 WBS3942RC  
 WBS4242RC  
 WBS4542RC  
 WBS4842RC

**27" High (1 shelf)**

WBS3627RC  
 WBS3927RC  
 WBS4227RC  
 WBS4527RC  
 WBS4827RC

**39" High (2 shelves)**

WBS3639RC  
 WBS3939RC  
 WBS4239RC  
 WBS4539RC  
 WBS4839RC

**24" High (1 shelf)**

WBS3624RC  
 WBS3924RC  
 WBS4224RC  
 WBS4524RC  
 WBS4824RC

**36" High (2 shelves)**

WBS3636RC  
 WBS3936RC  
 WBS4236RC  
 WBS4536RC  
 WBS4836RC

**21" High (1 shelf)**

WBS3621RC  
 WBS3921RC  
 WBS4221RC  
 WBS4521RC  
 WBS4821RC

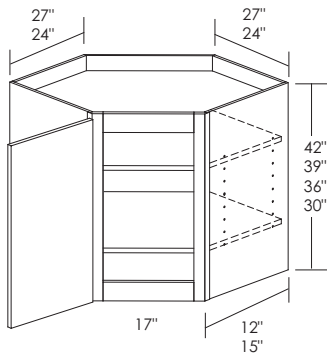
**30" High (2 shelves)**

WBS3630RC  
 WBS3930RC  
 WBS4230RC  
 WBS4530RC  
 WBS4830RC

**18" High (No shelf)**

WBS3618RC  
 WBS3918RC  
 WBS4218RC  
 WBS4518RC  
 WBS4818RC

## WALL CABINETRY



### CORNER WALL CABINETS WITH RECESSED BOTTOM

- Two hinges per door, except 42" high cabinets have three hinges per door
- Rails are 3" which provide a 2-5/16" recess.
- Specify L or R door hinging
- For full overlay door styles, it is recommended to use fillers on each side of cabinet to ensure proper door operation
- **CW27's are 15"D**

#### 42" High (3 shelves)

CW2442RC L or R  
CW2742RC L or R

#### 36" High (2 shelves)

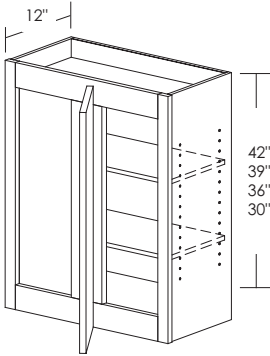
CW2436RC L or R  
CW2736RC L or R

#### 39" High (2 shelves)

CW2439RC L or R  
CW2739RC L or R

#### 30" High (2 shelves)

CW2430RC L or R  
CW2730RC L or R



### SINGLE DOOR BLIND WALL CABINETS WITH RECESSED BOTTOM

- Two hinges per door, except 42" high cabinets have three hinges per door
- Rails are 3" which provide a 2-5/16" recess.
- Specify L or R door hinging and blind location

#### 42" High (3 shelves)

BW24/2742RC L or R  
BW27/3042RC L or R  
BW30/3342RC L or R  
BW33/3642RC L or R  
BW36/3942RC L or R

#### 36" High (2 shelves)

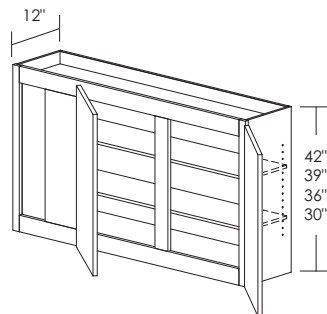
BW24/2736RC L or R  
BW27/3036RC L or R  
BW30/3336RC L or R  
BW33/3636RC L or R  
BW36/3936RC L or R

#### 39" High (2 shelves)

BW24/2739RC L or R  
BW27/3039RC L or R  
BW30/3339RC L or R  
BW33/3639RC L or R  
BW36/3939RC L or R

#### 30" High (2 shelves)

BW24/2730RC L or R  
BW27/3030RC L or R  
BW30/3330RC L or R  
BW33/3630RC L or R  
BW36/3930RC L or R



### DOUBLE DOOR BLIND WALL CABINETS WITH RECESSED BOTTOM

- Two hinges per door, except 42" high cabinets have three hinges per door
- Rails are 3" which provide a 2-5/16" recess.
- Specify L or R blind location

#### 42" High (3 shelves)

BW39/4242RC L or R  
BW42/4542RC L or R  
BW45/4842RC L or R  
BW48/5142RC L or R

#### 36" High (2 shelves)

BW39/4236RC L or R  
BW42/4536RC L or R  
BW45/4836RC L or R  
BW48/5136RC L or R

#### 39" High (2 shelves)

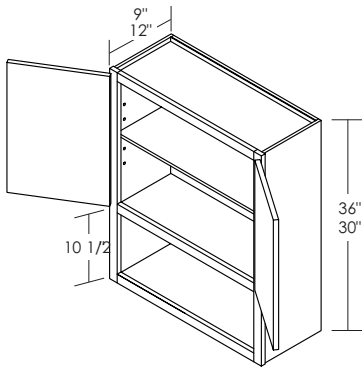
BW39/4239RC L or R  
BW42/4539RC L or R  
BW45/4839RC L or R  
BW48/5139RC L or R

#### 30" High (2 shelves)

BW39/4230RC L or R  
BW42/4530RC L or R  
BW45/4830RC L or R  
BW48/5130RC L or R

WALL CABINETRY

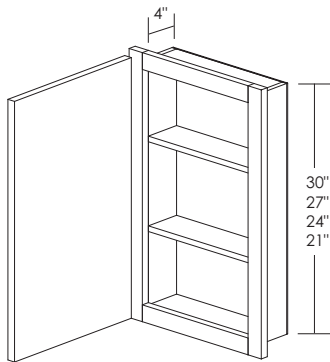
AD = Altered depth option



**BUTT DOOR WALL LINEN SHELF**

- Two hinges per door
- Comes with color matching interior
- Single adjustable shelf behind upper doors
- 10-1/2" high open shelf on bottom section
- **AD 9"**

WLS2430BD  
WLS2436BD



**MEDICINE CABINET**

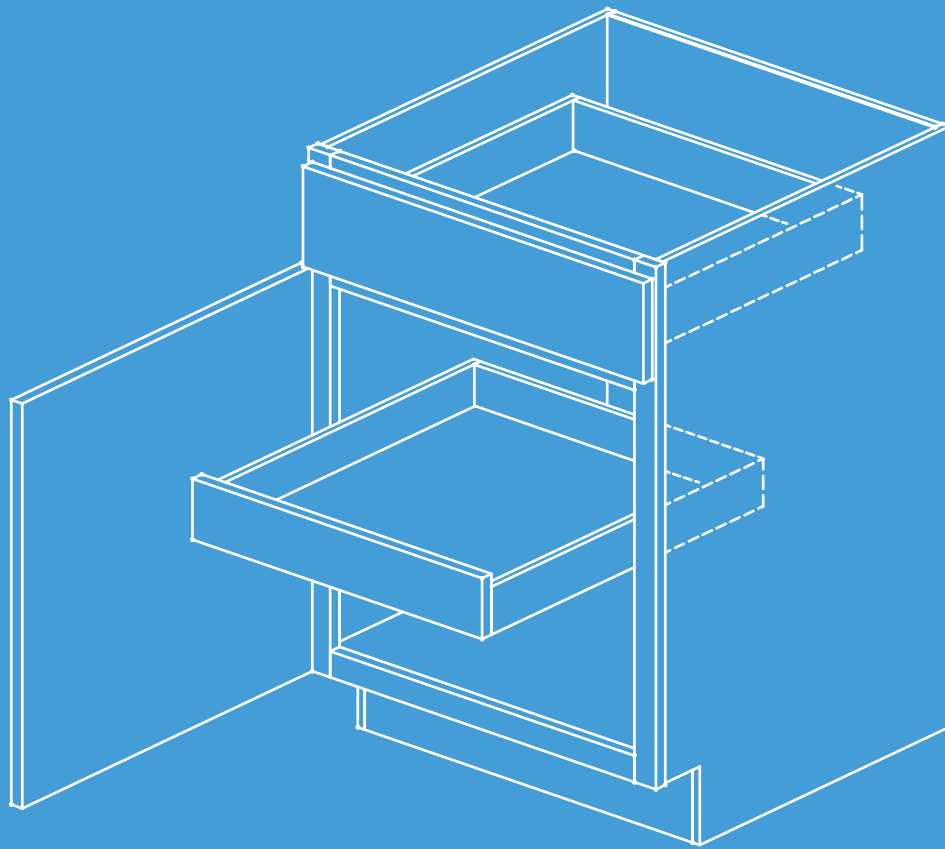
- Recessed cabinet
- Two hinges per door
- Specify L or R door hinging
- Comes with two 1/2" thick adjustable shelves
- Cut out dimensions are 1" smaller than cabinet dimensions

CUT OUT DIMENSIONS

	W	H
MCR1530 L or R	14"	29"
MCR1527 L or R	14"	26"
MCR1524 L or R	14"	23"
MCR1521 L or R	14"	20"

# FRAMED BASES

---

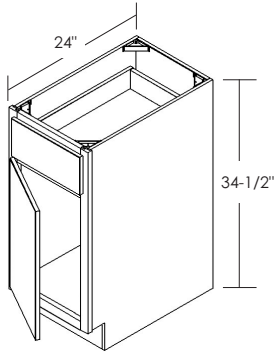






## BASE CABINETRY

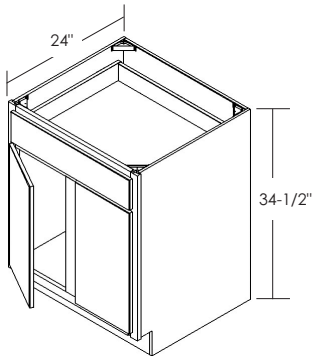
Cabinet Height: 34-1/2". Toe Kick Height: 4-1/2".



### BASE SINGLE DOOR AND DRAWER

- Two hinges per door
- Specify L or R door hinging
- Comes with adjustable half depth shelf
- **AD 21"**
- **FDS**
- **Base fronts available for all sizes, order as BF12 L or R for example**

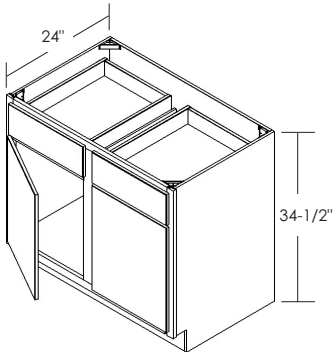
B12 L or R  
 B15 L or R  
 B18 L or R  
 B21 L or R  
 B24 L or R



### BASE DOUBLE DOOR AND SINGLE DRAWER

- Two hinges per door
- Comes with adjustable half depth shelf
- **AD 21"**
- **FDS**
- **Base fronts available for all sizes, order as BF27 for example**

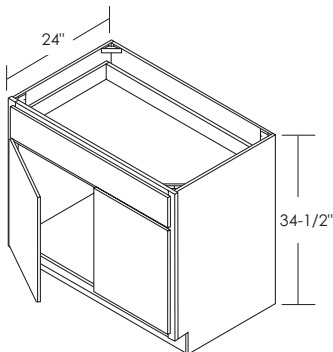
B27



### BASE DOUBLE DOOR AND DOUBLE DRAWER

- Two hinges per door
- Comes with adjustable half depth shelf
- **AD 21"**
- **FDS**
- **Base fronts available for all sizes, order as BF30 for example**

B30  
 B33  
 B36  
 B39  
 B42  
 B45  
 B48



### BASE BUTT DOOR AND WIDE SINGLE DRAWER

- Two hinges per door
- Comes with adjustable half depth shelf
- **AD 21"**
- **FDS**
- **Base fronts available for all sizes, order as BF24BD for example**

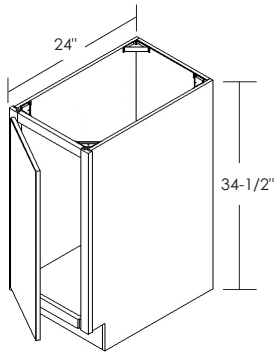
B24BD  
 B27BD  
 B30BD  
 B33BD  
 \*B36BD

\*FDS is not available on B36BD

AD = Altered depth option  
FDS = Full depth shelf option

## BASE CABINETS

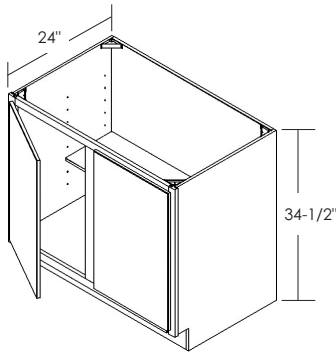
Cabinet Height: 34-1/2". Toe Kick Height: 4-1/2".



### BASE FULL HEIGHT SINGLE DOOR

- Two hinges per door
- Specify L or R door hinging
- Comes with adjustable half depth shelf
- **AD 12", 15", 18" or 21"**
- **FDS**
- **Base fronts available for all sizes, order as BF09FH for example**
- \* **When ordered in Canyon and Shelby, the door will be a slab style**

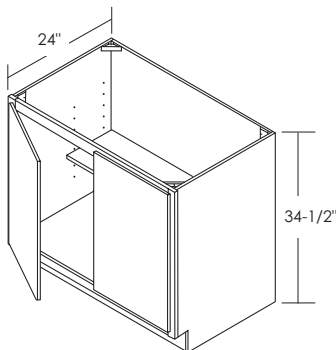
\* B09FH L or R  
B12FH L or R  
B15FH L or R  
B18FH L or R  
B21FH L or R  
B24FH L or R



### BASE FULL HEIGHT DOUBLE DOOR

- Two hinges per door
- Comes with adjustable half depth shelf
- **AD 12", 15", 18" or 21"**
- **FDS**
- **Base fronts available for all sizes, order as BF27FH for example**

B27FH  
B30FH  
B33FH  
B36FH  
B39FH  
B42FH  
B45FH  
B48FH



### BASE FULL HEIGHT BUTT DOOR

- Two hinges per door
- Comes with adjustable half depth shelf
- **AD 12", 15", 18" or 21"**
- **FDS**
- **Base fronts available for all sizes, order as BF24BDFH for example**

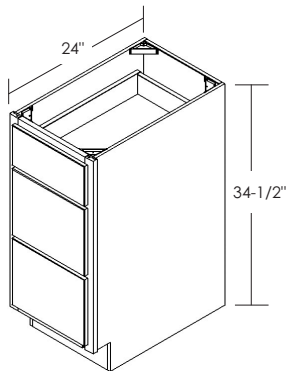
B24BDFH  
B27BDFH  
B30BDFH  
B33BDFH  
\*B36BDFH

\*FDS is not available on B36BDFH

AD = Altered depth option

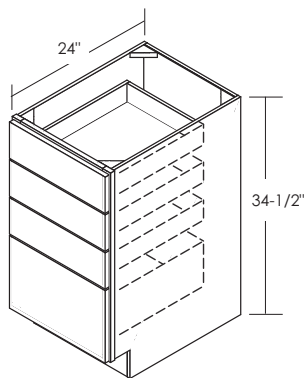
Cabinet Height: 34-1/2". Toe Kick Height: 4-1/2".

**BASE CABINETRY**



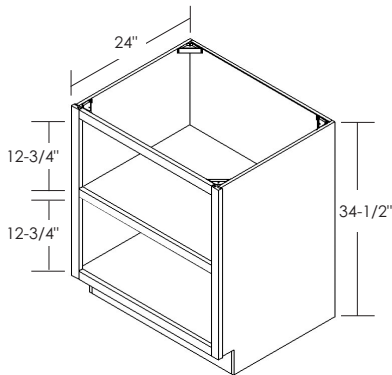
**THREE DRAWER BASE**

- One standard height drawer on top and two deep drawers on bottom
  - **AD 21"**
  - **Base fronts available for all sizes, order as DBF12-3 for example**
- DB12-3  
DB15-3  
DB18-3  
DB21-3  
DB24-3  
DB27-3  
DB30-3  
DB33-3  
DB36-3



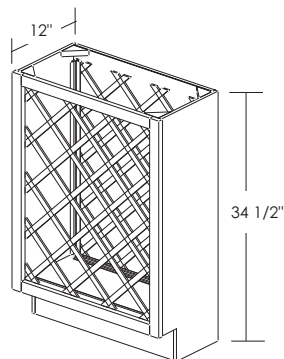
**FOUR DRAWER BASE**

- Three standard height drawers on top and one deep bottom drawer
  - **AD 21"**
  - **Base fronts available for all sizes, order as DBF12-4 for example**
- DB12-4  
DB15-4  
DB18-4  
DB21-4  
DB24-4  
DB27-4  
DB30-4  
DB33-4  
DB36-4



**BASE BOOKSHELF**

- Two equal openings
  - Color matching interior
  - Fixed full depth shelf
  - **AD 12", 18", or 21"**
- BBS18  
BBS21  
BBS24  
BBS27  
BBS30



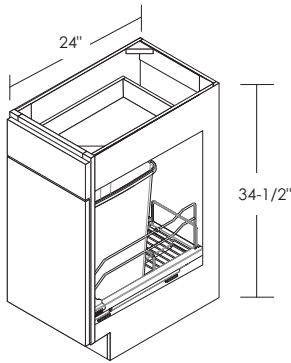
**BASE LATTICE WINE RACK**

- Color matching interior

WIDTH	BOTTLE CAPACITY
B18WRL	12
B21WRL	17
B24WRL	17

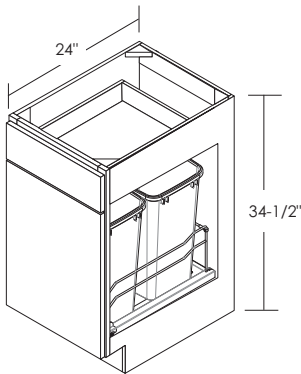
**BASE CABINERY**

Cabinet Height: 34-1/2". Toe Kick Height: 4-1/2".

**BASE WITH SINGLE WASTEBASKET BIN PULL OUT**

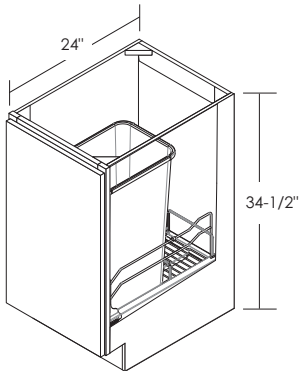
- Door is attached to wastebasket guides and opens as drawer
- 35 qt. removable trash container
- Integrated full extension soft-close guide system

B15WBS

**BASE WITH DOUBLE WASTEBASKET BIN PULL OUT**

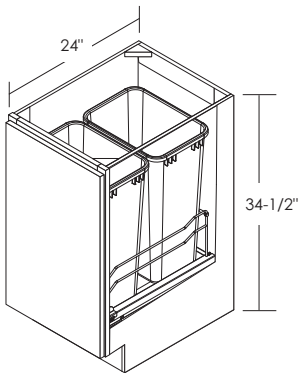
- Door is attached to wastebasket guides and opens as drawer
- Two 35 qt. removable trash containers
- Integrated full extension soft-close guide system

B18WBD

**BASE FULL HEIGHT WITH SINGLE WASTEBASKET BIN PULL OUT**

- Door is attached to wastebasket guides and opens as drawer
- 50 qt. removable trash container
- Integrated full extension soft-close guide system

B15FWBS

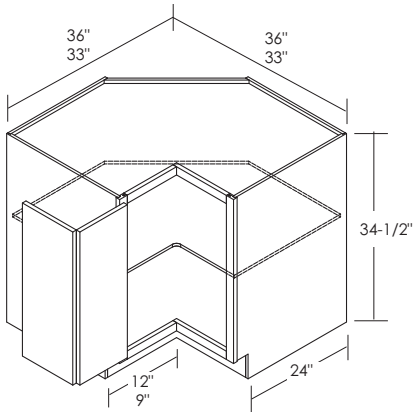
**BASE FULL HEIGHT WITH DOUBLE WASTEBASKET BIN PULL OUT**

- Door is attached to wastebasket guides and opens as drawer
- Two 50 qt. removable trash containers
- Integrated full extension soft-close guide system

B18FWBD  
B21FWBD

## BASE CABINERY

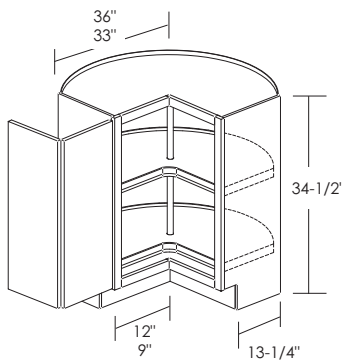
Cabinet Height: 34-1/2". Toe Kick Height: 4-1/2".



### BASE EASY REACH

- Two hinges per door
- Bifold doors are hinged together
- Specify L or R door hinging
- Comes with one adjustable full depth shelf
- This cabinet is not intended to be used at the end of a cabinet run
- Soft-close hinge is not available for this cabinet
- **NOTE: If cabinet is installed next to an appliance that is deeper than 25", it may interfere with door opening. Use of a filler or a BRP end panel between the cabinet and appliance is recommended.**
- **BER33 will have slab doors for the following routed styles: Canyon, Channing, Covington, Ridgeland, Rosser, Savoy, Shelby and Vancouver**

BER33x24 L or R  
BER36x24 L or R



### BASE LAZY SUSAN

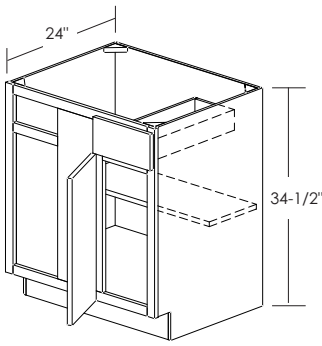
- Two hinges per door
- Bifold doors are hinged together
- Specify L or R door hinging
- Two high impact 23-1/2" diameter white plastic shelves that rotate independently of each other
- Top shelf height is adjustable
- This cabinet is not intended to be used at the end of a cabinet run
- Soft-close hinge is not available for this cabinet
- **NOTE: If cabinet is installed next to an appliance that is deeper than 25", it may interfere with door opening. Use of a filler or a BRP end panel between the cabinet and appliance is recommended.**
- **BLS33 will have slab doors for the following routed styles: Canyon, Channing, Covington, Ridgeland, Rosser, Savoy, Shelby and Vancouver**

BLS33 L or R  
BLS36 L or R

FDS = Full depth shelf option

**BASE CABINERY**

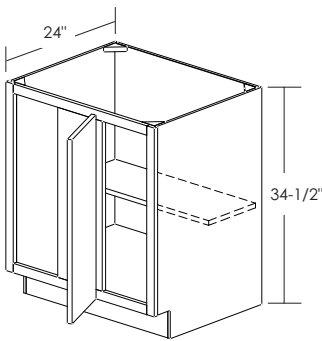
Cabinet Height: 34-1/2". Toe Kick Height: 4-1/2".



**BLIND BASE WITH DRAWER**

- Two hinges per door
- Specify L or R door hinging
- Comes with adjustable half depth shelf
- Must order filler separately
- **FDS**

- BB39/42 L or R
- BB42/45 L or R
- BB45/48 L or R
- BB48/51 L or R



**BLIND BASE FULL HEIGHT DOOR**

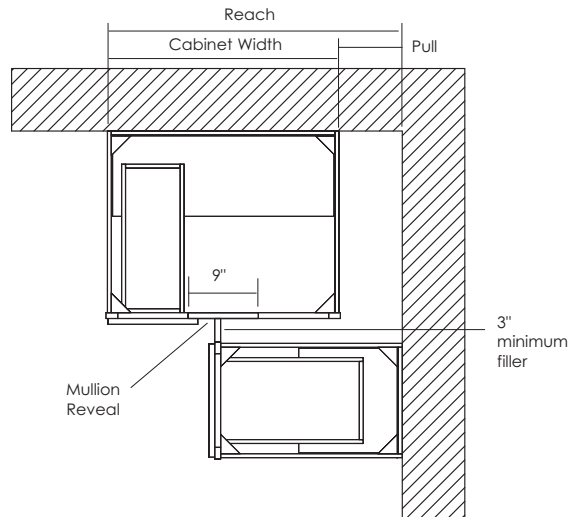
- Two hinges per door
- Specify L or R door hinging
- Comes with adjustable half depth shelf
- Must order filler separately
- **FDS**

\* When ordered in Canyon and Shelby, the door will be a slab style

- \* BB36/39FH L or R
- BB39/42FH L or R
- BB42/45FH L or R
- BB45/48FH L or R
- BB48/51FH L or R

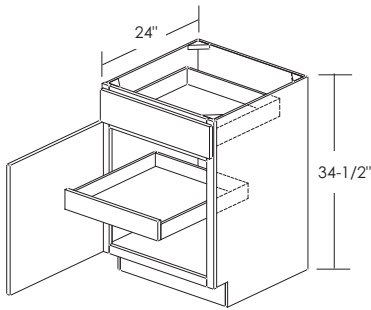
**TYPICAL BLIND BASE LAYOUT**

Item	Overall Cabinet Width	Replaces Cabinet and Filler for	Pull		Reach		MullionReveal	
			Min	Max	Min	Max	Min	Max
BB36/39	24	9	12	15	36	39	4.5	7.5
BB39/42	30	12	9	12	39	42	4.5	7.5
BB42/45	36	15	6	9	42	45	4.5	7.5
BB45/48	42	18	3	6	45	48	4.5	7.5
BB48/51	48	21	0	3	48	51	4.5	7.5



## BASE CABINETRY

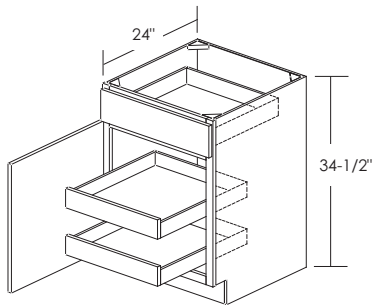
Cabinet Height: 34-1/2". Toe Kick Height: 4-1/2".



### BASE SINGLE DOOR AND DRAWER WITH ONE ROLL OUT SHELF

- Two hinges per door
- Specify L or R door hinging
- One full depth shelf tray
- Soft-close upgrade does not apply to the roll out shelves

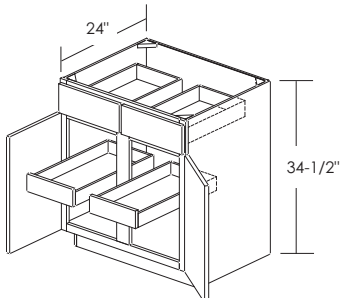
B12ROS L or R  
B15ROS L or R  
B18ROS L or R  
B21ROS L or R  
B24ROS L or R



### BASE SINGLE DOOR AND DRAWER WITH TWO ROLL OUT SHELVES

- Two hinges per door
- Specify L or R door hinging
- Two full depth shelf trays
- Soft-close upgrade does not apply to the roll out shelves

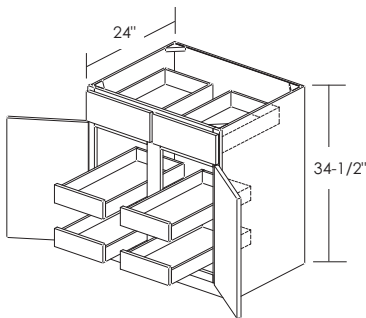
B12ROS2 L or R  
B15ROS2 L or R  
B18ROS2 L or R  
B21ROS2 L or R  
B24ROS2 L or R



### BASE DOUBLE DOOR AND DRAWER WITH TWO ROLL OUT SHELVES

- Two hinges per door
- Two full depth shelf trays
- Soft-close upgrade does not apply to the roll out shelves

B27ROS2  
B30ROS2  
B33ROS2  
B36ROS2  
B39ROS2  
B42ROS2



### BASE DOUBLE DOOR AND DRAWER WITH FOUR ROLL OUT SHELVES

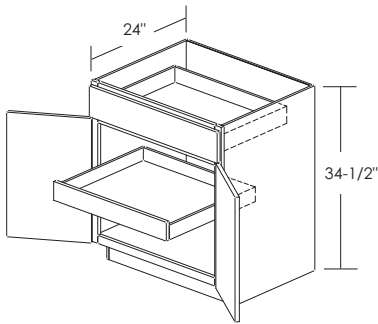
- Two hinges per door
- Four full depth shelf trays
- Soft-close upgrade does not apply to the roll out shelves

B27ROS4  
B30ROS4  
B33ROS4  
B36ROS4  
B39ROS4  
B42ROS4



## BASE CABINETRY

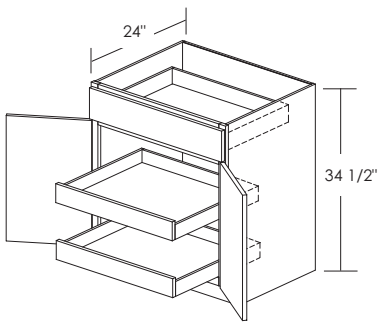
Cabinet Height: 34-1/2". Toe Kick Height: 4-1/2".



### BASE BUTT DOOR WITH SINGLE WIDE DRAWER AND ROLL OUT SHELF

- Two hinges per door
- One full depth shelf tray
- Soft-close upgrade does not apply to the roll out shelves

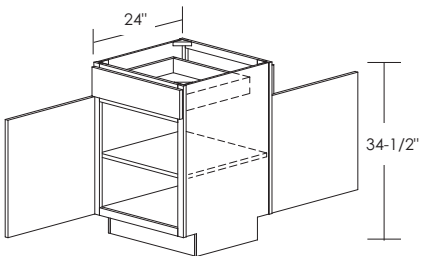
B24BDROS  
B27BDROS  
B30BDROS  
B33BDROS



### BASE BUTT DOOR WITH SINGLE WIDE DRAWER AND TWO ROLL OUT SHELVES

- Two hinges per door
- Two full depth shelf tray
- Soft-close upgrade does not apply to the roll out shelves

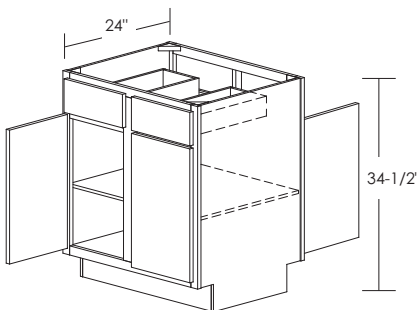
B24BDROS2  
B27BDROS2  
B30BDROS2  
B33BDROS2



### SINGLE DOOR AND DRAWER PENINSULA BASE

- Two hinges per door
- Specify L or R door hinging
- Comes with one adjustable full depth shelf
- Single door and drawer in front; single door and dummy drawer front in rear

PB24 L or R



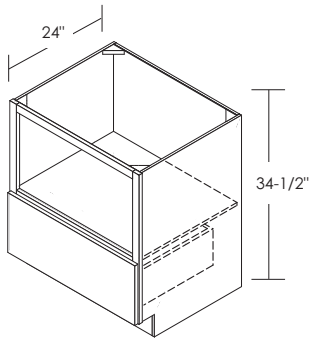
### DOUBLE DOOR AND DRAWER PENINSULA BASE

- Two hinges per door
- Comes with one adjustable full depth shelf
- Double doors and drawers in front; double doors and double dummy drawer fronts in rear

PB30  
PB36  
PB42

**BASE CABINETRY**

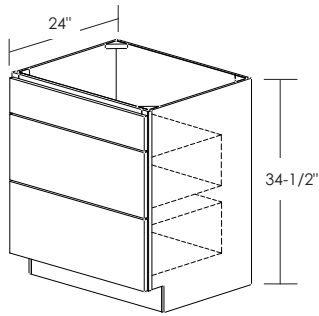
Cabinet Height: 34-1/2". Toe Kick Height: 4-1/2".



**BASE MICROWAVE**

- One deep bottom drawer
- Comes with a matching finished interior
- Not designed for use with trim kit
- **Refer to appliance manufacturer specifications for proper clearance and ventilation requirements**

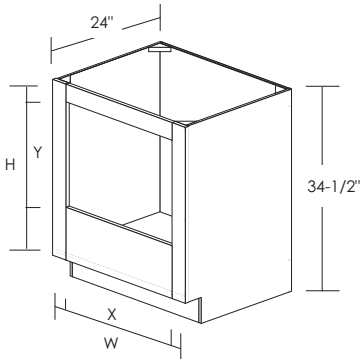
	OPENING SIZE
BMC27	15-3/4" H x 24" W
BMC30	15-3/4" H x 27" W
BMC33	15-3/4" H x 30" W



**DRAWER BASE RANGE**

- One false drawer front on top and two deep drawers on bottom
- Designed for use with drop-in cooktop
- **Refer to appliance manufacturer specifications for proper clearance and ventilation requirements**

DBR30  
DBR36



**BASE OVEN CABINET**

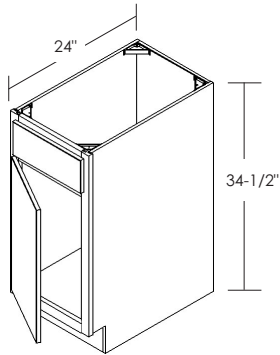
- Designed for installing single oven beneath the countertop
- 3" Stiles
- **Refer to the appliance manufacturer's specifications for required clearances and materials needed for installation**

	X = OPENING WIDTH	W = MAX CUT-OUT WIDTH	Y = OPENING HEIGHT	H = MAX CUT-OUT HEIGHT
BOV27	21"	25-1/2"	18"	28"
BOV30	24"	28-1/2"	18"	28"
BOV33	27"	31-1/2"	18"	28"

## BASE CABINETRY

AD = Altered depth option

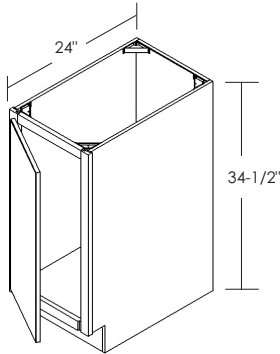
Cabinet Height: 34-1/2". Toe Kick Height: 4-1/2".



### SINGLE DOOR SINK BASE

- Two hinges per door
- Specify L or R door hinging
- One false front
- Sink base fronts available for all sizes, order as SBF18 L or R for example
- **AD 15", 18", or 21"**

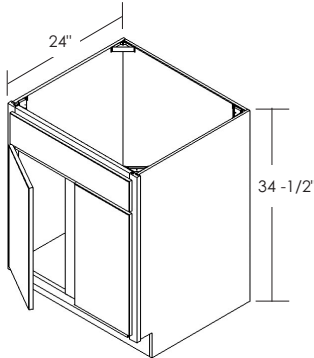
SB18 L or R  
SB21 L or R  
SB24 L or R



### SINGLE DOOR FULL HEIGHT SINK BASE

- Two hinges per door
- Specify L or R door hinging
- Sink base fronts available for all sizes, order as SBF18FH for example
- **AD 15", 18", or 21"**

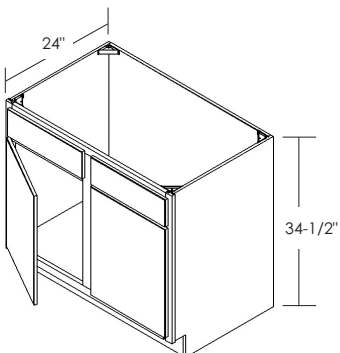
SB18FH L or R  
SB21FH L or R  
SB24FH L or R



### DOUBLE DOOR SINK BASE WITH SINGLE DRAWER FRONT

- Two hinges per door
- One false front
- Sink base front available order as SBF27
- **AD 15", 18", or 21"**

SB27



### DOUBLE DOOR SINK BASE

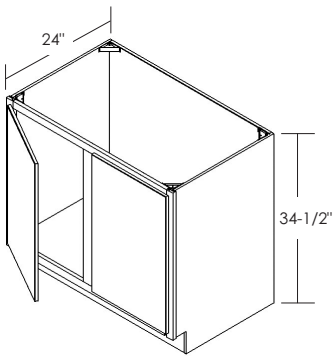
- Two hinges per door
- Two false fronts
- Sink base fronts available for all sizes, order as SBF30 for example
- **AD 15", 18", or 21"**

SB30  
SB33  
SB36  
SB39  
SB42  
SB45  
SB48

AD = Altered depth option

Cabinet Height: 34-1/2". Toe Kick Height: 4-1/2".

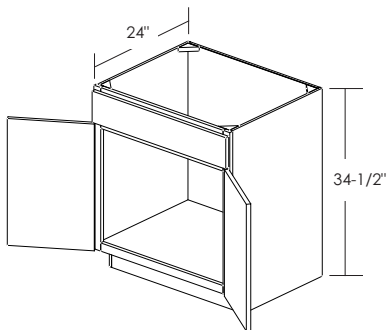
## BASE CABINETRY



### DOUBLE DOOR FULL HEIGHT SINK BASE

- Two hinges per door
- Sink base fronts available for all sizes, order as SBF27FH for example
- **AD 15", 18", or 21"**

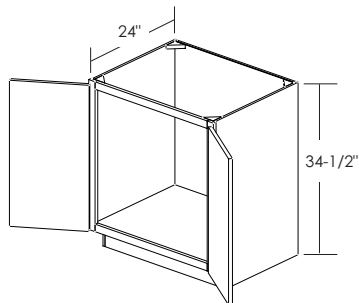
SB27FH  
SB30FH  
SB33FH  
SB36FH  
SB39FH  
SB42FH  
SB45FH  
SB48FH



### BUTT DOOR SINK BASE

- Two hinges per door
- One wide false front
- Sink base fronts available for all sizes, order as SBF24BD for example
- **AD 15", 18", or 21"**

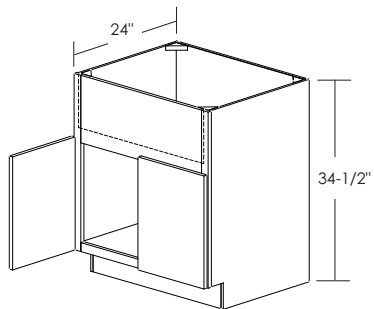
SB24BD  
SB27BD  
SB30BD  
SB33BD  
SB36BD



### BUTT DOOR FULL HEIGHT SINK BASE

- Two hinges per door
- Sink base fronts available for all sizes, order as SBF24BDFH for example
- **AD 15", 18", or 21"**

SB24BDFH  
SB27BDFH  
SB30BDFH  
SB33BDFH  
SB36BDFH



### DEEP SINK BASE

- Two hinges per door
- Can be used with deep sink or drop-in cook top
- Sink base fronts available for all sizes, order as DSBF30BD for example
- **Refer to appliance manufacturer specifications for proper clearance and ventilation requirements**
- **AD 21"**

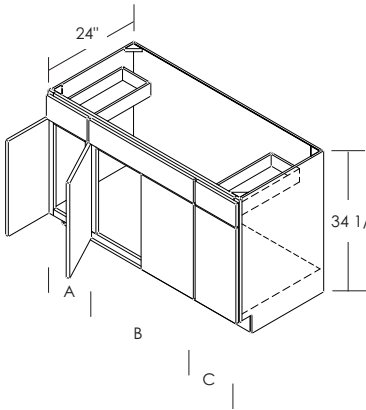
DSB30BD  
DSB33BD  
DSB36BD

MAXIMUM CUT OUT DIMENSIONS		
CABINET	MAX WIDTH	MAX HEIGHT
DSB30BD	28"	9"
DSB33BD	31"	9"
DSB36BD	34"	9"

**BASE CABINETS**

AD = Altered depth option

Cabinet Height: 34-1/2". Toe Kick Height: 4-1/2".

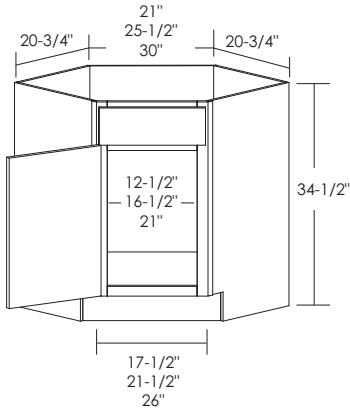


**BUTT DOOR SINK BASE COMBINATION**

- Two hinges per door
- One standard depth drawer on each side with one false front center
- **AD 21"**

SBC54BD  
SBC60BD

	A	B	C
SBC54BD	12"	30"	12"
SBC60BD	15"	30"	15"



**SINK BASE DIAGONAL**

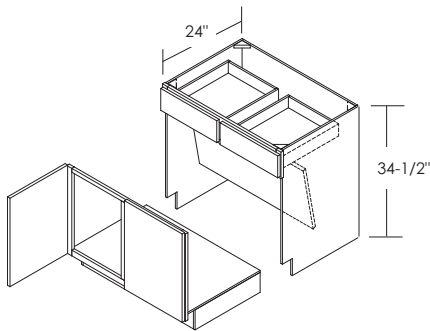
- Two hinges per door
- Specify L or R door hinging
- One false front

SBD36 L or R  
SBD39 L or R  
SBD42 L or R

AD = Altered depth option

Cabinet Height: 34-1/2". Toe Kick Height: 4-1/2".

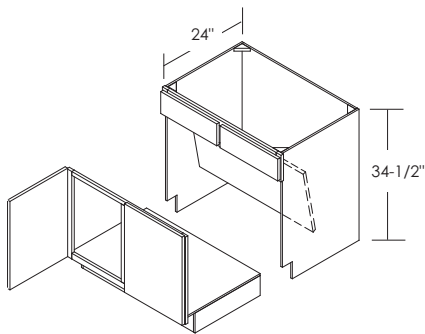
## BASE CABINETRY



### ACCESSIBLE BASE

- Two hinges per door
- Two drawers
- Comes standard with a matching interior
- **AD 21"**

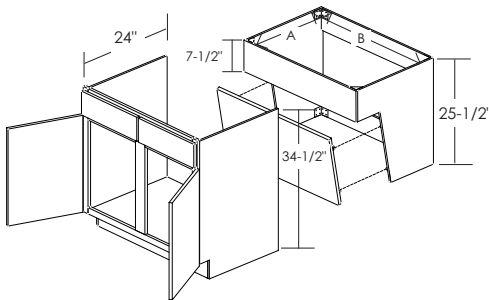
ACB33  
ACB36  
ACB39  
ACB42



### ACCESSIBLE SINK BASE

- Two hinges per door
- Two false fronts
- Comes standard with a matching interior
- **AD 21"**

ACSB33  
ACSB36  
ACSB39  
ACSB42  
ACSB45  
ACSB48

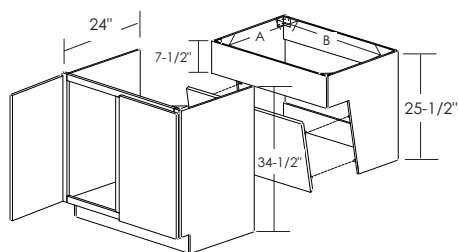


### UFAS SINK BASE AND INSERT

- Two hinges per door
- Two false fronts
- Removable option when 30" or less is available
- Outer cabinet is removable when needed to leave UFAS insert attached to wall
- Designed to meet minimum adaptable clearance requirements
- Customer should confirm sink opening dimension requirements. A rear overflow sink maybe necessary
- Insert can be trimmed in field to meet local codes
- Baffle matches exterior finish
- **AD 21"**

UFASSB30  
UFASSB33  
UFASSB36

Cabinet	Depth	Sink Clearance	
		A	B
UFASSB30	24"	21-1/2"	27"
	21"	18-1/2"	27"
UFASSB33	24"	21-1/2"	30"
	21"	18-1/2"	30"
UFASSB36	24"	21-1/2"	33"
	21"	18-1/2"	33"



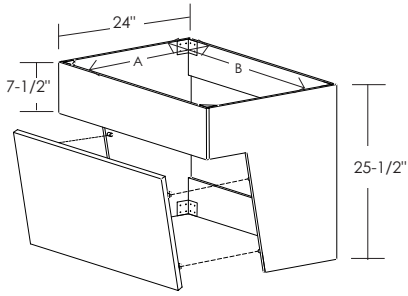
### UFAS FULL HEIGHT SINK BASE AND INSERT

- Two hinges per door
- Removable option when 30" or less is available
- Outer cabinet is removable when needed to leave UFAS insert attached to wall
- Recommended installation height of 34-1/2" to provide required knee and toe clearance
- Customer should confirm sink opening dimension requirements. A rear overflow sink maybe necessary
- Designed to meet minimum adaptable clearance requirements
- Insert can be trimmed in field to meet local codes
- Baffle matches exterior finish
- **AD 21"**

UFASSB30FH  
UFASSB33FH  
UFASSB36FH

Cabinet	Depth	Sink Clearance	
		A	B
UFASSB30FH	24"	21-1/2"	27"
	21"	18-1/2"	27"
UFASSB33FH	24"	21-1/2"	30"
	21"	18-1/2"	30"
UFASSB36FH	24"	21-1/2"	33"
	21"	18-1/2"	33"

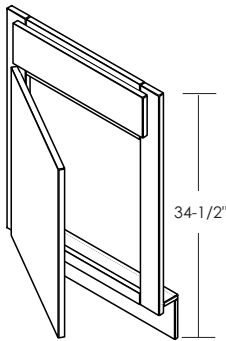
**BASE CABINTRY**



**UFAS SINK BASE INSERT ONLY**

- Baffle is removable for plumbing access
- Recommended installation height of 34-1/2" to provide required knee and toe clearance
- Customer should confirm sink opening dimension requirements. A rear overflow sink may be necessary
- Insert can be trimmed in field to meet local codes
- Baffle matches exterior finish
- **AD 21"**

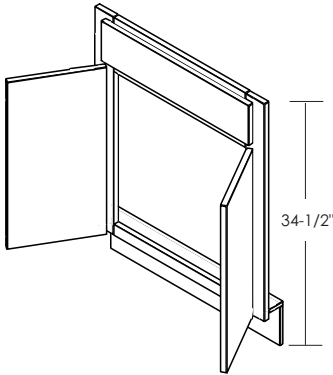
Cabinet	Depth	Sink Clearance	
		A	B
UFASIOB30	24"	22-1/2"	28-1/2"
UFASIOB30	21"	19-1/2"	28-1/2"
UFASIOB33	24"	22-1/2"	31-1/2"
UFASIOB33	21"	19-1/2"	31-1/2"
UFASIOB36	24"	22-1/2"	34-1/2"
UFASIOB36	21"	19-1/2"	34-1/2"



**SINGLE DOOR TRIMMABLE SINK FRONTS**

- Two hinges per door
- Specify L or R door hinging
- Trimmable 1-1/2" each side
- One false front

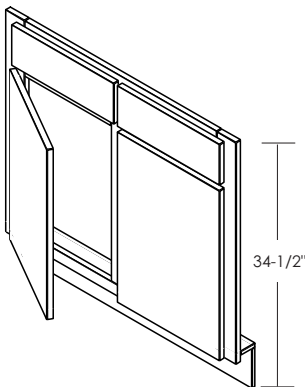
- SF12T L or R
- SF15T L or R
- SF18T L or R
- SF21T L or R
- SF24T L or R



**BUTT DOOR TRIMMABLE SINK FRONTS**

- Two hinges per door
- Trimmable 1-1/2" each side
- One false front

- SF27BDT
- SF30BDT
- SF33BDT
- SF36BDT



**DOUBLE DOOR TRIMMABLE SINK FRONTS**

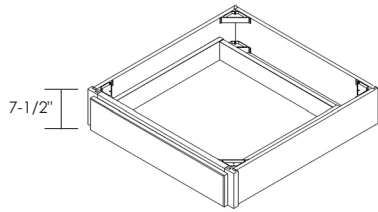
- Two hinges per door
- Trimmable 1-1/2" each side
- Two false fronts

- \*SF30T
- SF33T
- SF36T
- SF39T
- SF42T
- SF45T
- SF48T

\*SF30T has one false front

## BASE CABINETY

### DRAWER SKIRT



- 7-1/2" high drawer skirt

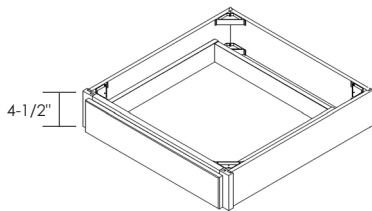
#### 21" Deep

DS1821  
DS2121  
DS2421  
DS2721  
DS3021  
DS3621

#### 24" Deep

DS1824  
DS2124  
DS2424  
DS2724  
DS3024  
DS3624

### PENCIL DRAWER SKIRT



- 4-1/2" high pencil drawer
- When ordered as a 5PC drawer style, the drawer head will be slab style

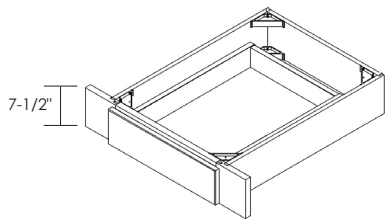
#### 21" Deep

PD1821  
PD2121  
PD2421  
PD2721  
PD3021  
PD3621

#### 24" Deep

PD1824  
PD2124  
PD2424  
PD2724  
PD3024  
PD3624

### DRAWER SKIRT TRIMMABLE



- 7-1/2" high drawer skirt
- Trimmable 3" on each side

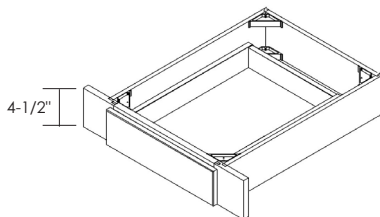
#### 21" Deep

DST2121  
DST2421  
DST2721  
DST3021  
DST3621

#### 24" Deep

DST2124  
DST2424  
DST2724  
DST3024  
DST3624

### PENCIL DRAWER SKIRT TRIMMABLE



- 4-1/2" high pencil drawer
- Trimmable 3" on each side
- When ordered as a 5PC drawer style, the drawer head will be slab style

#### 21" Deep

PDT2121  
PDT2421  
PDT2721  
PDT3021  
PDT3621

#### 24" Deep

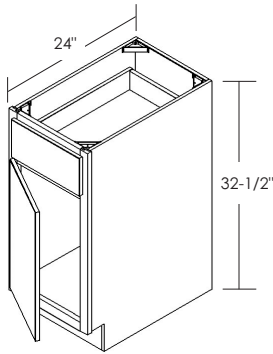
PDT2124  
PDT2424  
PDT2724  
PDT3024  
PDT3624



AD = Altered depth option  
 FDS = Full depth shelf option

## UNIVERSAL ACCESS BASE CABINETRY

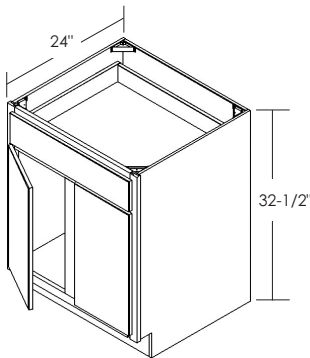
Cabinet Height: 32-1/2". Toe Kick Height: 5-1/2".



### UNIVERSAL ACCESS BASE SINGLE DOOR AND DRAWER

- Two hinges per door
- Specify L or R door hinging
- Comes with adjustable half depth shelf
- Base fronts available for all sizes, order as HCBF12 L or R for example
- **AD 21"**
- **FDS**

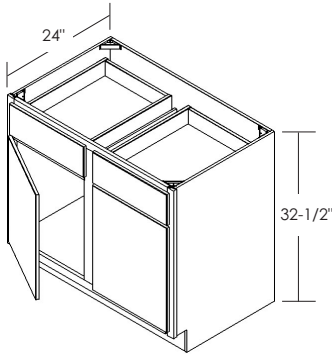
HCB09 L or R  
 HCB12 L or R  
 HCB15 L or R  
 HCB18 L or R  
 HCB21 L or R  
 HCB24 L or R



### UNIVERSAL ACCESS BASE DOUBLE DOOR AND SINGLE DRAWER

- Two hinges per door
- Comes with adjustable half depth shelf
- Base front available order as HCFB27
- **AD 21"**
- **FDS**

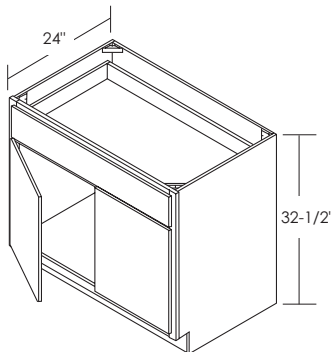
HCB27



### UNIVERSAL ACCESS BASE DOUBLE DOOR AND DOUBLE DRAWER

- Two hinges per door
- Comes with adjustable half depth shelf
- Base fronts available for all sizes, order as HCBF30 for example
- **AD 21"**
- **FDS**

HCB30  
 HCB33  
 HCB36  
 HCB39  
 HCB42  
 HCB45  
 HCB48



### UNIVERSAL ACCESS BASE BUTT DOOR AND WIDE SINGLE DRAWER

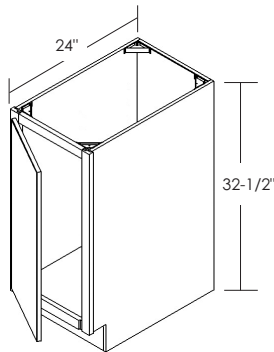
- Two hinges per door
- Comes with adjustable half depth shelf
- Base fronts available for all sizes, order as HCBF24BD for example
- **AD 21"**
- **FDS**

HCB24BD  
 HCB27BD  
 HCB30BD  
 HCB33BD  
 \*HCB36BD

\*FDS is not available on HCB36BD

## UNIVERSAL ACCESS BASE CABINETRY

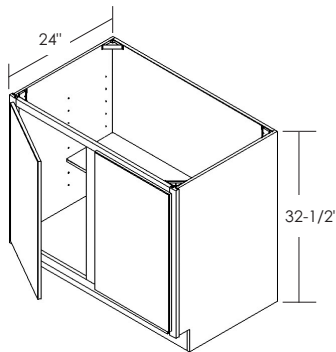
Cabinet Height: 32-1/2". Toe Kick Height: 5-1/2".



### UNIVERSAL ACCESS BASE FULL HEIGHT SINGLE DOOR

- Two hinges per door
- Specify L or R door hinging
- Comes with adjustable half depth shelf
- Base fronts available for all sizes, order as HCBF09FH for example
- **AD 12", 15", 18" or 21"**
- **FDS**
- \* **When ordered in Canyon and Shelby, the door will be a slab style**

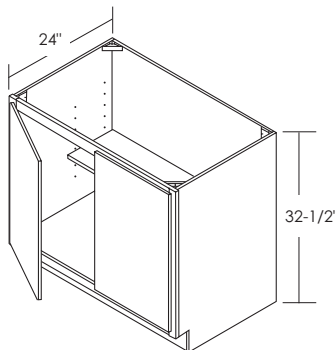
\* HCB09FH L or R  
 HCB12FH L or R  
 HCB15FH L or R  
 HCB18FH L or R  
 HCB21FH L or R  
 HCB24FH L or R



### UNIVERSAL ACCESS BASE FULL HEIGHT DOUBLE DOOR

- Two hinges per door
- Comes with adjustable half depth shelf
- Base fronts available for all sizes, order as HCBF27FH for example
- **AD 12", 15", 18" or 21"**
- **FDS**

HCB27FH  
 HCB30FH  
 HCB33FH  
 HCB36FH  
 HCB39FH  
 HCB42FH  
 HCB45FH  
 HCB48FH



### UNIVERSAL ACCESS BASE FULL HEIGHT BUTT DOOR

- Two hinges per door
- Comes with adjustable half depth shelf
- Base fronts available for all sizes, order as HCBF24BDFH for example
- **AD 12", 15", 18" or 21"**
- **FDS**

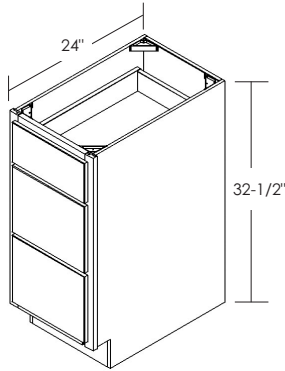
HCB24BDFH  
 HCB27BDFH  
 HCB30BDFH  
 HCB33BDFH  
 \*HCB36BDFH

\*FDS is not available on HCB36BDFH

AD = Altered depth option

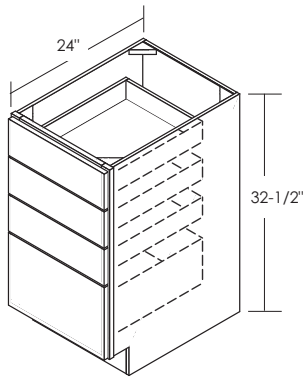
**UNIVERSAL ACCESS BASE CABINETRY**

Cabinet Height: 32- 1/2". Toe Kick Height: 5-1/2".

**UNIVERSAL ACCESS THREE DRAWER BASE**

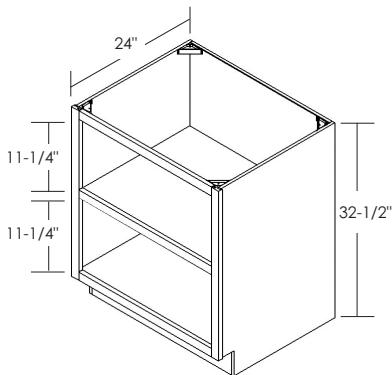
- One standard depth drawer on top and two deep drawers on bottom
- Base fronts available for all sizes, order as HCDBF12-3 for example
- **AD 21"**

HCDB12-3  
 HCDB15-3  
 HCDB18-3  
 HCDB21-3  
 HCDB24-3  
 HCDB27-3  
 HCDB30-3  
 HCDB33-3  
 HCDB36-3

**UNIVERSAL ACCESS FOUR DRAWER BASE**

- Three standard height drawers on top and one deep bottom drawer
- Base fronts available for all sizes, order as HCDBF12-4 for example
- **AD 21"**

HCDB12-4  
 HCDB15-4  
 HCDB18-4  
 HCDB21-4  
 HCDB24-4  
 HCDB27-4  
 HCDB30-4  
 HCDB33-4  
 HCDB36-4

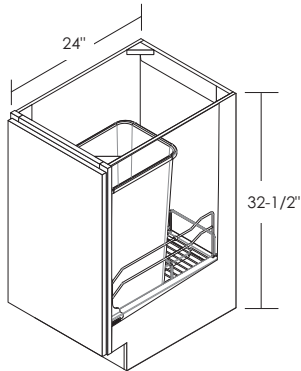
**UNIVERSAL ACCESS BASE BOOKSHELF**

- Two equal openings
- Color matching interior
- Fixed full depth shelf
- **AD 12", 18", or 21"**

HCBBS18  
 HCBBS21  
 HCBBS24  
 HCBBS27  
 HCBBS30

## UNIVERSAL ACCESS BASE CABINETRY

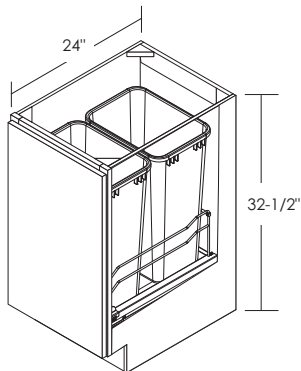
Cabinet Height: 32-1/2". Toe Kick Height: 5-1/2".



### UNIVERSAL ACCESS BASE FULL HEIGHT WITH SINGLE WASTEBASKET BIN PULL OUT

- Door is attached to wastebasket guides and opens as drawer
- 50 qt. removable trash container
- Integrated full extension soft-close guide system

HCB15FHWS



### UNIVERSAL ACCESS BASE FULL HEIGHT WITH DOUBLE WASTEBASKET BIN PULL OUT

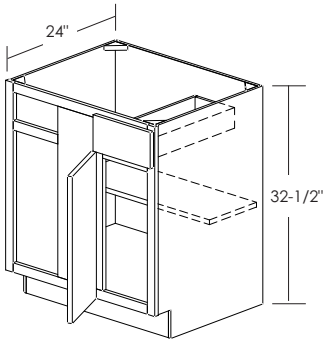
- Door is attached to wastebasket guides and opens as drawer
- Two 50 qt. removable trash containers
- Integrated full extension soft-close guide system

HCB18FHWD  
HCB21FHWD

FDS = Full depth shelf option

**UNIVERSAL ACCESS BASE CABINETS**

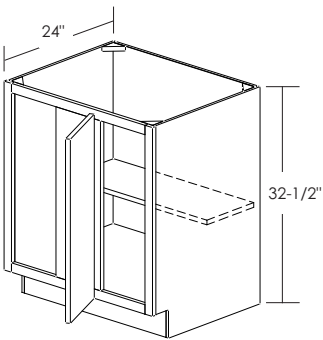
Cabinet Height: 32-1/2". Toe Kick Height: 5-1/2".



**BLIND BASE WITH DRAWER**

- Two hinges per door
- Specify L or R door hinging
- Comes with adjustable half depth shelf
- Must order filler separately
- **FDS**

HCBB39/42 L or R  
 HCBB42/45 L or R  
 HCBB45/48 L or R  
 HCBB48/51 L or R



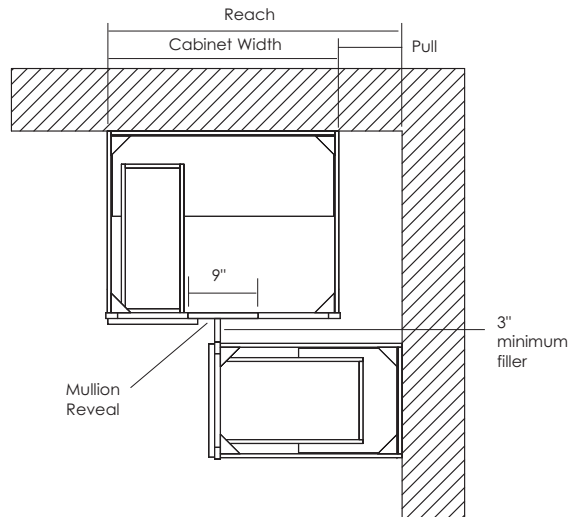
**BLIND BASE FULL HEIGHT DOOR**

- Two hinges per door
- Specify L or R door hinging
- Comes with adjustable half depth shelf
- Must order filler separately
- **FDS**
- \* **When ordered in Canyon and Shelby, the door will be a slab style**

\*HCBB36/39FH L or R  
 HCBB39/42FH L or R  
 HCBB42/45FH L or R  
 HCBB45/48FH L or R  
 HCBB48/51FH L or R

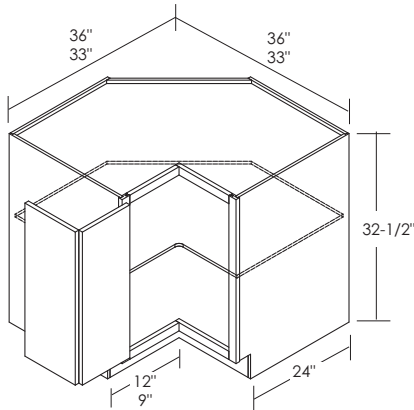
**TYPICAL BLIND BASE LAYOUT**

Item	Overall Cabinet Width	Replaces Cabinet and Filler for	Pull		Reach		Mullion/Reveal	
			Min	Max	Min	Max	Min	Max
HCBB36/39	24	9	12	15	36	39	4.5	7.5
HCBB39/42	30	12	9	12	39	42	4.5	7.5
HCBB42/45	36	15	6	9	42	45	4.5	7.5
HCBB45/48	42	18	3	6	45	48	4.5	7.5
HCBB48/51	48	21	0	3	48	51	4.5	7.5



## UNIVERSAL ACCESS BASE CABINETRY

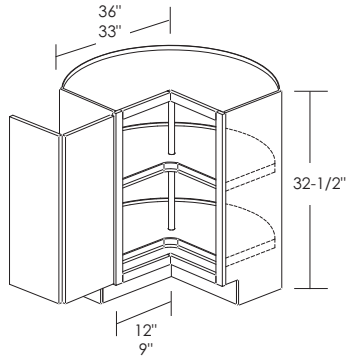
Cabinet Height: 32-1/2". Toe Kick Height: 5-1/2".



### UNIVERSAL ACCESS BASE EASY REACH

- Two hinges per door
- Bifold doors are hinged together
- Specify L or R door hinging
- Comes with one adjustable full depth shelf
- This cabinet is not intended to be used at the end of a cabinet run
- Soft-close hinge is not available for this cabinet
- **NOTE: If cabinet is installed next to an appliance that is deeper than 25", it may interfere with door opening. Use of a filler or a BRP end panel between the cabinet and appliance is recommended.**
- **HCBER33 will have slab doors for the following routed styles: Canyon, Channing, Covington, Ridgeland, Rosser, Savoy, Shelby and Vancouver**

HCBER33x24 L or R  
HCBER36x24 L or R



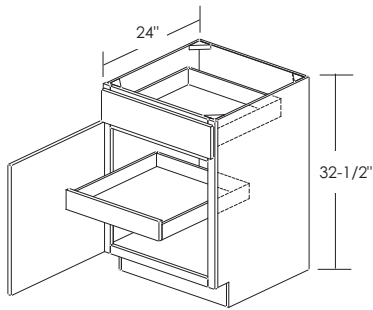
### UNIVERSAL ACCESS BASE LAZY SUSAN

- Two hinges per door
- Bifold doors are hinged together
- Specify L or R door hinging
- Two high impact 23 1/2" diameter white plastic shelves that rotate independently of each other
- Top shelf height is adjustable
- This cabinet is not intended to be used at the end of a cabinet run
- Soft-close hinge is not available for this cabinet
- **NOTE: If cabinet is installed next to an appliance that is deeper than 25", it may interfere with door opening. Use of a filler or a BRP end panel between the cabinet and appliance is recommended.**
- **HCBL33 will have slab doors for the following routed styles: Canyon, Channing, Covington, Ridgeland, Rosser, Savoy, Shelby and Vancouver**

HCBL33 L or R  
HCBL36 L or R

## UNIVERSAL ACCESS BASE CABINETRY

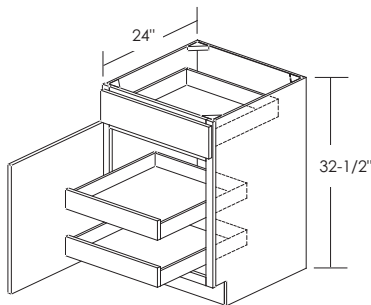
Cabinet Height: 32-1/2". Toe Kick Height: 5-1/2".



### UNIVERSAL ACCESS BASE SINGLE DOOR AND DRAWER WITH ONE ROLL OUT SHELF

- Two hinges per door
- Specify L or R door hinging
- One full depth shelf tray
- Soft-close upgrade does not apply to the roll out shelves

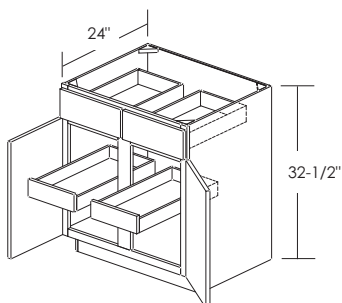
HCB12ROS L or R  
 HCB15ROS L or R  
 HCB18ROS L or R  
 HCB21ROS L or R  
 HCB24ROS L or R



### UNIVERSAL ACCESS BASE SINGLE DOOR AND DRAWER WITH TWO ROLL OUT SHELVES

- Two hinges per door
- Specify L or R door hinging
- Two full depth shelf trays
- Soft-close upgrade does not apply to the roll out shelves

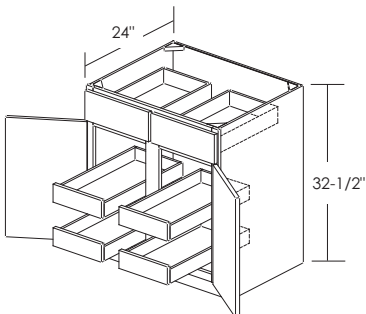
HCB12ROS2 L or R  
 HCB15ROS2 L or R  
 HCB18ROS2 L or R  
 HCB21ROS2 L or R  
 HCB24ROS2 L or R



### UNIVERSAL ACCESS BASE DOUBLE DOOR AND DRAWER WITH TWO ROLL OUT SHELVES

- Two hinges per door
- Two full depth shelf trays
- Soft-close upgrade does not apply to the roll out shelves

HCB27ROS2  
 HCB30ROS2  
 HCB33ROS2  
 HCB36ROS2  
 HCB39ROS2  
 HCB42ROS2



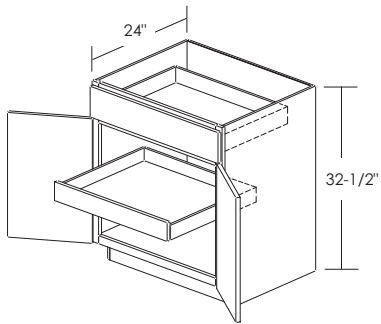
### UNIVERSAL ACCESS BASE DOUBLE DOOR AND DRAWER WITH FOUR ROLL OUT SHELVES

- Two hinges per door
- Four full depth shelf trays
- Soft-close upgrade does not apply to the roll out shelves

HCB27ROS4  
 HCB30ROS4  
 HCB33ROS4  
 HCB36ROS4  
 HCB39ROS4  
 HCB42ROS4

## UNIVERSAL ACCESS BASE CABINETRY

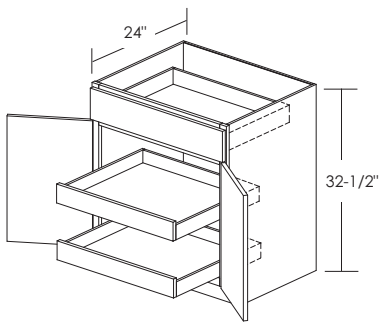
Cabinet Height: 32-1/2". Toe Kick Height: 5-1/2".



### UNIVERSAL ACCESS BASE BUTT DOOR WITH SINGLE WIDE DRAWER AND ROLL OUT SHELF

- Two hinges per door
- One full depth shelf tray
- Soft-close upgrade does not apply to the roll out shelves

HCB24BDROS  
 HCB27BDROS  
 HCB30BDROS  
 HCB33BDROS



### UNIVERSAL ACCESS BASE BUTT DOOR WITH SINGLE WIDE DRAWER AND TWO ROLL OUT SHELVES

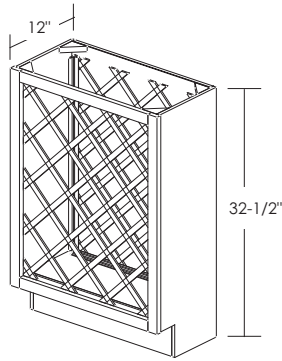
- Two hinges per door
- Two full depth shelf tray
- Soft-close upgrade does not apply to the roll out shelves

HCB24BDROS2  
 HCB27BDROS2  
 HCB30BDROS2  
 HCB33BDROS2



**UNIVERSAL ACCESS BASE CABINETRY**

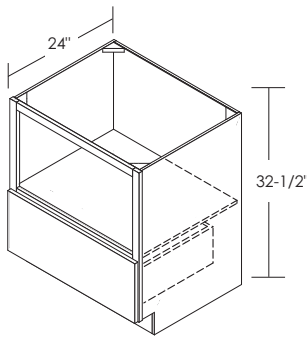
Cabinet Height: 32-1/2". Toe Kick Height: 5-1/2".



**UNIVERSAL ACCESS BASE LATTICE WINE RACK**

- Color matching interior

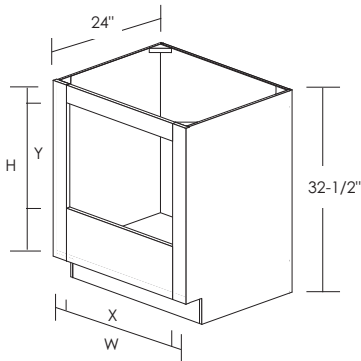
WIDTH	BOTTLE CAPACITY
HCB18WRL	9
HCB21WRL	15
HCB24WRL	15



**UNIVERSAL ACCESS BASE MICROWAVE**

- One deep bottom drawer
- Comes with a matching finished interior
- Not designed for use with trim kit

	OPENING SIZE
HCBMC27	13-3/4" H x 24" W
HCBMC30	13-3/4" H x 27" W
HCBMC33	13-3/4" H x 30" W



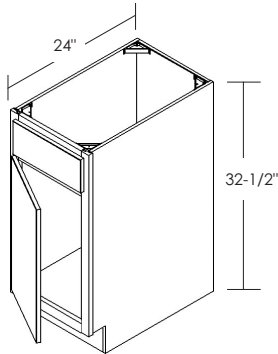
**UNIVERSAL ACCESS BASE OVEN CABINET**

- Designed for installing single oven beneath the countertop
- 3" Sfiles
- **Refer to the appliance manufacturer's specifications for required clearances and materials needed for installation**

	X = OPENING WIDTH	W = MAX CUT-OUT WIDTH	Y = OPENING HEIGHT	H = MAX CUT-OUT HEIGHT
HCBOV27	21"	25-1/2"	15"	25"
HCBOV30	24"	28-1/2"	15"	25"
HCBOV33	27"	31-1/2"	15"	25"

## UNIVERSAL ACCESS BASE CABINETRY

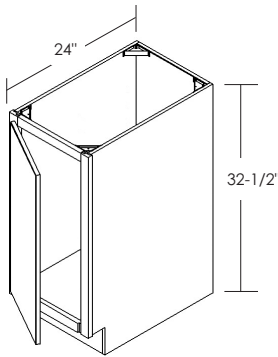
Cabinet Height: 32-1/2". Toe Kick Height: 5-1/2".



### UNIVERSAL ACCESS SINGLE DOOR SINK BASE

- Two hinges per door
- Specify L or R door hinging
- One false front
- Sink base fronts available for all sizes, order as HCSBF18 L or R for example
- **AD 15", 18", or 21"**

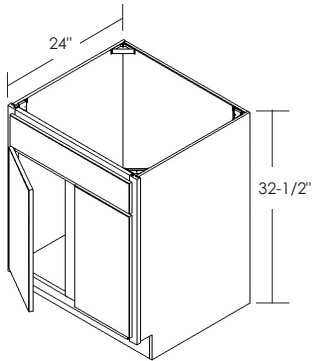
HCSB18 L or R  
HCSB21 L or R  
HCSB24 L or R



### UNIVERSAL ACCESS SINGLE DOOR FULL HEIGHT SINK BASE

- Two hinges per door
- Specify L or R door hinging
- Sink base fronts available for all sizes, order as HCSBF18FH for example
- **AD 15", 18", or 21"**

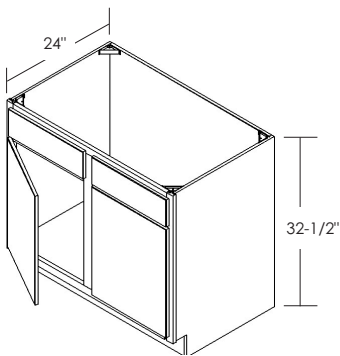
HCSB18FH L or R  
HCSB21FH L or R  
HCSB24FH L or R



### UNIVERSAL ACCESS DOUBLE DOOR SINK BASE WITH SINGLE DRAWER FRONT

- Two hinges per door
- One false front
- Sink base front available order as HCSBF27
- **AD 15", 18", or 21"**

HCSB27



### UNIVERSAL ACCESS DOUBLE DOOR SINK BASE

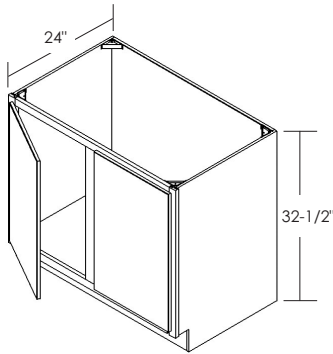
- Two hinges per door
- Two false fronts
- Sink base fronts available for all sizes, order as HCSBF30 for example
- **AD 15", 18", or 21"**

HCSB30  
HCSB33  
HCSB36  
HCSB39  
HCSB42  
HCSB45  
HCSB48

AD = Altered depth option

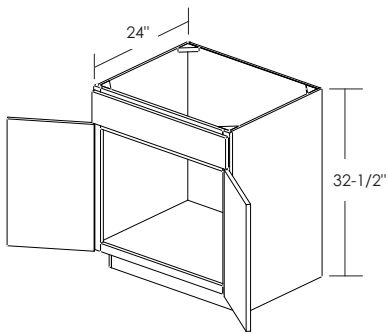
**UNIVERSAL ACCESS BASE CABINETRY**

Cabinet Height: 32-1/2". Toe Kick Height: 5-1/2".

**UNIVERSAL ACCESS DOUBLE DOOR FULL HEIGHT SINK BASE**

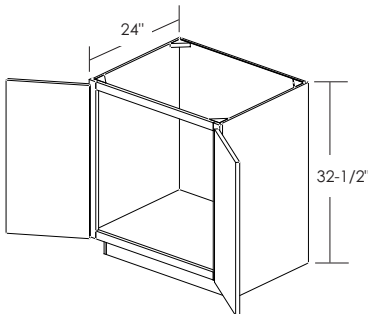
- Two hinges per door
- Sink base fronts available for all sizes, order as HCSBF30FH for example
- **AD 15", 18", or 21"**

HCSB27FH  
HCSB30FH  
HCSB33FH  
HCSB36FH  
HCSB39FH  
HCSB42FH  
HCSB45FH  
HCSB48FH

**UNIVERSAL ACCESS BUTT DOOR SINK BASE**

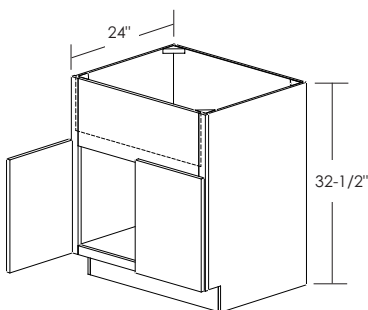
- Two hinges per door
- One wide false front
- Sink base fronts available for all sizes, order as HCSBF24BD for example
- **AD 15", 18", or 21"**

HCSB24BD  
HCSB27BD  
HCSB30BD  
HCSB33BD  
HCSB36BD

**UNIVERSAL ACCESS BUTT DOOR FULL HEIGHT SINK BASE**

- Two hinges per door
- Sink base fronts available for all sizes, order as HCSBF24BDFH for example
- **AD 15", 18", or 21"**

HCSB24BDFH  
HCSB27BDFH  
HCSB30BDFH  
HCSB33BDFH  
HCSB36BDFH

**UNIVERSAL ACCESS DEEP SINK BASE**

- Two hinges per door
- Can be used with deep sink or drop-in cook top
- Sink base fronts available for all sizes, order as HCDSBF30BD for example
- **AD 21"**
- **Refer to appliance manufacturer specifications for proper clearance and ventilation requirements**

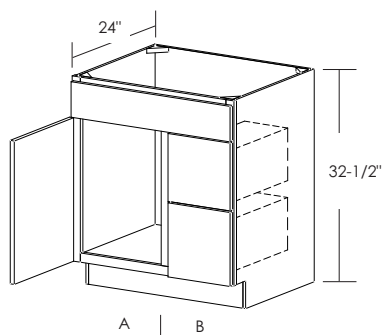
HCDSB30BD  
HCDSB33BD  
HCDSB36BD

**NEW**

AD = Altered depth option

## UNIVERSAL ACCESS BASE CABINETRY

Cabinet Height: 32-1/2". Toe Kick Height: 5-1/2".

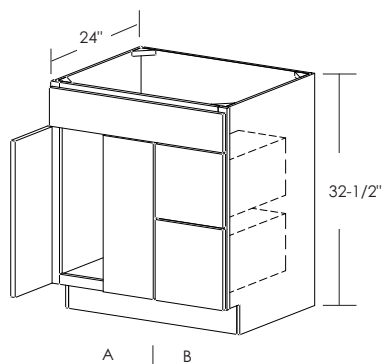


HCSDBC30L shown

### UNIVERSAL ACCESS SINGLE DOOR SINK WITH TWO DRAWER BASE COMBINATION

- Two hinges per door
- One false front on top with two deep drawers below
- Specify L or R for door hinging and sink base location
- **AD 21"**

	A	B
HCSDBC30 L or R	18"	12"

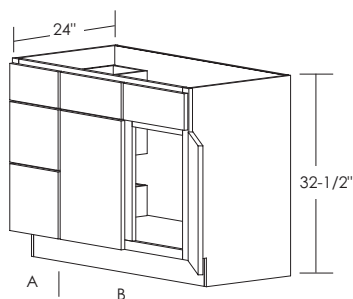


HCSDBC36BDL shown

### UNIVERSAL ACCESS BUTT DOOR SINK WITH TWO DRAWER BASE COMBINATION

- Two hinges per door
- One false front on top with two deep drawers below
- HCSDBC42BD L or R will have two false fronts on top
- Specify L or R for sink base location
- **AD 21"**

	A	B
HCSDBC36BD L or R	24"	12"
HCSDBC42BD L or R	30"	12"



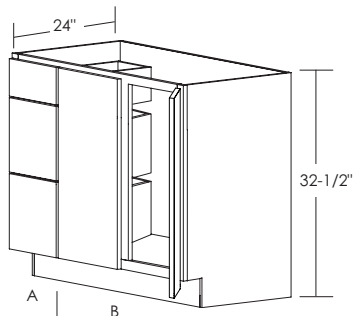
HCSDBC42R shown

### UNIVERSAL ACCESS DOUBLE DOOR SINK WITH THREE DRAWER BASE COMBINATION

- Two hinges per door
- Two false fronts and one standard drawer and two deep drawers
- Specify L or R for sink base location
- **AD 21"**

\* Comes with single false front over double doors

	A	B		A	B
HCSDBC42 L or R	12"	30"	*HCSDBC42-DB15 L or R	15"	27"
HCSDBC45 L or R	12"	33"	HCSDBC45-DB15 L or R	15"	30"
HCSDBC48 L or R	12"	36"	HCSDBC48-DB15 L or R	15"	33"
HCSDBC51 L or R	12"	39"	HCSDBC51-DB15 L or R	15"	36"
HCSDBC54 L or R	12"	42"	HCSDBC54-DB15 L or R	15"	39"



HCSDBC42FHR shown

### UNIVERSAL ACCESS FULL HEIGHT DOUBLE DOOR SINK WITH THREE DRAWER BASE COMBINATION

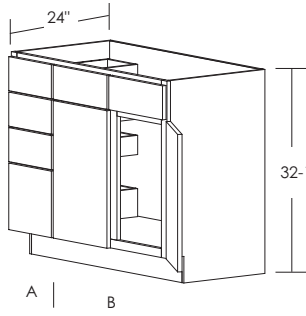
- Two hinges per door
- One standard drawer and two deep drawers
- Specify L or R for sink base location
- **AD 21"**

	A	B		A	B
HCSDBC42FH L or R	12"	30"	HCSDBC42FH-DB15 L or R	15"	27"
HCSDBC45FH L or R	12"	33"	HCSDBC45FH-DB15 L or R	15"	30"
HCSDBC48FH L or R	12"	36"	HCSDBC48FH-DB15 L or R	15"	33"
HCSDBC51FH L or R	12"	39"	HCSDBC51FH-DB15 L or R	15"	36"
HCSDBC54FH L or R	12"	42"	HCSDBC54FH-DB15 L or R	15"	39"

AD = Altered depth option

**UNIVERSAL ACCESS BASE CABINETS**

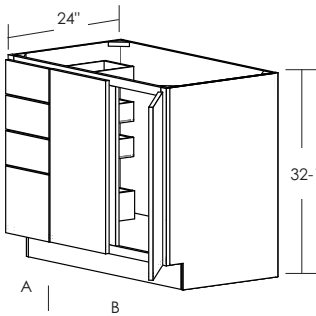
Cabinet Height: 32-1/2". Toe Kick Height: 5-1/2".



**UNIVERSAL ACCESS COMBO DOUBLE DOOR SINK WITH FOUR DRAWER BASE**

- Two hinges per door
- Two false fronts with three standard drawers and one deep drawer
- Specify L or R sink base location
- **AD 21"**
- \* Comes with single false front over double doors

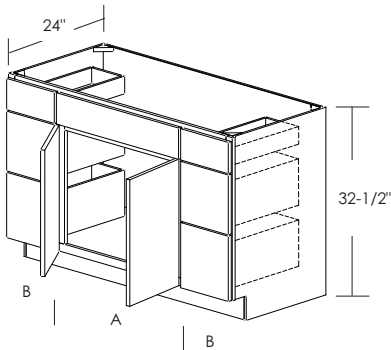
	A	B		A	B
HCS4DBC42 L or R	12"	30"	* HCS4DBC42-DB15 L or R	15"	27"
HCS4DBC45 L or R	12"	33"	HCS4DBC45-DB15 L or R	15"	30"
HCS4DBC48 L or R	12"	36"	HCS4DBC48-DB15 L or R	15"	33"
HCS4DBC51 L or R	12"	39"	HCS4DBC51-DB15 L or R	15"	36"
HCS4DBC54 L or R	12"	42"	HCS4DBC54-DB15 L or R	15"	39"



**UNIVERSAL ACCESS FULL HEIGHT COMBO DOUBLE DOOR SINK WITH FOUR DRAWER BASE**

- Two hinges per door
- Three standard drawers and one deep drawer
- Specify L or R for sink base location
- **AD 21"**

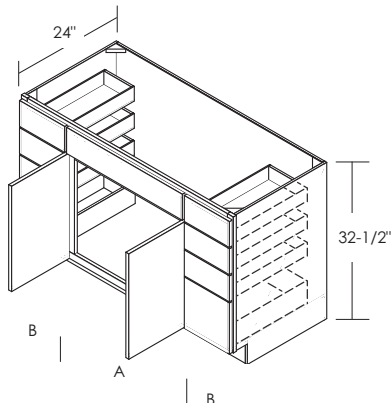
	A	B		A	B
HCS4DBC42FH L or R	12"	30"	HCS4DBC42FH-DB15 L or R	15"	27"
HCS4DBC45FH L or R	12"	33"	HCS4DBC45FH-DB15 L or R	15"	30"
HCS4DBC48FH L or R	12"	36"	HCS4DBC48FH-DB15 L or R	15"	33"
HCS4DBC51FH L or R	12"	39"	HCS4DBC51FH-DB15 L or R	15"	36"
HCS4DBC54FH L or R	12"	42"	HCS4DBC54FH-DB15 L or R	15"	39"



**UNIVERSAL ACCESS BUTT DOOR SINK WITH SIX DRAWERS COMBINATION**

- Two hinges per door
- One standard depth drawer and two deep drawers on each side with one false front center
- **AD 21"**

	A	B
HCSDBC48BD	24"	12"
HCSDBC54BD	30"	12"
HCSDBC54BD-DB15	24"	15"
HCSDBC60BD	30"	15"



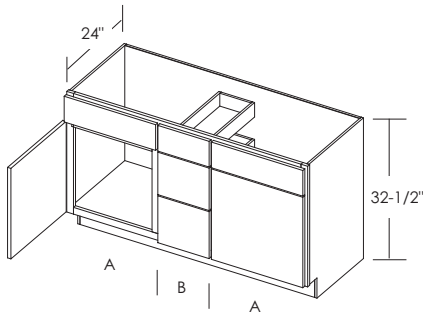
**UNIVERSAL ACCESS BUTT DOOR SINK WITH EIGHT DRAWERS**

- Two hinges per door
- Three standard drawers and one deep drawer on each side with one false front center
- **AD 21"**

	A	B
HCS4DBC48BD	24"	12"
HCS4DBC54BD	30"	12"
HCS4DBC54BD-DB15	24"	15"
HCS4DBC60BD	30"	15"

**UNIVERSAL ACCESS BASE CABINETRY**

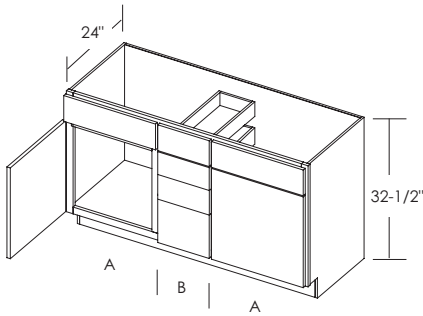
Cabinet Height: 32-1/2". Toe Kick Height: 5-1/2".



**UNIVERSAL ACCESS DOUBLE SINK BASE WITH THREE CENTER DRAWERS COMBINATION**

- Double vanities separated by a three drawer base in the center
- Two hinges per door
- One standard depth drawer and two deep drawers
- **AD 21"**

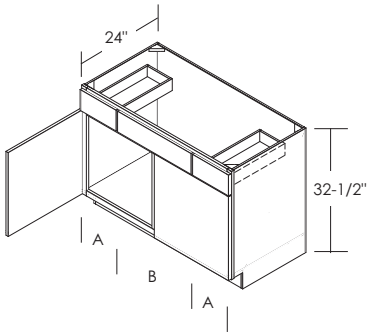
	A	B	A
HCSDBC54	21"	12"	21"
HCSDBC60	24"	12"	24"



**UNIVERSAL ACCESS DOUBLE SINK BASE WITH FOUR CENTER DRAWERS COMBINATION**

- Double vanities separated by a four drawer base in the center
- Two hinges per door
- Three standard depth drawers and one deep drawers
- **AD 21"**

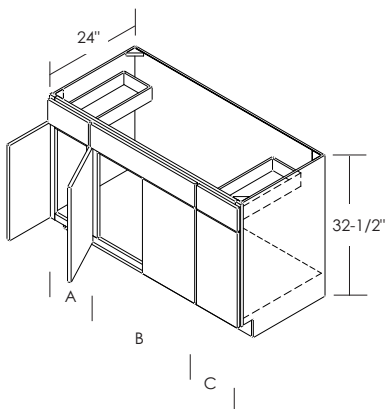
	A	B	A
HCS4DBC54	21"	12"	21"
HCS4DBC60	24"	12"	24"



**UNIVERSAL ACCESS DOUBLE DOOR SINK BASE COMBINATION**

- Two hinges per door
- Two standard depth drawers on each side with one false front center
- **AD 21"**
- \* **The narrow drawer fronts will be slab when Fulton is ordered**

	A	B	A
* HCSBC36	9"	18"	9"
* HCSBC39	9"	21"	9"
HCSBC42	12"	18"	12"
HCSBC45	12"	21"	12"
HCSBC48	12"	24"	12"



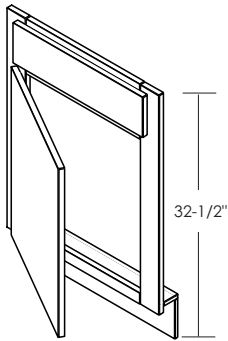
**UNIVERSAL ACCESS BUTT DOOR SINK BASE COMBINATION**

- Two hinges per door
- One standard depth drawer on each side with one false front center
- **AD 21"**

	A	B	C
HCSBC54BD	12"	30"	12"
HCSBC60BD	15"	30"	15"

## UNIVERSAL ACCESS BASE CABINETRY

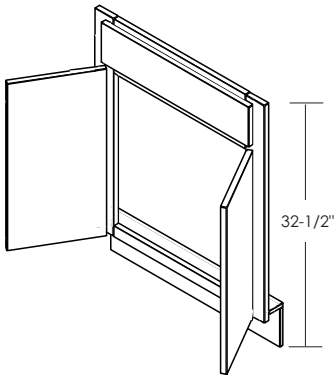
Cabinet Height: 32-1/2". Toe Kick Height: 5-1/2".



### UNIVERSAL ACCESS SINGLE DOOR TRIMMABLE SINK FRONTS

- Two hinges per door
- Specify L or R door hinging
- Trimmable 1-1/2" each side
- One false front

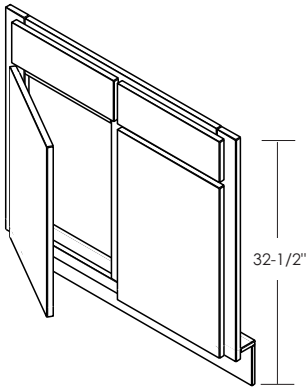
HCSF12T L or R  
HCSF15T L or R  
HCSF18T L or R  
HCSF21T L or R  
HCSF24T L or R



### UNIVERSAL ACCESS BUTT DOOR TRIMMABLE SINK FRONTS

- Two hinges per door
- Trimmable 1-1/2" each side
- One false front

HCSF27BDT  
HCSF30BDT  
HCSF33BDT  
HCSF36BDT



### UNIVERSAL ACCESS DOUBLE DOOR TRIMMABLE SINK FRONTS

- Two hinges per door
- Trimmable 1-1/2" each side
- Two false fronts

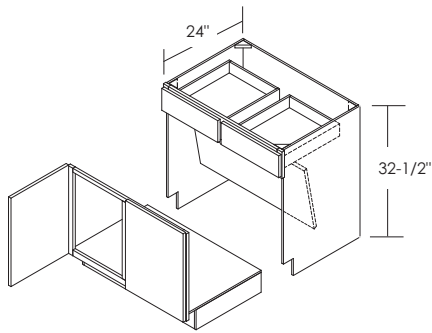
\*HCSF30T  
HCSF33T  
HCSF36T  
HCSF39T  
HCSF42T  
HCSF45T  
HCSF48T

\*HCSF30T has one false front

AD = Altered depth option

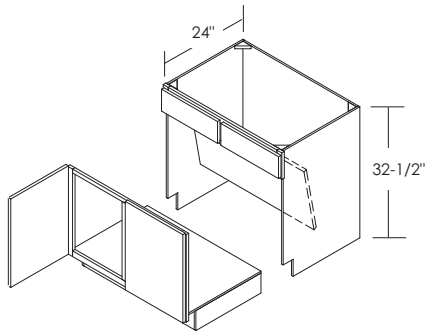
**UNIVERSAL ACCESS BASE CABINETRY**

Cabinet Height: 32-1/2". Toe Kick Height: 5-1/2".

**UNIVERSAL ACCESS ACCESSIBLE BASE**

- Two hinges per door
- Two drawers
- Comes standard with a matching interior
- **AD 21"**

HCACB33  
 HCACB36  
 HCACB39  
 HCACB42

**UNIVERSAL ACCESS ACCESSIBLE SINK BASE**

- Two hinges per door
- Two false fronts
- Comes standard with a matching interior
- **AD 21"**

HCACSB33  
 HCACSB36  
 HCACSB39  
 HCACSB42  
 HCACSB45  
 HCACSB48

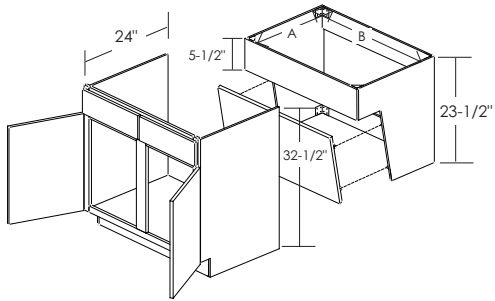


AD = Altered depth option

# UNIVERSAL ACCESS BASE CABINETRY

Cabinet Height: 32-1/2". Toe Kick Height: 5-1/2".

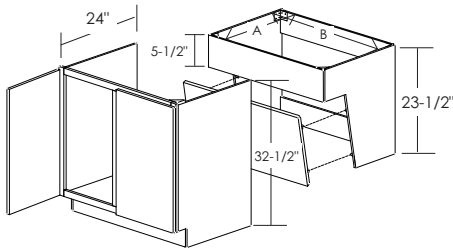
## UFAS UNIVERSAL ACCESS SINK BASE AND INSERT



- Two hinges per door
- Two false fronts
- Removable option when 30" or less is available
- Outer cabinet is removable when needed to leave UFAS insert attached to wall
- Designed to meet minimum adaptable clearance requirements
- Customer should confirm sink opening dimension requirements. A rear overflow sink maybe necessary
- Insert can be trimmed in field to meet local codes
- Baffle matches exterior finish
- **AD 21"**

Cabinet	Depth	Sink Clearance	
		A	B
UFASHCSB30	24"	21-1/2"	27"
UFASHCSB33	21"	18-1/2"	27"
UFASHCSB36	24"	21-1/2"	30"
	21"	18-1/2"	30"
	24"	21-1/2"	33"
	21"	18-1/2"	33"

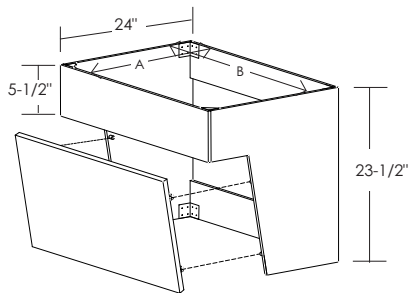
## UFAS UNIVERSAL ACCESS FULL HEIGHT SINK BASE AND INSERT



- Two hinges per door
- Removable option when 30" or less is available
- Outer cabinet is removable when needed to leave UFAS insert attached to wall
- Recommended installation height of 32-1/2" to provide required knee and toe clearance
- Designed to meet minimum adaptable clearance requirements
- Customer should confirm sink opening dimension requirements. A rear overflow sink maybe necessary
- Insert can be trimmed in field to meet local codes
- Baffle matches exterior finish
- **AD 21"**

Cabinet	Depth	Sink Clearance	
		A	B
UFASHCSB30FH	24"	21-1/2"	27"
	21"	18-1/2"	27"
UFASHCSB33FH	24"	21-1/2"	30"
	21"	18-1/2"	30"
UFASHCSB36FH	24"	21-1/2"	33"
	21"	18-1/2"	33"

## UFAS UNIVERSAL ACCESS SINK BASE INSERT ONLY

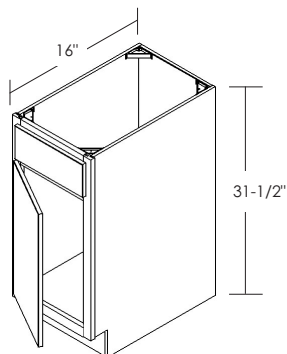


- Baffle is removable for plumbing access
- Recommended installation height of 32-1/2" to provide required knee and toe clearance
- Customer should confirm sink opening dimension requirements. A rear overflow sink may be necessary
- Insert can be trimmed in field to meet local codes
- Baffle matches exterior finish
- **AD 21"**

Cabinet	Depth	Sink Clearance	
		A	B
UFASIOHCSB30	24"	22-1/2"	28-1/2"
	21"	19-1/2"	28-1/2"
UFASIOHCSB33	24"	22-1/2"	31-1/2"
	21"	19-1/2"	31-1/2"
UFASIOHCSB36	24"	22-1/2"	34-1/2"
	21"	19-1/2"	34-1/2"

**VANITY BASE CABINETRY**

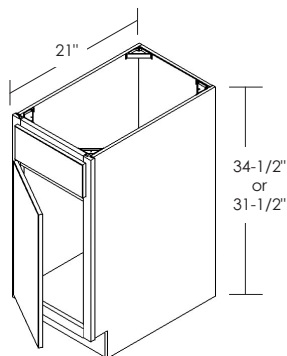
Cabinet Height: 31-1/2" or 34-1/2". Toe Kick Height: 4-1/2".



**SINGLE DOOR VANITY SINK BASE**

- Two hinges per door
- Specify L or R door hinging
- One false front
- **NTK**

VS1816 L or R



**SINGLE DOOR VANITY SINK BASE**

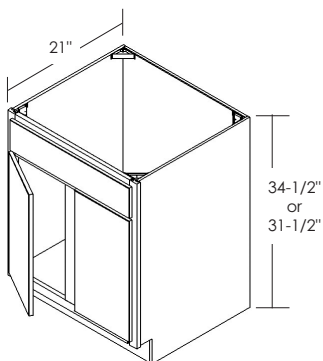
- Two hinges per door
- Specify L or R door hinging
- One false front
- Vanity sink base fronts available for all sizes, order as VSBF18 L or R, or VSBF18H L or R for example
- **AD 18"**
- **NTK**

**31-1/2" HIGH**

VSB18 L or R  
 VSB21 L or R  
 VSB24 L or R

**34-1/2" HIGH**

VSB18H L or R  
 VSB21H L or R  
 VSB24H L or R



**DOUBLE DOOR VANITY SINK BASE WITH SINGLE DRAWER FRONT**

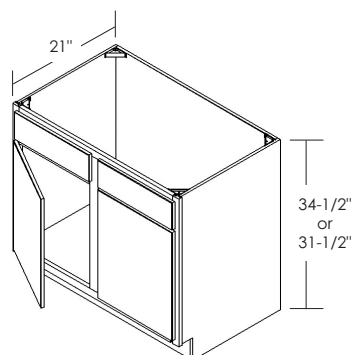
- Two hinges per door
- One false front
- Vanity sink base fronts available, order as VSBF27 or VSBF27FH
- **AD 18"**
- **NTK**

**31-1/2" HIGH**

VSB27

**34-1/2" HIGH**

VSB27H



**DOUBLE DOOR VANITY SINK BASE**

- Two hinges per door
- Two false fronts
- Vanity sink base fronts available for all sizes, order as VSBF30 or VSBF30H for example
- **AD 18"**
- **NTK**

**31-1/2" HIGH**

VSB30  
 VSB33  
 VSB36  
 VSB39  
 VSB42  
 VSB45  
 VSB48

**34-1/2" HIGH**

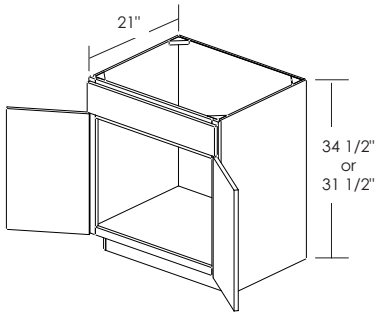
VSB30H  
 VSB33H  
 VSB36H  
 VSB39H  
 VSB42H  
 VSB45H  
 VSB48H

**AD** = Altered depth option

**NTK** = No toe kick option

## VANITY BASE CABINETRY

Cabinet Height: 31-1/2" or 34-1/2". Toe Kick Height: 4-1/2".



### BUTT DOOR VANITY SINK BASE

- Two hinges per door
- One wide false front
- Vanity sink base fronts available for all sizes, order as VSBF24BD or VSBF24BDH for example
- **AD 18"**
- **NTK**

#### 31 1/2" HIGH

VSB24BD  
VSB27BD  
VSB30BD  
VSB33BD  
VSB36BD

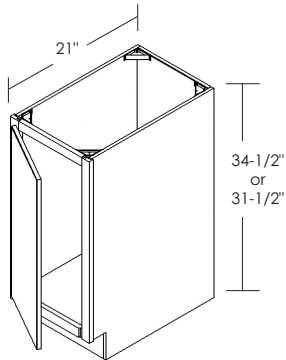
#### 34 1/2" HIGH

VSB24BDH  
VSB27BDH  
VSB30BDH  
VSB33BDH  
VSB36BDH

AD = Altered depth option  
 NTK = No toe kick option

**VANITY BASE CABINETRY**

Cabinet Height: 31-1/2" or 34-1/2". Toe Kick Height: 4-1/2".



**SINGLE DOOR FULL HEIGHT VANITY BASE**

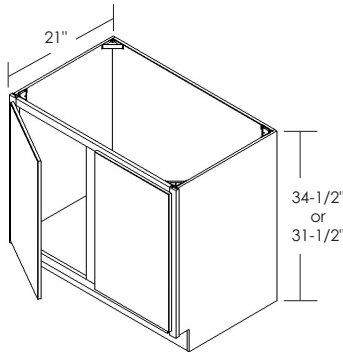
- Two hinges per door
- Specify L or R door hinging
- Vanity base fronts available for all sizes, order as VBF09FH or VBF09HFH for example
- **AD 18"**
- **NTK**
- \* **When ordered in Canyon and Shelby, the door will be a slab style**

**31-1/2" HIGH**

- \* VB09FH L or R
- VB12FH L or R
- VB15FH L or R
- VB18FH L or R
- VB21FH L or R
- VB24FH L or R

**34-1/2" HIGH**

- \* VB09HFH L or R
- VB12HFH L or R
- VB15HFH L or R
- VB18HFH L or R
- VB21HFH L or R
- VB24HFH L or R



**DOUBLE DOOR FULL HEIGHT VANITY BASE**

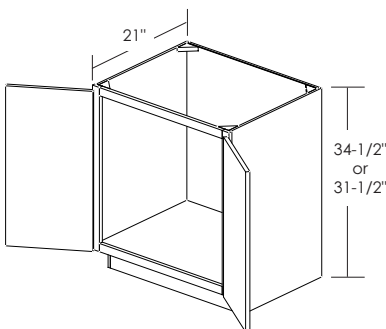
- Two hinges per door
- Vanity base fronts available for all sizes, order as VBF27FH or VBF27HFH for example
- **AD 18"**
- **NTK**

**31-1/2" HIGH**

- VB27FH
- VB30FH
- VB33FH
- VB36FH
- VB39FH
- VB42FH
- VB45FH
- VB48FH

**34-1/2" HIGH**

- VB27HFH
- VB30HFH
- VB33HFH
- VB36HFH
- VB39HFH
- VB42HFH
- VB45HFH
- VB48HFH



**BUTT DOOR FULL HEIGHT VANITY BASE**

- Two hinges per door
- Vanity base fronts available for all sizes, order as VBF24BDFH or VBF24BDHFH for example
- **AD 18"**
- **NTK**

**31-1/2" HIGH**

- VB24BDFH
- VB27BDFH
- VB30BDFH
- VB33BDFH
- VB36BDFH

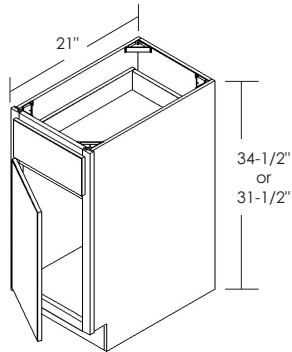
**34-1/2" HIGH**

- VB24BDHFH
- VB27BDHFH
- VB30BDHFH
- VB33BDHFH
- VB36BDHFH

NTK = No toe kick option

## VANITY BASE CABINETRY

Cabinet Height: 31-1/2" or 34-1/2". Toe Kick Height: 4-1/2".



### VANITY BASE SINGLE DOOR AND DRAWER

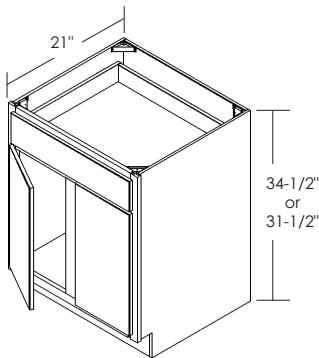
- Two hinges per door
- Specify L or R door hinging
- Vanity base fronts available for all sizes, order as VBF12 L or R or VBF12H L or R for example
- **NTK**

#### 31-1/2" HIGH

VB12 L or R  
VB15 L or R  
VB18 L or R  
VB21 L or R  
VB24 L or R

#### 34-1/2" HIGH

VB12H L or R  
VB15H L or R  
VB18H L or R  
VB21H L or R  
VB24H L or R



### VANITY BASE DOUBLE DOOR AND SINGLE DRAWER

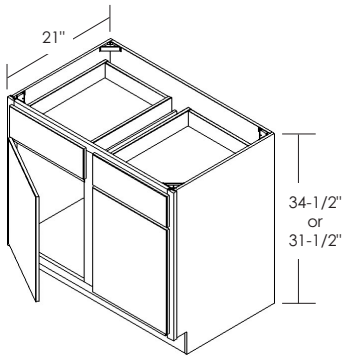
- Two hinges per door
- Vanity base fronts available for all sizes, order as VBF27 or VBF27H for example
- **NTK**

#### 31-1/2" HIGH

VB27

#### 34-1/2" HIGH

VB27H



### VANITY BASE DOUBLE DOOR AND DOUBLE DRAWER

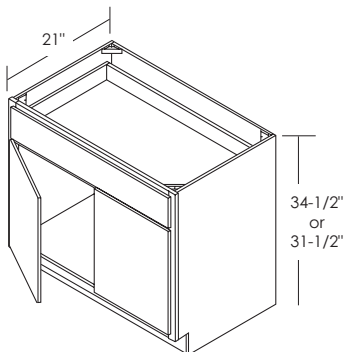
- Two hinges per door
- Vanity base fronts available for all sizes, order as VBF30 or VBF30H for example
- **NTK**

#### 31-1/2" HIGH

VB30  
VB33  
VB36  
VB39  
VB42  
VB45  
VB48

#### 34-1/2" HIGH

VB30H  
VB33H  
VB36H  
VB39H  
VB42H  
VB45H  
VB48H



### VANITY BASE BUTT DOOR AND SINGLE WIDE DRAWER

- Two hinges per door
- Vanity base fronts available for all sizes, order as VBF24BD or VBF24BDH for example
- **NTK**

#### 31-1/2" HIGH

VB24BD  
VB27BD  
VB30BD  
VB33BD  
VB36BD

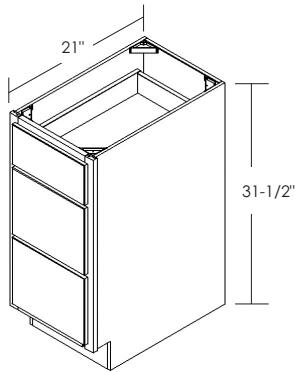
#### 34-1/2" HIGH

VB24BDH  
VB27BDH  
VB30BDH  
VB33BDH  
VB36BDH

NTK = No toe kick option

**VANITY BASE CABINETRY**

Cabinet Height: 31-1/2" or 34-1/2". Toe Kick Height: 4-1/2".

**THREE DRAWER VANITY BASE**

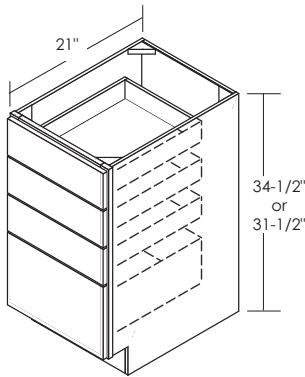
- One standard height drawer on top and two deep drawers on bottom
- Drawer base fronts available for all sizes, order as VDBF12-3 or VDBF12H-3 for example
- **NTK**

**31-1/2" HIGH**

VDB12-3  
VDB15-3  
VDB18-3  
VDB21-3  
VDB24-3  
VDB27-3  
VDB30-3  
VDB33-3  
VDB36-3

**34-1/2" HIGH**

VDB12H-3  
VDB15H-3  
VDB18H-3  
VDB21H-3  
VDB24H-3  
VDB27H-3  
VDB30H-3  
VDB33H-3  
VDB36H-3

**FOUR DRAWER VANITY BASE**

- Three standard height drawers on top and one deep bottom drawer
- Drawer base fronts available for all sizes, order as VDBF12-4 or VDBF12H-4 for example
- **NTK**

**31-1/2" HIGH**

VDB12-4  
VDB15-4  
VDB18-4  
VDB21-4  
VDB24-4  
VDB27-4  
VDB30-4  
VDB33-4  
VDB36-4

**34-1/2" HIGH**

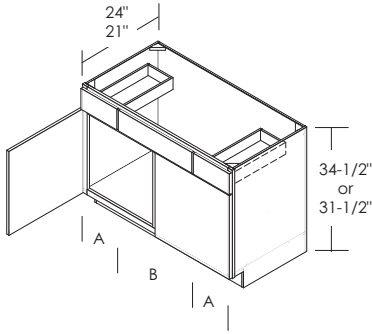
VDB12H-4  
VDB15H-4  
VDB18H-4  
VDB21H-4  
VDB24H-4  
VDB27H-4  
VDB30H-4  
VDB33H-4  
VDB36H-4

AD = Altered depth option

**VANITY BASE CABINETRY**

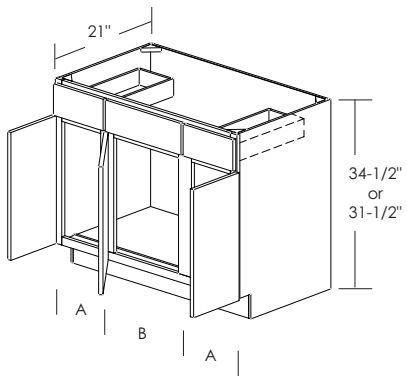
Cabinet Height: 31-1/2" or 34-1/2". Toe Kick Height: 4-1/2".

**COMBO DOUBLE DOOR VANITY SINK BASE WITH TWO DRAWERS**



- Two hinges per door
- Two standard depth drawers on each side with one false front center
- **AD 24"**
- **The narrow drawer fronts will be slab when Fulton is ordered**

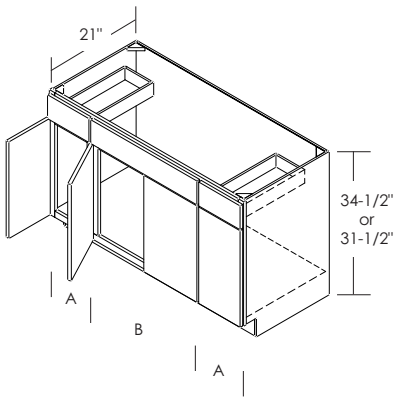
	<b>31-1/2" HIGH</b>		<b>34-1/2" HIGH</b>	
	A	B	A	
*CVSB36			*CVSB36H	
*CVSB39			*CVSB39H	
CVSB42			CVSB42H	
CVSB45			CVSB45H	
CVSB48			CVSB48H	
	A	B	A	
*CVSB36/CVSB36H	9"	18"	9"	
*CVSB39/CVSB39H	9"	21"	9"	
CVSB42/CVSB42H	12"	18"	12"	
CVSB45/CVSB45H	12"	21"	12"	
CVSB48/CVSB48H	12"	24"	12"	



**COMBO THREE DOOR VANITY SINK BASE WITH TWO DRAWERS**

- Two hinges per door
- Two standard depth drawers on each side with one false front center

	<b>31-1/2" HIGH</b>		<b>34-1/2" HIGH</b>	
	A	B	A	
CVB48			CVB48H	
	A	B	A	
CVB48/CVB48H	15"	18"	15"	



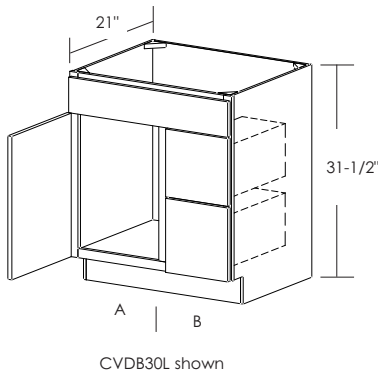
**COMBO FOUR DOOR VANITY SINK BASE WITH TWO DRAWERS**

- Two hinges per door
- Two standard depth drawers on each side with one false front center

	<b>31-1/2" HIGH</b>		<b>34-1/2" HIGH</b>	
	A	B	A	
CVB54BD			CVB54BDH	
CVB60BD			CVB60BDH	
	A	B	A	
CVB54BD/CVB54BDH	12"	30"	12"	
CVB60BD/CVB60BDH	15"	30"	15"	

**VANITY BASE CABINETS**

Cabinet Height: 31-1/2" or 34-1/2". Toe Kick Height: 4-1/2".

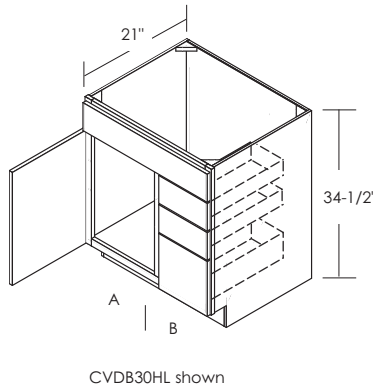


**COMBO VANITY SINGLE DOOR SINK WITH TWO DRAWER BASE**

- Two hinges per door
- One false front on top with two deep drawers below
- Specify L or R for door hinging and sink base location

**31-1/2" HIGH**

	A	B
CVDB30 L or R	18"	12"

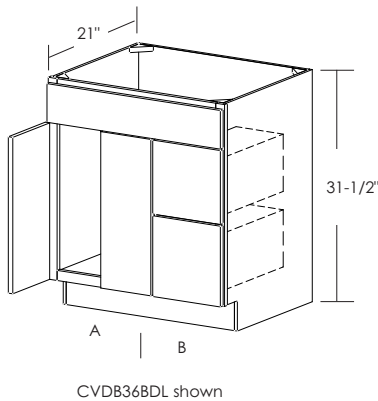


**TALL COMBO VANITY SINGLE DOOR SINK WITH THREE DRAWER BASE**

- Two hinges per door
- One false front with two standard drawers and one deep drawer
- Specify L or R for door hinging and sink base location

**34-1/2" HIGH**

	A	B
CVDB30H L or R	18"	12"

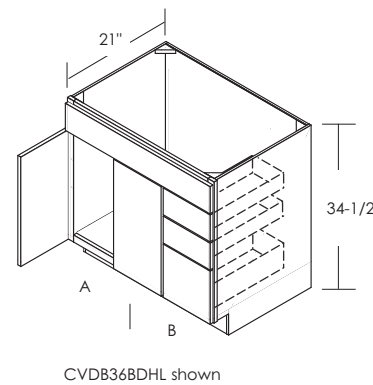


**COMBO VANITY BUTT DOOR SINK WITH TWO DRAWER BASE**

- Two hinges per door
- One false front on top with two deep drawers below
- CVDB42BD L or R will have two false fronts on top
- Specify L or R for sink base location

**31-1/2" HIGH**

	A	B
CVDB36BD L or R	24"	12"
CVDB42BD L or R	30"	12"



**TALL COMBO VANITY BUTT DOOR SINK WITH THREE DRAWER BASE**

- Two hinges per door
- One false front with two standard drawers and one deep drawer
- CVDB42BDH L or R will have two false fronts on top
- Specify L or R for sink base location

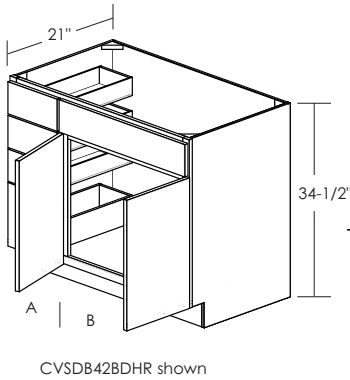
**34-1/2" HIGH**

	A	B
CVDB36BDH L or R	24"	12"
CVDB42BDH L or R	30"	12"



VANITY BASE CABINETS

Cabinet Height: 31-1/2" or 34-1/2". Toe Kick Height: 4-1/2".



TALL COMBO VANITY BUTT DOOR SINK WITH FOUR DRAWER BASE

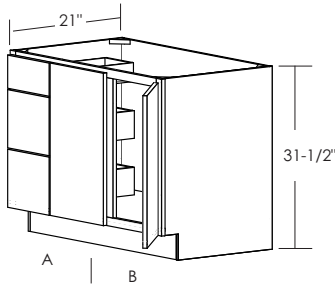
- Two hinges per door
- One false front with three standard drawers and one deep drawer
- Specify L or R for sink base location

34-1/2" HIGH

	A	B		A	B
CVSDB36BDH L or R	12"	24"	CVSDB39BDH-DB15 L or R	15"	24"
CVSDB39BDH L or R	12"	27"	CVSDB42BDH-DB15 L or R	15"	27"
CVSDB42BDH L or R	12"	30"	CVSDB45BDH-DB15 L or R	15"	30"
CVSDB45BDH L or R	12"	33"	CVSDB48BDH-DB15 L or R	15"	33"
CVSDB48BDH L or R	12"	36"	CVSDB51BDH-DB15 L or R	15"	36"

FULL HEIGHT COMBO VANITY DOUBLE DOOR SINK WITH THREE DRAWER BASE

- Two hinges per door
- One standard drawer and two deep drawers
- Specify L or R for sink base location



STANDARD VANITY HEIGHT - 31-1/2" HIGH

	A	B
CVSDB42FH L or R	12"	30"
CVSDB45FH L or R	12"	33"
CVSDB48FH L or R	12"	36"
CVSDB51FH L or R	12"	39"
CVSDB54FH L or R	12"	42"

DB15 COMBINATIONS

	A	B
CVSDB42FH-DB15 L or R	15"	27"
CVSDB45FH-DB15 L or R	15"	30"
CVSDB48FH-DB15 L or R	15"	33"
CVSDB51FH-DB15 L or R	15"	36"
CVSDB54FH-DB15 L or R	15"	39"

TALL VANITY HEIGHT - 34-1/2" HIGH

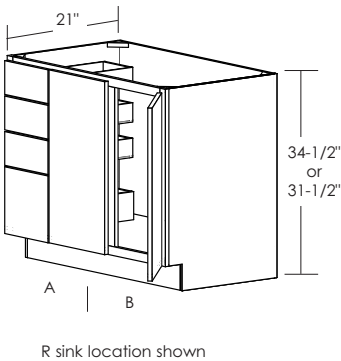
	A	B
CV3SDB36HFH L or R	12"	24"
CV3SDB39HFH L or R	12"	27"
CV3SDB42HFH L or R	12"	30"
CV3SDB45HFH L or R	12"	33"
CV3SDB48HFH L or R	12"	46"

DB15 COMBINATIONS

	A	B
CV3SDB39HFH-DB15 L or R	15"	24"
CV3SDB42HFH-DB15 L or R	15"	27"
CV3SDB45HFH-DB15 L or R	15"	30"
CV3SDB48HFH-DB15 L or R	15"	33"

FULL HEIGHT COMBO VANITY DOUBLE DOOR SINK WITH FOUR DRAWER BASE

- Two hinges per door
- Three standard drawers and one deep drawer
- Specify L or R for sink base location



STANDARD VANITY HEIGHT 31-1/2" HIGH

	A	B
CVS4DB42FH L or R	12"	30"
CVS4DB45FH L or R	12"	33"
CVS4DB48FH L or R	12"	36"
CVS4DB51FH L or R	12"	39"
CVS4DB54FH L or R	12"	42"

DB15 COMBINATIONS

	A	B
CVS4DB42FH-DB15 L or R	15"	27"
CVS4DB45FH-DB15 L or R	15"	30"
CVS4DB48FH-DB15 L or R	15"	33"
CVS4DB51FH-DB15 L or R	15"	36"
CVS4DB54FH-DB15 L or R	15"	39"

TALL VANITY HEIGHT 34-1/2" HIGH

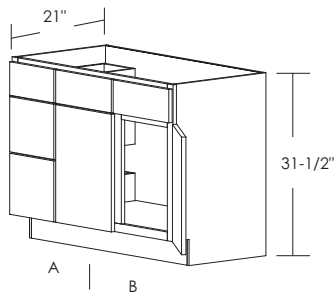
	A	B
CVSDB42HFH L or R	12"	30"
CVSDB45HFH L or R	12"	33"
CVSDB48HFH L or R	12"	36"
CVSDB51HFH L or R	12"	39"
CVSDB54HFH L or R	12"	42"

DB15 COMBINATIONS

	A	B
CVSDB42HFH-DB15 L or R	15"	27"
CVSDB45HFH-DB15 L or R	15"	30"
CVSDB48HFH-DB15 L or R	15"	33"
CVSDB51HFH-DB15 L or R	15"	36"
CVSDB54HFH-DB15 L or R	15"	39"

**VANITY BASE CABINERY**

Cabinet Height: 31-1/2" or 34-1/2". Toe Kick Height: 4-1/2".



CVSDB42R shown

**COMBO VANITY DOUBLE DOOR SINK WITH THREE DRAWER BASE**

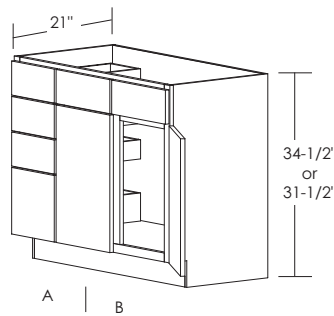
- Two hinges per door
- Two false fronts with one standard drawer and two deep drawers
- Specify L or R for sink base location
- \* Comes with single false front over double doors

**31-1/2" HIGH**

	A	B
CVSDB42 L or R	12"	30"
CVSDB45 L or R	12"	33"
CVSDB48 L or R	12"	36"
CVSDB51 L or R	12"	39"
CVSDB54 L or R	12"	42"

**DB15 COMBINATIONS**

	A	B
* CVSDB42-DB15 L or R	15"	27"
CVSDB45-DB15 L or R	15"	30"
CVSDB48-DB15 L or R	15"	33"
CVSDB51-DB15 L or R	15"	36"
CVSDB54-DB15 L or R	15"	39"



R sink location shown

**COMBO VANITY DOUBLE DOOR SINK WITH FOUR DRAWER BASE**

- Two hinges per door
- Two false fronts with three standard drawers and one deep drawer
- Specify L or R for sink base location
- \* Comes with single false front over double doors

**STANDARD VANITY HEIGHT  
31-1/2" HIGH**

	A	B
CVS4DB42 L or R	12"	30"
CVS4DB45 L or R	12"	33"
CVS4DB48 L or R	12"	36"
CVS4DB51 L or R	12"	39"
CVS4DB54 L or R	12"	42"

**DB15 COMBINATIONS**

	A	B
* CVS4DB42-DB15 L or R	15"	27"
CVS4DB45-DB15 L or R	15"	30"
CVS4DB48-DB15 L or R	15"	33"
CVS4DB51-DB15 L or R	15"	36"
CVS4DB54-DB15 L or R	15"	39"

**TALL VANITY HEIGHT  
34-1/2" HIGH**

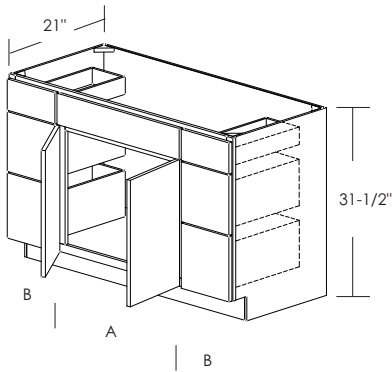
	A	B
CVSDB42H L or R	12"	30"
CVSDB45H L or R	12"	33"
CVSDB48H L or R	12"	36"
CVSDB51H L or R	12"	39"
CVSDB54H L or R	12"	42"

**DB15 COMBINATIONS**

	A	B
* CVSDB42H-DB15 L or R	15"	27"
CVSDB45H-DB15 L or R	15"	30"
CVSDB48H-DB15 L or R	15"	33"
CVSDB51H-DB15 L or R	15"	36"
CVSDB54H-DB15 L or R	15"	39"

**VANITY BASE CABINETRY**

Cabinet Height: 31-1/2" or 34-1/2". Toe Kick Height: 4-1/2".

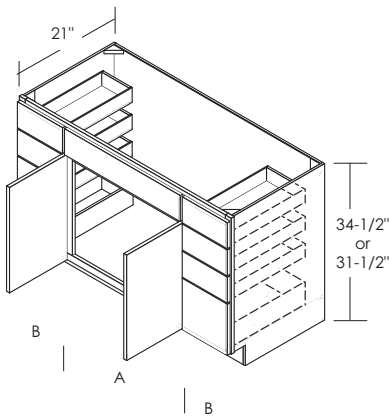


**COMBO VANITY BUTT DOOR SINK WITH SIX DRAWERS**

- Two hinges per door
- One standard depth drawer and two deep drawers on each side with one false front center

**31-1/2" HIGH**

	A	B
CVDB48BD	24"	12"
CVDB54BD	30"	12"
CVDB54BD-DB15	24"	15"
CVDB60BD	30"	15"



**COMBO VANITY BUTT DOOR SINK WITH EIGHT DRAWERS**

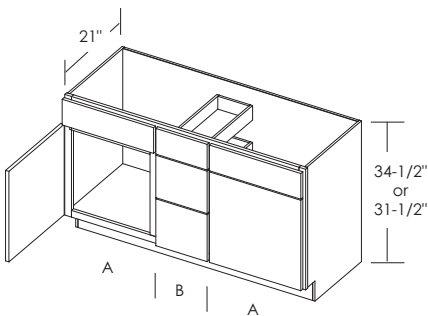
- Two hinges per door
- Three standard drawers and one deep drawer on each side with one false front center

**STANDARD VANITY HEIGHT  
31-1/2" HIGH**

	A	B
CV4DB48BD	24"	12"
CV4DB54BD	30"	12"
CV4DB54BD-DB15	24"	15"
CV4DB60BD	30"	15"

**TALL VANITY HEIGHT  
34-1/2" HIGH**

	A	B
CVDB48BDH	24"	12"
CVDB54BDH	30"	12"
CVDB54BDH-DB15	24"	15"
CVDB60BDH	30"	15"



**COMBO DOUBLE VANITY SINK BASE WITH THREE CENTER DRAWERS**

- Double vanities separated by a three drawer base in the center
- Two hinges per door
- One standard depth drawer and two deep drawers

**31-1/2" HIGH**

CVDSDB54  
CVDSDB60

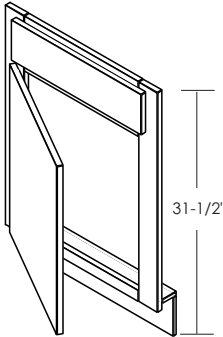
**34-1/2" HIGH**

CVDSDB54H  
CVDSDB60H

	A	B	A
CVDSDB54 / CVDSDB54H	21"	12"	21"
CVDSDB60 / CVDSDB60H	24"	12"	24"

## VANITY BASE CABINETRY

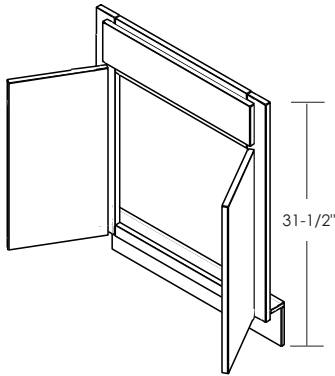
Cabinet Height: 31-1/2". Toe Kick Height: 4-1/2".



### VANITY SINGLE DOOR TRIMMABLE SINK FRONTS

- Two hinges per door
- Specify L or R door hinging
- Trimmable 1-1/2" each side
- One false front

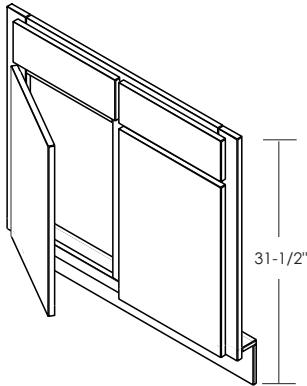
VSF12T L or R  
 VSF15T L or R  
 VSF18T L or R  
 VSF21T L or R  
 VSF24T L or R



### VANITY BUTT DOOR TRIMMABLE SINK FRONTS

- Two hinges per door
- Trimmable 1-1/2" each side
- One false front

VSF27BDT  
 VSF30BDT  
 VSF33BDT  
 VSF36BDT



### VANITY DOUBLE DOOR TRIMMABLE SINK FRONTS

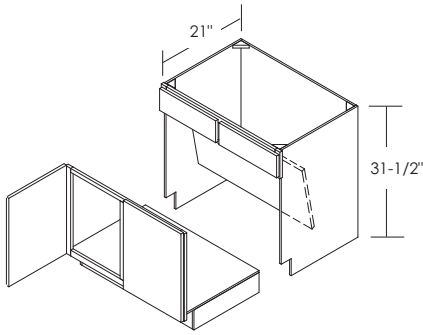
- Two hinges per door
- Trimmable 1-1/2" each side
- Two false fronts

\* VSF30T  
 VSF33T  
 VSF36T  
 VSF39T  
 VSF42T  
 VSF45T  
 VSF48T

\*VSF30T has one false front

**VANITY BASE CABINETRY**

Cabinet Height: 31-1/2". Toe Kick Height: 4-1/2".

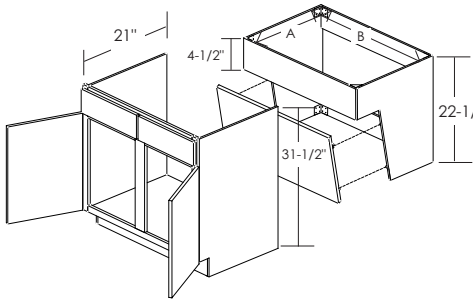


**ACCESSIBLE VANITY SINK BASE**

- Two hinges per door
- Two false fronts

VACSB33  
 VACSB36  
 VACSB39  
 VACSB42  
 VACSB45  
 VACSB48

**UFAS VANITY SINK BASE**

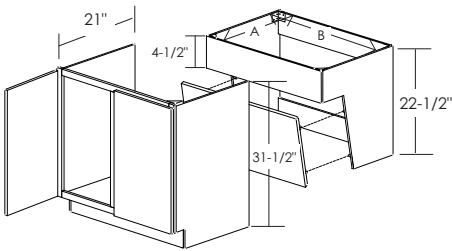


- Two hinges per door
- Two false fronts
- Removable option when 30" or less is available
- Outer cabinet is removable when needed to leave UFAS insert attached to wall
- Designed to meet minimum adaptable clearance requirements
- Customer should confirm sink opening dimension requirements. A rear overflow sink may be necessary
- Insert can be trimmed in field to meet local codes
- Baffle matches exterior finish

UFASV30  
 UFASV33  
 UFASV36

Cabinet	Depth	Sink Clearance	
		A	B
UFASV30	21"	18-1/2"	27"
UFASV33	21"	18-1/2"	30"
UFASV36	21"	18-1/2"	33"

**UFAS VANITY FULL HEIGHT SINK BASE AND INSERT**

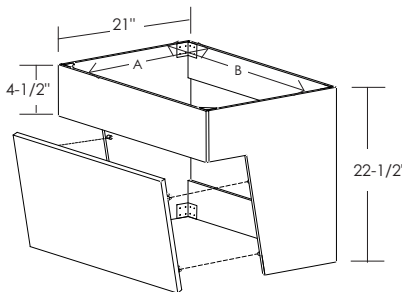


- Two hinges per door
- Removable option when 30" or less is available
- Outer cabinet is removable when needed to leave UFAS insert attached to wall
- Designed to meet minimum adaptable clearance requirements
- Customer should confirm sink opening dimension requirements. A rear overflow sink may be necessary
- Insert can be trimmed in field to meet local codes
- Baffle matches exterior finish

UFASV30FH  
 UFASV33FH  
 UFASV36FH

Cabinet	Depth	Sink Clearance	
		A	B
UFASV30FH	21"	18-1/2"	27"
UFASV33FH	21"	18-1/2"	30"
UFASV36FH	21"	18-1/2"	33"

**UFAS VANITY SINK BASE INSERT ONLY**



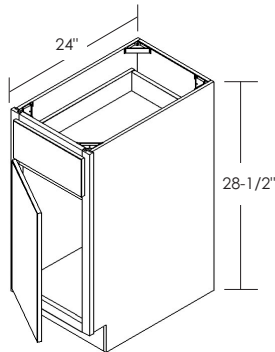
- Baffle is removable for plumbing access
- Recommended installation height of 31-1/2" to provide required knee and toe clearance
- Customer should confirm sink opening dimension requirements. A rear overflow sink may be necessary
- Insert can be trimmed in field to meet local codes
- Baffle matches exterior finish

UFASIOV30  
 UFASIOV33  
 UFASIOV36

Cabinet	Depth	Sink Clearance	
		A	B
UFASIOV30	21"	19-1/2"	28-1/2"
UFASIOV33	21"	19-1/2"	31-1/2"
UFASIOV36	21"	19-1/2"	34-1/2"

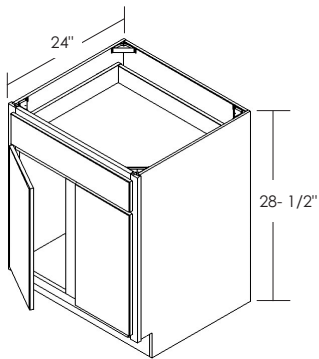
## DESK BASE CABINETRY

Cabinet Height: 28-1/2". Toe Kick Height: 4-1/2".



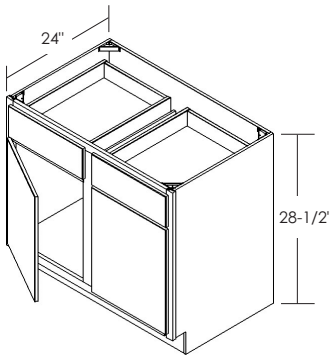
### DESK BASE SINGLE DOOR AND DRAWER

- Two hinges per door
  - Specify L or R door hinging
  - Comes with adjustable half depth shelf
  - Desk fronts available for all sizes, order as DKBF12 L or R for example
  - **AD 21"**
  - **FDS**
- DKB12 L or R  
 DKB15 L or R  
 DKB18 L or R  
 DKB21 L or R  
 DKB24 L or R



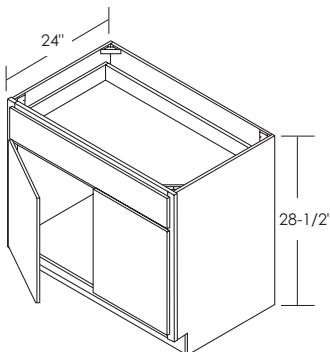
### DESK BASE DOUBLE DOOR AND SINGLE DRAWER

- Two hinges per door
  - Comes with adjustable half depth shelf
  - Desk front available, order as DKBF27
  - **AD 21"**
  - **FDS**
- DKB27



### DESK BASE DOUBLE DOOR AND DOUBLE DRAWER

- Two hinges per door
  - Comes with adjustable half depth shelf
  - Desk fronts available for all sizes, order as DKBF30 for example
  - **AD 21"**
  - **FDS**
- DKB30  
 DKB33  
 DKB36  
 DKB39  
 DKB42  
 DKB45  
 DKB48



### DESK BASE BUTT DOOR AND WIDE SINGLE DRAWER

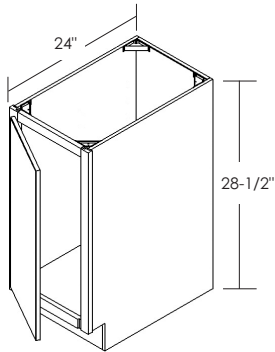
- Two hinges per door
  - Comes with adjustable half depth shelf
  - Desk fronts available for all sizes, order as DKBF24BD for example
  - **AD 21"**
  - **FDS**
- DKB24BD  
 DKB27BD  
 DKB30BD  
 DKB33BD  
 DKB36BD\*

\* FDS is not available on DKB36BD

**AD** = Altered depth option  
**FDS** = Full depth shelf option

## DESK BASE CABINETRY

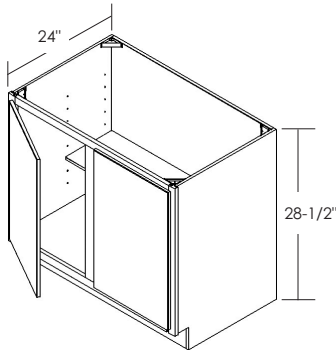
Cabinet Height: 28-1/2". Toe Kick Height: 4-1/2".



### DESK BASE FULL HEIGHT SINGLE DOOR

- Two hinges per door
- Specify L or R door hinging
- Comes with adjustable half depth shelf
- Desk fronts available for all sizes, order as DKBF09FH for example
- **AD 18" or 21"**
- **FDS**

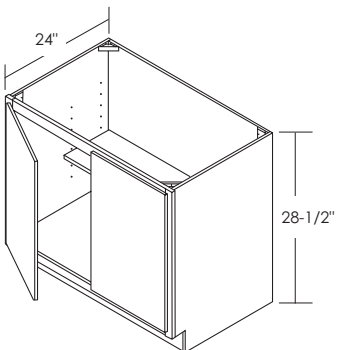
DKB09FH L or R  
 DKB12FH L or R  
 DKB15FH L or R  
 DKB18FH L or R  
 DKB21FH L or R  
 DKB24FH L or R



### DESK BASE FULL HEIGHT DOUBLE DOOR

- Two hinges per door
- Comes with adjustable half depth shelf
- Desk fronts available for all sizes, order as DKBF27FH for example
- **AD 18" or 21"**
- **FDS**

DKB27FH  
 DKB30FH  
 DKB33FH  
 DKB36FH  
 DKB39FH  
 DKB42FH  
 DKB45FH  
 DKB48FH



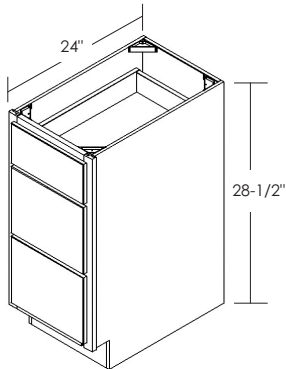
### DESK BASE FULL HEIGHT BUTT DOOR

- Two hinges per door
- Comes with adjustable half depth shelf
- Desk fronts available for all sizes, order as DKBF24BDFH for example
- **AD 18" or 21"**
- **FDS**
- **\* FDS is not available on DKB36BDFH**

DKB24BDFH  
 DKB27BDFH  
 DKB30BDFH  
 DKB33BDFH  
 \*DKB36BDFH

## DESK BASE CABINETS

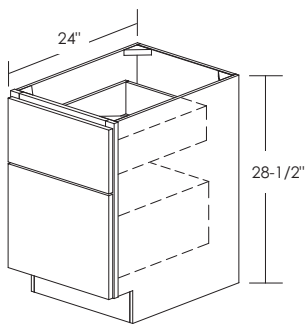
Cabinet Height: 28-1/2". Toe Kick Height: 4-1/2".



### THREE DRAWER DESK BASE

- One standard depth drawer on top and two deep drawers on bottom
- Desk drawer base fronts available for all sizes, order as DKDBF12-3 for example
- **AD 21"**

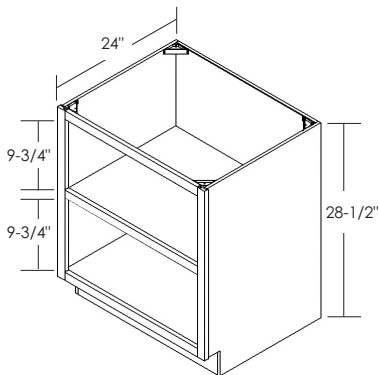
DKDB12-3  
DKDB15-3  
DKDB18-3  
DKDB21-3  
DKDB24-3



### FILE DRAWER DESK BASE

- One standard height drawer
- Deep drawer on bottom to accommodate files
- File drawer desk base front available, order as DKFDF18
- **AD 21"**

DKFD18



### DESK BASE BOOKSHELF

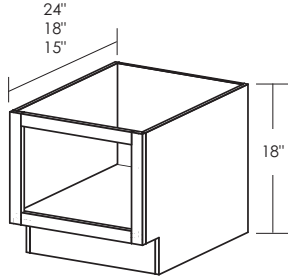
- Two 9- 3/4" H openings
- Color matching interior
- Fixed full depth shelf
- **AD 12", 18", or 21"**

DKBBS18  
DKBBS21  
DKBBS24  
DKBBS27  
DKBBS30



**MUD ROOM CABINETRY**

Cabinet Height: 18". Toe Kick Height: 4-1/2".



**BASE MUD ROOM OPEN CABINETS**

- Comes with matching finished interior

**24" Deep**

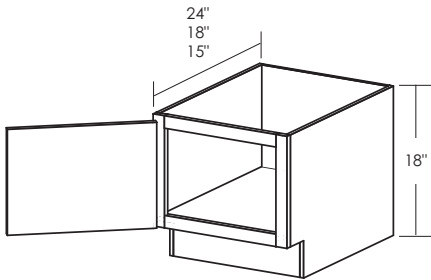
- BMRO1518x24
- BMRO1818x24
- BMRO2118x24
- BMRO2418x24

**18" Deep**

- BMR1518x18
- BMR1818x18
- BMR2118x18
- BMR2418x18

**15" Deep**

- BMRO1518x15
- BMRO1818x15
- BMRO2118x15
- BMRO2418x15



**BASE MUD ROOM CABINETS**

- Two hinges per door
- Full height door

**24" Deep**

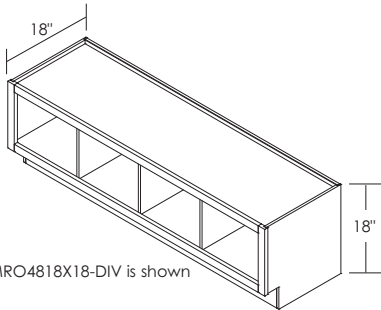
- BMR1518X24FH L or R
- BMR1818X24FH L or R
- BMR2118X24FH L or R
- BMR2418X24FH L or R

**18" Deep**

- BMR1518X18FH L or R
- BMR1818X18FH L or R
- BMR2118X18FH L or R
- BMR2418X18FH L or R

**15" Deep**

- BMR1518X15FH L or R
- BMR1818X15FH L or R
- BMR2118X15FH L or R
- BMR2418X15FH L or R



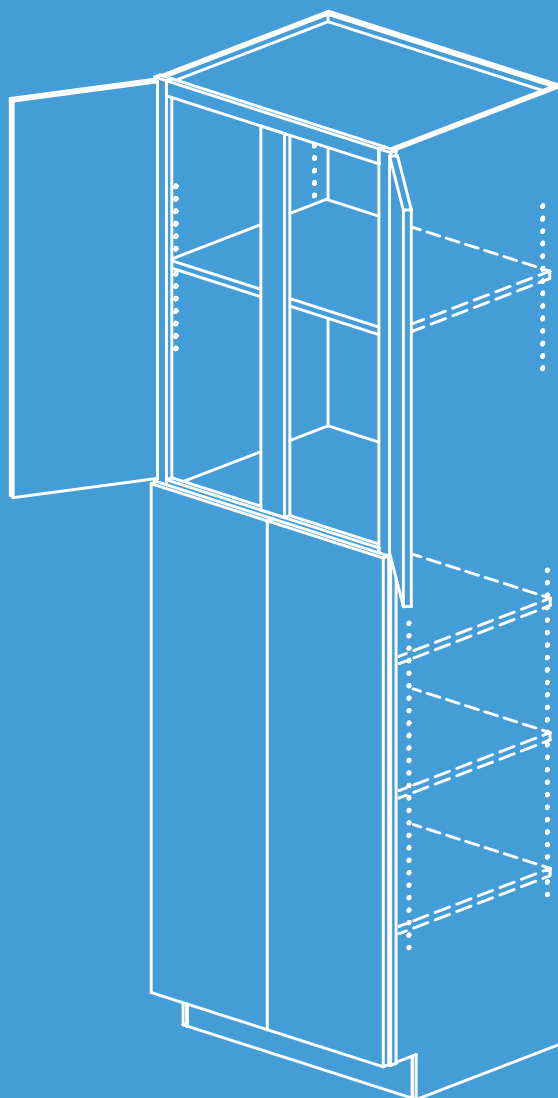
**BASE MUD ROOM OPEN CABINET WITH DIVIDERS**

- Comes with matching finished interior
- **Top surface is raw and should be covered by a counter top or other decking material**

Cabinet	Openings
BMRO2418X18-DIV	2
BMRO2718X18-DIV	2
BMRO3018X18-DIV	2
BMRO3318X18-DIV	2
BMRO3618X18-DIV	3
BMRO3918X18-DIV	3
BMRO4218X18-DIV	3
BMRO4518X18-DIV	3
BMRO4818X18-DIV	4
BMRO6018X18-DIV	4

# FRAMED TALLS

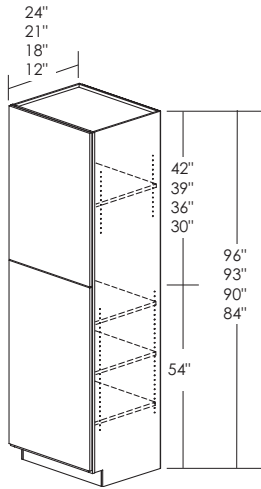
---





TALL CABINETRY

Toe Kick Height: 4-1/2".



PANTRY CABINET WITH SINGLE DOORS

- Bottom door has three hinges. Upper door has two hinges, except 96" high cabinets have three hinges on top door
- Specify L or R door hinging
- Comes with three full depth adjustable shelves in lower section and one full depth adjustable shelf in upper section
- Fixed center bottom behind the center rail

12" DEEP CABINETS

- P1284X12 L or R
- P1584X12 L or R
- P1884X12 L or R
- P2184X12 L or R
- P1290X12 L or R
- P1590X12 L or R
- P1890X12 L or R
- P2190X12 L or R
- P1293X12 L or R
- P1593X12 L or R
- P1893X12 L or R
- P2193X12 L or R
- P1296X12 L or R
- P1596X12 L or R
- P1896X12 L or R
- P2196X12 L or R

18" DEEP CABINETS

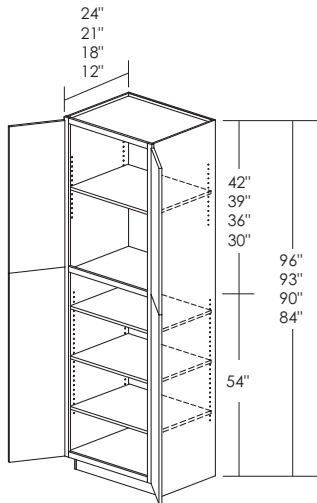
- P1284X18 L or R
- P1584X18 L or R
- P1884X18 L or R
- P2184X18 L or R
- P1290X18 L or R
- P1590X18 L or R
- P1890X18 L or R
- P2190X18 L or R
- P1293X18 L or R
- P1593X18 L or R
- P1893X18 L or R
- P2193X18 L or R
- P1296X18 L or R
- P1596X18 L or R
- P1896X18 L or R
- P2196X18 L or R

21" DEEP CABINETS

- P1284X21 L or R
- P1584X21 L or R
- P1884X21 L or R
- P2184X21 L or R
- P1290X21 L or R
- P1590X21 L or R
- P1890X21 L or R
- P2190X21 L or R
- P1293X21 L or R
- P1593X21 L or R
- P1893X21 L or R
- P2193X21 L or R
- P1296X21 L or R
- P1596X21 L or R
- P1896X21 L or R
- P2196X21 L or R

24" DEEP CABINETS

- P1284X24 L or R
- P1584X24 L or R
- P1884X24 L or R
- P2184X24 L or R
- P1290X24 L or R
- P1590X24 L or R
- P1890X24 L or R
- P2190X24 L or R
- P1293X24 L or R
- P1593X24 L or R
- P1893X24 L or R
- P2193X24 L or R
- P1296X24 L or R
- P1596X24 L or R
- P1896X24 L or R
- P2196X24 L or R



PANTRY CABINET WITH BUTT DOORS

- Bottom door has three hinges. Upper door has two hinges, except 96" high cabinets have three hinges on top door
- Comes with butt doors on top and bottom sections
- Comes with three full depth adjustable shelves in lower section and one full depth adjustable shelf in upper section
- Fixed center bottom behind the center rail

12" DEEP CABINETS

- P2484BDX12
- P2784BDX12
- P2490BDX12
- P2790BDX12
- P2493BDX12
- P2793BDX12
- P2496BDX12
- P2796BDX12

18" DEEP CABINETS

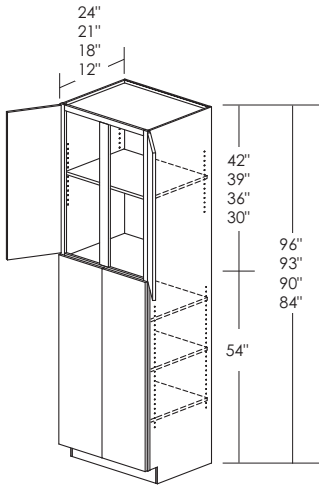
- P2484BDX18
- P2784BDX18
- P2490BDX18
- P2790BDX18
- P2493BDX18
- P2793BDX18
- P2496BDX18
- P2796BDX18

21" DEEP CABINETS

- P2484BDX21
- P2784BDX21
- P2490BDX21
- P2790BDX21
- P2493BDX21
- P2793BDX21
- P2496BDX21
- P2796BDX21

24" DEEP CABINETS

- P2484BDX24
- P2784BDX24
- P2490BDX24
- P2790BDX24
- P2493BDX24
- P2793BDX24
- P2496BDX24
- P2796BDX24



**PANTRY CABINET WITH BUTT DOORS ON LOWER SECTION**

- Bottom door has three hinges. Upper door has two hinges, except 96" high cabinets have three hinges on top door
- Comes with butt doors on top and bottom sections
- Top section will have vertical mullion. Bottom section has no mullion
- Comes with three full depth adjustable shelves in lower section and one full depth adjustable shelf in upper section
- Fixed center bottom behind the center rail

**12" DEEP CABINETS**

- P3084BDX12
- P3384BDX12
- P3684BDX12
- P3090BDX12
- P3390BDX12
- P3690BDX12
- P3093BDX12
- P3393BDX12
- P3693BDX12
- P3096BDX12
- P3396BDX12
- P3696BDX12

**18" DEEP CABINETS**

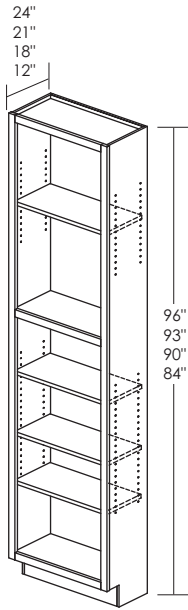
- P3084BDX18
- P3384BDX18
- P3684BDX18
- P3090BDX18
- P3390BDX18
- P3690BDX18
- P3093BDX18
- P3393BDX18
- P3693BDX18
- P3096BDX18
- P3396BDX18
- P3696BDX18

**21" DEEP CABINETS**

- P3084BDX21
- P3384BDX21
- P3684BDX21
- P3090BDX21
- P3390BDX21
- P3690BDX21
- P3093BDX21
- P3393BDX21
- P3693BDX21
- P3096BDX21
- P3396BDX21
- P3696BDX21

**24" DEEP CABINETS**

- P3084BDX24
- P3384BDX24
- P3684BDX24
- P3090BDX24
- P3390BDX24
- P3690BDX24
- P3093BDX24
- P3393BDX24
- P3693BDX24
- P3096BDX24
- P3396BDX24
- P3696BDX24



**TALL BOOKSHELF**

- Comes with three full depth adjustable shelves in lower section and one full depth adjustable shelf in upper section.
- Comes with matching interior finish.
- Fixed center bottom behind the center rail

**12" DEEP CABINETS**

- TBS1284X12
- TBS1584X12
- TBS1884X12
- TBS2184X12
- TBS2484X12
- TBS2784X12
- TBS3084X12
- TBS3384X12
- TBS3684X12
- TBS1290X12
- TBS1590X12
- TBS1890X12
- TBS2190X12
- TBS2490X12
- TBS2790X12
- TBS3090X12
- TBS3390X12
- TBS3690X12
- TBS1293X12
- TBS1593X12
- TBS1893X12
- TBS2193X12
- TBS2493X12
- TBS2793X12
- TBS3093X12
- TBS3393X12
- TBS3693X12
- TBS1296X12
- TBS1596X12
- TBS1896X12
- TBS2196X12
- TBS2496X12
- TBS2796X12
- TBS3096X12
- TBS3396X12
- TBS3696X12

**18" DEEP CABINETS**

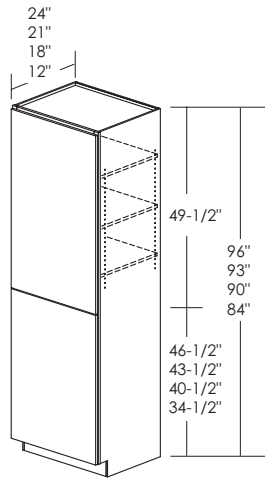
- TBS1284X18
- TBS1584X18
- TBS1884X18
- TBS2184X18
- TBS2484X18
- TBS2784X18
- TBS3084X18
- TBS3384X18
- TBS3684X18
- TBS1290X18
- TBS1590X18
- TBS1890X18
- TBS2190X18
- TBS2490X18
- TBS2790X18
- TBS3090X18
- TBS3390X18
- TBS3690X18
- TBS1293X18
- TBS1593X18
- TBS1893X18
- TBS2193X18
- TBS2493X18
- TBS2793X18
- TBS3093X18
- TBS3393X18
- TBS3693X18
- TBS1296X18
- TBS1596X18
- TBS1896X18
- TBS2196X18
- TBS2496X18
- TBS2796X18
- TBS3096X18
- TBS3396X18
- TBS3696X18

**21" DEEP CABINETS**

- TBS1284X21
- TBS1584X21
- TBS1884X21
- TBS2184X21
- TBS2484X21
- TBS2784X21
- TBS3084X21
- TBS3384X21
- TBS3684X21
- TBS1290X21
- TBS1590X21
- TBS1890X21
- TBS2190X21
- TBS2490X21
- TBS2790X21
- TBS3090X21
- TBS3390X21
- TBS3690X21
- TBS1293X21
- TBS1593X21
- TBS1893X21
- TBS2193X21
- TBS2493X21
- TBS2793X21
- TBS3093X21
- TBS3393X21
- TBS3693X21
- TBS1296X21
- TBS1596X21
- TBS1896X21
- TBS2196X1
- TBS2496X21
- TBS2796X21
- TBS3096X21
- TBS3396X21
- TBS3696X21

**24" DEEP CABINETS**

- TBS1284X24
- TBS1584X24
- TBS1884X24
- TBS2184X24
- TBS2484X24
- TBS2784X24
- TBS3084X24
- TBS3384X24
- TBS3684X24
- TBS1290X24
- TBS1590X24
- TBS1890X24
- TBS2190X24
- TBS2490X24
- TBS2790X24
- TBS3090X24
- TBS3390X24
- TBS3690X24
- TBS1293X24
- TBS1593X24
- TBS1893X24
- TBS2193X24
- TBS2493X24
- TBS2793X24
- TBS3093X24
- TBS3393X24
- TBS3693X24
- TBS1296X24
- TBS1596X24
- TBS1896X24
- TBS2196X24
- TBS2496X24
- TBS2796X24
- TBS3096X24
- TBS3396X24
- TBS3696X24



**LINEN CABINET WITH SINGLE DOORS**

- Three hinges per door on upper door, two hinges per door on bottom door
- Specify L or R door hinging
- Comes with three full depth adjustable shelves in upper section
- Bottom door on the 84" high linen is same height as a full height kitchen base cabinet
- Fixed center bottom behind the center rail
- Bottom door on 84" high linen cabinets will align with 34-1/2" high vanity cabinets

**12" DEEP CABINETS**

LC1284X12 L or R  
 LC1584X12 L or R  
 LC1884X12 L or R  
 LC2184X12 L or R

LC1290X12 L or R  
 LC1590X12 L or R  
 LC1890X12 L or R  
 LC2190X12 L or R

LC1293X12 L or R  
 LC1593X12 L or R  
 LC1893X12 L or R  
 LC2193X12 L or R

LC1296X12 L or R  
 LC1596X12 L or R  
 LC1896X12 L or R  
 LC2196X12 L or R

**18" DEEP CABINETS**

LC1284X18 L or R  
 LC1584X18 L or R  
 LC1884X18 L or R  
 LC2184X18 L or R

LC1290X18 L or R  
 LC1590X18 L or R  
 LC1890X18 L or R  
 LC2190X18 L or R

LC1293X18 L or R  
 LC1593X18 L or R  
 LC1893X18 L or R  
 LC2193X18 L or R

LC1296X18 L or R  
 LC1596X18 L or R  
 LC1896X18 L or R  
 LC2196X18 L or R

**21" DEEP CABINETS**

LC1284X21 L or R  
 LC1584X21 L or R  
 LC1884X21 L or R  
 LC2184X21 L or R

LC1290X21 L or R  
 LC1590X21 L or R  
 LC1890X21 L or R  
 LC2190X21 L or R

LC1293X21 L or R  
 LC1593X21 L or R  
 LC1893X21 L or R  
 LC2193X21 L or R

LC1296X21 L or R  
 LC1596X21 L or R  
 LC1896X21 L or R  
 LC2196X21 L or R

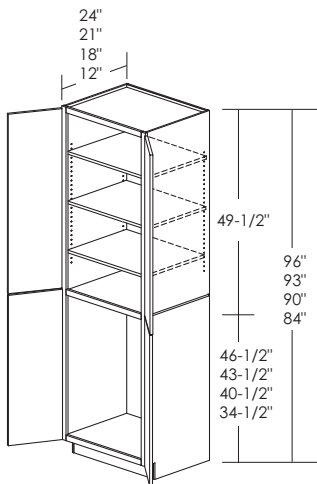
**24" DEEP CABINETS**

LC1284X24 L or R  
 LC1584X24 L or R  
 LC1884X24 L or R  
 LC2184X24 L or R

LC1290X24 L or R  
 LC1590X24 L or R  
 LC1890X24 L or R  
 LC2190X24 L or R

LC1293X24 L or R  
 LC1593X24 L or R  
 LC1893X24 L or R  
 LC2193X24 L or R

LC1296X24 L or R  
 LC1596X24 L or R  
 LC1896X24 L or R  
 LC2196X24 L or R



**LINEN CABINET WITH BUTT DOORS**

- Three hinges per door on upper doors, two hinges per door on bottom doors
- Comes with three full depth adjustable shelves in upper section
- Two butt doors on top and bottom sections
- Bottom door on the 84" high linen is same height as a full height kitchen base cabinet
- Fixed center bottom behind the center rail
- Bottom door on 84" high linen cabinets will align with 34-1/2" high vanity cabinets

**12" DEEP CABINETS**

LC2484BDX12  
 LC2784BDX12

LC2490BDX12  
 LC2790BDX12

LC2493BDX12  
 LC2793BDX12

LC2496BDX12  
 LC2796BDX12

**18" DEEP CABINETS**

LC2484BDX18  
 LC2784BDX18

LC2490BDX18  
 LC2790BDX18

LC2493BDX18  
 LC2793BDX18

LC2496BDX18  
 LC2796BDX18

**21" DEEP CABINETS**

LC2484BDX21  
 LC2784BDX21

LC2490BDX21  
 LC2790BDX21

LC2493BDX21  
 LC2793BDX21

LC2496BDX21  
 LC2796BDX21

**24" DEEP CABINETS**

LC2484BDX24  
 LC2784BDX24

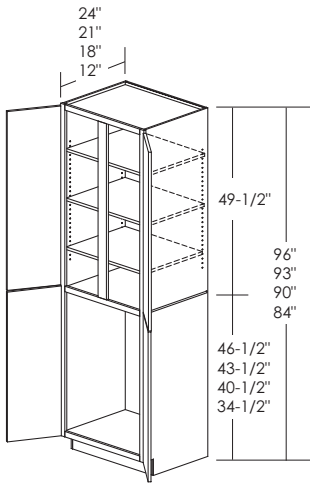
LC2490BDX24  
 LC2790BDX24

LC2493BDX24  
 LC2793BDX24

LC2496BDX24  
 LC2796BDX24

TALL CABINETRY

Toe Kick Height: 4-1/2".



LINEN CABINET WITH BUTT DOORS

- Three hinges per door on upper doors, two hinges per door on bottom doors
- Comes with three full depth adjustable shelves in upper section
- Two butt doors on top and bottom sections
- Top section will have vertical mullion. Bottom section has no mullion
- Bottom door on the 84" high linen is same height as a full height kitchen base cabinet
- Fixed center bottom behind the center rail
- Bottom door on 84" high linen cabinets will align with 34-1/2" high vanity cabinets

12" DEEP CABINETS

LC3084BDX12  
LC3384BDX12  
LC3684BDX12

LC3090BDX12  
LC3390BDX12  
LC3690BDX12

LC3093BDX12  
LC3393BDX12  
LC3693BDX12

LC3096BDX12  
LC3396BDX12  
LC3696BDX12

18" DEEP CABINETS

LC3084BDX18  
LC3384BDX18  
LC3684BDX18

LC3090BDX18  
LC3390BDX18  
LC3690BDX18

LC3093BDX18  
LC3393BDX18  
LC3693BDX18

LC3096BDX18  
LC3396BDX18  
LC3696BDX18

21" DEEP CABINETS

LC3084BDX21  
LC3384BDX21  
LC3684BDX21

LC3090BDX21  
LC3390BDX21  
LC3690BDX21

LC3093BDX21  
LC3393BDX21  
LC3693BDX21

LC3096BDX21  
LC3396BDX21  
LC3696BDX21

24" DEEP CABINETS

LC3084BDX24  
LC3384BDX24  
LC3684BDX24

LC3090BDX24  
LC3390BDX24  
LC3690BDX24

LC3093BDX24  
LC3393BDX24  
LC3693BDX24

LC3096BDX24  
LC3396BDX24  
LC3696BDX24



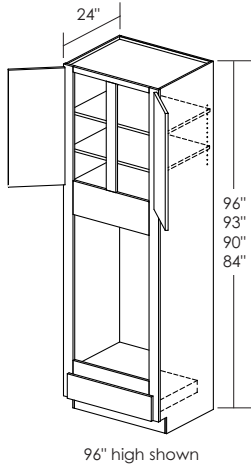
TALL CABINETRY

Toe Kick Height: 4-1/2".

**DOUBLE OVEN CABINET WITH SINGLE DRAWER**

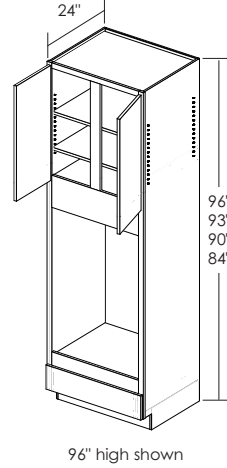
- Two hinges per door on upper doors
- One drawer on bottom
- 96" high has two adjustable shelves. 84" and 90" high have one adjustable shelf.
- Fixed center bottom behind the center rail
- Refer to page C7 for cut out instructions

**1-1/2" REDUCED STILES OPTION:**  
Recommended to use when wall cabinets will be placed directly above the oven cabinet.



**24" DEEP CABINETS**

- OVD2784X24
- OVD3084X24
- OVD3384X24
- OVD2790X24
- OVD3090X24
- OVD3390X24
- OVD2793X24
- OVD3093X24
- OVD3393X24
- OVD2796X24
- OVD3096X24
- OVD3396X24



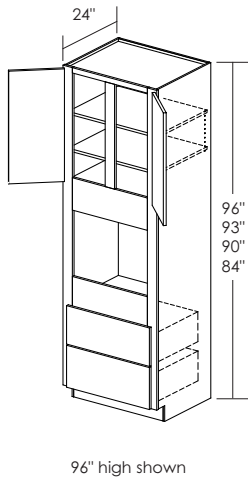
**24" DEEP CABINETS with reduced stiles**

- OVD2784RSX24
- OVD3084RSX24
- OVD3384RSX24
- OVD2790RSX24
- OVD3090RSX24
- OVD3390RSX24
- OVD2793RSX24
- OVD3093RSX24
- OVD3393RSX24
- OVD2796RSX24
- OVD3096RSX24
- OVD3396RSX24

**SINGLE OVEN CABINET WITH TWO DRAWERS**

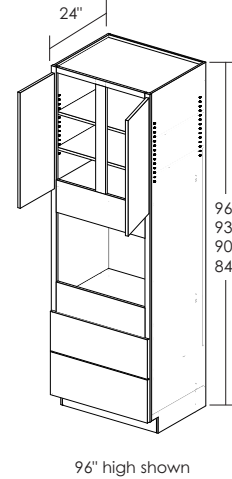
- Two hinges per door on upper doors
- Two drawers on bottom
- 96" high has two adjustable shelves. 84" and 90" high have one adjustable shelf.
- Fixed center bottom behind the center rail
- Refer to page C7 for cut out instructions

**1-1/2" REDUCED STILES OPTION:**  
Recommended to use when wall cabinets will be placed directly above the oven cabinet.



**24" DEEP CABINETS**

- OVS2784X24
- OVS3084X24
- OVS3384X24
- OVS2790X24
- OVS3090X24
- OVS3390X24
- OVS2793X24
- OVS3093X24
- OVS3393X24
- OVS2796X24
- OVS3096X24
- OVS3396X24

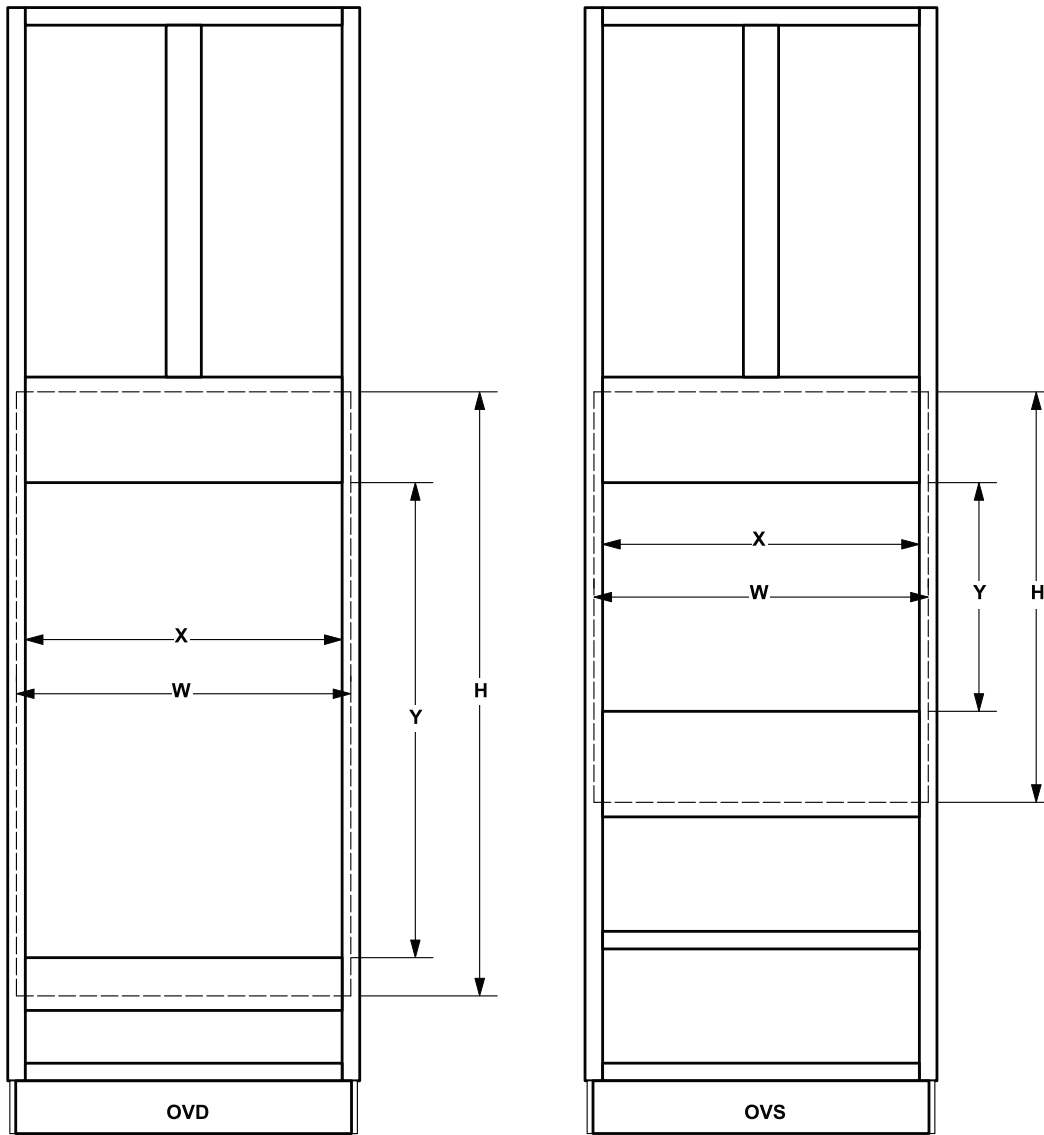


**24" DEEP CABINETS with reduced stiles**

- OVS2784RSX24
- OVS3084RSX24
- OVS3384RSX24
- OVS2790RSX24
- OVS3090RSX24
- OVS3390RSX24
- OVS2793RSX24
- OVS3093RSX24
- OVS3393RSX24
- OVS2796RSX24
- OVS3096RSX24
- OVS3396RSX24

# CUT OUT INSTRUCTIONS FOR OVEN CABINETS

Toe Kick Height: 4-1/2"

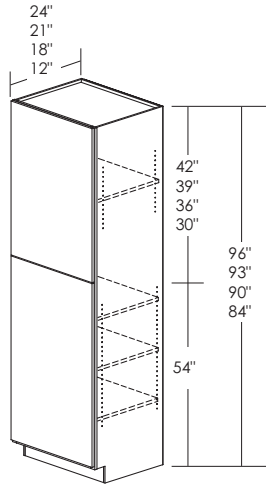


Cabinet	X = Open Width	W = Max Cut-Out Width	Y = Open Height	H = Max Cut-Out Height
OVS27__	24"	25-1/2"	19-1/2"	35"
OVS30__	27"	28-1/2"	19-1/2"	35"
OVS33__	30"	31-1/2"	19-1/2"	35"
OVD27__	24"	25-1/2"	40-1/2"	51-1/2"
OVD30__	27"	28-1/2"	40-1/2"	51-1/2"
OVD33__	30"	31-1/2"	40-1/2"	51-1/2"
OVS27_RS	24"	25-1/2"	18-1/2"	34"
OVS30_RS	27"	28-1/2"	18-1/2"	34"
OVS33_RS	30"	31-1/2"	18-1/2"	34"
OVD27_RS	24"	25-1/2"	39-1/2"	50-1/2"
OVD30_RS	27"	28-1/2"	39-1/2"	50-1/2"
OVD33_RS	30"	31-1/2"	39-1/2"	50-1/2"

UNIVERSAL ACCESS TALL CABINETRY

Toe Kick Height: 5-1/2".

TALLS



UNIVERSAL ACCESS PANTRY CABINET WITH SINGLE DOORS

- Bottom door has three hinges. Upper door has two hinges, except 96" high cabinets have three hinges on top door.
- Specify L or R door hinging
- Comes with three full depth adjustable shelves in lower section and one full depth adjustable shelf in upper section
- Fixed center bottom behind the center rail

12" DEEP CABINETS

HCP1284X12 L or R  
HCP1584X12 L or R  
HCP1884X12 L or R  
HCP2184X12 L or R

HCP1290X12 L or R  
HCP1590X12 L or R  
HCP1890X12 L or R  
HCP2190X12 L or R

HCP1293X12 L or R  
HCP1593X12 L or R  
HCP1893X12 L or R  
HCP2193X12 L or R

HCP1296X12 L or R  
HCP1596X12 L or R  
HCP1896X12 L or R  
HCP2196X12 L or R

18" DEEP CABINETS

HCP1284X18 L or R  
HCP1584X18 L or R  
HCP1884X18 L or R  
HCP2184X18 L or R

HCP1290X18 L or R  
HCP1590X18 L or R  
HCP1890X18 L or R  
HCP2190X18 L or R

HCP1293X18 L or R  
HCP1593X18 L or R  
HCP1893X18 L or R  
HCP2193X18 L or R

HCP1296X18 L or R  
HCP1596X18 L or R  
HCP1896X18 L or R  
HCP2196X18 L or R

21" DEEP CABINETS

HCP1284X21 L or R  
HCP1584X21 L or R  
HCP1884X21 L or R  
HCP2184X21 L or R

HCP1290X21 L or R  
HCP1590X21 L or R  
HCP1890X21 L or R  
HCP2190X21 L or R

HCP1293X21 L or R  
HCP1593X21 L or R  
HCP1893X21 L or R  
HCP2193X21 L or R

HCP1296X21 L or R  
HCP1596X21 L or R  
HCP1896X21 L or R  
HCP2196X21 L or R

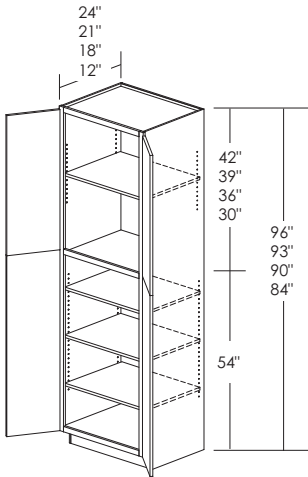
24" DEEP CABINETS

HCP1284X24 L or R  
HCP1584X24 L or R  
HCP1884X24 L or R  
HCP2184X24 L or R

HCP1290X24 L or R  
HCP1590X24 L or R  
HCP1890X24 L or R  
HCP2190X24 L or R

HCP1293X24 L or R  
HCP1593X24 L or R  
HCP1893X24 L or R  
HCP2193X24 L or R

HCP1296X24 L or R  
HCP1596X24 L or R  
HCP1896X24 L or R  
HCP2196X24 L or R



UNIVERSAL ACCESS PANTRY CABINET WITH BUTT DOORS

- Bottom door has three hinges. Upper door has two hinges, except 96" high cabinets have three hinges on top door.
- Comes with butt doors on top and bottom sections
- Comes with three full depth adjustable shelves in lower section and one full depth adjustable shelf in upper section
- Fixed center bottom behind the center rail

12" DEEP CABINETS

HCP2484BDX12  
HCP2784BDX12

HCP2490BDX12  
HCP2790BDX12

HCP2493BDX12  
HCP2793BDX12

HCP2496BDX12  
HCP2796BDX12

18" DEEP CABINETS

HCP2484BDX18  
HCP2784BDX18

HCP2490BDX18  
HCP2790BDX18

HCP2493BDX18  
HCP2793BDX18

HCP2496BDX18  
HCP2796BDX18

21" DEEP CABINETS

HCP2484BDX21  
HCP2784BDX21

HCP2490BDX21  
HCP2790BDX21

HCP2493BDX21  
HCP2793BDX21

HCP2496BDX21  
HCP2796BDX21

24" DEEP CABINETS

HCP2484BDX24  
HCP2784BDX24

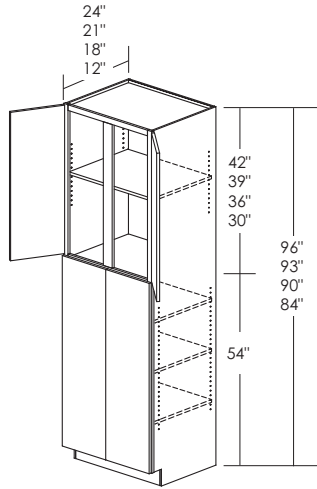
HCP2490BDX24  
HCP2790BDX24

HCP2493BDX24  
HCP2793BDX24

HCP2496BDX24  
HCP2796BDX24

**UNIVERSAL ACCESS TALL CABINETRY**

Toe Kick Height: 5-1/2".



**UNIVERSAL ACCESS PANTRY CABINET WITH BUTT DOORS**

- Bottom door has three hinges. Upper door has two hinges, except 96" high cabinets have three hinges on top door.
- Comes with butt doors on top and bottom sections
- Top section will have vertical mullion. Bottom section has no mullion.
- Comes with three full depth adjustable shelves in lower section and one full depth adjustable shelf in upper section
- Fixed center bottom behind the center rail

**12" DEEP CABINETS**

HCP3084BDX12  
HCP3384BDX12  
HCP3684BDX12

HCP3090BDX12  
HCP3390BDX12  
HCP3690BDX12

HCP3093BDX12  
HCP3393BDX12  
HCP3693BDX12

HCP3096BDX12  
HCP3396BDX12  
HCP3696BDX12

**18" DEEP CABINETS**

HCP3084BDX18  
HCP3384BDX18  
HCP3684BDX18

HCP3090BDX18  
HCP3390BDX18  
HCP3690BDX18

HCP3093BDX18  
HCP3393BDX18  
HCP3693BDX18

HCP3096BDX18  
HCP3396BDX18  
HCP3696BDX18

**21" DEEP CABINETS**

HCP3084BDX21  
HCP3384BDX21  
HCP3684BDX21

HCP3090BDX21  
HCP3390BDX21  
HCP3690BDX21

HCP3093BDX21  
HCP3393BDX21  
HCP3693BDX21

HCP3096BDX21  
HCP3396BDX21  
HCP3696BDX21

**24" DEEP CABINETS**

HCP3084BDX24  
HCP3384BDX24  
HCP3684BDX24

HCP3090BDX24  
HCP3390BDX24  
HCP3690BDX24

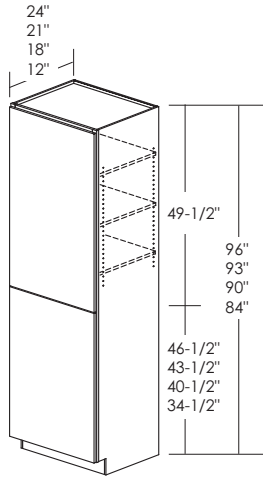
HCP3093BDX24  
HCP3393BDX24  
HCP3693BDX24

HCP3096BDX24  
HCP3396BDX24  
HCP3696BDX24

UNIVERSAL ACCESS TALL CABINETRY

Toe Kick Height: 5-1/2".

TALLS



UNIVERSAL ACCESS LINEN CABINET WITH SINGLE DOORS

- Three hinges per door on upper door, two hinges per door on bottom door
- Specify L or R door hinging
- Comes with three full depth adjustable shelves in upper section
- Fixed center bottom behind the center rail

12" DEEP CABINETS

HCLC1284X12 L or R  
 HCLC1584X12 L or R  
 HCLC1884X12 L or R  
 HCLC2184X12 L or R

HCLC1290X12 L or R  
 HCLC1590X12 L or R  
 HCLC1890X12 L or R  
 HCLC2190X12 L or R

HCLC1293X12 L or R  
 HCLC1593X12 L or R  
 HCLC1893X12 L or R  
 HCLC2193X12 L or R

HCLC1296X12 L or R  
 HCLC1596X12 L or R  
 HCLC1896X12 L or R  
 HCLC2196X12 L or R

18" DEEP CABINETS

HCLC1284X18 L or R  
 HCLC1584X18 L or R  
 HCLC1884X18 L or R  
 HCLC2184X18 L or R

HCLC1290X18 L or R  
 HCLC1590X18 L or R  
 HCLC1890X18 L or R  
 HCLC2190X18 L or R

HCLC1293X18 L or R  
 HCLC1593X18 L or R  
 HCLC1893X18 L or R  
 HCLC2193X18 L or R

HCLC1296X18 L or R  
 HCLC1596X18 L or R  
 HCLC1896X18 L or R  
 HCLC2196X18 L or R

21" DEEP CABINETS

HCLC1284X21 L or R  
 HCLC1584X21 L or R  
 HCLC1884X21 L or R  
 HCLC2184X21 L or R

HCLC1290X21 L or R  
 HCLC1590X21 L or R  
 HCLC1890X21 L or R  
 HCLC2190X21 L or R

HCLC1293X21 L or R  
 HCLC1593X21 L or R  
 HCLC1893X21 L or R  
 HCLC2193X21 L or R

HCLC1296X21 L or R  
 HCLC1596X21 L or R  
 HCLC1896X21 L or R  
 HCLC2196X21 L or R

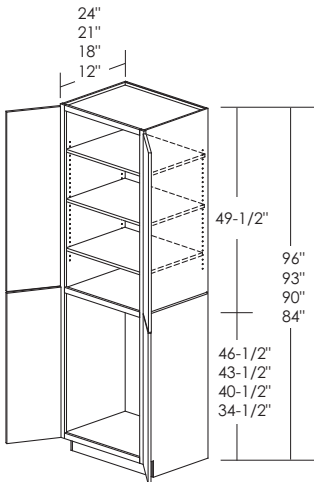
24" DEEP CABINETS

HCLC1284X24 L or R  
 HCLC1584X24 L or R  
 HCLC1884X24 L or R  
 HCLC2184X24 L or R

HCLC1290X24 L or R  
 HCLC1590X24 L or R  
 HCLC1890X24 L or R  
 HCLC2190X24 L or R

HCLC1293X24 L or R  
 HCLC1593X24 L or R  
 HCLC1893X24 L or R  
 HCLC2193X24 L or R

HCLC1296X24 L or R  
 HCLC1596X24 L or R  
 HCLC1896X24 L or R  
 HCLC2196X24 L or R



UNIVERSAL ACCESS LINEN CABINET WITH BUTT DOORS

- Three hinges per door on upper doors, two hinges per door on bottom doors
- Comes with three full depth adjustable shelves in upper section
- Two butt doors on top and bottom sections
- Fixed center bottom behind the center rail

12" DEEP CABINETS

HCLC2484BDX12  
 HCLC2784BDX12

HCLC2490BDX12  
 HCLC2790BDX12

HCLC2493BDX12  
 HCLC2793BDX12

HCLC2496BDX12  
 HCLC2796BDX12

18" DEEP CABINETS

HCLC2484BDX18  
 HCLC2784BDX18

HCLC2490BDX18  
 HCLC2790BDX18

HCLC2493BDX18  
 HCLC2793BDX18

HCLC2496BDX18  
 HCLC2796BDX18

21" DEEP CABINETS

HCLC2484BDX21  
 HCLC2784BDX21

HCLC2490BDX21  
 HCLC2790BDX21

HCLC2493BDX21  
 HCLC2793BDX21

HCLC2496BDX21  
 HCLC2796BDX21

24" DEEP CABINETS

HCLC2484BDX24  
 HCLC2784BDX24

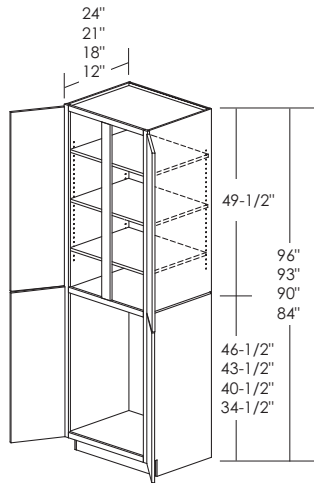
HCLC2490BDX24  
 HCLC2790BDX24

HCLC2493BDX24  
 HCLC2793BDX24

HCLC2496BDX24  
 HCLC2796BDX24

**UNIVERSAL ACCESS TALL CABINETRY**

Toe Kick Height: 5-1/2".



**LINEN CABINET WITH BUTT DOORS**

- Three hinges per door on upper doors, two hinges per door on bottom doors
- Comes with three full depth adjustable shelves in upper section
- Two butt doors on top and bottom sections
- Top section will have vertical mullion. Bottom section has no mullion
- Fixed center bottom behind the center rail

**12" DEEP CABINETS**

HCLC3084BDX12  
 HCLC3384BDX12  
 HCLC3684BDX12

HCLC3090BDX12  
 HCLC3390BDX12  
 HCLC3690BDX12

HCLC3093BDX12  
 HCLC3393BDX12  
 HCLC3693BDX12

HCLC3096BDX12  
 HCLC3396BDX12  
 HCLC3696BDX12

**18" DEEP CABINETS**

HCLC3084BDX18  
 HCLC3384BDX18  
 HCLC3684BDX18

HCLC3090BDX18  
 HCLC3390BDX18  
 HCLC3690BDX18

HCLC3093BDX18  
 HCLC3393BDX18  
 HCLC3693BDX18

HCLC3096BDX18  
 HCLC3396BDX18  
 HCLC3696BDX18

**21" DEEP CABINETS**

HCLC3084BDX21  
 HCLC3384BDX21  
 HCLC3684BDX21

HCLC3090BDX21  
 HCLC3390BDX21  
 HCLC3690BDX21

HCLC3093BDX21  
 HCLC3393BDX21  
 HCLC3693BDX21

HCLC3096BDX21  
 HCLC3396BDX21  
 HCLC3696BDX21

**24" DEEP CABINETS**

HCLC3084BDX24  
 HCLC3384BDX24  
 HCLC3684BDX24

HCLC3090BDX24  
 HCLC3390BDX24  
 HCLC3690BDX24

HCLC3093BDX24  
 HCLC3393BDX24  
 HCLC3693BDX24

HCLC3096BDX24  
 HCLC3396BDX24  
 HCLC3696BDX24

TALLS

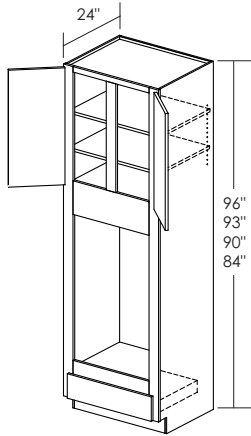
UNIVERSAL ACCESS TALL CABINERY

Toe Kick Height: 5-1/2".

UNIVERSAL ACCESS DOUBLE OVEN CABINET WITH SINGLE DRAWER

- Two hinges per door on upper doors
- One drawer on bottom
- 96" high has two adjustable shelves. 84" and 90" high have one adjustable shelf.
- Fixed center bottom behind the center rail
- Refer to page C13 for cut out instructions

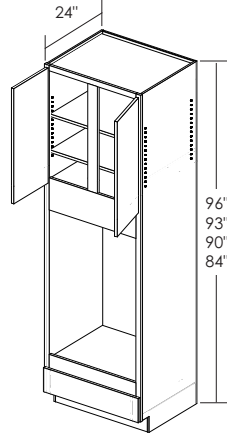
1-1/2" REDUCED STILES OPTION:  
Recommended to use when wall cabinets will be placed directly above the oven cabinet.



96" high shown

24" DEEP CABINETS with 3" stiles

- HCOVD2784X24
- HCOVD3084X24
- HCOVD3384X24
- HCOVD2790X24
- HCOVD3090X24
- HCOVD3390X24
- HCOVD2793X24
- HCOVD3093X24
- HCOVD3393X24
- HCOVD2796X24
- HCOVD3096X24
- HCOVD3396X24



96" high shown

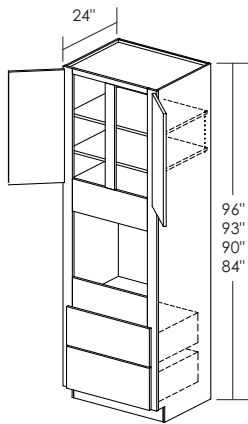
24" DEEP CABINETS with reduced stiles

- HCOVD2784RSX24
- HCOVD3084RSX24
- HCOVD3384RSX24
- HCOVD2790RSX24
- HCOVD3090RSX24
- HCOVD3390RSX24
- HCOVD2793RSX24
- HCOVD3093RSX24
- HCOVD3393RSX24
- HCOVD2796RSX24
- HCOVD3096RSX24
- HCOVD3396RSX24

UNIVERSAL ACCESS SINGLE OVEN CABINET WITH TWO DRAWERS

- Two hinges per door on upper doors
- Two drawers on bottom
- 96" high has two adjustable shelves. 84" and 90" high have one adjustable shelf.
- Fixed center bottom behind the center rail
- Refer to page C13 for cut out instructions

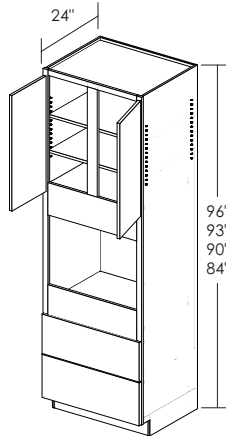
1-1/2" REDUCED STILES OPTION:  
Recommended to use when wall cabinets will be placed directly above the oven cabinet.



96" high shown

24" DEEP CABINETS with 3" stiles

- HCOVS2784X24
- HCOVS3084X24
- HCOVS3384X24
- HCOVS2790X24
- HCOVS3090X24
- HCOVS3390X24
- HCOVS2793X24
- HCOVS3093X24
- HCOVS3393X24
- HCOVS2796X24
- HCOVS3096X24
- HCOVS3396X24



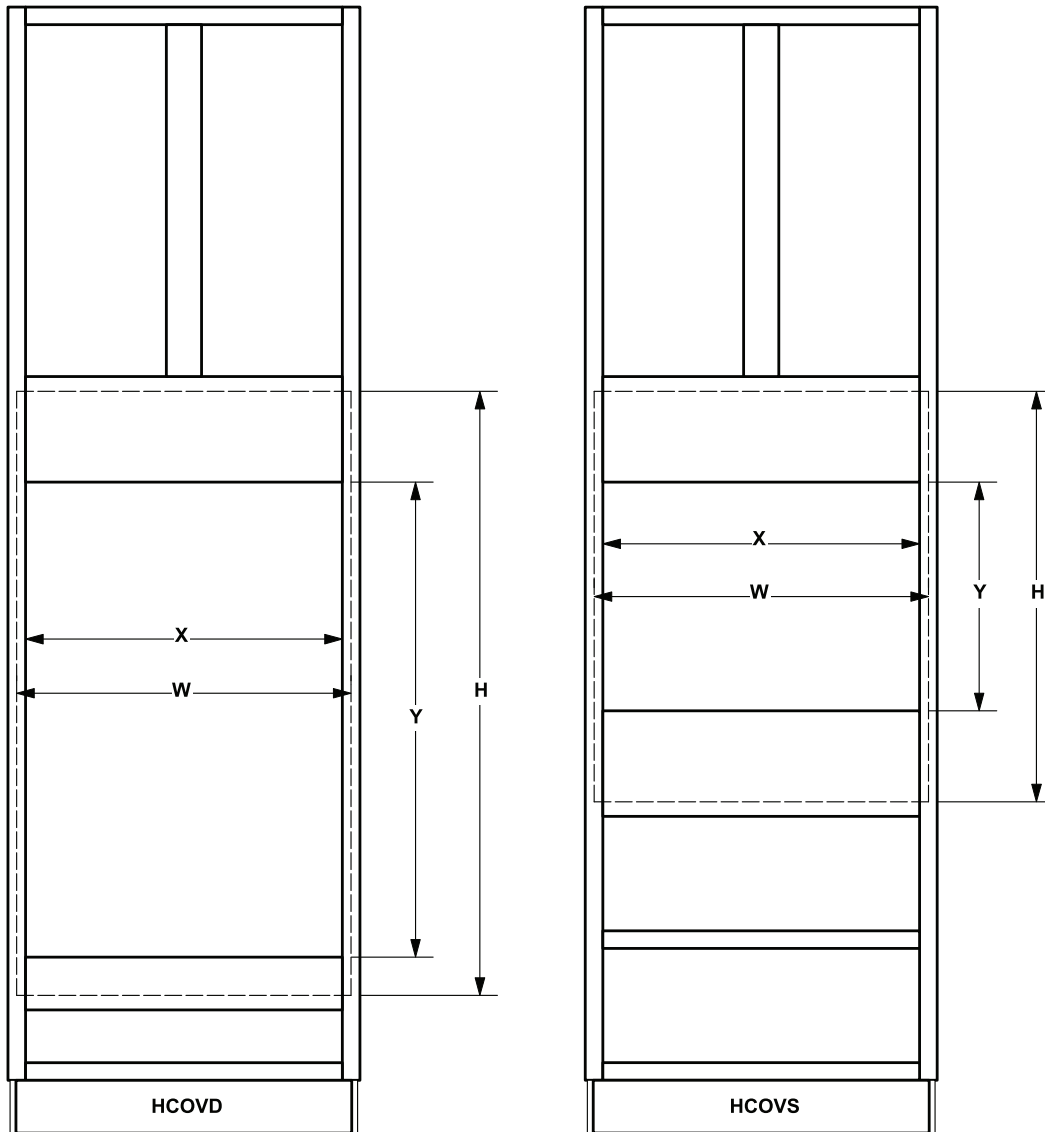
96" high shown

24" DEEP CABINETS with reduced stiles

- HCOVS2784RSX24
- HCOVS3084RSX24
- HCOVS3384RSX24
- HCOVS2790RSX24
- HCOVS3090RSX24
- HCOVS3390RSX24
- HCOVS2793RSX24
- HCOVS3093RSX24
- HCOVS3393RSX24
- HCOVS2796RSX24
- HCOVS3096RSX24
- HCOVS3396RSX24

**CUT OUT INSTRUCTIONS FOR UNIVERSAL ACCESS OVEN CABINETS**

Toe Kick Height: 5-1/2".

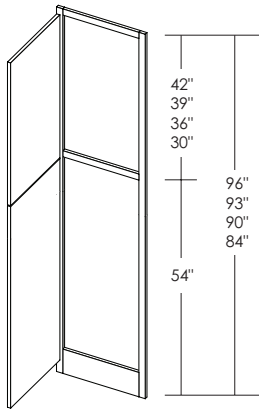


Cabinet	X = Open Width	W = Max Cut-Out Width	Y = Open Height	H = Max Cut-Out Height
HCOVS27__	21"	25-1/2"	19-1/2"	35"
HCOVS30__	24"	28-1/2"	19-1/2"	35"
HCOVS33__	27"	31-1/2"	19-1/2"	35"
HCOVD27__	21"	25-1/2"	40-1/2"	51-1/2"
HCOVD30__	24"	28-1/2"	40-1/2"	51-1/2"
HCOVD33__	27"	31-1/2"	40-1/2"	51-1/2"
HCOVS27_RS	24"	25-1/2"	18-1/2"	34"
HCOVS30_RS	27"	28-1/2"	18-1/2"	34"
HCOVS33_RS	30"	31-1/2"	18-1/2"	34"
HCOVD27_RS	24"	25-1/2"	39-1/2"	50-1/2"
HCOVD30_RS	27"	28-1/2"	39-1/2"	50-1/2"
HCOVD33_RS	30"	31-1/2"	39-1/2"	50-1/2"



**TALL CABINERY FRONTS**

PF Toe Kick Height: 4-1/2".  
HCPF Toe Kick Height: 5-1/2".



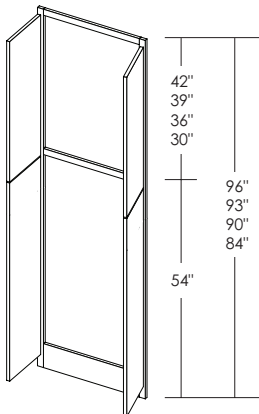
**PANTRY FRONTS WITH SINGLE DOORS**

- Bottom door has three hinges. Upper door has two hinges, except 96" high cabinets have three hinges on top door
- Specify L or R door hinging

PF1284 L or R	PF1290 L or R	PF1293 L or R	PF1296 L or R
PF1584 L or R	PF1590 L or R	PF1593 L or R	PF1596 L or R
PF1884 L or R	PF1890 L or R	PF1893 L or R	PF1896 L or R
PF2184 L or R	PF2190 L or R	PF2193 L or R	PF2196 L or R

**UNIVERSAL ACCESS PANTRY FRONTS WITH SINGLE DOORS**

HCPF1284 L or R	HCPF1290 L or R	HCPF1293 L or R	HCPF1296 L or R
HCPF1584 L or R	HCPF1590 L or R	HCPF1593 L or R	HCPF1596 L or R
HCPF1884 L or R	HCPF1890 L or R	HCPF1893 L or R	HCPF1896 L or R
HCPF2184 L or R	HCPF2190 L or R	HCPF2193 L or R	HCPF2196 L or R



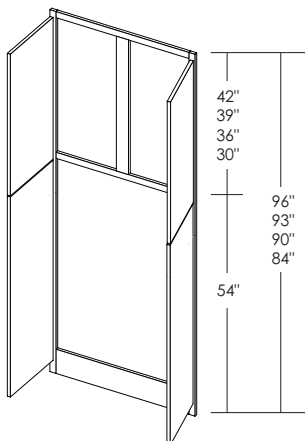
**PANTRY FRONTS WITH BUTT DOORS**

- Bottom door has three hinges. Upper door has two hinges, except 96" high cabinets have three hinges on top door
- Comes with butt doors on top and bottom sections

PF2484BD	PF2490BD	PF2493BD	PF2496BD
PF2784BD	PF2790BD	PF2793BD	PF2796BD

**UNIVERSAL ACCESS PANTRY FRONTS WITH BUTT DOORS**

HCPF2484BD	HCPF2490BD	HCPF2493BD	HCPF2496BD
HCPF2784BD	HCPF2790BD	HCPF2793BD	HCPF2796BD



**PANTRY FRONTS WITH BUTT DOORS ON LOWER SECTION**

- Bottom door has three hinges. Upper door has two hinges, except 96" high cabinets have three hinges on top door
- Comes with butt doors on top and bottom sections. Top section will have vertical mullion. Bottom section has no mullion

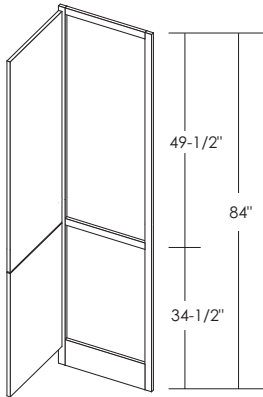
PF3084BD	PF3090BD	PF3093BD	PF3096BD
PF3384BD	PF3390BD	PF3393BD	PF3396BD
PF3684BD	PF3690BD	PF3693BD	PF3696BD

**UNIVERSAL ACCESS PANTRY FRONTS WITH BUTT DOORS ON LOWER SECTION**

HCPF3084BD	HCPF3090BD	HCPF3093BD	HCPF3096BD
HCPF3384BD	HCPF3390BD	HCPF3393BD	HCPF3396BD
HCPF3684BD	HCPF3690BD	HCPF3693BD	HCPF3696BD

## TALL CABINETRY FRONTS

LF Toe Kick Height: 4-1/2".  
HCLF Toe Kick Height: 5-1/2".



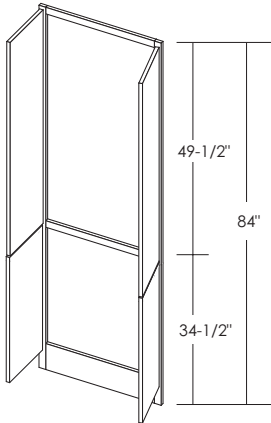
### LINEN FRONTS WITH SINGLE DOORS

- Three hinges per door on upper door, two hinges per door on bottom door
- Specify L or R door hinging
- Can be used with 34-1/2" high vanity cabinets

LF1284 L or R  
LF1584 L or R  
LF1884 L or R  
LF2184 L or R

### UNIVERSAL ACCESS LINEN FRONTS WITH SINGLE DOORS

HCLF1284 L or R  
HCLF1584 L or R  
HCLF1884 L or R  
HCLF2184 L or R



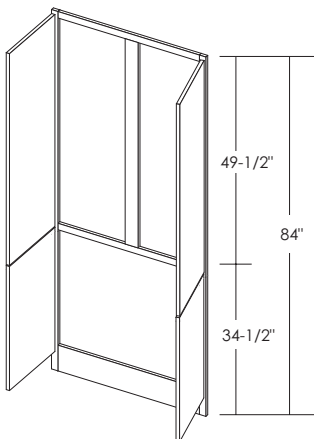
### LINEN FRONTS WITH BUTT DOORS

- Bottom door has three hinges. Upper doors have two hinges
- Comes with butt doors on top and bottom sections
- Can be used with 34-1/2" high vanity cabinets

LF2484BD  
LF2784BD

### UNIVERSAL ACCESS LINEN FRONTS WITH BUTT DOORS

HCLF2484BD  
HCLF2784BD



### LINEN FRONTS WITH BUTT DOORS ON LOWER SECTION

- Bottom door has three hinges. Upper doors have two hinges
- Comes with butt doors on top and bottom sections
- Top section will have vertical mullion. Bottom section has no mullion
- Can be used with 34-1/2" high vanity cabinets

LF3084BD  
LF3384BD  
LF3684BD

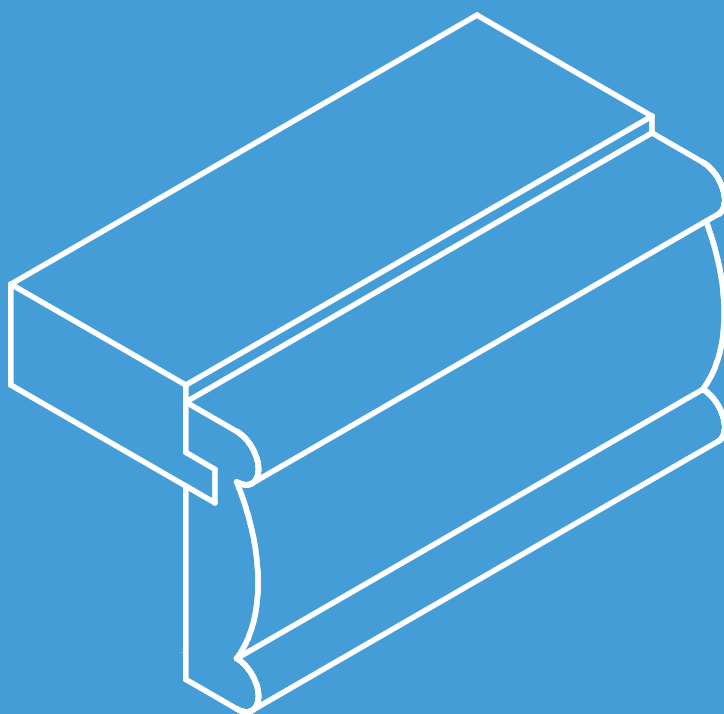
### UNIVERSAL ACCESS LINEN FRONTS WITH BUTT DOORS ON LOWER SECTION

HCLF3084BD  
HCLF3384BD  
HCLF3684BD



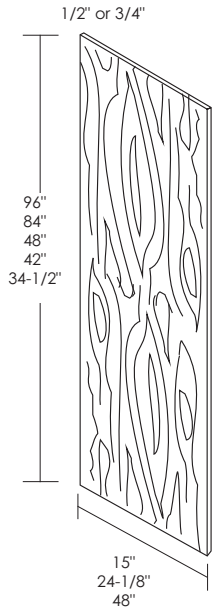
# FRAMED ACCESSORIES

---





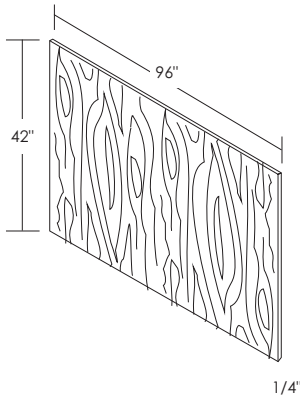
## FRAMED ACCESSORIES



### PANELS

- Grain pattern runs vertically and each panel is banded on front and back edges
- Laminate composite panel or plywood panel
- For plywood panel, order with PLY designation

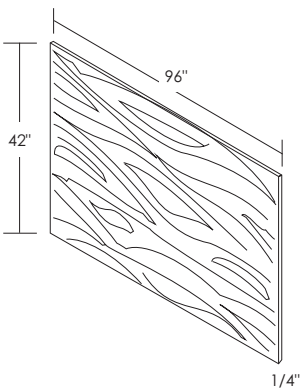
	1/2" Paper on composite panel	3/4" Paper on composite panel	1/2" Paper on plywood panel	3/4" Paper on plywood panel	Actual Size
Base Height	EP2434P	EP2434P-3/4	EP2434P-PLY	EP2434P-3/4-PLY	24"W x 34-1/2"H
42" Tall Wall	EP1542P	EP1542P-3/4	EP1542P-PLY	EP1542P-3/4-PLY	15"W X 42"H
84" Tall Base	EP2484P	EP2484P-3/4	EP2484P-PLY	EP2484P-3/4-PLY	24"W x 84"H
96" Tall Base	EP2496P	EP2496P-3/4	EP2496P-PLY	EP2496P-3/4-PLY	24"W x 96"H
48" Wide Base Height	EP4834P	EP4834P-3/4	EP4834P-PLY	EP4834P-3/4-PLY	48"W x 34-1/2"H
1/2 Sheet	EP4848P		EP4848P-PLY		48"W x 48"H
Full Sheet	EP4896P		EP4896P-PLY		48"W x 96"H



### SHORT GRAIN PLYWOOD PANEL

- Available in oak or maple veneer (short grained)
- 1/4" thick
- Not available with painted finishes

PLYS42x96

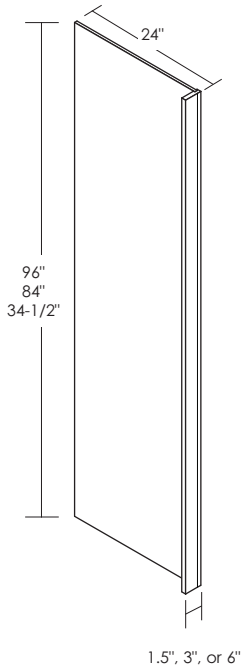


### LONG GRAIN PLYWOOD PANEL

- Available in oak or maple veneer (long grained)
- 1/4" thick

PLYL42x96

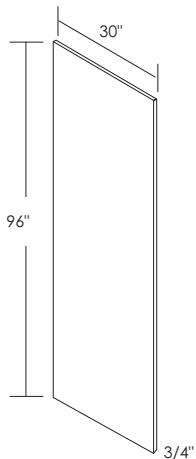
**FRAMED ACCESSORIES**



**RETURN PANELS**

- Filler finished on front face and on two long edges
- End panel has matching finish on both faces
- Vertical grain only
- For plywood end panel, order with PLY designation
- \* Melamine fillers for use with London and Lucina finishes only

Return Panels	1/2" Return w/ 3/4" Laminate Front	1/2" Return w/ 5/8" Melamine Filler *	1/2" Return w/ 3/4" Solid Front	Actual Size
Base 3" Front DW End Panel	BRP3L	BRP3M	BRP3S BRP3S-PLY	3"W x 34-1/2"H x 24"D
Base 6" Front DW End Panel	BRP6L	BRP6M	BRP6S BRP6S-PLY	6"W x 34-1/2"H x 24"D
84" Tall Base Depth 3" Front	TRP384L	TRP384M	TRP384S TRP384S-PLY	3"W x 84"H x 24"D
96" Tall Base Depth 3" Front	TRP396L	TRP396M	TRP396S TRP396S-PLY	3"W x 96"H x 24"D
Base 1.5" Front DW End Panel			BRP1.5S BRP1.5S-PLY	1.5"W x 34-1/2"H x 24"D
84" Tall Base Depth 1.5" Front			TRP1.584S TRP1.584S-PLY	1.5"W x 84"H x 24"D
96" Tall Base Depth 1.5" Front			TRP1.596S TRP1.596S-PLY	1.5"W x 96"H x 24"D
84" Tall 12" Depth End Panel	TRP384X12L		TRP384X12S TRP384X12S-PLY TRP1.584X12S TRP1.584X12S-PLY	3"W x 84"H x 12"D  1.5"W x 84"H x 12"D
96" Tall 12" Depth End Panel	TRP396X12L		TRP396X12S TRP396X12S-PLY TRP1.596X12S TRP1.596X12S-PLY	3"W x 96"H x 12"D  1.5"W x 96"H x 12"D



**UNIVERSAL REFRIGERATOR END PANEL**

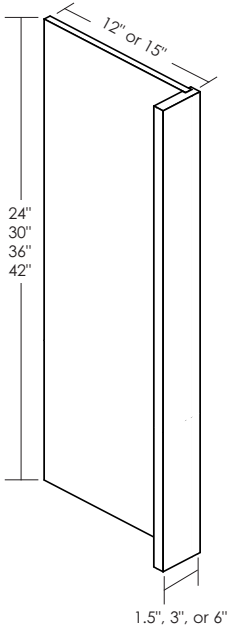
- Available in oak or maple veneer, or laminate exterior
- Trimmable height and depth
- Finished on both sides and edge banded on both long edges
- L – Laminate on 3/4" thick composite panel
- V – Stained veneer on 3/4" thick plywood panel

On composite panel:  
UREP30L

On plywood panel:  
UREP30V-PLY

## FRAMED ACCESSORIES

### WALL RETURN PANELS

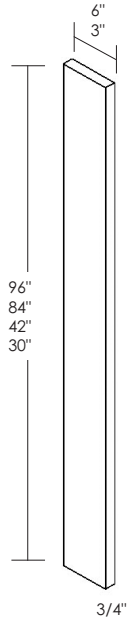


- Filler finished on front face and on two long edges
  - End panel has matching finish on both faces
  - Vertical grain only
  - For plywood end panel, order with PLY designation
  - **Upgrade option available:** Banded top and bottom edges
- \* Melamine fillers for use with London and Lucina finishes only

Wall Return Panels	1/2" Return w/ 3/4" Laminate Front	1/2" Return w/ 5/8" Melamine filler *	1/2" Return w/ 3/4 Solid Front	Actual Size
3" Front 24"H x 12"D	WRP324L-12D	WRP324M-12D	WRP324S-12D WRP324S-12D-PLY	3"W x 24"H x 12"D
3" Front 30"H x 12"D	WRP330L-12D	WRP330M-12D	WRP330S-12D WRP330S-12D-PLY	3"W x 30"H x 12"D
3" Front 36"H x 12"D	WRP336L-12D	WRP336M-12D	WRP336S-12D WRP336S-12D-PLY	3"W x 36"H x 12"D
3" Front 42"H x 12"D	WRP342L-12D	WRP342M-12D	WRP342S-12D WRP342S-12D-PLY	3"W x 42"H x 12"D
6" Front 24"H x 12"D	WRP624L-12D	WRP624M-12D	WRP624S-12D WRP624S-12D-PLY	6"W x 24"H x 12"D
6" Front 30"H x 12"D	WRP630L-12D	WRP630M-12D	WRP630S-12D WRP630S-12D-PLY	6"W x 30"H x 12"D
6" Front 36"H x 12"D	WRP636L-12D	WRP636M-12D	WRP636S-12D WRP636S-12D-PLY	6"W x 36"H x 12"D
6" Front 42"H x 12"D	WRP642L-12D	WRP642M-12D	WRP642S-12D WRP642S-12D-PLY	6"W x 42"H x 12"D
3" Front 24"H x 15"D	WRP324L-15D	WRP324M-15D	WRP324S-15D WRP324S-15D-PLY	3"W x 24"H x 15"D
3" Front 30"H x 15"D	WRP330L-15D	WRP330M-15D	WRP330S-15D WRP330S-15D-PLY	3"W x 30"H x 15"D
3" Front 36"H x 15"D	WRP336L-15D	WRP336M-15D	WRP336S-15D WRP336S-15D-PLY	3"W x 36"H x 15"D
3" Front 42"H x 15"D	WRP342L-15D	WRP342M-15D	WRP342S-15D WRP342S-15D-PLY	3"W x 42"H x 15"D
6" Front 24"H x 15"D	WRP624L-15D	WRP624M-15D	WRP624S-15D WRP624S-15D-PLY	6"W x 24"H x 15"D
6" Front 30"H x 15"D	WRP630L-15D	WRP630M-15D	WRP630S-15D WRP630S-15D-PLY	6"W x 30"H x 15"D
6" Front 36"H x 15"D	WRP636L-15D	WRP636M-15D	WRP636S-15D WRP636S-15D-PLY	6"W x 36"H x 15"D
6" Front 42"H x 15"D	WRP642L-15D	WRP642M-15D	WRP642S-15D WRP642S-15D-PLY	6"W x 42"H x 15"D
1.5" Front 24"H x 12"D			WRP1.524S-12D WRP1.524S-12D-PLY	1.5"W x 24"H x 12"D
1.5" Front 30"H x 12"D			WRP1.530S-12D WRP1.530S-12D-PLY	1.5"W x 30"H x 12"D
1.5" Front 36"H x 12"D			WRP1.536S-12D WRP1.536S-12D-PLY	1.5"W x 36"H x 12"D
1.5" Front 42"H x 12"D			WRP1.542S-12D WRP1.542S-12D-PLY	1.5"W x 42"H x 12"D
1.5" Front 24"H x 15"D			WRP1.524S-15D WRP1.524S-15D-PLY	1.5"W x 24"H x 15"D
1.5" Front 30"H x 15"D			WRP1.530S-15D WRP1.530S-15D-PLY	1.5"W x 30"H x 15"D
1.5" Front 36"H x 15"D			WRP1.536S-15D WRP1.536S-15D-PLY	1.5"W x 36"H x 15"D
1.5" Front 42"H x 15"D			WRP1.542S-15D WRP1.542S-15D-PLY	1.5"W x 42"H x 15"D



**FRAMED ACCESSORIES**



**FILLERS**

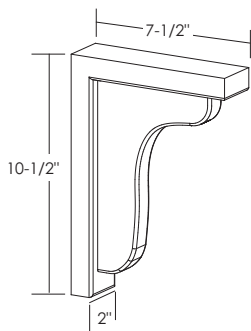
- Solid fillers will be stained or painted to match
- F\*84S-FINISHEDALLSIDES and F\*96S-FINISHEDALLSIDES have all four edges and front face finished
- \* Melamine fillers for use with London and Lucina finishes only

	3/4" Laminate	3/4" Solid	5/8" Melamine Fillers*	Actual Size
30" High	F330L F630L	F330S F630S	F330M F630M	3"W x 30"H 6"W x 30"H
42" High	F342L F642L	F342S F642S	F342M F642M	3"W x 42"H 6"W x 42"H
84" High	F384L F684L	F384S F684S F384S-FINISHEDALLSIDES F684S-FINISHEDALLSIDES	F384M F684M	3"W x 84"H 6"W x 84"H
96" High	F396L F696L	F396S F696S F396S-FINISHEDALLSIDES F696S-FINISHEDALLSIDES	F396M F696M	3"W x 96"H 6"W x 96"H

**BANDED FILLERS**

- One long edge banded 34.5 and 32.5 high
- 96" High is banded on both long edges

	3/4" Laminate	Actual Size
34.5" High	F334.5L-BANDED F634.5L-BANDED	3"W x 34.5"H 6"W x 34.5"H
32.5" High	F332.5L-BANDED F632.5L-BANDED	3"W x 32.5"H 6"W x 32.5"H
96" High	F396L-BANDED F696L-BANDED	

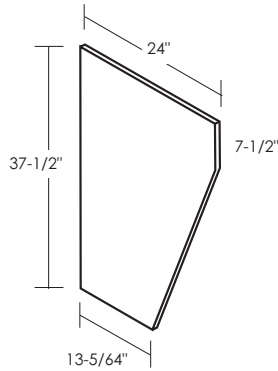


**COUNTER SUPPORT CORBEL**

- Solid wood painted or stained to match cabinet exterior

CS

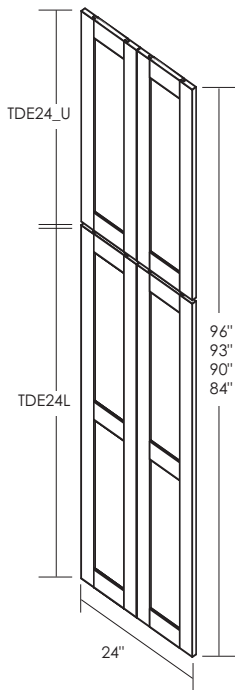
**FRAMED ACCESSORIES**



**DESK END PANEL**

- Finished on two faces
- Edgebanded on front edge
- For plywood panel, order with PLY designation
- Vertical grain only
- 1/2" thick

DEP  
DEP-PLY



**TALL DECORATIVE END PANELS**



- **TDE24\_U and TDE24L must be ordered together**
- TDE's are decorative doors for the sides of 24" D pantry cabinets
- Shipped loose for field installation
- TDE24\_U has two cabinet doors used for decorative ends on the upper section of tall cabinets
- TDE24L has two cabinet doors used for decorative ends on the lower section of tall cabinets



**UPPER PANELS**

TDE2496U  
TDE2493U  
TDE2490U  
TDE2484U

**LOWER PANEL**

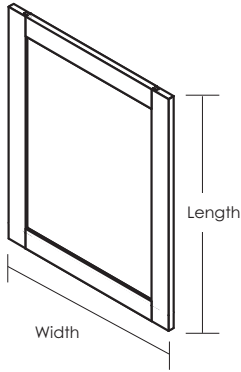
TDE24L

UPPER DOORS	Standard Overlay		Full Overlay		Extended Overlay	
	Width	Length	Width	Length	Width	Length
TDE2496U	11	40	11.75	41	11.75	41.25
TDE2493U	11	37	11.75	38	11.75	38.25
TDE2490U	11	34	11.75	35	11.75	35.25
TDE2484U	11	28	11.75	29	11.75	29.25

LOWER DOOR	Standard Overlay		Full Overlay		Extended Overlay	
	Width	Length	Width	Length	Width	Length
TDE24L	11	48.5	11.75	49.5	11.75	49.75

**FRAMED ACCESSORIES**

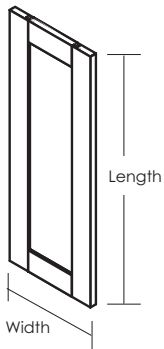
**BASE DECORATIVE END PANEL**



- BDE is a decorative door for the side of 24" deep base cabinets
- Shipped loose for field installation

	Standard Overlay		Full Overlay		Extended Overlay	
	Width	Length	Width	Length	Width	Length
BDE	22	28	23.5	29	23.5	29.25
BDE, AD21	19	28	20.5	29	20.5	29.25
HCBDE	22	25	23.5	26	23.5	26.25
HCBDE, AD21	19	25	20.5	26	20.5	26.25
VDE	19	25	20.5	26	20.5	26.25

**WALL DECORATIVE END PANELS**



- WDE are decorative doors for the sides of wall cabinets
- Shipped loose for field installation

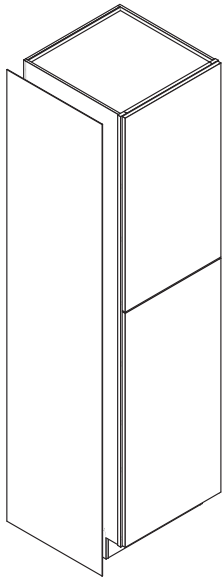
For 12" Deep Wall Cabinets	Standard Overlay		Full Overlay		Extended Overlay	
	Width	Length	Width	Length	Width	Length
WDE42	10	40	11.5	41	11.5	41.25
WDE39	10	37	11.5	38	11.5	38.25
WDE36	10	34	11.5	35	11.5	35.25
WDE30	10	28	11.5	29	11.5	29.25
WDE24	10	22	11.5	23	11.5	23.25

For 15" Deep Wall Cabinets	Standard Overlay		Full Overlay		Extended Overlay	
	Width	Length	Width	Length	Width	Length
WDE42, AD15	13	40	14.5	41	14.5	41.25
WDE39, AD15	13	37	14.5	38	14.5	38.25
WDE36, AD15	13	34	14.5	35	14.5	35.25
WDE30, AD15	13	28	14.5	29	14.5	29.25
WDE24, AD15	13	22	14.5	23	14.5	23.25

For 12" Deep Stacked Wall Cabinets	Standard Overlay		Full Overlay		Extended Overlay	
	Width	Length	Width	Length	Width	Length
WDE54	10	52	11.5	53	11.5	53.25
WDE51	10	49	11.5	50	11.5	50.25
WDE48	10	46	11.5	47	11.5	47.25

For 15" Deep Stacked Wall Cabinets	Standard Overlay		Full Overlay		Extended Overlay	
	Width	Length	Width	Length	Width	Length
WDE54, AD15	13	52	14.5	53	14.5	53.25
WDE51, AD15	13	49	14.5	50	14.5	50.25
WDE48, AD15	13	46	14.5	47	14.5	47.25

**FRAMED ACCESSORIES**



This application depicts a skin applied to a pantry cabinet

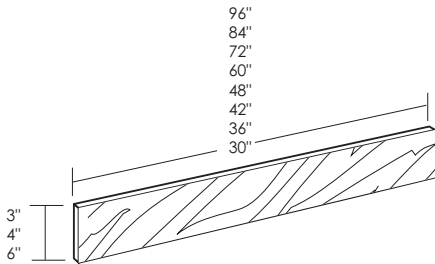
**END SKIN**

- Paper skin has color matching laminate on one side
- Veneer skin is stained or painted to match finish on one side

	1/8" Paper	3.6mm Veneer	Actual Size
Base	SK2434P	SK2434V	23-3/8"W x 34-1/2"H
30"H x 12"D Wall Cabinet	SK1230P	SK1230V	11-1/4"W x 30"H
42"H x 12"D Wall Cabinet	SK1242P	SK1242V	11-1/4"W x 42"H
30"H x 15"D Wall Cabinet	SK1530P	SK1530V	14-1/4"W x 30"H
42"H x 15"D Wall Cabinet	SK1542P	SK1542V	14-1/4"W x 42"H
84" Tall Pantry	SK2484P	SK2484V	23 3/8"W x 84"H
96" Tall Pantry	SK2496P	SK2496V	23 3/8"W x 96"H
48" Wide Base Skin	SK4834P	SK4834V	48"W x 34-1/2"H
1/2 Sheet	SK4848P		48"W x 48"H
Full Sheet	SK4896P		48"W x 96"H

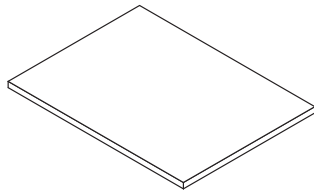
**VALANCES**

- Finished on one face and one long edge
- Field Trimmable
- 3/4"
- Horizontal long grain only



	3/4" Laminate Particle Board	3/4" Solid	Actual Size
3" Wide Valances	STVAL30X3L	STVAL30X3S	3"W x 30"L
	STVAL36X3L	STVAL36X3S	3"W x 36"L
	STVAL42X3L	STVAL42X3S	3"W x 42"L
	STVAL48X3L	STVAL48X3S	3"W x 48"L
	STVAL60X3L	STVAL60X3S	3"W x 60"L
	STVAL72X3L	STVAL72X3S	3"W x 72"L
	STVAL84X3L	STVAL84X3S	3"W x 84"L
	STVAL96X3L	STVAL96X3S	3"W x 96"L
	4" Wide Valances	STVAL30x4L	STVAL30x4S
STVAL36x4L		STVAL36x4S	4"W x 36"L
STVAL42x4L		STVAL42x4S	4"W x 42"L
STVAL48x4L		STVAL48x4S	4"W x 48"L
STVAL60x4L		STVAL60x4S	4"W x 60"L
STVAL72x4L		STVAL72x4S	4"W x 72"L
STVAL84x4L		STVAL84x4S	4"W x 84"L
STVAL96x4L		STVAL96x4S	4"W x 96"L
6" Wide Valances	STVAL30x6L	STVAL30x6S	6"W x 30"L
	STVAL36x6L	STVAL36x6S	6"W x 36"L
	STVAL42x6L	STVAL42x6S	6"W x 42"L
	STVAL48x6L	STVAL48x6S	6"W x 48"L
	STVAL60x6L	STVAL60x6S	6"W x 60"L
	STVAL72x6L	STVAL72x6S	6"W x 72"L
	STVAL84x6L	STVAL84x6S	6"W x 84"L
	STVAL96x6L	STVAL96x6S	6"W x 96"L

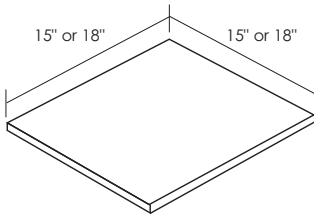
## FRAMED ACCESSORIES



### MICROWAVE SHELVES

- Grain pattern runs vertically
- Veneer plywood finished on both sides and edge banded on three edges

Shelf Name	Fits Microwave Cabinet	Cabinet Width	Shelf Width
MWS2718	MWC27_ _	27"	24"
MWS3018	MWC30_ _	30"	27"
MWS3318	MWC33_ _	33"	30"

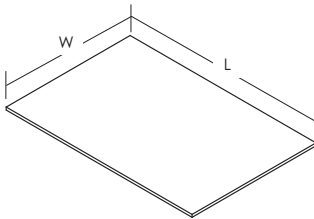


### WALL CABINET CORNER PLUG

- Available in plywood or composite panel
- Finish is available in natural or white

On composite panel:  
WCP15  
WCP18

On plywood panel:  
WCP15-PLY  
WCP18-PLY



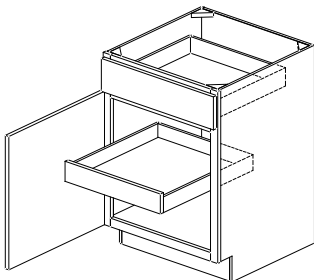
### FLOORS

#### Composite Panel

	L	W
FLOOR2	24"	24"
FLOOR3	36"	24"
FLOOR4	48"	24"

#### Plywood Panel

	L	W
FLOOR2-PLY	24"	24"
FLOOR3-PLY	36"	24"
FLOOR4-PLY	48"	24"



Shelf kit shown as installed above

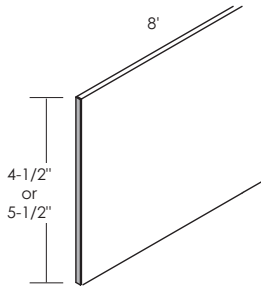
### ROLL OUT SHELF KIT

- Cabinet is ordered separately. Kit is installed in the field
- Available with side mounted guides only

For 24" depth cabinets		For 21" depth cabinets	
Particle Board	Plywood	Particle Board	Plywood
ROS12	ROS12-PLY	ROS12X21	ROS12X21-PLY
ROS15	ROS15-PLY	ROS15X21	ROS15X21-PLY
ROS18	ROS18-PLY	ROS18X21	ROS18X21-PLY
ROS21	ROS21-PLY	ROS21X21	ROS21X21-PLY
ROS24	ROS24-PLY	ROS24X21	ROS24X21-PLY
ROS27	ROS27-PLY	ROS27X21	ROS27X21-PLY
ROS30	ROS30-PLY	ROS30X21	ROS30X21-PLY
ROS33	ROS33-PLY	ROS33X21	ROS33X21-PLY
ROS36	ROS36-PLY	ROS36X21	ROS36X21-PLY

Fits 12" and 24" cabinets  
Fits 15" and 30" cabinets  
Fits 18" and 36" cabinets  
Fits 21" and 42" cabinets  
Fits 24" double door & 48" cabinets  
Fits 27" butt door cabinets  
Fits 30" butt door cabinets  
Fits 33" butt door cabinets  
Fits 36" butt door cabinets

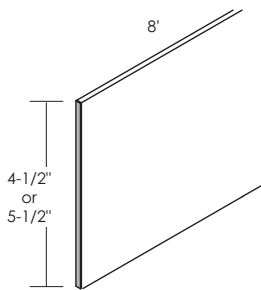
**FRAMED ACCESSORIES**



**TOE KICK OVERLAY**

- Color matching laminate on one side
- 8 ft. length
- 1/8" thick

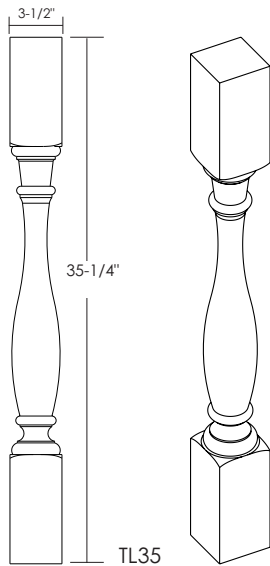
Laminated Particle Board	Laminated Plywood	Actual Size
TK	TKPW	4-1/2" x 96"
HCTK	HCTKPW	5-1/2" x 96"



**VENEER TOE KICK OVERLAY**

- Stained or painted to match finish on one side
- 8 ft. length
- 3.6mm thick

Veneer Particle Board	Actual Size
TKV	4-1/2" x 96"
HCTKV	5-1/2" x 96"

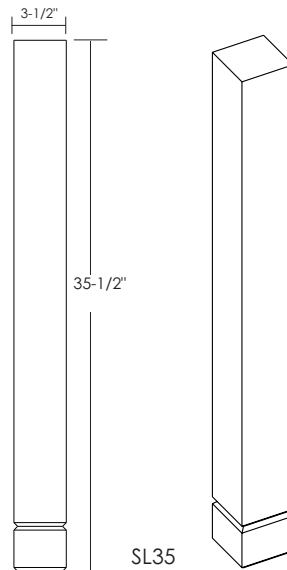


**DECORATIVE LEGS**

- Solid Maple
- Painted or stained

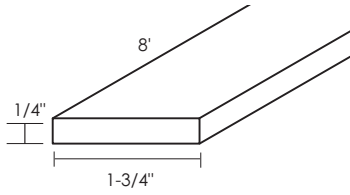
TL35 Turned Leg

SL35 Shaker Leg



## FRAMED ACCESSORIES

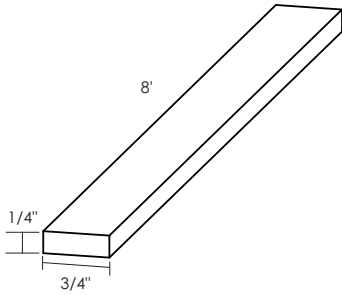
NEW

**BATTEN SCRIBE MOLDING**

- Laminated, painted or stained to match cabinet exterior
- Sold in 8 ft. lengths

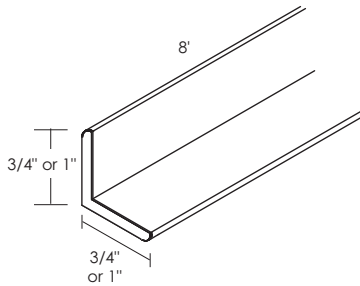
BAT175

NEW

**FLAT SCRIBE MOLDING**

- Laminated, painted or stained to match cabinet exterior
- Sold in 8 ft. lengths

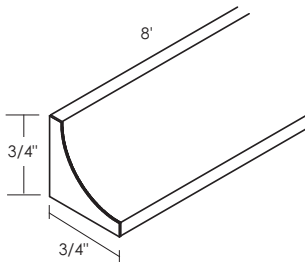
SCM75

**OUTSIDE MOLDING**

- Solid wood painted or stained to match cabinet exterior
- Sold in 8 ft. lengths

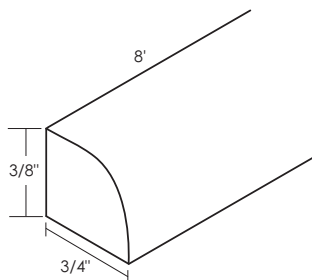
LOCM (1" x 1" x 8') – Large

OCM (3/4" x 3/4" x 8') – Small

**INSIDE MOLDING**

- Solid wood painted or stained to match cabinet exterior
- Sold in 8 ft. lengths

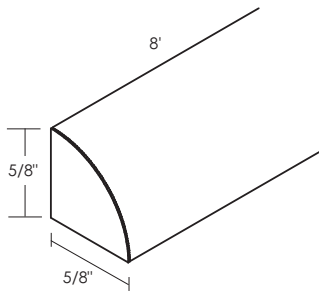
ICM

**SHOE MOLDING**

- Laminated, painted or stained to match cabinet exterior
- Sold in 8 ft. lengths

SHOEMS (3/4" x 3/8" x 8')

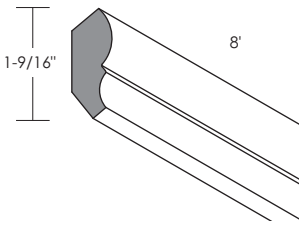
## FRAMED ACCESSORIES



### QUARTER ROUND

- Solid wood painted or stained to match cabinet exterior
- Sold in 8 ft. lengths

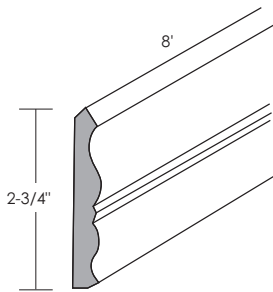
QR8 (5/8" x 5/8" x 8')



### SMALL CROWN MOLDING

- Solid wood painted or stained to match cabinet exterior
- Sold in 8 ft. lengths

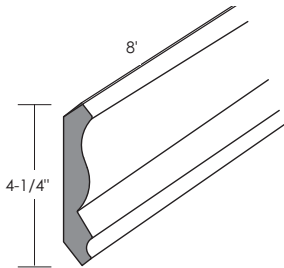
CROWNMS



### LARGE CROWN MOLDING

- Laminated, painted or stained to match cabinet exterior
- Sold in 8 ft. lengths

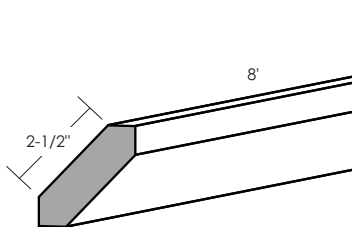
CROWNML



### ROYAL CROWN MOLDING

- Solid wood painted or stained to match cabinet exterior
- Sold in 8 ft. lengths

RCM



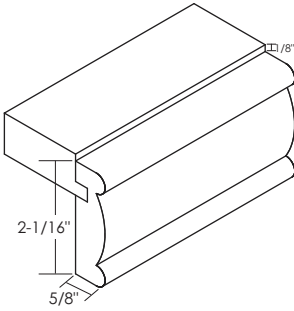
### SHAKER CROWN MOLDING

- Solid wood painted or stained to match cabinet exterior
- Sold in 8 ft. lengths

SHAKERM



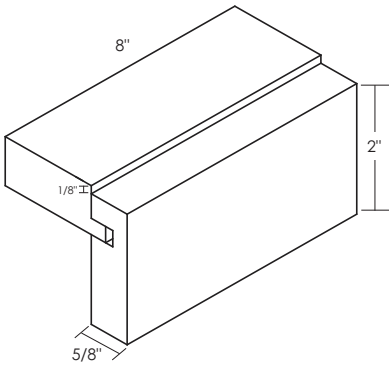
**FRAMED ACCESSORIES**



**LIGHT RAIL – TRADITIONAL**

- Solid maple stained or painted to match cabinet exterior
- Sold in 8 ft. lengths

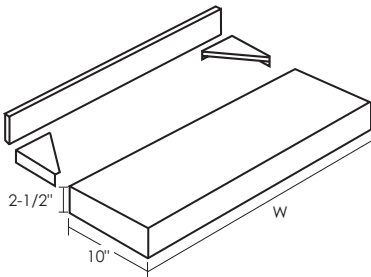
LRT



**LIGHT RAIL - SHAKER**

- Solid wood painted or stained to match cabinet exterior
- Sold in 8 ft. lengths

LRS

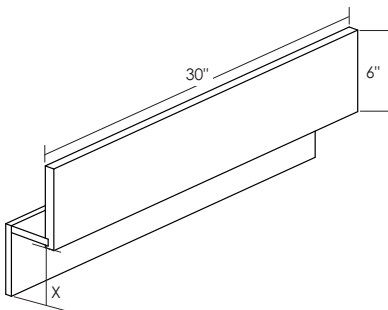


**FLOATING SHELVES**

- Available in Maple
- All exterior sides are stained or painted
- Outer shelf constructed with solid wood front and sides with veneered top and bottom
- Not trimmable
- Must be secured to studs in wall
- Installation instruction, screws and mounting brackets included
- Shelf supports 15lbs per lineal foot of shelf

Item	W	Maximum Load	# Brackets Included
FS24X10	24"	30lbs	2
FS30X10	30"	37lbs	2
FS36X10	36"	45lbs	3
FS42X10	42"	52lbs	3

**RANGE FRONT**



- Solid wood painted or stained to match cabinet exterior
- Toe kick and return attached
- Field trimmable in height and width

RF30  
HCRF30

	W	H	X
RF30	30"	10-1/2"	4-1/2"
HCRF30	30"	11-1/2"	5-1/2"

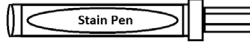
## FRAMED ACCESSORIES

### PUTTY STICKS



MAPLE	PAINT	OAK
PS-ASH MAPLE PS-CARAMEL MAPLE PS-CHESTNUT MAPLE PS-ESPRESSO MAPLE PS-HARVEST <b>NEW</b> PS-JAVA MAPLE PS-NATURAL MAPLE PS-OYSTER MAPLE PS-SABLE <b>NEW</b>	PS-ARBOR GREY <b>NEW</b> PS-GRAPHITE PS-LINEN PS-MID GREY PS-MIDNIGHT NAVY PS-ONYX PS-SAGEBRUSH <b>NEW</b> PS-TRUWHITE	PS-ASH PS-ESPRESSO OAK PS-GREY CASHMERE PS-JAVA OAK PS-NATURAL OAK
RTF	TRU TOUCH	LAMINATE
PS-ALABASTER PS-BARITONE PS-CHARCOAL LUX PS-COASTAL GREY PS-DRIFTWOOD PS-GRAPHITE PS-LIBRETTI PS-LINEA BLACK PS-NAVY LUX PS-PEBBLE LUX PS-SAGE <b>NEW</b> PS-SANDY ALDER PS-STEEL GREY PS-URBAN WALNUT PS-VINTAGE GREY PS-WHITE SATIN PS-WOOD GRAIN WHITE	PS-CHESTNUT PS-GREY CASHMERE PS-HARMONY PS-OBSIDIAN ASH PS-TIMELESS PS-WHITE TUSK	PS-GLACIER <b>NEW</b> PS-LIGHT TEAK PS-MIDNIGHT ECHO PS-MIDNIGHT TEAK PS-MORNING FOG PS-NATURAL ELM PS-WEATHERED OAK

## FRAMED ACCESSORIES



## STAIN PENS

MAPLE	PAINT	OAK
SP-ASH MAPLE SP-CARAMEL MAPLE SP-CHESTNUT MAPLE SP-ESPRESSO MAPLE SP-HARVEST <b>NEW</b> SP-JAVA MAPLE SP-NATURAL MAPLE SP-OYSTER MAPLE SP-SABLE <b>NEW</b>	SP-ARBOR GREY <b>NEW</b> SP-GRAPHITE SP-LINEN SP-MID GREY SP-MIDNIGHT NAVY SP-ONYX SP-SAGEBRUSH <b>NEW</b> SP-TRUWHITE	SP-ASH SP-ESPRESSO OAK SP-GREY CASHMERE SP-JAVA OAK SP-NATURAL OAK
RTF	TRUTOUCH	LAMINATE
SP-ALABASTER SP-BARITONE SP-CHARCOAL LUX SP-COASTAL GREY SP-DRIFTWOOD SP-GRAPHITE SP-LIBRETTI SP-LINEA BLACK SP-NAVY LUX SP-PEBBLE LUX SP-SAGE <b>NEW</b> SP-SANDY ALDER SP-STEEL GREY SP-URBAN WALNUT SP-VINTAGE GREY SP-WHITE SATIN SP-WOOD GRAIN WHITE	SP-CHESTNUT SP-GREY CASHMERE SP-HARMONY SP-OBSIDIAN ASH SP-TIMELESS SP-WHITE TUSK	SP-GLACIER <b>NEW</b> SP-LIGHT TEAK SP-MIDNIGHT ECHO SP-MIDNIGHT TEAK SP-MORNING FOG SP-NATURAL ELM SP-WEATHERED OAK



# EURO CABINETRY SPECIFICATIONS



## UPDATES TO EURO FRAMELESS CABINETY

### CONSTRUCTION UPDATES

Plywood Cabinet Construction  
 Undermount Soft-close Drawer Upgrade: Full extension with 100lb rated undermount guide with integrated soft close feature. 6-way adjustable hinge with integrated soft-close feature.

### DOOR STYLE ADDITIONS

New Maple Door Style - Parc . . . . . iv,v  
 New Paint Door Style - Chateau . . . . . iv,vi

### Door Finishes: See Style & Finish Guide

### WALL PRODUCT ADDITIONS

Double Door Walls with Mullion . . . . . E2  
 Wall Book Shelf Additional Sizes . . . . . E4  
 Double Door Walls with Mullion with Recessed Bottom . . . . . E8  
 Double Door Walls with Mullion with Long Doors . . . . . E11  
 Blind Wall Cabinets additional Sizes . . . . . E6, E9, E11

### BASE PRODUCT ADDITIONS

FDS Available On 36" Wide Bases . . . . . as marked  
 Base Double Door and Drawer with Mullion . . . . . F1  
 Pots and Pans Drawer Base with 2 Drawers . . . . . F3

### VANITY

3-Drawer, Full Height Door Combinations . . . . . F29  
 4-Drawer, Tall Full Height Door Combinations . . . . . F29

### UNIVERSAL ACCESS

Universal Access Base Double Door and Drawer with Mullion . . . . . F14  
 Universal Access Pots and Pans Drawer Base with 2 Drawers . . . . . F16  
 Universal Access Full Height Double Door Sink with 3-Drawers Combinations . . . . . F22  
 Universal Access Full Height Double Door Sink with 4-Drawers Combinations . . . . . F22

### TALL PRODUCT ADDITIONS

Universal Access Linen Cabinet with Drawers . . . . . G8

### ACCESSORIES

Plywood Return Panels . . . . . H1,H3  
 Plywood Fillers . . . . . H1  
 Plywood Baffles . . . . . H3  
 Plywood End Panel . . . . . H4  
 Plywood Desk End Panel . . . . . H5  
 Plywood Panels . . . . . H6  
 Plywood Skirts . . . . . H8  
 Plywood Toe Kick Overlay . . . . . H9  
 1-3/4" Scribe Molding, SCM175, has been renamed to Batten Molding BAT175 . . . . . H9  
 3/4" Flat Molding, FLATM75, has been renamed to Flat Scribe Molding SCM75 . . . . . H9  
 Plywood Roll Out Shelf Kits . . . . . H12  
 Plywood Adjustable Shelves . . . . . H13  
 Putty Sticks - Maple, Paint, and RTF . . . . . H14  
 Stain Pens - Maple, Paint, and RTF . . . . . H14

### DISCONTINUED ITEMS

Stain Quarts . . . . .H14



## EURO CABINETRY SPECIFICATIONS TABLE OF CONTENTS

### EURO CABINETS CONSTRUCTION

#### AND STYLES . . . . . ii-viii . . . . .

Euro Construction and Options . . . . .	ii-iii
Door Style Collections . . . . .	iv
Euro Door Style Specifications . . . . .	v-viii

#### EURO WALLS . . . . . E1-E12 . . . . .

Wall Cabinets . . . . .	E1-E2
Refrigerator Cabinets . . . . .	E3
Accessory Wall Cabinets . . . . .	E3-E4
Corner / Blind Wall Cabinets . . . . .	E5-E6
Recessed Bottom Wall Cabinets . . . . .	E7-E9
Long Door Wall Cabinets . . . . .	E10-E12
Bathroom Wall Cabinets . . . . .	E12

#### EURO BASES . . . . . F1-F36 . . . . .

##### STANDARD

Base Cabinets . . . . .	F1-F2
Drawer Base Cabinets . . . . .	F3
Accessory Base Cabinets . . . . .	F3-F4
Blind / Corner Base Cabinets . . . . .	F5-F6
Base Cabinets with Roll Out Shelves . . . . .	F7
Appliance Base Cabinets . . . . .	F8
Sink Base Cabinets . . . . .	F9-F10
Accessible/UFAS Base Cabinets . . . . .	F11-F12
Drawer Skirts . . . . .	F13

##### UNIVERSAL ACCESS

Base Cabinets . . . . .	F14-F15
Drawer Base Cabinets . . . . .	F16
Accessory Base Cabinets . . . . .	F16-F17
Blind / Corner Base Cabinets . . . . .	F18-F19
Appliance Base Cabinets . . . . .	F19
Base Cabinets with Roll Out Shelves . . . . .	F20
Sink Base Cabinets . . . . .	F21
Sink Base Combination . . . . .	F22
Accessible/UFAS Base Cabinets . . . . .	F23-F24

##### VANITY

Sink Base Cabinets . . . . .	F25
Full Height Door Vanity Base Cabinets . . . . .	F26
Door and Drawer Base Cabinets . . . . .	F27
Drawer Base Cabinets . . . . .	F28
Combo Sink Base Cabinets . . . . .	F29
Hanging Vanity Sink Base Cabinets . . . . .	F30-F31
UFAS Vanity Sink Base Cabinets . . . . .	F32

##### DESK

Door and Drawer Base Cabinets . . . . .	F33
Full Height Desk Base Cabinets . . . . .	F34
Desk Drawer Base Cabinets . . . . .	F35
Accessory Desk Base Cabinets . . . . .	F35

##### FURNITURE

Base Mud Room Open Cabinets with Dividers . . . . .	F36
---	-----

#### EURO TALLS . . . . . G1-G10 . . . . .

##### STANDARD

Pantry Cabinets . . . . .	G1-G2
Utility Cabinets . . . . .	G3-G4
Bookshelves . . . . .	G5
Linen Cabinets . . . . .	G6-G8
Oven Cabinets . . . . .	G9-G10

#### EURO ACCESSORIES . . . . . H1-H14 . . . . .

Panels, Fillers, Overlays, and Baffles . . . . .	H1-H6
Decorative End Panels . . . . .	H7
Supports, Skirts, and Valances . . . . .	H8
Toe Kick Overlays . . . . .	H9
Moldings . . . . .	H9-H11
Shelving . . . . .	H12-H13
Touch-Up Supplies . . . . .	H14

#### CABINETRY CARE GUIDE, WARRANTY

#### AND PRODUCT DISCLOSURE . . . . . I1-I3 . . . . .

#### INDEX . . . . . J1-J5 . . . . .

## STANDARD EURO FRAMELESS CONSTRUCTION AND OPTIONS

**1 END PANELS** — 5/8" thick (nominal) wood-based composite panel with matching laminate exterior surfaces. Construction holes of 8mm to receive wood dowels of horizontal components. End panel is dadoed to receive the back panel.

**2 TOP/BOTTOM PANELS** — 5/8" thick (nominal) wood-based composite panel attached to the end panels with wood dowels and glue. Base bottom also rests over the toe kick and rear stretcher for better support. The tops and bottoms dadoed to receive back panel.

**3 HANG RAILS** — 5/8" thick (nominal) wood-based composite panel. Hang rails are set underneath the top panel and above the bottom panel, always concealed behind the back panel. Our hang rails utilize wood dowel and glue construction. Cabinets 30" or wider feature a pocket screw at the center across the top and bottom for better strength.

**4 BACK PANEL** — 3mm thick hardboard laminated on one side in white, or matching laminate exterior surface. Fully captured and stapled to end panels, bottom and top or upper stretcher for bases.

**5 SHELVES** — 3/4" thick (nominal) wood-based composite panel with white laminate on both surfaces and matching edgeband on the facing edge. Wall cabinets feature full depth adjustable shelves. The Base cabinet features a half depth shelf with a frontal lock-in-place shelf clip. **Full Depth Shelf (FDS) Upgrade Option:** available on select base cabinets.

**6 TOE KICK** — **Standard:** 5/8" thick (nominal) unfinished wood-based composite panel. Toe kick is 4" high. **No Toe Kick (NTK) Upgrade Option:** available on select vanity cabinets

**7 BASE STRETCHERS** — 5/8" thick (nominal) unfinished wood-based composite panel, 3-3/4" width, running from left to right on the front and back at the top of the base cabinet. Front stretcher features matching exterior edgebanding on the facing side.

**8 STANDARD DRAWER CONSTRUCTION** — 5/8" thick (nominal) particleboard sides and end with 3mm captured drawer bottom. Drawer parts laminated white. Partial extension 100lb rated drawer guide is standard. 1/2" thick plywood with 3mm thick plywood bottom.

**Upgrade option for Standard Drawer Box:** Full extension 100lb rated undermount guides with integrated soft-close feature.

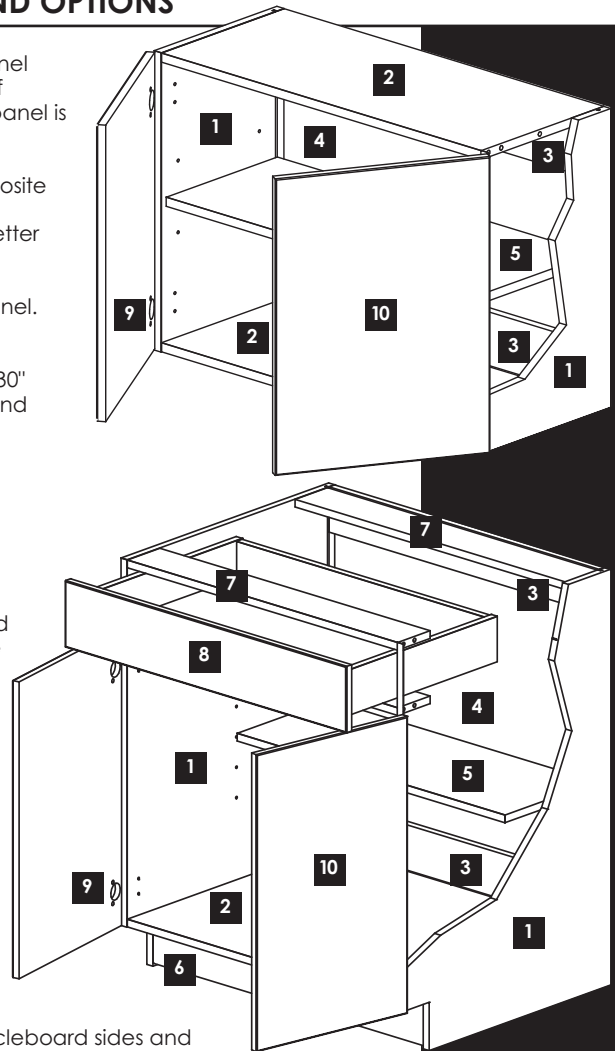
**Double Wall Drawer System:** Double-wall drawer system with integrated soft close feature. High quality epoxy coated steel construction with synchronized full extension soft-close drawer slides. Integrated height and width adjustments. Drawers have 5/8" thick (nominal) particleboard drawer bottoms and backs with a rating of 88 lbs dynamic load capacity

**9 HINGE** — **Standard:** 6-way adjustable concealed clip on hinges with 107 degree opening. **Upgrade Option:** 6-way adjustable concealed steel hinges with soft-close feature.

**10 DOORS** — Please refer to individual door style specifications

**ALTERED DEPTH (AD) OPTION** — Select wall cabinets can be increased to a 15" or 18" depth. Select base cabinets can be decreased to a 15", 18", 21" or 22" depth. AD availability is noted by cabinet within the Product Specifications Guide.

**ROUTE FOR GLASS DOORS (RFG)** — Route for glass door option is available for selective wall cabinets. This option will automatically come with a matching interior. Doors prepared for glass do not include glass or glass fasteners. RFG is not available for Forza, Lucerne, Lugano or Parc door styles.



## PLYWOOD EURO FRAMELESS CONSTRUCTION AND OPTIONS

- 1 END PANELS** — 5/8" thick (nominal) plywood with matching laminate exterior surfaces. Construction holes of 8mm to receive wood dowels of horizontal components. Endpanel is dadoed to receive the back panel.
- 2 TOP/BOTTOM PANELS** — 5/8" thick (nominal) plywood attached to the end panels with wood dowels and glue. Base bottom also rests over the toe kick and rear stretcher for better support. The tops and bottoms are dadoed to receive back panel.
- 3 HANG RAILS** — 5/8" thick (nominal) plywood panel. Hang rails are set underneath the top panel and above the bottom panel, always concealed behind the back panel. Our hang rails utilize wood dowel and glue construction. Cabinets 30" or wider feature a pocket screw at the center across the top and bottom for better strength.

- 4 BACK PANEL** — 3mm thick plywood laminated on one side in white, or matching laminate exterior surface. Fully captured and stapled to the end panels, bottom and top or upper stretcher for bases.
- 5 SHELVES** — 3/4" thick (nominal) plywood panel with white laminate on both surfaces and matching edgeband on the facing edge. Wall cabinets feature full depth adjustable shelves. Base cabinets features a half depth shelf with a frontal lock-in-place shelf clip.

**Full Depth Shelf (FDS) Upgrade Option:** available on select base cabinets.

- 6 TOE KICK** — **Standard:** 5/8" thick (nominal) unfinished plywood. Toe kick is 4" high.
- No Toe Kick (NTK) Upgrade Option:** available on select vanity cabinets
- 7 BASE STRETCHERS** — 5/8" thick (nominal) plywood, 3-3/4" width, running from left to right on the front and back at the top of the base cabinet. Frontal stretcher features matching exterior edgebanding on the facing side.
- 8 DRAWER BOX** — 1/2" thick (nominal) plywood drawer sides and ends with 3mm thick plywood drawer bottom. Plywood drawer box is natural finish. Partial extension 100lb rated drawer guide is standard.

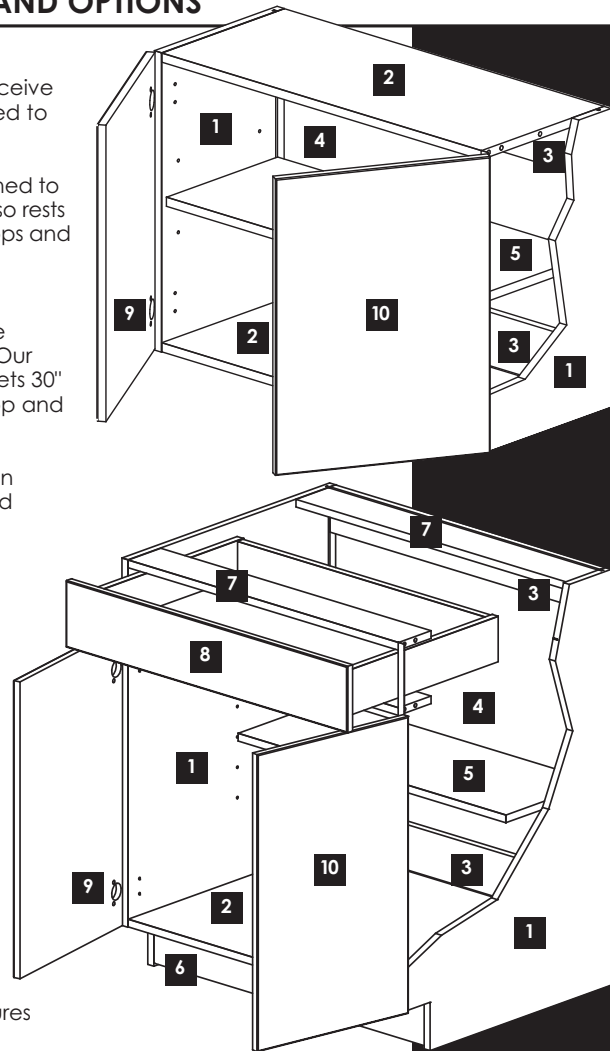
**Upgrade option for Plywood Drawer Box:** Full extension 100lb rated undermount guide with integrated soft-close feature.

**Double Wall Drawer System:** Double-wall drawer system with integrated soft close feature. High quality epoxy coated steel construction with synchronized full extension soft-close drawer slides. Integrated height and width adjustments. Drawers have 5/8" thick (nominal) plywood drawer bottoms and backs with a rating of 88 lbs dynamic load capacity.

- 9 HINGE** — **Standard:** 6-way adjustable concealed clip on hinges with 107 degree opening. **Upgrade Option:** 6-way adjustable concealed steel hinges with soft-close feature.
- 10 DOORS** — Please refer to individual door style specifications

**ALTERED DEPTH (AD) OPTION** — Select wall cabinets can be increased to a 15" or 18" depth. Select base cabinets can be decreased to a 15", 18", 21" or 22" depth. AD availability is noted by cabinet within the Product Specifications Guide.

**ROUTE FOR GLASS DOORS (RFG)** — Route for glass door option is available for selective wall cabinets. This option will automatically come with a matching interior. Doors prepared for glass do not include glass or glass fasteners. RFG is not available for Forza, Lucerne, Lugano or Parc door styles.

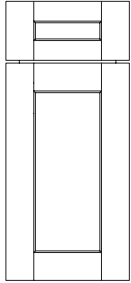




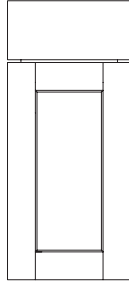
## EURO DOOR STYLES BY COLLECTION

### MAPLE

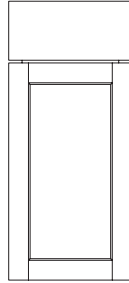
FULL OVERLAY



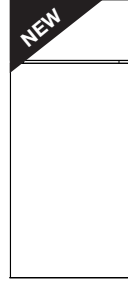
Alto 5PC



Astra



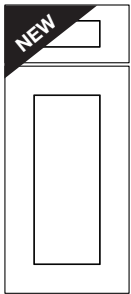
Cava



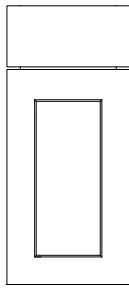
Parc

### PAINT

FULL OVERLAY



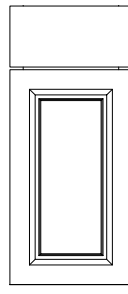
Chateau



Costa



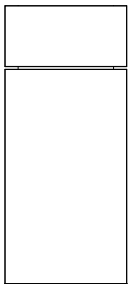
Prato



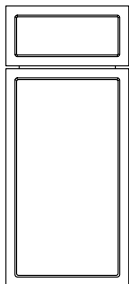
Risano

### THERMOFOIL

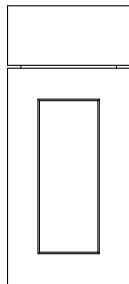
FULL OVERLAY



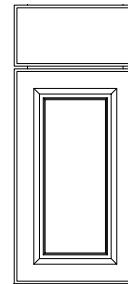
Corso



Forza



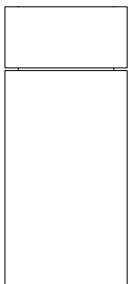
Sorano



Vittoria

### TRUTOUCH

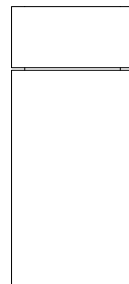
FULL OVERLAY



Lugano

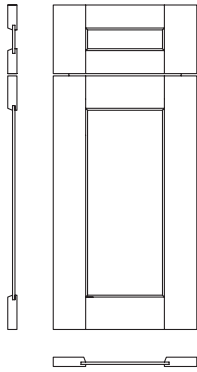
### LAMINATE

FULL OVERLAY



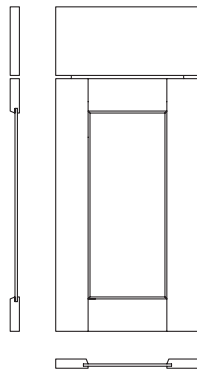
Lucerne

## EURO MAPLE DOORS



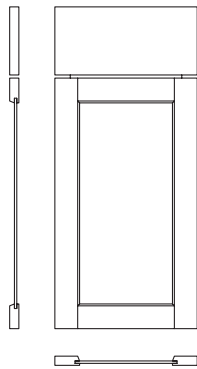
### ALTO 5PC

- Flat panel shaker door style with oversized rails and stiles
- Hardwood door and drawer front
- Full overlay
- Five-piece drawer front
- Route for glass door option available for wall cabinets.  
Doors prepared for glass do not include glass or glass fasteners.
- Hardware is required
- Use of solid accessories is recommended



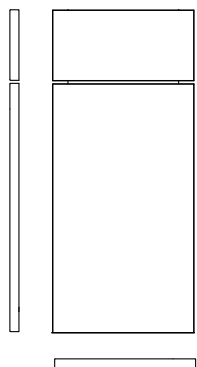
### ASTRA

- Flat panel shaker door style with oversized rails and stiles
- Hardwood door and drawer front
- Full overlay
- Route for glass door option available for wall cabinets.  
Doors prepared for glass do not include glass or glass fasteners.
- Hardware is required
- Use of solid accessories is recommended



### CAVA

- Flat panel shaker door style with cope-joined construction
- Hardwood door and drawer front
- Full overlay
- Route for glass door option available for wall cabinets.  
Doors prepared for glass do not include glass or glass fasteners.
- Hardware is required
- Use of solid accessories is recommended



### PARC

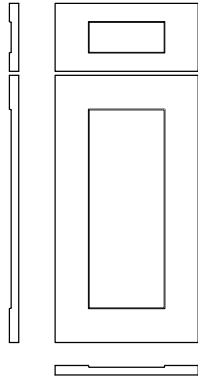
- Hardwood veneer slab door style
- Hardwood door and drawer front
- Full overlay
- Hardware is required
- Use of solid accessories is recommended

**NEW**

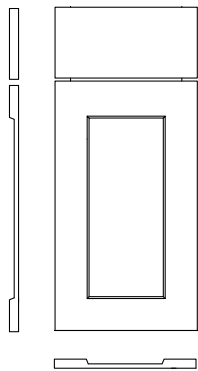
Please refer to  
our current  
**DOOR STYLES &  
FINISHES GUIDE**  
for available  
finishes

## EURO PAINTED DOORS

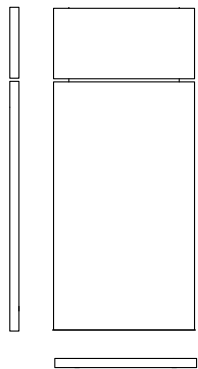
Please refer to our current **DOOR STYLES & FINISHES GUIDE** for available finishes

**CHATEAU**

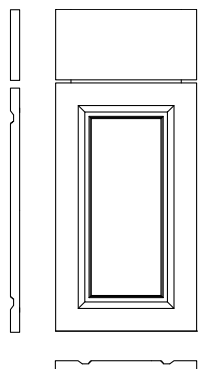
- Shaker door style
- 3/4" thick fiberboard door and drawer front
- Durable and easy to clean
- Full overlay
- Color matching back
- Door and drawer front have clear top coat over painted finish
- Route for glass door option available for wall cabinets.  
Doors prepared for glass do not include glass or glass fasteners.
- Hardware is required

**NEW****COSTA**

- Shaker door style
- 3/4" thick fiberboard door and drawer front
- Durable and easy to clean
- Full overlay
- Color matching back
- Door and drawer front have clear top coat over painted finish
- Route for glass door option available for wall cabinets.  
Doors prepared for glass do not include glass or glass fasteners.
- Hardware is required

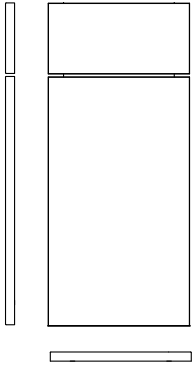
**PRATO**

- Slab door style
- 3/4" thick fiberboard door and drawer front
- Durable and easy to clean
- Full overlay
- Color matching back
- Door and drawer front have clear top coat over painted finish
- Route for glass door option available for wall cabinets.  
Doors prepared for glass do not include glass or glass fasteners.
- Hardware is required

**RISANO**

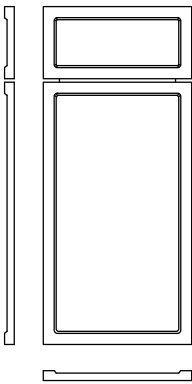
- Raised panel door style
- 3/4" thick fiberboard door and drawer front
- Durable and easy to clean
- Full overlay
- Color matching back
- Door and drawer front have clear top coat over painted finish
- Route for glass door option available for wall cabinets.  
Doors prepared for glass do not include glass or glass fasteners.
- Hardware is required

## EURO THERMOFOIL DOORS



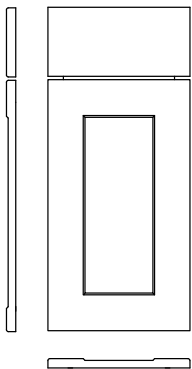
### CORSO

- 3D laminate slab door with decreased reveal between door and drawer front
- 5/8" thick melamine-backed doors and drawer fronts
- Durable and easy to clean
- Full overlay
- Route for glass door option available for wall cabinets.  
Doors prepared for glass do not include glass or glass fasteners.
- Hardware is required



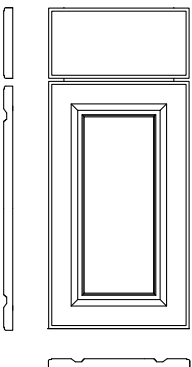
### FORZA

- 3D laminate narrow shaker style for door and drawer front
- 13/16" thick melamine-backed doors and drawer fronts
- Durable and easy to clean
- Full overlay
- Route for glass is not available for this door style
- Hardware is required
- Drawer heads that are smaller than 12" wide will be slab style



### SORANO

- 3D laminate flat panel, shaker door style
- 5/8" thick melamine-backed doors and drawer fronts
- Durable and easy to clean
- Full overlay
- Route for glass door option available for wall cabinets.  
Doors prepared for glass do not include glass or glass fasteners.
- Hardware is required



### VITTORIA

- 3D laminate raised panel door style with routed edges
- 5/8" thick melamine-backed doors and drawer fronts
- Durable and easy to clean
- Full overlay
- Route for glass door option available for wall cabinets.  
Doors prepared for glass do not include glass or glass fasteners.
- Hardware is required

Please refer to  
our current  
**DOOR STYLES &  
FINISHES GUIDE**  
for available  
finishes

## EURO TRUTOUCH DOOR

Please refer to our current **DOOR STYLES & FINISHES GUIDE** for available finishes



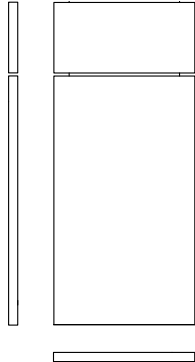
### LUGANO

- Thermofused laminate slab door style with TruTouch finish\*
- 5/8" thick door and drawer front
- 1mm thick edgebanding on four sides
- Vertical grain on door and drawer fronts
- Durable, scratch resistant melamine door resists damage and cleans easily
- Full overlay
- Door back matches door front
- Hardware is required
- Route for glass is not available for this door style

\*Leedo's TruTouch Thermofused Technology replicates both the beauty and feel of natural wood cabinets, producing a visually stunning, realistic high-end product with extraordinary durability.

## EURO LAMINATE DOORS

Please refer to our current **DOOR STYLES & FINISHES GUIDE** for available finishes

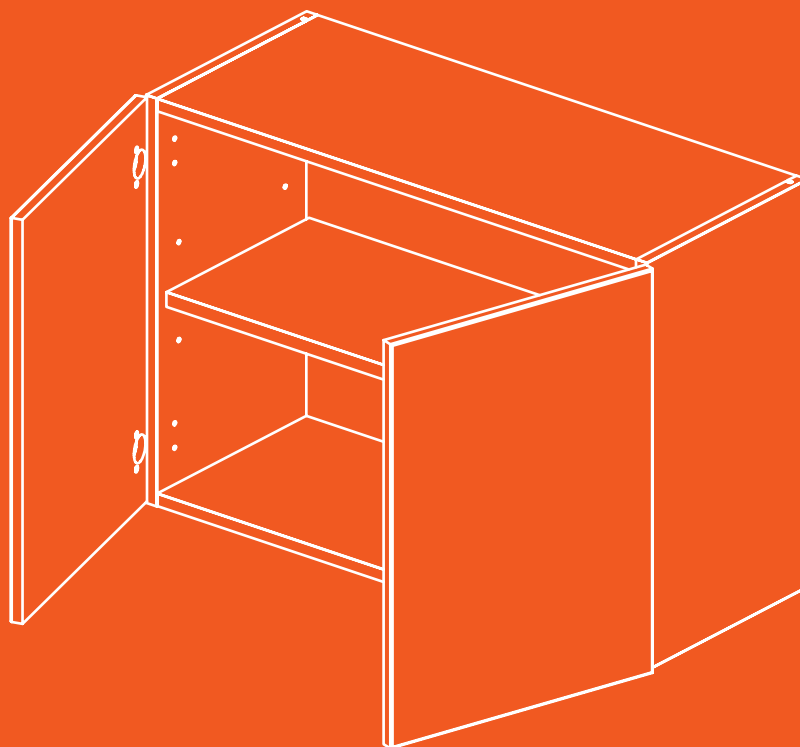


### LUCERNE

- Melamine slab door on particleboard
- 5/8" thick door and drawer front
- Edgebanding on four sides
- Durable and easy to clean
- Full overlay
- Door back matches door front
- Hardware is required
- Route for glass is not available for this door style

# EURO WALLS

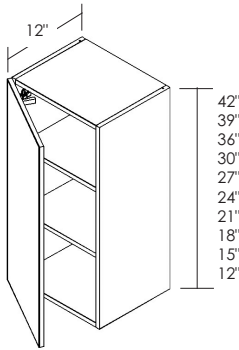
---





## WALL CABINERY

AD = Altered depth option



### SINGLE DOOR WALL

- Two hinges per door, except 42" high cabinets have three hinges per door
- Specify L or R door hinging
- **AD 15"**

#### 42" High (3 shelves)

W0942 L or R  
W1242 L or R  
W1542 L or R  
W1842 L or R  
W2142 L or R  
W2442 L or R

#### 24" High (1 shelf)

W0924 L or R  
W1224 L or R  
W1524 L or R  
W1824 L or R  
W2124 L or R  
W2424 L or R

#### 39" High (2 shelves)

W0939 L or R  
W1239 L or R  
W1539 L or R  
W1839 L or R  
W2139 L or R  
W2439 L or R

#### 21" High (1 shelf)

W0921 L or R  
W1221 L or R  
W1521 L or R  
W1821 L or R  
W2121 L or R  
W2421 L or R

#### 36" High (2 shelves)

W0936 L or R  
W1236 L or R  
W1536 L or R  
W1836 L or R  
W2136 L or R  
W2436 L or R

#### 18" High (No shelf)

W0918 L or R  
W1218 L or R  
W1518 L or R  
W1818 L or R  
W2118 L or R  
W2418 L or R

#### 30" High (2 shelves)

W0930 L or R  
W1230 L or R  
W1530 L or R  
W1830 L or R  
W2130 L or R  
W2430 L or R

#### 15" High (No Shelf)

W0915 L or R  
W1215 L or R  
W1515 L or R  
W1815 L or R  
W2115 L or R  
W2415 L or R

#### 27" High (1 shelf)

W0927 L or R  
W1227 L or R  
W1527 L or R  
W1827 L or R  
W2127 L or R  
W2427 L or R

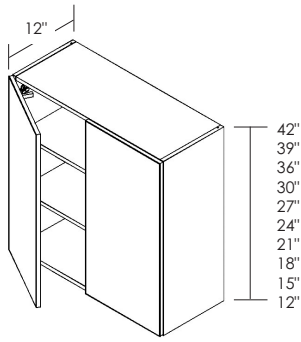
#### 12" High (No shelf)

W0912 L or R  
W1212 L or R  
W1512 L or R  
W1812 L or R  
W2112 L or R  
W2412 L or R



## WALL CABINETRY

AD = Altered depth option



## DOUBLE DOOR WALL

- Two hinges per door, except 42" high cabinets have three hinges per door
- AD 15"

**42" High (3 shelves)**

W2442  
W2742  
W3042  
W3342  
W3642  
W3942

**24" High (1 shelf)**

W2424  
W2724  
W3024  
W3324  
W3624  
W3924

**39" High (2 shelves)**

W2439  
W2739  
W3039  
W3339  
W3639  
W3939

**21" High (1 shelf)**

W2421  
W2721  
W3021  
W3321  
W3621  
W3921

**36" High (2 shelves)**

W2436  
W2736  
W3036  
W3336  
W3636  
W3936

**18" High (No shelf)**

W2418  
W2718  
W3018  
W3318  
W3618  
W3918

**30" High (2 shelves)**

W2430  
W2730  
W3030  
W3330  
W3630  
W3930

**15" High (No shelf)**

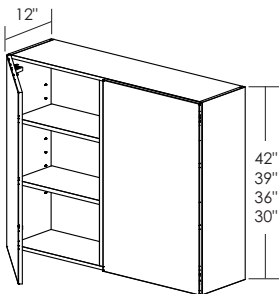
W2415  
W2715  
W3015  
W3315  
W3615  
W3915

**27" High (1 shelf)**

W2427  
W2727  
W3027  
W3327  
W3627  
W3927

**12" High (No shelf)**

W2412  
W2712  
W3012  
W3312  
W3612  
W3912



## DOUBLE DOOR WALL WITH MULLION

- Two hinges per door, except 42" high cabinets have three hinges per door
- AD 15"

**42" High (3 shelves)**

W4242  
W4542  
W4842

**36" High (2 shelves)**

W4236  
W4536  
W4836

**39" High (2 shelves)**

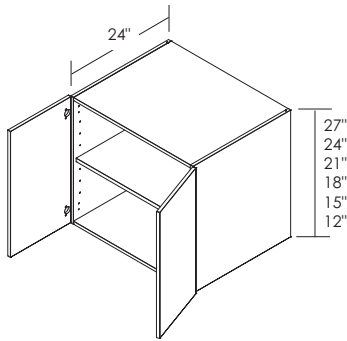
W4239  
W4539  
W4839

**30" High (shelves)**

W4230  
W4530  
W4830

NEW

## WALL CABINERY



### 24" DEEP DOUBLE DOOR REFRIGERATOR WALL

- Two hinges per door
- Must be installed between tall cabinetry and/or walls of equal or greater depth for proper support. These should never be hung on a wall by themselves.

#### 27" High (1 shelf)

W2727X24  
W3027X24  
W3327X24  
W3627X24  
W3927X24

#### 18" High (No shelf)

W2718X24  
W3018X24  
W3318X24  
W3618X24  
W3918X24

#### 24" High (1 shelf)

W2724X24  
W3024X24  
W3324X24  
W3624X24  
W3924X24

#### 15" High (No shelf)

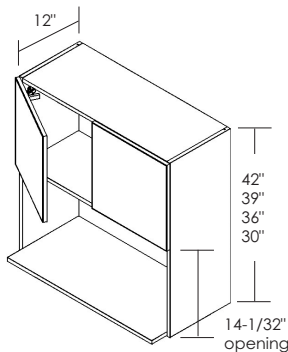
W2715X24  
W3015X24  
W3315X24  
W3615X24  
W3915X24

#### 21" High (1 shelf)

W2721X24  
W3021X24  
W3321X24  
W3621X24  
W3921X24

#### 12" High (No shelf)

W2712X24  
W3012X24  
W3312X24  
W3612X24  
W3912X24



### MICROWAVE WALL CABINETS WITH DOORS

- Two hinges per door
- Color matching interior
- **12" deep microwave cabinets have a bottom which extends 4" to a depth of 16"**
- **The bottom is flush on 18" and 21" deep microwave cabinets**
- **Not designed to be used with microwave trim kits**
- **AD 18" and 21"**

#### 42" High

MWC2742  
MWC3042  
MWC3342

#### 36" High

MWC2736  
MWC3036  
MWC3336

#### 39" High

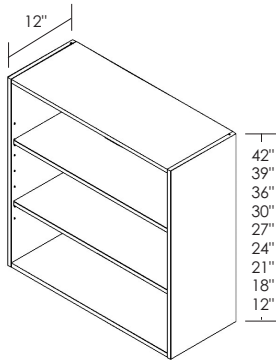
MWC2739  
MWC3039  
MWC3339

#### 30" High

MWC2730  
MWC3030  
MWC3330

## WALL CABINETS

AD = Altered depth option



## WALL BOOK SHELF CABINETS

- Adjustable shelves
- Color matching interior
- **AD 15"**

**42" High (3 shelves)**

WBS1242  
WBS1542  
WBS1842  
WBS2142  
WBS2442  
WBS2742  
WBS3042  
WBS3342 **NEW**  
WBS3642 **NEW**

**30" High (2 shelves)**

WBS1230  
WBS1530  
WBS1830  
WBS2130  
WBS2430  
WBS2730  
WBS3030  
WBS3330 **NEW**  
WBS3630 **NEW**

**21" High (1 shelf)**

WBS1221  
WBS1521  
WBS1821  
WBS2121  
WBS2421  
WBS2721  
WBS3021  
WBS3321 **NEW**  
WBS3621 **NEW**

**39" High (2 shelves)**

WBS1239  
WBS1539  
WBS1839  
WBS2139  
WBS2439  
WBS2739  
WBS3039  
WBS3339 **NEW**  
WBS3639 **NEW**

**27" High (1 shelf)**

WBS1227  
WBS1527  
WBS1827  
WBS2127  
WBS2427  
WBS2727  
WBS3027  
WBS3327 **NEW**  
WBS3627 **NEW**

**18" High (No shelf)**

WBS1218  
WBS1518  
WBS1818  
WBS2118  
WBS2418  
WBS2718  
WBS3018  
WBS3318 **NEW**  
WBS3618 **NEW**

**36" High (2 shelves)**

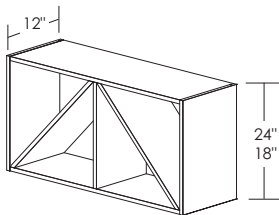
WBS1236  
WBS1536  
WBS1836  
WBS2136  
WBS2436  
WBS2736  
WBS3036  
WBS3336 **NEW**  
WBS3636 **NEW**

**24" High (1 shelf)**

WBS1224  
WBS1524  
WBS1824  
WBS2124  
WBS2424  
WBS2724  
WBS3024  
WBS3324  
WBS3624

**12" High (No shelf)**

WBS1212  
WBS1512  
WBS1812  
WBS2112  
WBS2412  
WBS2712  
WBS3012  
WBS3312 **NEW**  
WBS3612 **NEW**



## WINE STORAGE CABINET

- Color matching interior

**24" High**

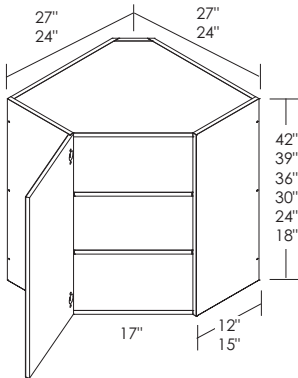
WSC3024  
WSC3624

**18" High**

WSC3018  
WSC3618

## WALL CABINETY

AD = Altered depth option



### CORNER WALL CABINETS

- Two hinges per door, except 42" high cabinets have three hinges per door
- Specify L or R door hinging
- For full overlay door styles, it is recommended to use fillers on each side of cabinet to ensure proper door operation
- **CW27's are 15"D**

#### 42" High (3 shelves)

CW2442 L or R  
CW2742 L or R

#### 30" High (2 shelves)

CW2430 L or R  
CW2730 L or R

#### 39" High (2 shelves)

CW2439 L or R  
CW2739 L or R

#### 24" High (2 shelves)

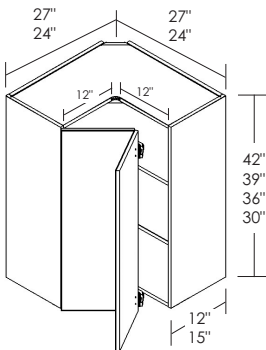
CW2424 L or R  
CW2724 L or R

#### 36" High (2 shelves)

CW2436 L or R  
CW2736 L or R

#### 18" High (No shelf)

CW2418 L or R  
CW2718 L or R



### WALL EASY REACH

- Three hinges per door, except 30" high cabinets have two hinges per door
- Bifold doors are hinged together
- Specify L or R door hinging
- **WER27's are 15"D**
- **Soft-close hinge is not available for this cabinet**

#### 42" High (3 shelves)

WER2442 L or R  
WER2742 L or R

#### 39" High (2 shelves)

WER2439 L or R  
WER2739 L or R

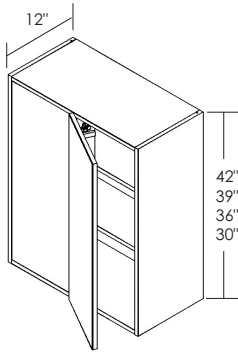
#### 36" High (2 shelves)

WER2436 L or R  
WER2736 L or R

#### 30" High (2 shelves)

WER2430 L or R  
WER2730 L or R

## WALL CABINETRY



### SINGLE DOOR BLIND WALL CABINETS

- Two hinges per door, except 42" high cabinets have three hinges per door
- Specify L or R door hinging and blind location

#### 42" High (3 shelves)

BW24/2742 L or R  
 BW27/3042 L or R  
 BW30/3342 L or R  
 BW33/3642 L or R  
 BW36/3942 L or R

#### 36" High (2 shelves)

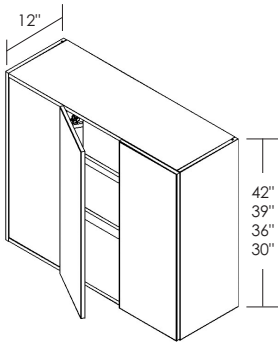
BW24/2736 L or R  
 BW27/3036 L or R  
 BW30/3336 L or R  
 BW33/3636 L or R  
 BW36/3936 L or R

#### 39" High (2 shelves)

BW24/2739 L or R  
 BW27/3039 L or R  
 BW30/3339 L or R  
 BW33/3639 L or R  
 BW36/3939 L or R

#### 30" High (2 shelves)

BW24/2730 L or R  
 BW27/3030 L or R  
 BW30/3330 L or R  
 BW33/3630 L or R  
 BW36/3930 L or R



### DOUBLE DOOR BLIND WALL CABINETS

- Two hinges per door, except 42" high cabinets have three hinges per door
- Specify L or R blind location

#### 42" High (3 shelves)

BW39/4242 L or R  
 BW42/4542 L or R **NEW**

#### 36" High (2 shelves)

BW39/4236 L or R  
 BW42/4536 L or R **NEW**

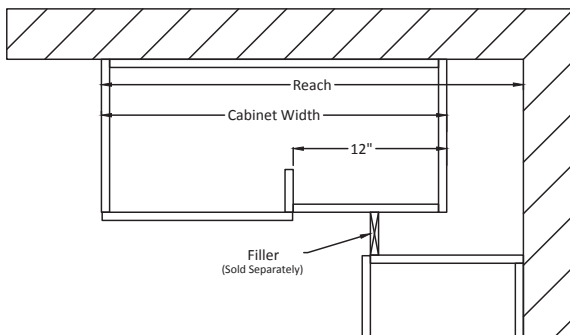
#### 39" High (2 shelves)

BW39/4239 L or R  
 BW42/4539 L or R **NEW**

#### 30" High (2 shelves)

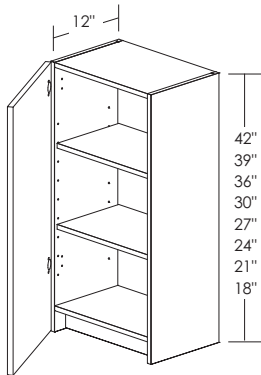
BW39/4230 L or R  
 BW42/4530 L or R **NEW**

### TYPICAL BLIND WALL LAYOUT



CABINET	CABINET WIDTH	CABINET REPLACED	REACH
BW24/27XX	24	12	25-1/2 – 28-1/2
BW27/30XX	27	15	28-1/2 – 31-1/2
BW30/33XX	30	18	31-1/2 – 33-1/2
BW33/36XX	33	21	33-1/2 – 37-1/2
BW36/39XX	36	24	37-1/2 – 40-1/2
BW39/42XX	39	27	40-1/2 – 43-1/2
BW42/45XX	42	30	43-1/2 – 46-1/2

## WALL CABINETY



### SINGLE DOOR WALL WITH RECESSED BOTTOM

- Two hinges per door, except 42" high cabinets have three hinges per door
- 70mm integrated light rail
- Specify L or R door hinging
- Top and Bottom are always White
- **AD 15"**

#### 42" High (3 shelves)

W0942RC L or R  
W1242RC L or R  
W1542RC L or R  
W1842RC L or R  
W2142RC L or R  
W2442RC L or R

#### 27" High (1 shelf)

W0927RC L or R  
W1227RC L or R  
W1527RC L or R  
W1827RC L or R  
W2127RC L or R  
W2427RC L or R

#### 39" High (2 shelves)

W0939RC L or R  
W1239RC L or R  
W1539RC L or R  
W1839RC L or R  
W2139RC L or R  
W2439RC L or R

#### 24" High (1 shelf)

W0924RC L or R  
W1224RC L or R  
W1524RC L or R  
W1824RC L or R  
W2124RC L or R  
W2424RC L or R

#### 36" High (2 shelves)

W0936RC L or R  
W1236RC L or R  
W1536RC L or R  
W1836RC L or R  
W2136RC L or R  
W2436RC L or R

#### 21" High (1 shelf)

W0921RC L or R  
W1221RC L or R  
W1521RC L or R  
W1821RC L or R  
W2121RC L or R  
W2421RC L or R

#### 30" High (2 shelves)

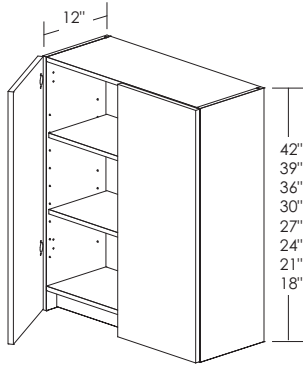
W0930RC L or R  
W1230RC L or R  
W1530RC L or R  
W1830RC L or R  
W2130RC L or R  
W2430RC L or R

#### 18" High (no shelf)

W0918RC L or R  
W1218RC L or R  
W1518RC L or R  
W1818RC L or R  
W2118RC L or R  
W2418RC L or R

## WALL CABINETRY

AD = Altered depth option



## DOUBLE DOOR WALL WITH RECESSED BOTTOM

- Two hinges per door, except 42" high cabinets have three hinges per door
- 70mm integrated light rail
- Top and Bottom are always White
- **AD 15"**

**42" High (3 shelves)**

W2442RC  
W2742RC  
W3042RC  
W3342RC  
W3642RC  
W3942RC

**30" High (2 shelves)**

W2430RC  
W2730RC  
W3030RC  
W3330RC  
W3630RC  
W3930RC

**21" High (1 shelf)**

W2421RC  
W2721RC  
W3021RC  
W3321RC  
W3621RC  
W3921RC

**39" High (2 shelves)**

W2439RC  
W2739RC  
W3039RC  
W3339RC  
W3639RC  
W3939RC

**27" High (1 shelf)**

W2427RC  
W2727RC  
W3027RC  
W3327RC  
W3627RC  
W3927RC

**18" High (no shelf)**

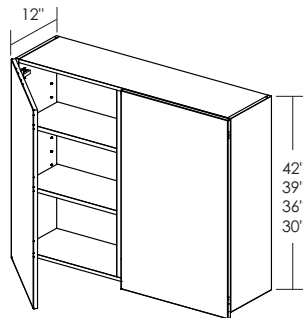
W2418RC  
W2718RC  
W3018RC  
W3318RC  
W3618RC  
W3918RC

**36" High (2 shelves)**

W2436RC  
W2736RC  
W3036RC  
W3336RC  
W3636RC  
W3936RC

**24" High (1 shelf)**

W2424RC  
W2724RC  
W3024RC  
W3324RC  
W3624RC  
W3924RC



## DOUBLE DOOR WALL WITH MULLION WITH RECESSED BOTTOM

- Two hinges per door, except 42" high cabinets have three hinges per door
- 70mm integrated light rail.
- Top and Bottom are always White
- **AD 15"**

**42" High (3 shelves)**

W4242RC  
W4542RC  
W4842RC

**36" High (2 shelves)**

W4236RC  
W4536RC  
W4836RC

**39" High (2 shelves)**

W4239RC  
W4539RC  
W4839RC

**30" High (2 shelves)**

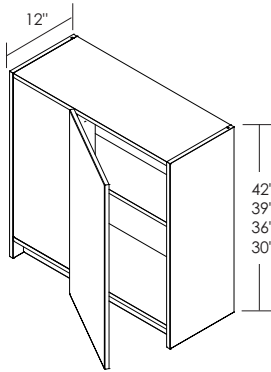
W4230RC  
W4530RC  
W4830RC

NEW

## WALL CABINETY

AD = Altered depth option

## SINGLE DOOR BLIND WALL CABINETS WITH RECESSED BOTTOM



- Two hinges per door, except 42" high cabinets have three hinges per door
- 70mm integrated light rail.
- Specify L or R door hinging and blind location
- Top and Bottom are always White

**42" High (3 shelves)**

BW24/2742RC L or R  
 BW27/3042RC L or R  
 BW30/3342RC L or R  
 BW33/3642RC L or R  
 BW36/3942RC L or R

**36" High (2 shelves)**

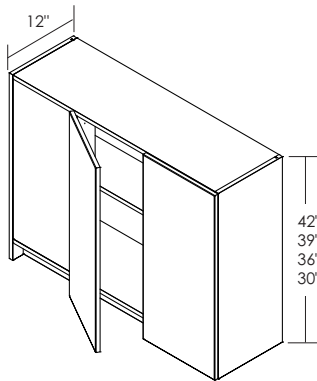
BW24/2736RC L or R  
 BW27/3036RC L or R  
 BW30/3336RC L or R  
 BW33/3636RC L or R  
 BW36/3936RC L or R

**39" High (2 shelves)**

BW24/2739RC L or R  
 BW27/3039RC L or R  
 BW30/3339RC L or R  
 BW33/3639RC L or R  
 BW36/3939RC L or R

**30" High (2 shelves)**

BW24/2730RC L or R  
 BW27/3030RC L or R  
 BW30/3330RC L or R  
 BW33/3630RC L or R  
 BW36/3930RC L or R



## DOUBLE DOOR BLIND WALL CABINETS WITH RECESSED BOTTOM

- Two hinges per door, except 42" high cabinets have three hinges per door
- 70mm integrated light rail.
- Specify L or R door hinging and blind location
- Top and Bottom are always White
- **AD 15"**

**42" High (3 shelves)**

BW39/4242RC L or R  
 BW42/4542RC L or R **NEW**

**36" High (2 shelves)**

BW39/4236RC L or R  
 BW42/4536RC L or R **NEW**

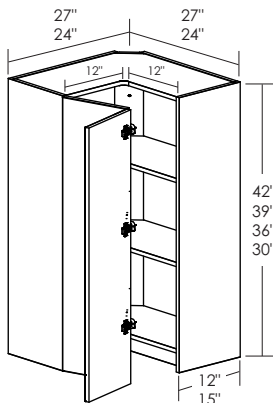
**39" High (2 shelves)**

BW39/4239RC L or R  
 BW42/4539RC L or R **NEW**

**30" High (2 shelves)**

BW39/4230RC L or R  
 BW42/4530RC L or R **NEW**

## WALL EASY REACH CABINETS WITH RECESSED BOTTOM



- Three hinges per door, except 30" high cabinets have two hinges per door
- Bifold doors are hinged together
- Specify L or R door hinging
- WER27's are 15" Deep
- Soft-close hinge is not available for this cabinet
- Top and Bottom are always White

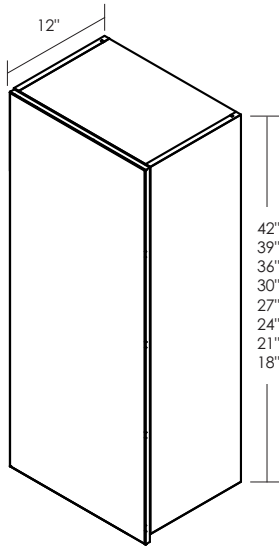
WER2442RC L OR R  
 WER2742RC L OR R

WER2439RC L OR R  
 WER2739RC L OR R

WER2436RC L OR R  
 WER2736RC L OR R

WER2430RC L OR R  
 WER2730RC L OR R





### SINGLE DOOR WALL CABINETS WITH LONG DOORS

- Two hinges per door, except 42" high cabinets have three hinges per door
- Wall long doors are 1" longer than standard doors. Door will extend 7/8" below bottom of cabinet
- Specify L or R door hinging
- **AD 15"**

#### 42" High (3 shelves)

W0942LD L or R  
W1242LD L or R  
W1542LD L or R  
W1842LD L or R  
W2142LD L or R  
W2442LD L or R

#### 30" High (2 shelves)

W0930LD L or R  
W1230LD L or R  
W1530LD L or R  
W1830LD L or R  
W2130LD L or R  
W2430LD L or R

#### 21" High (1 shelf)

W0921LD L or R  
W1221LD L or R  
W1521LD L or R  
W1821LD L or R  
W2121LD L or R  
W2421LD L or R

#### 39" High (2 shelves)

W0939LD L or R  
W1239LD L or R  
W1539LD L or R  
W1839LD L or R  
W2139LD L or R  
W2439LD L or R

#### 27" High (1 shelf)

W0927LD L or R  
W1227LD L or R  
W1527LD L or R  
W1827LD L or R  
W2127LD L or R  
W2427LD L or R

#### 18" High (no shelf)

W0918LD L or R  
W1218LD L or R  
W1518LD L or R  
W1818LD L or R  
W2118LD L or R  
W2418LD L or R

#### 36" High (2 shelves)

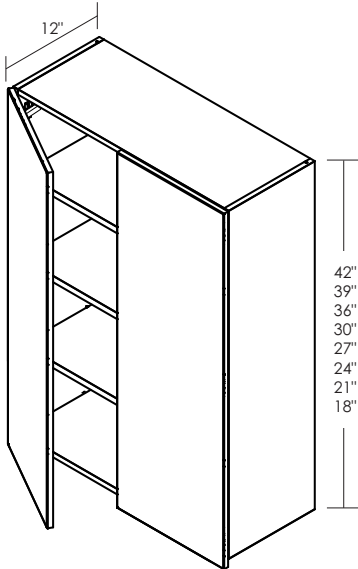
W0936LD L or R  
W1236LD L or R  
W1536LD L or R  
W1836LD L or R  
W2136LD L or R  
W2436LD L or R

#### 24" High (1 shelf)

W0924LD L or R  
W1224LD L or R  
W1524LD L or R  
W1824LD L or R  
W2124LD L or R  
W2424LD L or R

### DOUBLE DOOR WALL CABINETS WITH LONG DOORS

- Two hinges per door, except 42" high cabinets have three hinges per door
- Wall long doors are 1" longer than standard doors. Door will extend 7/8" below bottom of cabinet
- **AD 15"**



#### 42" High (3 shelves)

W2442LD  
W2742LD  
W3042LD  
W3342LD  
W3642LD  
W3942LD

#### 30" High (2 shelves)

W2430LD  
W2730LD  
W3030LD  
W3330LD  
W3630LD  
W3930LD

#### 21" High (1 shelf)

W2421LD  
W2721LD  
W3021LD  
W3321LD  
W3621LD  
W3921LD

#### 39" High (2 shelves)

W2439LD  
W2739LD  
W3039LD  
W3339LD  
W3639LD  
W3939LD

#### 27" High (1 shelf)

W2427LD  
W2727LD  
W3027LD  
W3327LD  
W3627LD  
W3927LD

#### 18" High (no shelf)

W2418LD  
W2718LD  
W3018LD  
W3318LD  
W3618LD  
W3918LD

#### 36" High (2 shelves)

W2436LD  
W2736LD  
W3036LD  
W3336LD  
W3636LD  
W3936LD

#### 24" High (1 shelf)

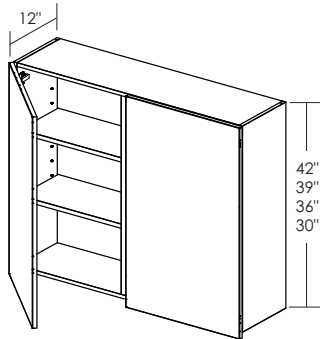
W2424LD  
W2724LD  
W3024LD  
W3324LD  
W3624LD  
W3924LD

## WALL CABINERY

**NEW**

### DOUBLE DOOR WALL CABINETS WITH MULLION WITH LONG DOORS

- Two hinges per door, except 42" high cabinets have three hinges per door
- Wall long doors are 1" longer than standard doors. Door will extend 7/8" below bottom of cabinet
- **AD 15"**


**42" High (3 shelves)**

W4242LD  
W4542LD  
W4842LD

**36" High (2 shelves)**

W4236LD  
W4536LD  
W4836LD

**39" High (2 shelves)**

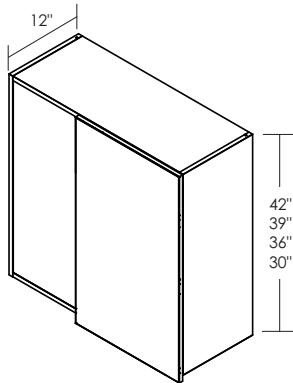
W4239LD  
W4539LD  
W4839LD

**30" High (2 shelves)**

W4230LD  
W4530LD  
W4830LD

### SINGLE DOOR BLIND WALL CABINETS WITH LONG DOORS

- Two hinges per door, except 42" high cabinets have three hinges per door
- Wall long doors are 1" longer than standard doors. Door will extend 7/8" below bottom of cabinet
- Specify L or R door hinging and blind location


**42" High (3 shelves)**

BW24/2742LD L or R  
BW27/3042LD L or R  
BW30/3342LD L or R  
BW33/3642LD L or R  
BW36/3942LD L or R

**36" High (2 shelves)**

BW24/2736LD L or R  
BW27/3036LD L or R  
BW30/3336LD L or R  
BW33/3636LD L or R  
BW36/3936LD L or R

**39" High (2 shelves)**

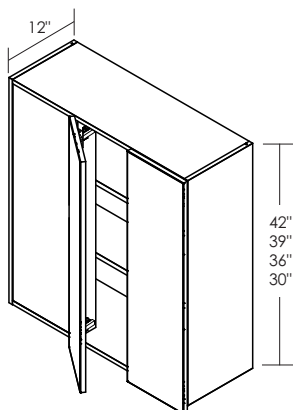
BW24/2739LD L or R  
BW27/3039LD L or R  
BW30/3339LD L or R  
BW33/3639LD L or R  
BW36/3939LD L or R

**30" High (2 shelves)**

BW24/2730LD L or R  
BW27/3030LD L or R  
BW30/3330LD L or R  
BW33/3630LD L or R  
BW36/3930LD L or R

### DOUBLE DOOR BLIND WALL CABINETS WITH LONG DOORS

- Two hinges per door, except 42" high cabinets have three hinges per door
- Wall long doors are 1" longer than standard doors. Door will extend 7/8" below bottom of cabinet
- Specify L or R door hinging and blind location


**42" High (3 shelves)**

BW39/4242LD L or R  
BW42/4542LD L or R **NEW**

**36" High (2 shelves)**

BW39/4236LD L or R  
BW42/4536LD L or R **NEW**

**39" High (2 shelves)**

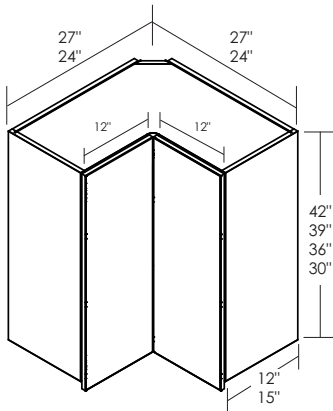
BW39/4239LD L or R  
BW42/4539LD L or R **NEW**

**30" High (2 shelves)**

BW39/4230LD L or R  
BW42/4530LD L or R **NEW**

## WALL CABINETRY

AD = Altered depth option



## WALL EASY REACH CABINETS WITH LONG DOORS

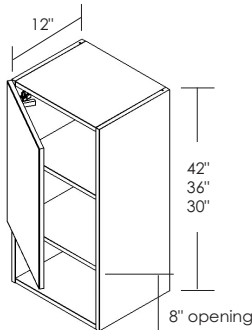
- Three hinges per door, except 30" high cabinets have two hinges per door
- Bifold doors are hinged together
- Specify L or R door hinging
- WER27's are 15" Deep
- Soft-close hinge is not available for this cabinet

WER2442LD L OR R  
WER2742LD L OR R

WER2439LD L OR R  
WER2739LD L OR R

WER2436LD L OR R  
WER2736LD L OR R

WER2430LD L OR R  
WER2730LD L OR R



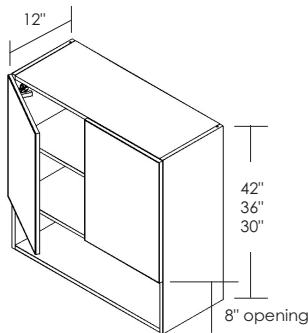
## SINGLE DOOR WALL LINEN

- Two hinges per door
- Specify L or R door hinging
- Comes with color matching interior
- AD 9", 15"

**42" High (2 shelves)**  
WL2142 L or R  
WL2442 L or R

**36" High (2 shelves)**  
WL2136 L or R  
WL2436 L or R

**30" High (1 shelf)**  
WL2130 L or R  
WL2430 L or R



## DOUBLE DOOR WALL LINEN

- Two hinges per door
- Comes with color matching interior
- AD 9", 15"

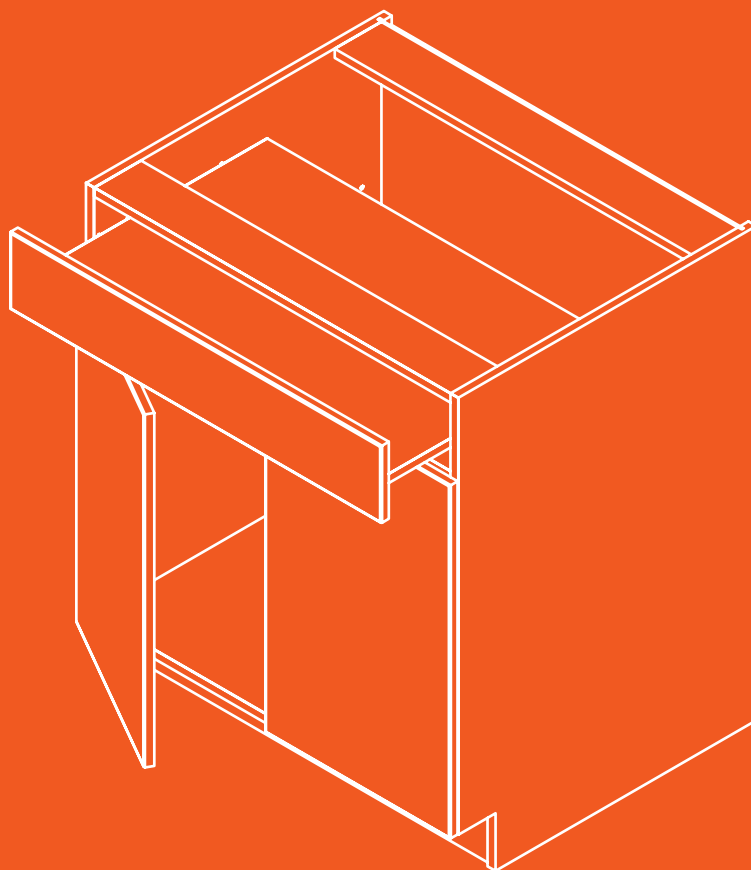
**42" High (2 shelves)**  
WL2442  
WL2742  
WL3042  
WL3342

**36" High (2 shelves)**  
WL2436  
WL2736  
WL3036  
WL3336

**30" High (1 shelf)**  
WL2430  
WL2730  
WL3030  
WL3330

# EURO BASES

---

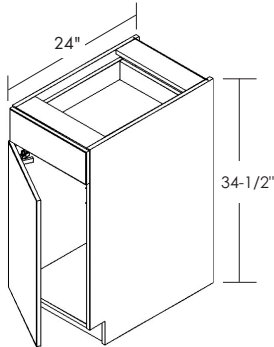




AD = Altered depth option  
 FDS = Full depth shelf option

Cabinet Height: 34-1/2". Toe Kick Height: 4".

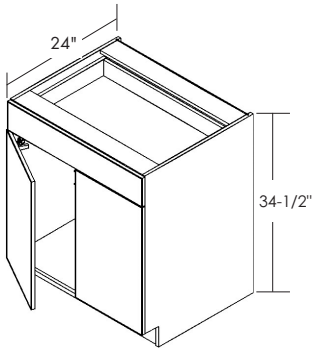
## BASE CABINETRY



### BASE SINGLE DOOR AND DRAWER

- Two hinges per door
- Specify L or R door hinging
- Comes with adjustable half depth shelf
- **AD 21" and 22"**
- **FDS**
- \* **Not available in Forza door style**

\*B09 L or R  
 B12 L or R  
 B15 L or R  
 B18 L or R  
 B21 L or R  
 B24 L or R



### BASE DOUBLE DOOR AND SINGLE DRAWER

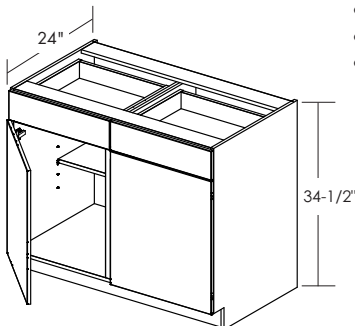
- Two hinges per door
- Comes with adjustable half depth shelf
- **AD 21" and 22"**
- **FDS**

B24  
 B27  
 B30  
 B33  
 B36  
 \*B39

\*FDS is not available on B39

### BASE DOUBLE DOOR AND DRAWER WITH MULLION

- Two hinges per door
- Comes with adjustable half depth shelf
- **AD 21" and 22"**
- **FDS**



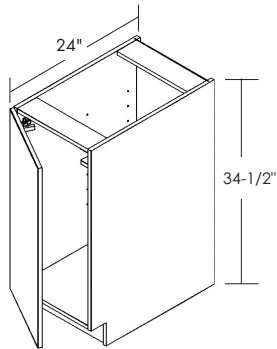
B42  
 B45  
 B48

NEW

BASES

## BASE CABINETS

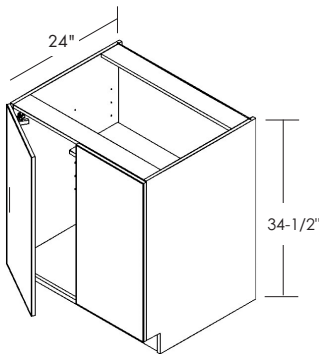
Cabinet Height: 34-1/2". Toe Kick Height: 4".



### BASE FULL HEIGHT SINGLE DOOR

- Two hinges per door
- Specify L or R door hinging
- Comes with adjustable half depth shelf
- **AD 12", 15", 18", 21" or 22"**
- **FDS**

B09FH L or R  
 B12FH L or R  
 B15FH L or R  
 B18FH L or R  
 B21FH L or R  
 B24FH L or R

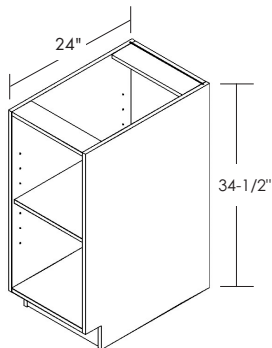


### BASE FULL HEIGHT DOUBLE DOOR

- Two hinges per door
- Comes with adjustable half depth shelf
- **AD 12", 15", 18", 21" or 22"**
- **FDS**

B24FH  
 B27FH  
 B30FH  
 B33FH  
 B36FH  
 \*B39FH  
 \*B42FH  
 \*B45FH  
 \*B48FH

\*FDS is not available on B39FH, B42FH, B45FH, and B48FH



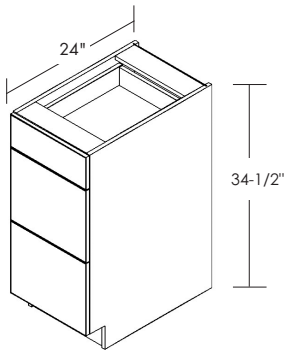
### BASE BOOKSHELF

- One adjustable full depth shelf
- Color matching interior
- **AD 12", 18", 21" or 22"**

BBS18  
 BBS21  
 BBS24  
 BBS27  
 BBS30

## BASE CABINETRY

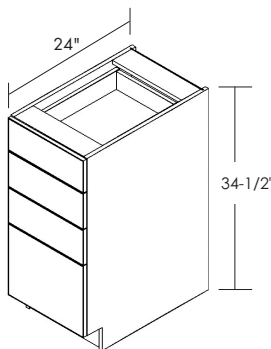
Cabinet Height: 34-1/2". Toe Kick Height: 4".



### THREE DRAWER BASE

- One standard height drawer on top and two deep drawers on bottom
- **AD 21" and 22"**
- \* **Not available in Forza door style**

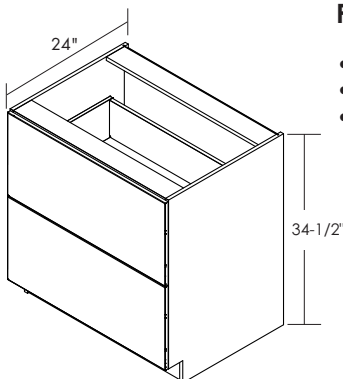
\*DB09-3  
DB12-3  
DB15-3  
DB18-3  
DB21-3  
DB24-3  
DB27-3  
DB30-3



### FOUR DRAWER BASE

- Three standard height drawers on top and one deep bottom drawer
- **AD 21" and 22"**
- \* **Not available in Forza door style**

\*DB09-4  
DB12-4  
DB15-4  
DB18-4  
DB21-4  
DB24-4  
DB27-4  
DB30-4

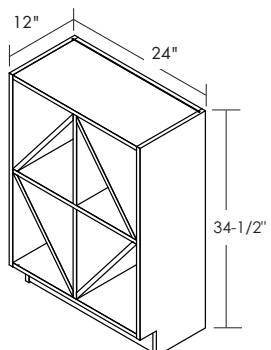


### POTS AND PANS DRAWER BASE

- Two deep drawers
- **AD 21" and 22"**
- **Double Wall Metal Soft-close drawer only**

DBPP33-2  
DBPP36-2

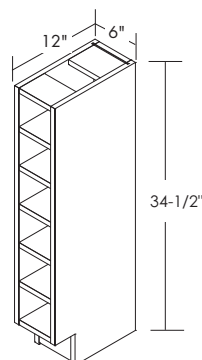
**NEW**



### BASE WINE RACK

- Color matching interior
- **AD 15", 18", 21" or 24"**

BWSC24



### BASE WINE RACK

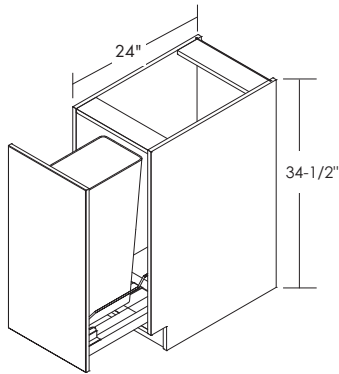
- Color matching interior

BWR6



## BASE CABINERY

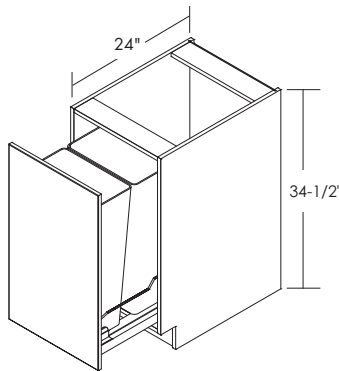
Cabinet Height: 34-1/2". Toe Kick Height: 4".



### BASE FULL HEIGHT WITH SINGLE WASTEBASKET BIN PULL OUT

- Door is attached to wastebasket guides and opens as drawer
- 50 qt. removable trash container
- Integrated full extension soft-close guide system

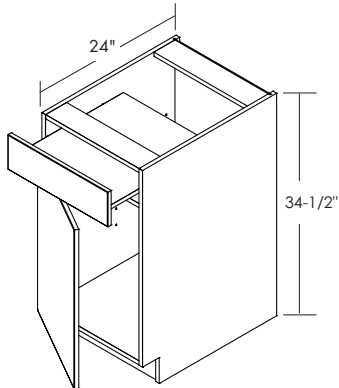
B15FWBS



### BASE FULL HEIGHT WITH DOUBLE WASTEBASKET BIN PULL OUT

- Door is attached to wastebasket guides and opens as drawer
- Two 50 qt. removable trash containers
- Integrated full extension soft-close guide system

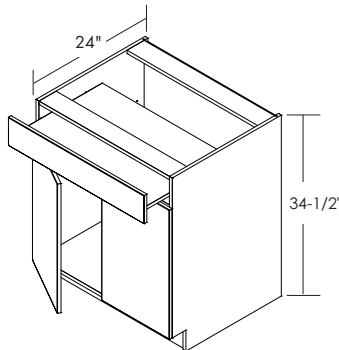
B18FWBD  
 B21FWBD



### BASE SINGLE DOOR AND ROLL OUT WORK SURFACE

- Two hinges per door
- Specify L or R door hinging
- Comes with adjustable half depth shelf
- Work surface is white melamine
- AD 21" and 22"
- FDS
- \* Not available in Forza door style

\*B09ROW L or R  
 B12ROW L or R  
 B15ROW L or R  
 B18ROW L or R  
 B21ROW L or R  
 B24ROW L or R



### BASE DOUBLE DOOR AND ROLL OUT WORK SURFACE

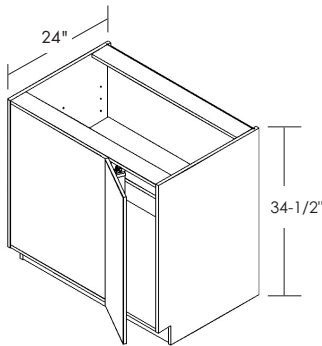
- Two hinges per door
- Comes with adjustable half depth shelf
- Work surface is white melamine
- AD 21" and 22"
- FDS

B24ROW  
 B27ROW  
 B30ROW  
 B33ROW  
 B36ROW

**AD** = Altered depth option  
**FDS** = Full depth shelf option

## BASE CABINETRY

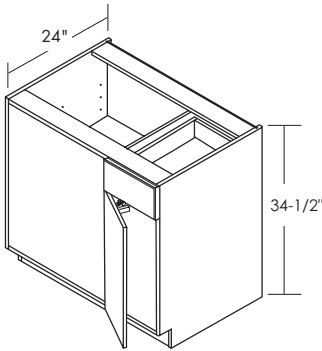
Cabinet Height: 34-1/2". Toe Kick Height: 4".



### BLIND BASE FULL HEIGHT DOOR

- Two hinges per door
- Specify L or R door hinging
- Comes with adjustable half depth shelf
- Must order filler separately
- **AD 21" and 22"**
- **FDS**

BB39/42FH L or R  
 BB42/45FH L or R  
 BB45/48FH L or R  
 BB48/51FH L or R  
 BB51/54FH L or R



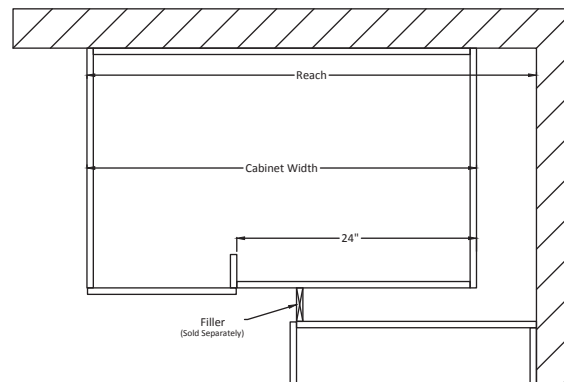
### BLIND BASE SINGLE DOOR AND DRAWER

- Two hinges per door
- Specify L or R door hinging
- Comes with adjustable half depth shelf
- Must order filler separately
- **AD 21" and 22"**
- **FDS**

BB39/42 L or R  
 BB42/45 L or R  
 BB45/48 L or R  
 BB48/51 L or R  
 BB51/54 L or R

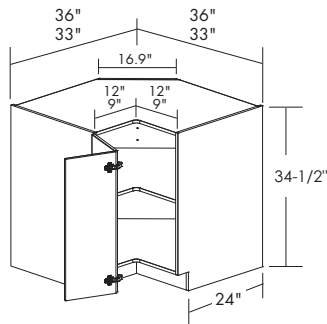
## TYPICAL BLIND BASE LAYOUT

Cabinet	Cabinet Width	Cabinet Replaced	Reach
BB39/42FH	36	12	39-42
BB42/45FH	39	15	42-45
BB45/48FH	42	18	45-48
BB48/51FH	45	21	48-51
BB51/54FH	48	24	51-54



## BASE CABINERY

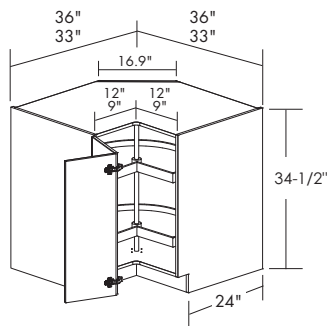
Cabinet Height: 34-1/2". Toe Kick Height: 4".



### BASE EASY REACH

- Two hinges per door
- Bifold doors are hinged together
- Specify L or R door hinging
- Comes with one adjustable full depth shelf
- This cabinet is not intended to be used at the end of a cabinet run
- Soft-close hinge is not available for this cabinet
- **NOTE: If cabinet is installed next to an appliance that is deeper than 25", it may interfere with door opening. Use of a filler or a BRP end panel between the cabinet and appliance is recommended.**

BER33 L or R  
BER36 L or R



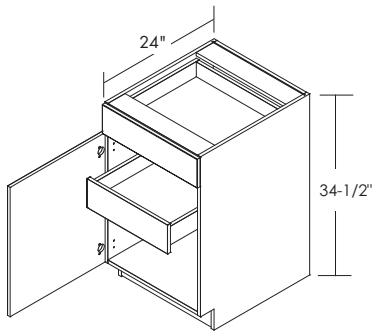
### BASE LAZY SUSAN

- Two hinges per door
- Bifold doors are hinged together
- Specify L or R door hinging
- Two high impact 24" diameter white plastic shelves that rotate independently of each other
- Top shelf height is adjustable
- This cabinet is not intended to be used at the end of a cabinet run
- Soft-close hinge is not available for this cabinet
- **NOTE: If cabinet is installed next to an appliance that is deeper than 25", it may interfere with door opening. Use of a filler or a BRP end panel between the cabinet and appliance is recommended.**

BLS33 L or R  
BLS36 L or R

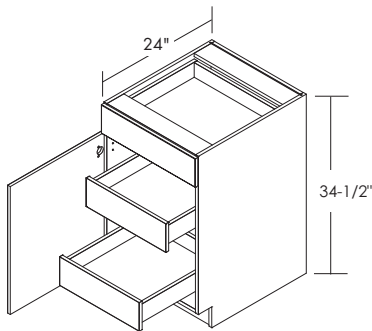
AD = Altered depth option

Cabinet Height: 34-1/2". Toe Kick Height: 4".

**BASE CABINETRY****BASE SINGLE DOOR AND DRAWER WITH ONE ROLL OUT SHELF**

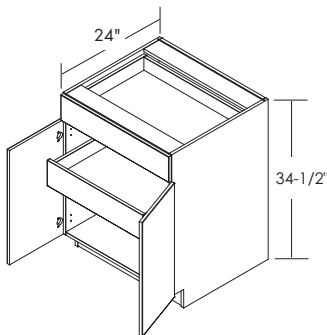
- Two hinges per door
- Specify L or R door hinging
- One full depth shelf tray
- **AD 21" and 22"**

B12ROS L or R  
 B15ROS L or R  
 B18ROS L or R  
 B21ROS L or R  
 B24ROS L or R

**BASE SINGLE DOOR AND DRAWER WITH TWO ROLL OUT SHELVES**

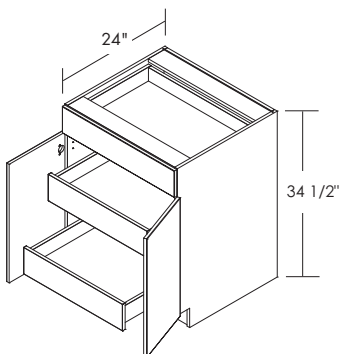
- Two hinges per door
- Specify L or R door hinging
- Two full depth shelf trays
- **AD 21" and 22"**

B12ROS2 L or R  
 B15ROS2 L or R  
 B18ROS2 L or R  
 B21ROS2 L or R  
 B24ROS2 L or R

**BASE DOUBLE DOOR WITH SINGLE WIDE DRAWER AND ROLL OUT SHELF**

- Two hinges per door
- One full depth shelf tray
- **AD 21" and 22"**

B24ROS  
 B27ROS  
 B30ROS  
 B33ROS

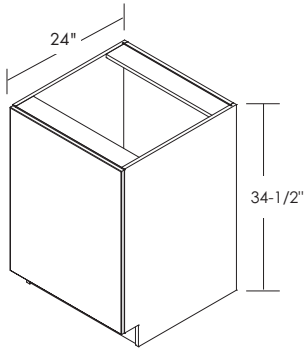
**BASE DOUBLE DOOR WITH SINGLE WIDE DRAWER AND TWO ROLL OUT SHELVES**

- Two hinges per door
- Two full depth shelf tray
- **AD 21" and 22"**

B24ROS2  
 B27ROS2  
 B30ROS2  
 B33ROS2

## BASE CABINETY

Cabinet Height: 34-1/2". Toe Kick Height: 4".



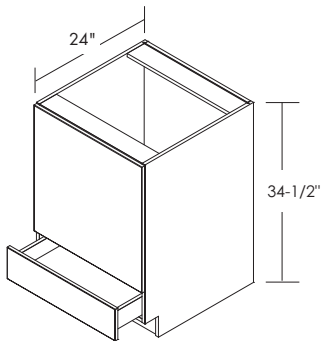
### BASE OVEN CABINET

- Attached overlay panel
- Field trimmed base on oven specifications

BOC27  
BOC30  
BOC33

#### MAXIMUM CUT OUT DIMENSIONS

MODEL	WIDTH MAXIMUM	HEIGHT MAXIMUM
BOC27	24.5"	29.0"
BOC30	27.5"	29.0"
BOC33	30.5"	29.0"



### BASE OVEN CABINET WITH DRAWER

- One bottom drawer
- Attached overlay panel
- Field trimmed base on oven specifications
- Bottom drawer is standard drawer height

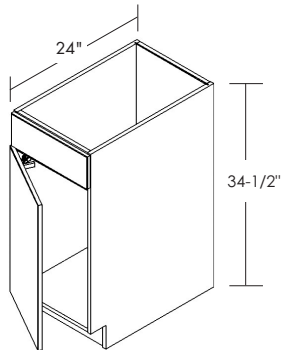
BOD27  
BOD30  
BOD33

#### MAXIMUM CUT OUT DIMENSIONS

MODEL	WIDTH MAXIMUM	HEIGHT MAXIMUM
BOD27	24.5"	23.0"
BOD30	27.5"	23.0"
BOD33	30.5"	23.0"

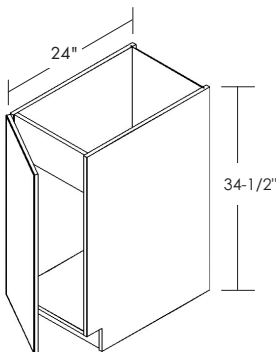
AD = Altered depth option

Cabinet Height: 34-1/2". Toe Kick Height: 4".

**BASE CABINETRY****SINGLE DOOR SINK BASE**

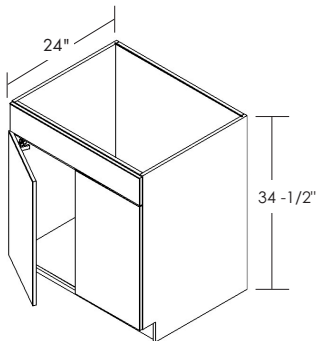
- Two hinges per door
- Specify L or R door hinging
- One false front
- **AD 15", 18", 21" or 22"**

SB18 L or R  
 SB21 L or R  
 SB24 L or R

**SINGLE DOOR FULL HEIGHT SINK BASE**

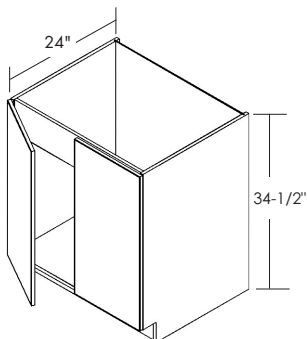
- Two hinges per door
- Specify L or R door hinging
- **AD 15", 18", 21" or 22"**

SB18FH L or R  
 SB21FH L or R  
 SB24FH L or R

**DOUBLE DOOR SINK BASE WITH SINGLE DRAWER FRONT**

- Two hinges per door
- One false front
- **AD 15", 18", 21" or 22"**

SB24  
 SB27  
 SB30  
 SB33  
 SB36  
 SB39  
 SB42  
 SB45  
 SB48

**DOUBLE DOOR FULL HEIGHT SINK BASE**

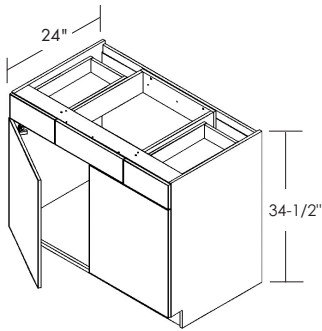
- Two hinges per door
- **AD 15", 18", 21" or 22"**

SB24FH  
 SB27FH  
 SB30FH  
 SB33FH  
 SB36FH  
 SB39FH  
 SB42FH  
 SB45FH  
 SB48FH

## BASE CABINERY

AD = Altered depth option

Cabinet Height: 34-1/2". Toe Kick Height: 4".



### DOUBLE DOOR SINK BASE COMBINATION

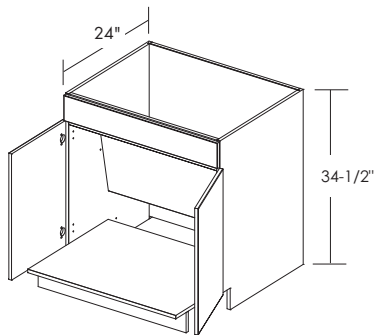
- Two hinges per door
- One standard depth drawer on each side with one false front center
- **AD 21" and 22"**
- **\* When ordered in Forza, the narrow drawer heads will be slab style**

*CSB39	9" drawers	21" false front
CSB42	12" drawers	18" false front
CSB45	12" drawers	21" false front
CSB48	12" drawers	24" false front

## BASE CABINETRY

AD = Altered depth option

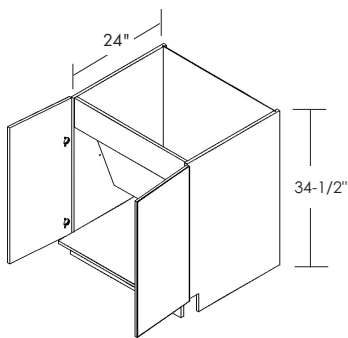
Cabinet Height: 34-1/2". Toe Kick Height: 4".



### SINK BASE REMOVABLE BOTTOM

- Two hinges per door
- One false front
- Matching interior
- **AD 21" and 22"**

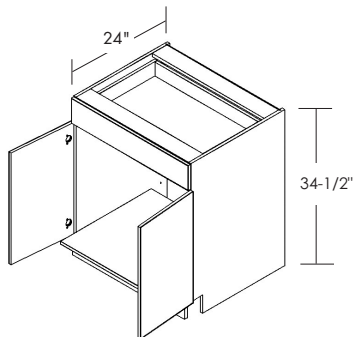
SB31.5RB  
SB33RB  
SB36RB  
SB39RB  
SB42RB



### SINK BASE REMOVABLE BOTTOM FULL HEIGHT DOOR

- Two hinges per door
- Matching interior
- **AD 21" and 22"**

SB31.5FHRB  
SB33FHRB  
SB36FHRB  
SB39FHRB  
SB42FHRB



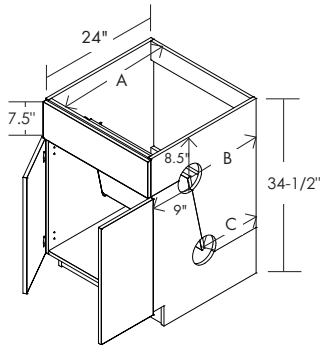
### BASE REMOVABLE BOTTOM

- Two hinges per door
- One top drawer
- Matching interior
- **AD 21" and 22"**

B31.5RB  
B33RB  
B36RB  
B39RB



## BASE CABINETY



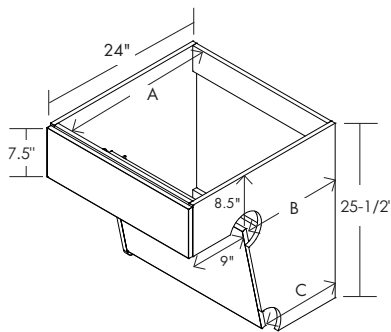
### ACCESSIBLE SINK BASE

- Two hinges per door
- One false front
- Baffle matches exterior finish
- **Both the insert and base must be ordered**
- **AD 21" and 22"**
- **UFAS inserts wider than 36" should not be used without a base for support**



INSERT	BASE
UFASIOSB30	ACSB30B
UFASIOSB33	ACSB33B
UFASIOSB36	ACSB36B
UFASIOSB39	ACSB39B
UFASIOSB42	ACSB42B

Cabinet Depth	A	B	C
24"	22.7"	14.4"	11.1"
21"	19.7"	11.4"	8.1"



### UFAS SINK BASE INSERT ONLY

- Baffle is removable for plumbing access
- Designed to meet minimum National ADA clearance requirements when installed at 34-1/2" above the floor
- Insert can be trimmed in field to meet local codes
- Baffle matches exterior finish
- **AD 21" and 22"**
- **UFAS inserts wider than 36" should not be used without a base for support**

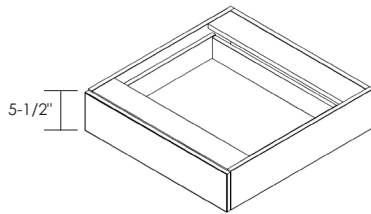
UFASIOSB30  
UFASIOSB33  
UFASIOSB36

Cabinet Depth	A	B	C
24"	22.7"	14.4"	11.1"
21"	19.7"	11.4"	8.1"

## BASE CABINETS

---

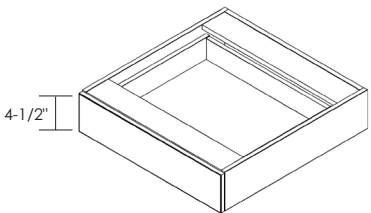
### DRAWER SKIRT



- 5-1/2" high drawer skirt
- Not for use with cabinets less than 32.5" high when 27" knee clearance is required.

21" Deep	22" Deep	24" Deep
DS1821	DS1822	DS1824
DS2121	DS2122	DS2124
DS2421	DS2422	DS2424
DS2721	DS2722	DS2724
DS3021	DS3022	DS3024
DS3621	DS3622	DS3624

### PENCIL DRAWER SKIRT

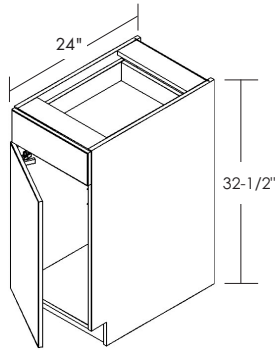


- 4-1/2" high pencil drawer
- When ordered as a 5PC drawer style, the drawer head will be slab style
- Not available with the Double Wall Drawer system

21" Deep	22" Deep	24" Deep
PD1821	PD1822	PD1824
PD2121	PD2122	PD2124
PD2421	PD2422	PD2424
PD2721	PD2722	PD2724
PD3021	PD3022	PD3024
PD3621	PD3622	PD3624

## UNIVERSAL ACCESS BASE CABINETRY

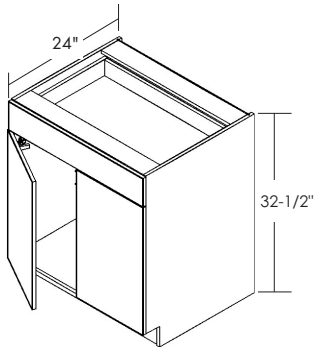
Cabinet Height: 32-1/2". Toe Kick Height: 4".



### UNIVERSAL ACCESS BASE SINGLE DOOR AND DRAWER

- Two hinges per door
- Specify L or R door hinging
- Comes with adjustable half depth shelf
- **AD 21" and 22"**
- **FDS**
- **\* Not available in Forza door style**

\*HCB09 L or R  
 HCB12 L or R  
 HCB15 L or R  
 HCB18 L or R  
 HCB21 L or R  
 HCB24 L or R



### UNIVERSAL ACCESS BASE DOUBLE DOOR AND SINGLE DRAWER

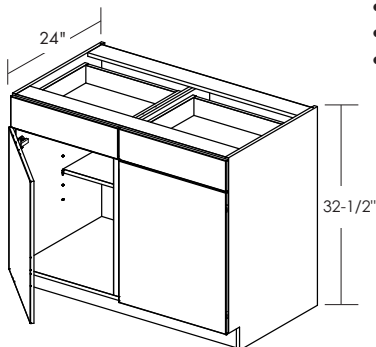
- Two hinges per door
- Comes with adjustable half depth shelf
- **AD 21" and 22"**
- **FDS**

HCB24  
 HCB27  
 HCB30  
 HCB33  
 HCB36  
 \*HCB39

**\*FDS is not available on HCB39**

### UNIVERSAL ACCESS DOUBLE DOOR AND DRAWER WITH MULLION

- Two hinges per door
- Comes with adjustable half depth shelf
- **AD 21" and 22"**
- **FDS**



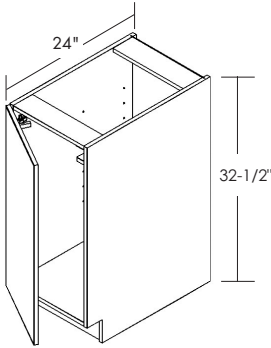
HCB42  
 HCB45  
 HCB48

**NEW**

AD = Altered depth option  
 FDS = Full depth shelf option

## UNIVERSAL ACCESS BASE CABINETRY

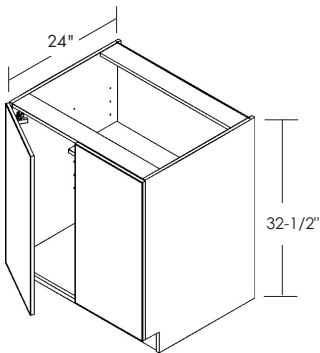
Cabinet Height: 32-1/2". Toe Kick Height: 4".



### UNIVERSAL ACCESS BASE FULL HEIGHT SINGLE DOOR

- Two hinges per door
- Specify L or R door hinging
- Comes with adjustable half depth shelf
- AD 12", 15", 18", 21" or 22"
- FDS

HCBO9FH L or R  
 HCB12FH L or R  
 HCB15FH L or R  
 HCB18FH L or R  
 HCB21FH L or R  
 HCB24FH L or R

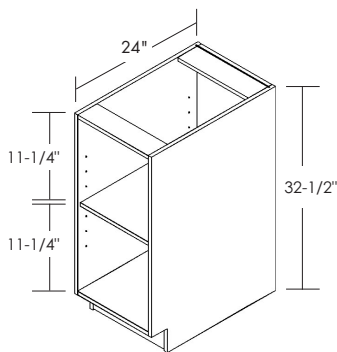


### UNIVERSAL ACCESS BASE FULL HEIGHT DOUBLE DOOR

- Two hinges per door
- Comes with adjustable half depth shelf
- AD 12", 15", 18", 21" or 22"
- FDS

HCB24FH  
 HCB27FH  
 HCB30FH  
 HCB33FH  
 HCB36FH  
 \*HCB39FH  
 \*HCB42FH  
 \*HCB45FH  
 \*HCB48FH

\*FDS is not available on HCB39FH, HCB42FH, HCB45FH, and HCB48FH



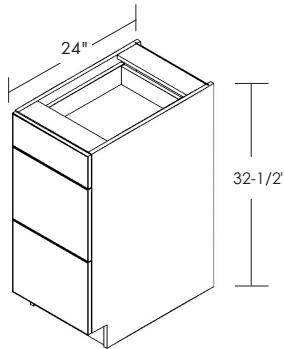
### UNIVERSAL ACCESS BASE BOOKSHELF

- One adjustable full depth shelf
- Color matching interior
- AD 12", 18", 21" or 22"

HCBBS18  
 HCBBS21  
 HCBBS24  
 HCBBS27  
 HCBBS30

## UNIVERSAL ACCESS BASE CABINETRY

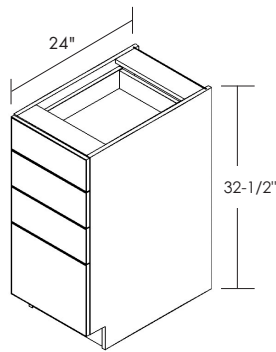
Cabinet Height: 32- 1/2". Toe Kick Height: 4".



### UNIVERSAL ACCESS THREE DRAWER BASE

- One standard depth drawer on top and two deep drawers on bottom
- **AD 21" and 22"**
- \* **Not available in Forza door style**

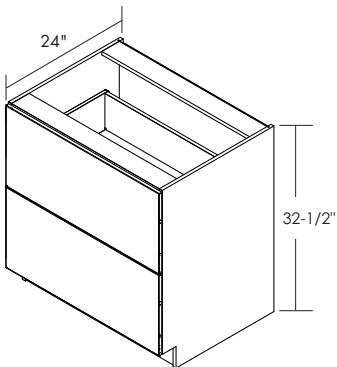
\*HCDB09-3  
 HCDB12-3  
 HCDB15-3  
 HCDB18-3  
 HCDB21-3  
 HCDB24-3  
 HCDB27-3  
 HCDB30-3



### UNIVERSAL ACCESS FOUR DRAWER BASE

- Three standard depth drawers on top and one deep drawer on bottom
- **AD 21" and 22"**
- \* **Not available in Forza door style**

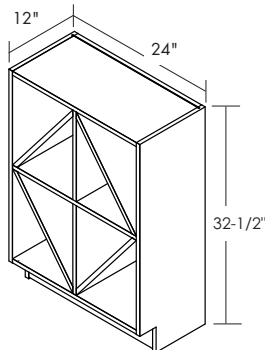
\*HCDB09-4  
 HCDB12-4  
 HCDB15-4  
 HCDB18-4  
 HCDB21-4  
 HCDB24-4  
 HCDB27-4  
 HCDB30-4



### UNIVERSAL ACCESS POTS AND PANS DRAWER BASE

- Two deep drawers
- **AD 21" and 22"**
- **Double Wall Metal Soft-close drawer only**

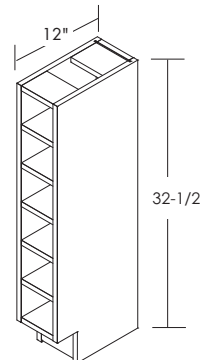
HCDBPP33-2  
 HCDBPP36-2

**NEW**


### UNIVERSAL ACCESS BASE WINE RACK

- Color matching interior
- **AD 15", 18", 21" or 24"**

HCBWSC24



### UNIVERSAL ACCESS BASE WINE RACK

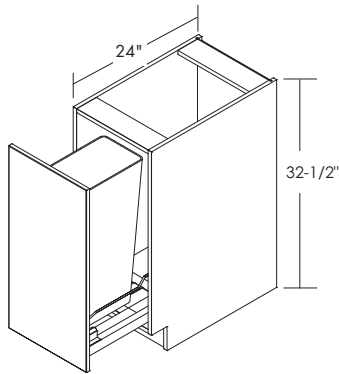
- Color matching interior

HCBWR6

AD = Altered depth option

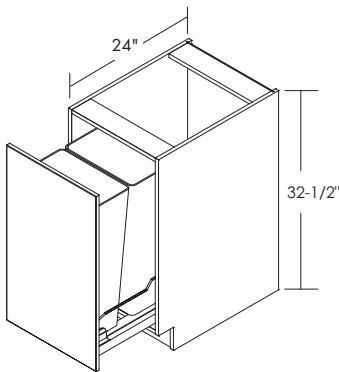
**UNIVERSAL ACCESS BASE CABINETRY**

Cabinet Height: 32-1/2". Toe Kick Height: 4".

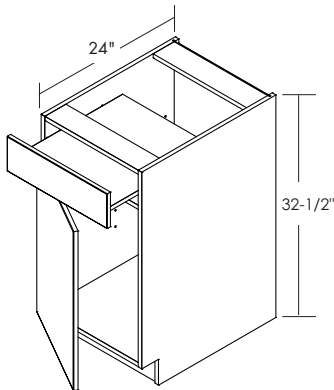
**UNIVERSAL ACCESS BASE FULL HEIGHT WITH SINGLE WASTEBASKET BIN PULL OUT**

- Door is attached to wastebasket guides and opens as drawer
- 50 qt. removable trash container
- Integrated full extension soft-close guide system

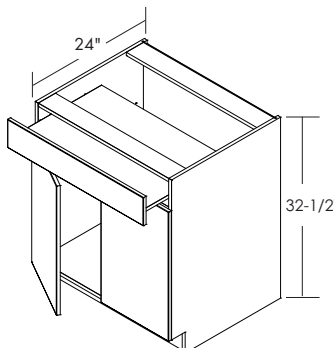
HCB15FHWS

**UNIVERSAL ACCESS BASE FULL HEIGHT WITH DOUBLE WASTEBASKET BIN PULL OUT**

- Door is attached to wastebasket guides and opens as drawer
- Two 50 qt. removable trash containers
- Integrated full extension soft-close guide system

HCB18FHWS  
HCB21FHWS**UNIVERSAL BASE SINGLE DOOR AND ROLL OUT WORK SURFACE**

- Two hinges per door
- Specify L or R door hinging
- Comes with adjustable half depth shelf
- Work surface is white melamine
- **AD 21" and 22"**
- **FDS**
- \* **Not available in Forza door style**

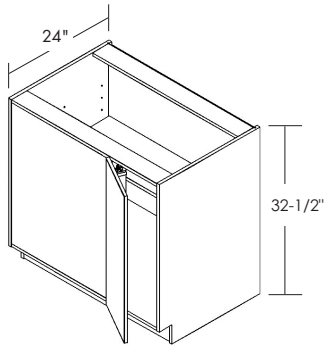
\*HCB09ROW L or R  
HCB12ROW L or R  
HCB15ROW L or R  
HCB18ROW L or R  
HCB21ROW L or R  
HCB24ROW L or R**UNIVERSAL BASE DOUBLE DOOR AND ROLL OUT WORK SURFACE**

- Two hinges per door
- Comes with adjustable half depth shelf
- Work surface is white melamine
- **AD 21" and 22"**
- **FDS**

HCB24ROW  
HCB27ROW  
HCB30ROW  
HCB33ROW  
HCB36ROW

## UNIVERSAL ACCESS BASE CABINETRY

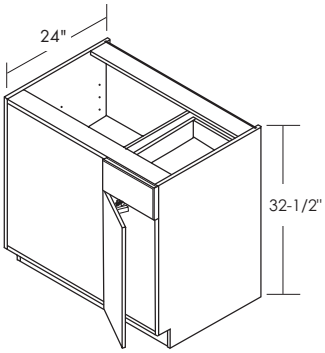
Cabinet Height: 32-1/2". Toe Kick Height: 4".



### UNIVERSAL ACCESS BLIND BASE FULL HEIGHT DOOR

- Two hinges per door
- Specify L or R door hinging
- Comes with adjustable half depth shelf
- Must order filler separately
- **AD 21" and 22"**
- **FDS**

HCBB39/42FH L or R  
 HCBB42/45FH L or R  
 HCBB45/48FH L or R  
 HCBB48/51FH L or R  
 HCBB51/54FH L or R



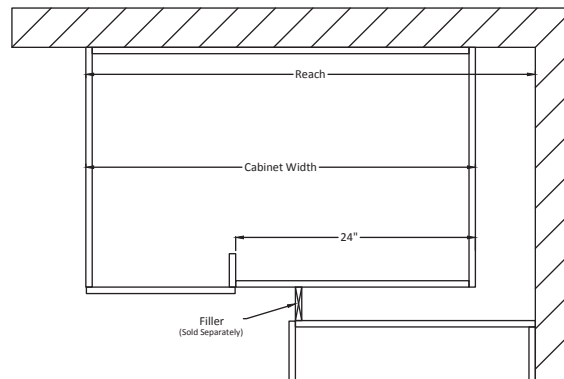
### UNIVERSAL ACCESS BLIND BASE SINGLE DOOR AND DRAWER

- Two hinges per door
- Specify L or R door hinging
- Comes with adjustable half depth shelf
- Must order filler separately
- **AD 21" and 22"**
- **FDS**

HCBB39/42 L or R  
 HCBB42/45 L or R  
 HCBB45/48 L or R  
 HCBB48/51 L or R  
 HCBB51/54 L or R

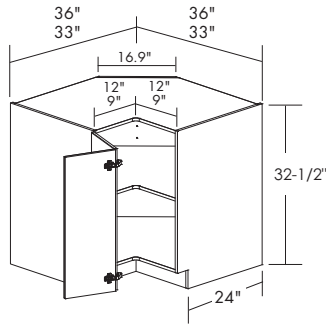
## TYPICAL BLIND BASE LAYOUT

Cabinet	Cabinet Width	Cabinet Replaced	Reach
HCBB39/42FH	36	12	39-42
HCBB42/45FH	39	15	42-45
HCBB45/48FH	42	18	45-48
HCBB48/51FH	45	21	48-51
HCBB51/54FH	48	24	51-54



## UNIVERSAL ACCESS BASE CABINETRY

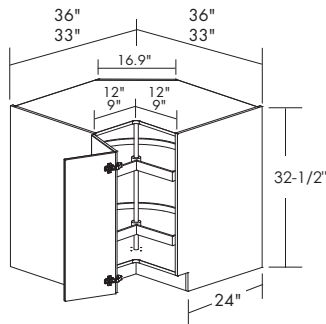
Cabinet Height: 32-1/2". Toe Kick Height: 4".



### UNIVERSAL ACCESS BASE EASY REACH

- Two hinges per door
- Bifold doors are hinged together
- Specify L or R door hinging
- Comes with one adjustable full depth shelf
- This cabinet is not intended to be used at the end of a cabinet run
- Soft-close hinge is not available for this cabinet
- **NOTE: If cabinet is installed next to an appliance that is deeper than 25", it may interfere with door opening. Use of a filler or a BRP end panel between the cabinet and appliance is recommended.**

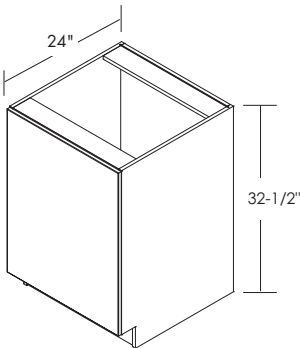
HCBER33 L or R  
HCBER36 L or R



### UNIVERSAL ACCESS BASE LAZY SUSAN

- Two hinges per door
- Bifold doors are hinged together
- Specify L or R door hinging
- Two high impact 24" diameter white plastic shelves that rotate independently of each other
- Top shelf height is adjustable
- This cabinet is not intended to be used at the end of a cabinet run
- Soft-close hinge is not available for this cabinet
- **NOTE: If cabinet is installed next to an appliance that is deeper than 25", it may interfere with door opening. Use of a filler or a BRP end panel between the cabinet and appliance is recommended.**

HCBSL33 L or R  
HCBSL36 L or R



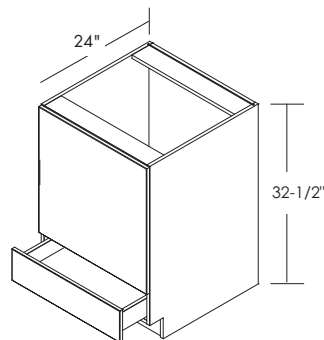
### UNIVERSAL ACCESS BASE OVEN CABINET

- Attached overlay panel
- Field trimmed base on oven specifications

HBCOC27  
HBCOC30  
HBCOC33

#### MAXIMUM CUT OUT DIMENSIONS

MODEL	WIDTH MAXIMUM	HEIGHT MAXIMUM
HBCOC27	24.5"	27.0"
HBCOC30	27.5"	27.0"
HBCOC33	30.5"	27.0"



### UNIVERSAL ACCESS BASE OVEN CABINET WITH DRAWER

- One bottom drawer
- Attached overlay panel
- Field trimmed base on oven specifications
- Bottom drawer is standard drawer height

HCBOD27  
HCBOD30  
HCBOD33

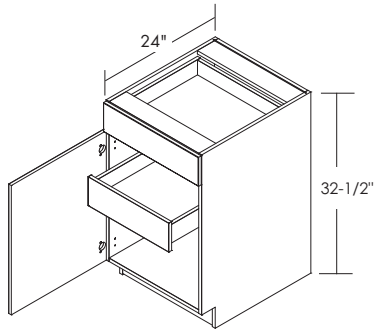
#### MAXIMUM CUT OUT DIMENSIONS

MODEL	WIDTH MAXIMUM	HEIGHT MAXIMUM
HCBOD27	24.5"	21.0"
HCBOD30	27.5"	21.0"
HCBOD33	30.5"	21.0"



## UNIVERSAL ACCESS CABINETS

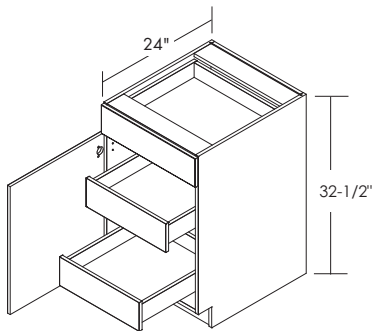
Cabinet Height: 32-1/2". Toe Kick Height: 4".



### UNIVERSAL ACCESS BASE SINGLE DOOR AND DRAWER WITH ONE ROLL OUT SHELF

- Two hinges per door
- Specify L or R door hinging
- One full depth shelf tray
- **AD 21" and 22"**

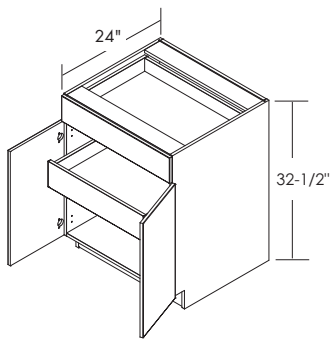
HCB12ROS L or R  
HCB15ROS L or R  
HCB18ROS L or R  
HCB21ROS L or R  
HCB24ROS L or R



### UNIVERSAL ACCESS BASE SINGLE DOOR AND DRAWER WITH TWO ROLL OUT SHELVES

- Two hinges per door
- Specify L or R door hinging
- Two full depth shelf trays
- **AD 21" and 22"**

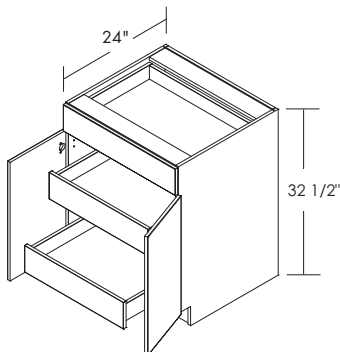
HCB12ROS2 L or R  
HCB15ROS2 L or R  
HCB18ROS2 L or R  
HCB21ROS2 L or R  
HCB24ROS2 L or R



### UNIVERSAL ACCESS BASE DOUBLE DOOR WITH SINGLE WIDE DRAWER AND ROLL OUT SHELF

- Two hinges per door
- One full depth shelf tray
- **AD 21" and 22"**

HCB24ROS  
HCB27ROS  
HCB30ROS  
HCB33ROS



### UNIVERSAL ACCESS BASE DOUBLE DOOR WITH SINGLE WIDE DRAWER AND TWO ROLL OUT SHELVES

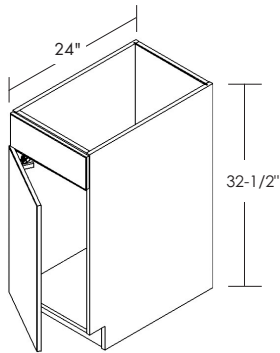
- Two hinges per door
- Two full depth shelf trays
- **AD 21" and 22"**

HCB24ROS2  
HCB27ROS2  
HCB30ROS2  
HCB33ROS2

AD = Altered depth option

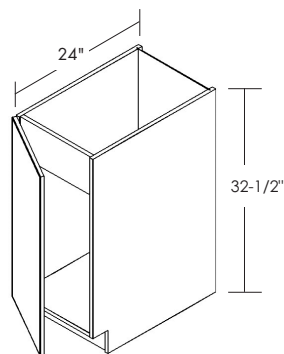
**UNIVERSAL ACCESS CABINETRY**

Cabinet Height: 32-1/2". Toe Kick Height: 4".

**UNIVERSAL ACCESS SINGLE DOOR SINK BASE**

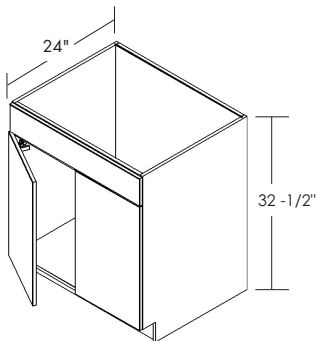
- Two hinges per door
- Specify L or R door hinging
- One false front
- **AD 15", 18", 21" or 22"**

HCSB18 L or R  
HCSB21 L or R  
HCSB24 L or R

**UNIVERSAL ACCESS SINGLE DOOR FULL HEIGHT SINK BASE**

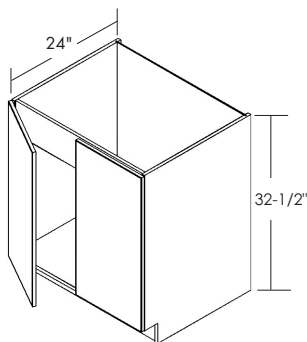
- Two hinges per door
- Specify L or R door hinging
- **AD 15", 18", 21" or 22"**

HCSB18FH L or R  
HCSB21FH L or R  
HCSB24FH L or R

**UNIVERSAL ACCESS DOUBLE DOOR SINK BASE WITH SINGLE DRAWER FRONT**

- Two hinges per door
- One false front
- **AD 15", 18", 21" or 22"**

HCSB24  
HCSB27  
HCSB30  
HCSB33  
HCSB36  
HCSB39  
HCSB42  
HCSB45  
HCSB48

**UNIVERSAL ACCESS DOUBLE DOOR FULL HEIGHT SINK BASE**

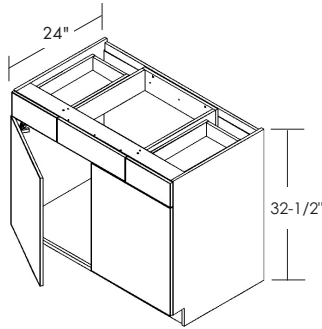
- Two hinges per door
- **AD 15", 18", 21" or 22"**

HCSB24FH  
HCSB27FH  
HCSB30FH  
HCSB33FH  
HCSB36FH  
HCSB39FH  
HCSB42FH  
HCSB45FH  
HCSB48FH

**UNIVERSAL ACCESS CABINETRY**

Cabinet Height: 32-1/2". Toe Kick Height: 4".

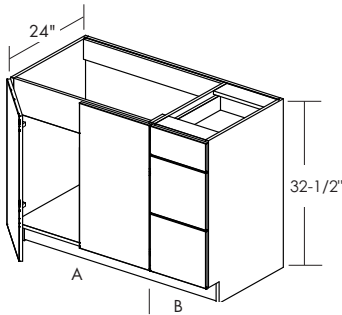
**UNIVERSAL ACCESS DOUBLE DOOR SINK BASE COMBINATION**



- Two hinges per door
- One standard depth drawer on each side with one false front center
- **AD 21" and 22"**
- \* **When ordered in Forza, the narrow drawer heads will be slab style**

HCCSB39	9" drawers	21" false front
HCCSB42	12" drawers	18" false front
HCCSB45	12" drawers	21" false front
HCCSB48	12" drawers	24" false front

**UNIVERSAL ACCESS FULL HEIGHT DOUBLE DOOR SINK WITH THREE DRAWER BASE COMBINATION**

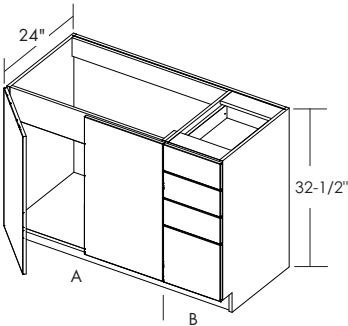


L sink location shown

- Two hinges per door
- One standard drawer and two deep drawers
- Specify L or R for sink base location
- **AD 21"**

	A	B		A	B
HCSDBC36FH L or R	24"	12"	HCSDBC39FH-DB15 L or R	24"	15"
HCSDBC39FH L or R	27"	12"	HCSDBC42FH-DB15 L or R	27"	15"
HCSDBC42FH L or R	30"	12"	HCSDBC45FH-DB15 L or R	30"	15"
HCSDBC45FH L or R	33"	12"	HCSDBC48FH-DB15 L or R	33"	15"
HCSDBC48FH L or R	36"	12"			

**UNIVERSAL ACCESS FULL HEIGHT DOUBLE DOOR SINK WITH FOUR DRAWER BASE COMBINATION**



L sink location shown

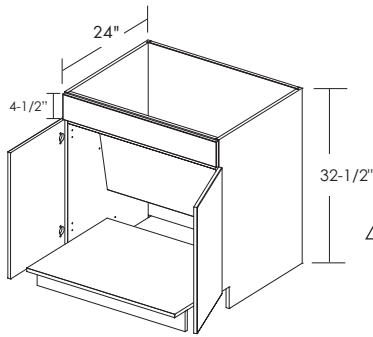
- Two hinges per door
- Three standard drawers and one deep drawer
- Specify L or R for sink base location
- **AD 21"**

	A	B		A	B
HCS4DBC36FH L or R	24"	12"	HCS4DBC39FH-DB15 L or R	24"	15"
HCS4DBC39FH L or R	27"	12"	HCS4DBC42FH-DB15 L or R	27"	15"
HCS4DBC42FH L or R	30"	12"	HCS4DBC45FH-DB15 L or R	30"	15"
HCS4DBC45FH L or R	33"	12"	HCS4DBC48FH-DB15 L or R	33"	15"
HCS4DBC48FH L or R	36"	12"			

AD = Altered depth option

## UNIVERSAL ACCESS CABINETRY

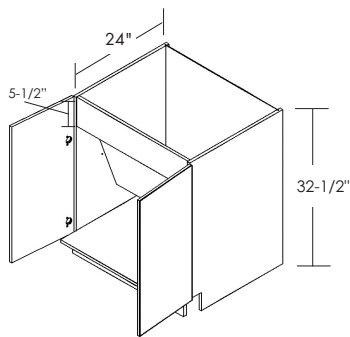
Cabinet Height: 32-1/2". Toe Kick Height: 4".



## UNIVERSAL ACCESS SINK BASE REMOVABLE BOTTOM

- Two hinges per door
- One false front
- Matching interior
- **AD 21" and 22"**
- \* **When ordered in Forza or Chateau door style, sink front will be slab**
- **To meet clearance requirements, the sink front height will NOT align with adjacent cabinetry with drawers or a drawer front.**

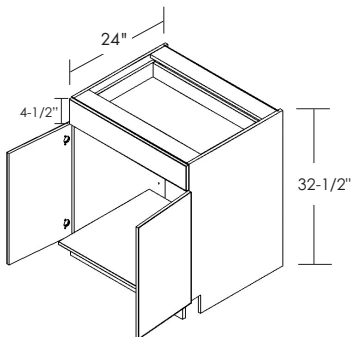
HCSB31.5RB  
HCSB33RB  
HCSB36RB  
HCSB39RB  
HCSB42RB



## UNIVERSAL ACCESS SINK BASE REMOVABLE BOTTOM FULL HEIGHT DOOR

- Two hinges per door
- Matching interior
- Sink skirt is 5-1/2" high
- **AD 21" and 22"**

HCSB31.5FHRB  
HCSB33FHRB  
HCSB36FHRB  
HCSB39FHRB  
HCSB42FHRB



## UNIVERSAL ACCESS BASE REMOVABLE BOTTOM

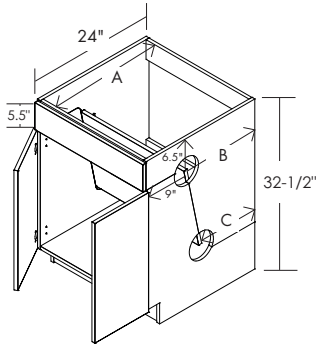
- Two hinges per door
- One top drawer
- Matching interior
- Not available with Double Wall Drawer system
- **AD 21" and 22"**
- \* **When ordered in Forza or Chateau door style, sink front will be slab**
- **To meet clearance requirements, the sink front height will NOT align with adjacent cabinetry with drawers or a drawer front.**

HCB31.5RB  
HCB33RB  
HCB36RB  
HCB39RB



## UNIVERSAL ACCESS CABINETRY

### UNIVERSAL ACCESS ACCESSIBLE SINK BASE

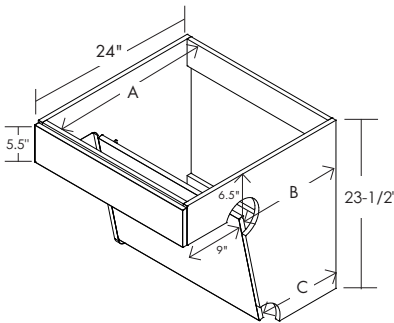


- Two hinges per door
- One false front
- Baffle matches exterior finish
- **Both the insert and base must be ordered**
- **AD 21" and 22"**
- **UFAS inserts wider than 36" should not be used without a base for support**

INSERT	BASE
UFASIOHCSB30	HCACSB30B
UFASIOHCSB33	HCACSB33B
UFASIOHCSB36	HCACSB36B
UFASIOHCSB39	HCACSB39B
UFASIOHCSB42	HCACSB42B

Cabinet Depth	A	B	C
24"	22.7"	14.4"	11.1"
21"	19.7"	11.4"	8.1"

### UFAS UNIVERSAL ACCESS SINK BASE INSERT ONLY



- Baffle is removable for plumbing access
- Designed to meet minimum National ADA clearance requirements when installed at 32-1/2" above the floor
- Insert can be trimmed in field to meet local codes
- Baffle matches exterior finish
- **AD 21" and 22"**
- **UFAS inserts wider than 36" should not be used without a base for support**

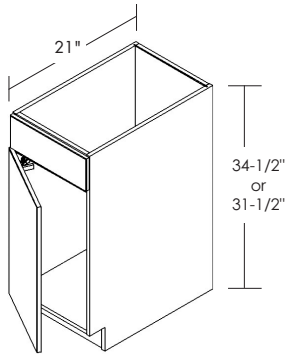
UFASIOHCSB30  
UFASIOHCSB33  
UFASIOHCSB36

Cabinet Depth	A	B	C
24"	22.7"	14.4"	11.1"
21"	19.7"	11.4"	8.1"

AD = Altered depth option

**VANITY BASE CABINETS**

Cabinet Height: 31-1/2" or 34-1/2". Toe Kick Height: 4".

**SINGLE DOOR VANITY SINK BASE**

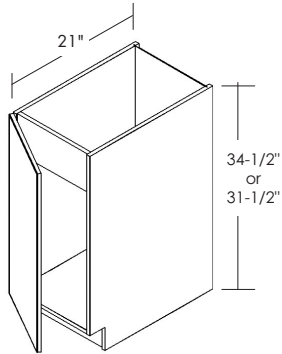
- Two hinges per door
- Specify L or R door hinging
- One false front
- **AD 18" and 22"**
- **NTK**

**31-1/2" HIGH**

VSB18 L or R  
VSB21 L or R  
VSB24 L or R

**34-1/2" HIGH**

VSB18H L or R  
VSB21H L or R  
VSB24H L or R

**SINGLE DOOR FULL HEIGHT VANITY SINK BASE**

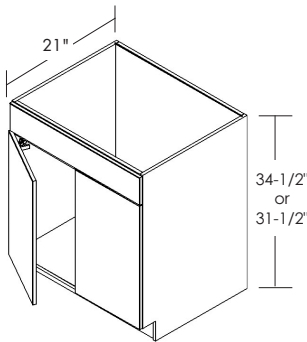
- Two hinges per door
- Specify L or R door hinging
- **AD 18" and 22"**
- **NTK**

**31-1/2" HIGH**

VSB18FH L or R  
VSB21FH L or R  
VSB24FH L or R

**34-1/2" HIGH**

VSB18HFH L or R  
VSB21HFH L or R  
VSB24HFH L or R

**DOUBLE DOOR VANITY SINK BASE WITH SINGLE DRAWER FRONT**

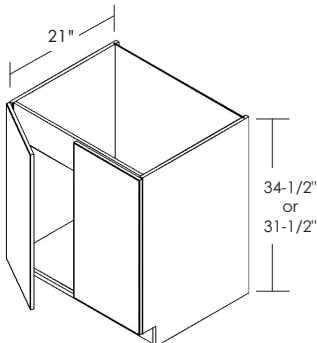
- Two hinges per door
- One false front
- **AD 18" and 22"**
- **NTK**

**31-1/2" HIGH**

VSB24  
VSB27  
VSB30  
VSB33  
VSB36  
VSB39  
VSB42  
VSB45  
VSB48

**34-1/2" HIGH**

VSB24H  
VSB27H  
VSB30H  
VSB33H  
VSB36H  
VSB39H  
VSB42H  
VSB45H  
VSB48H

**DOUBLE DOOR FULL HEIGHT VANITY SINK BASE**

- Two hinges per door
- **AD 18" and 22"**
- **NTK**

**31-1/2" HIGH**

VSB24FH  
VSB27FH  
VSB30FH  
VSB33FH  
VSB36FH  
VSB39FH  
VSB42FH  
VSB45FH  
VSB48FH

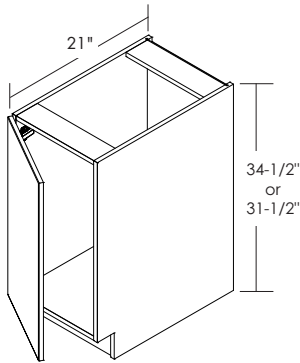
**34-1/2" HIGH**

VSB24HFH  
VSB27HFH  
VSB30HFH  
VSB33HFH  
VSB36HFH  
VSB39HFH  
VSB42HFH  
VSB45HFH  
VSB48HFH

**AD** = Altered depth option  
**NTK** = No kick option

## VANITY BASE CABINETRY

Cabinet Height: 31-1/2" or 34-1/2". Toe Kick Height: 4".



### SINGLE DOOR FULL HEIGHT VANITY BASE

- Two hinges per door
- Specify L or R door hinging
- **AD 18" and 22"**
- **NTK**

#### 31-1/2" HIGH

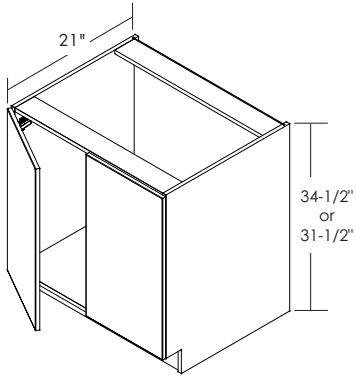
VB09FH L or R  
 VB12FH L or R  
 VB15FH L or R  
 VB18FH L or R  
 VB21FH L or R  
 VB24FH L or R

#### 34-1/2" HIGH

VB09HFH L or R  
 VB12HFH L or R  
 VB15HFH L or R  
 VB18HFH L or R  
 VB21HFH L or R  
 VB24HFH L or R

### DOUBLE DOOR FULL HEIGHT VANITY BASE

- Two hinges per door
- **AD 18" and 22"**
- **NTK**



#### 31-1/2" HIGH

VB24FH  
 VB27FH  
 VB30FH  
 VB33FH  
 VB36FH  
 VB39FH  
 VB42FH  
 VB45FH  
 VB48FH

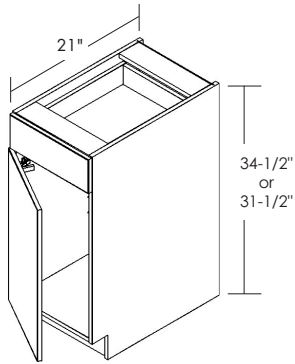
#### 34-1/2" HIGH

VB24HFH  
 VB27HFH  
 VB30HFH  
 VB33HFH  
 VB36HFH  
 VB39HFH  
 VB42HFH  
 VB45HFH  
 VB48HFH

**AD** = Altered depth option  
**NTK** = No toe kick option

## VANITY BASE CABINETRY

Cabinet Height: 31-1/2" or 34-1/2". Toe Kick Height: 4".



### VANITY BASE SINGLE DOOR AND DRAWER

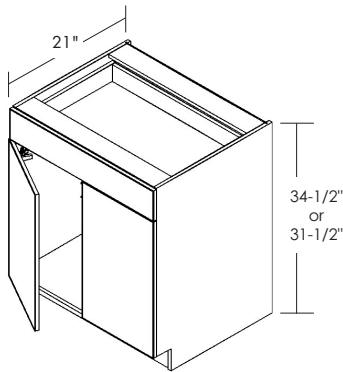
- Two hinges per door
- Specify L or R door hinging
- **AD 22"**
- **NTK**
- \* **Not available in Forza door style**

#### 31-1/2" HIGH

\*VB09 L or R  
 VB12 L or R  
 VB15 L or R  
 VB18 L or R  
 VB21 L or R  
 VB24 L or R

#### 34-1/2" HIGH

\*VB09H L or R  
 VB12H L or R  
 VB15H L or R  
 VB18H L or R  
 VB21H L or R  
 VB24H L or R



### VANITY BASE DOUBLE DOOR AND SINGLE DRAWER

- Two hinges per door
- **AD 22"**
- **NTK**

#### 31-1/2" HIGH

VB24  
 VB27  
 VB30  
 VB33  
 VB36  
 VB39

#### 34-1/2" HIGH

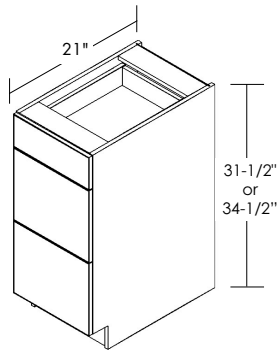
VB24H  
 VB27H  
 VB30H  
 VB33H  
 VB36H  
 VB39H



## VANITY BASE CABINETRY

Cabinet Height: 31-1/2" or 34-1/2". Toe Kick Height: 4".

## THREE DRAWER VANITY BASE



- One standard height drawer on top and two deep drawers on bottom
- **AD 22"**
- **NTK**
- \* **Not available in Forza door style**

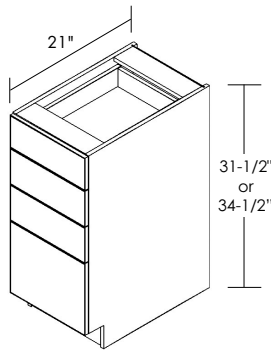
**31-1/2" HIGH**

\*VDB09-3  
VDB12-3  
VDB15-3  
VDB18-3  
VDB21-3  
VDB24-3  
VDB27-3  
VDB30-3

**34-1/2" HIGH**

\*VDB09H-3  
VDB12H-3  
VDB15H-3  
VDB18H-3  
VDB21H-3  
VDB24H-3  
VDB27H-3  
VDB30H-3

## FOUR DRAWER VANITY BASE



- Three standard height drawers on top and one deep bottom drawer
- **AD 22"**
- **NTK**
- \* **Not available in Forza door style**

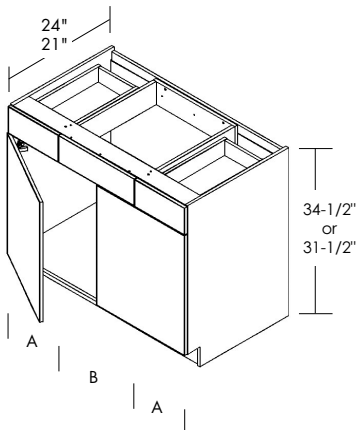
**31-1/2" HIGH**

\*VDB09-4  
VDB12-4  
VDB15-4  
VDB18-4  
VDB21-4  
VDB24-4  
VDB27-4  
VDB30-4

**34-1/2" HIGH**

\*VDB09H-4  
VDB12H-4  
VDB15H-4  
VDB18H-4  
VDB21H-4  
VDB24H-4  
VDB27H-4  
VDB30H-4

## COMBO DOUBLE DOOR VANITY SINK BASE WITH TWO DRAWERS



- Two hinges per door
- Two standard depth drawers on each side with one false front center
- **AD 24" and 22"**
- \* **When ordered in Forza door style, drawer head will be slab**

**31-1/2" HIGH**

\*CVSB36  
\*CVSB39  
CVSB42  
CVSB45  
CVSB48

**34-1/2" HIGH**

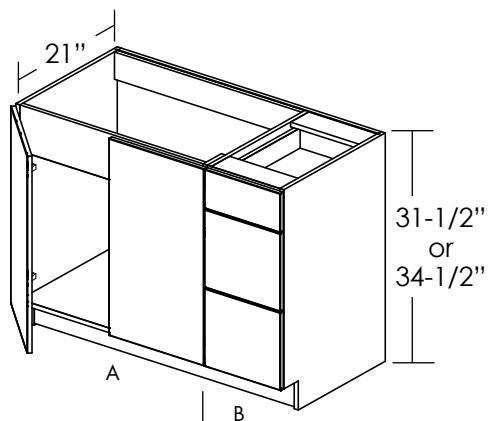
\*CVSB36H  
\*CVSB39H  
CVSB42H  
CVSB45H  
CVSB48H

	A	B	A
*CVSB36/CVSB36H	9"	18"	9"
*CVSB39/CVSB39H	9"	21"	9"
CVSB42/CVSB42H	12"	18"	12"
CVSB45/CVSB45H	12"	21"	12"
CVSB48/CVSB48H	12"	24"	12"

AD = Altered depth option

## VANITY BASE CABINETRY

Cabinet Height: 31-1/2" or 34-1/2". Toe Kick Height: 4".



L sink location shown

**FULL HEIGHT COMBO VANITY DOUBLE DOOR  
SINK WITH THREE DRAWER BASE**

NEW

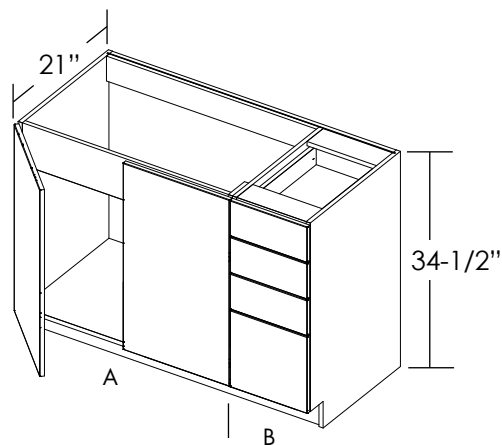
- Two hinges per door
- One standard drawer and two deep drawers
- Specify L or R for sink base location

**STANDARD VANITY HEIGHT - 31-1/2" HIGH**

12" DRAWERS	A	B	15" DRAWERS	A	B
CVSDB36FH L or R	24"	12"			
CVSDB39FH L or R	27"	12"	CVSDB39FH-DB15 L or R	24"	15"
CVSDB42FH L or R	30"	12"	CVSDB42FH-DB15 L or R	27"	15"
CVSDB45FH L or R	33"	12"	CVSDB45FH-DB15 L or R	30"	15"
CVSDB48FH L or R	36"	12"	CVSDB48FH-DB15 L or R	33"	15"

**TALL VANITY HEIGHT - 34-1/2" HIGH** **NEW**

12" DRAWERS	A	B	15" DRAWERS	A	B
CV3SDB36HFH L or R	24"	12"			
CV3SDB39HFH L or R	27"	12"	CV3SDB39HFH-DB15 L or R	24"	15"
CV3SDB42HFH L or R	30"	12"	CV3SDB42HFH-DB15 L or R	27"	15"
CV3SDB45HFH L or R	33"	12"	CV3SDB45HFH-DB15 L or R	30"	15"
CV3SDB48HFH L or R	36"	12"	CV3SDB48HFH-DB15 L or R	33"	15"



L sink location shown

**TALL FULL HEIGHT COMBO VANITY DOUBLE  
DOOR SINK WITH FOUR DRAWER BASE**

NEW

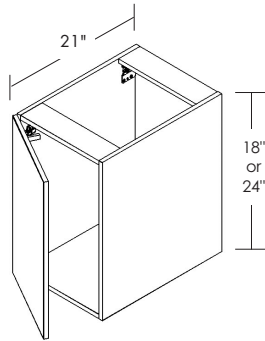
- Two hinges per door
- Three standard drawers and one deep drawer
- Specify L or R for sink base location

**TALL VANITY HEIGHT - 34-1/2" HIGH**

12" DRAWERS	A	B	15" DRAWERS	A	B
CVSDB36HFH L or R	24"	12"			
CVSDB39HFH L or R	27"	12"	CVSDB39HFH-DB15 L or R	24"	15"
CVSDB42HFH L or R	30"	12"	CVSDB42HFH-DB15 L or R	27"	15"
CVSDB45HFH L or R	33"	12"	CVSDB45HFH-DB15 L or R	30"	15"
CVSDB48HFH L or R	36"	12"	CVSDB48HFH-DB15 L or R	33"	15"

BASES

## VANITY BASE CABINETS



### HANGING VANITY BASE FULL HEIGHT SINGLE DOOR

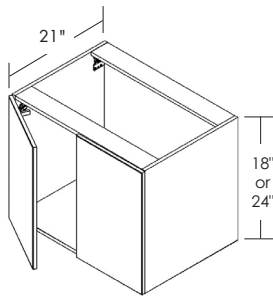
- Two hinges per door
- Specify L or R door hinging
- Comes with adjustable half depth shelf
- **AD 18" and 22"**
- **FDS**
- **Includes mounting brackets and requires solid blocking in wall**

#### 18" HIGH

HVB0918FH L or R  
HVB1218FH L or R  
HVB1518FH L or R  
HVB1818FH L or R  
HVB2118FH L or R

#### 24" HIGH

HVB0924FH L or R  
HVB1224FH L or R  
HVB1524FH L or R  
HVB1824FH L or R  
HVB2124FH L or R



### HANGING VANITY BASE FULL HEIGHT DOUBLE DOOR

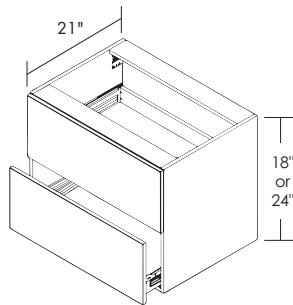
- Two hinges per door
- Comes with adjustable half depth shelf
- **AD 18" and 22"**
- **FDS**
- **Includes mounting brackets and requires solid blocking in wall**

#### 18" HIGH

HVB2418FH  
HVB2718FH  
HVB3018FH  
HVB3318FH  
HVB3618FH

#### 24" HIGH

HVB2424FH  
HVB2724FH  
HVB3024FH  
HVB3324FH  
HVB3624FH



### HANGING VANITY TWO DRAWER BASE

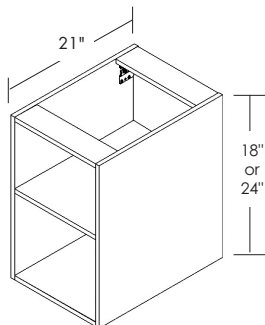
- Two equal size drawers
- **AD 22"**
- **Includes mounting brackets and requires solid blocking in wall**

#### 18" HIGH

HVDB1218  
HVDB1518  
HVDB1818  
HVDB2118  
HVDB2418  
HVDB2718  
HVDB3018

#### 24" HIGH

HVDB1224  
HVDB1524  
HVDB1824  
HVDB2124  
HVDB2424  
HVDB2724  
HVDB3024



### HANGING VANITY BOOK SHELF

- One full depth fixed center shelf
- Two equal openings
- **AD 18" and 22"**
- **Includes mounting brackets and requires solid blocking in wall**

#### 18" HIGH

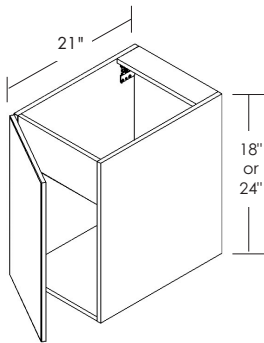
HVBS0918  
HVBS1218  
HVBS1518  
HVBS1818  
HVBS2118  
HVBS2418  
HVBS2718  
HVBS3018  
HVBS3318  
HVBS3618

#### 24" HIGH

HVBS0924  
HVBS1224  
HVBS1524  
HVBS1824  
HVBS2124  
HVBS2424  
HVBS2724  
HVBS3024  
HVBS3324  
HVBS3624

AD = Altered depth option

Cabinet Height: 18" or 24".

**VANITY BASE CABINETS****HANGING VANITY SINK BASE FULL HEIGHT SINGLE DOOR**

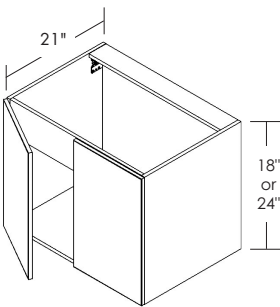
- Two hinges per door
- Specify L or R door hinging
- **AD 18" and 22"**
- **Includes mounting brackets and requires solid blocking in wall**

**18" HIGH**

HVSB1818FH L or R  
HVSB2118FH L or R

**24" HIGH**

HVSB1824FH L or R  
HVSB2124FH L or R

**HANGING VANITY SINK BASE FULL HEIGHT DOUBLE DOOR**

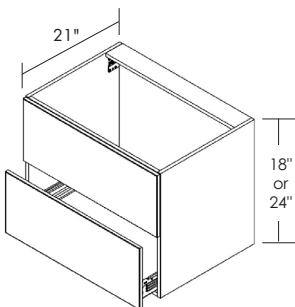
- Two hinges per door
- **AD 18" and 22"**
- **Includes mounting brackets and requires solid blocking in wall**

**18" HIGH**

HVSB2418FH  
HVSB2718FH  
HVSB3018FH  
HVSB3318FH  
HVSB3618FH

**24" HIGH**

HVSB2424FH  
HVSB2724FH  
HVSB3024FH  
HVSB3324FH  
HVSB3624FH

**HANGING VANITY SINK DRAWER BASE**

- One top false front
- One bottom drawer
- **AD 22"**
- **Includes mounting brackets and requires solid blocking in wall**

**18" HIGH**

HVSD1818  
HVSD2118  
HVSD2418  
HVSD2718  
HVSD3018

**24" HIGH**

HVSD1824  
HVSD2124  
HVSD2424  
HVSD2724  
HVSD3024

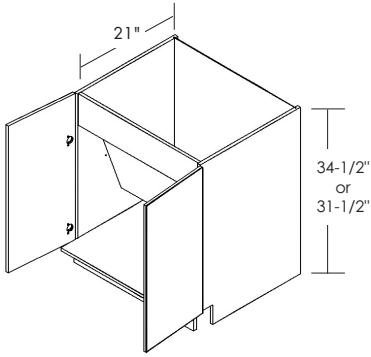
Leedo does not provide drawer cut out for p-trap and may require plumbing to clear drawer operation.

AD = Altered depth option  
 NTK = No toe kick option

**VANITY BASE CABINETRY**

Cabinet Height: 31-1/2. Toe Kick Height: 4".

**VANITY SINK BASE REMOVABLE BOTTOM FULL HEIGHT DOOR**



- Two hinges per door
- Matching interiors
- **AD 18" and 22"**

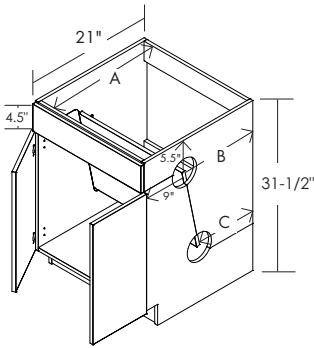
**31-1/2" HIGH**

- VSB31.5FHFB
- VSB33FHFB
- VSB36FHFB
- VSB39FHFB
- VSB42FHFB

**34-1/2" HIGH**

- VSB31.5HFHFB
- VSB33HFHFB
- VSB36HFHFB
- VSB39HFHFB
- VSB42HFHFB

**ACCESSIBLE VANITY SINK BASE**



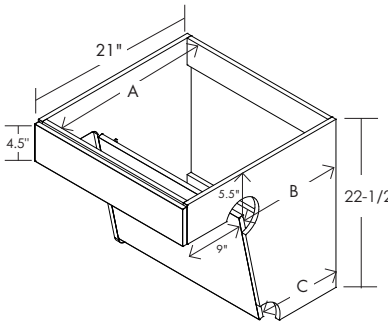
- Two hinges per door
- One false front
- Baffle matches exterior finish
- **AD 22"**
- **Both the insert and base must be ordered**
- **NTK option available on base**
- **UFAS inserts wider than 36" should not be used without a base for support**
- **When ordered in Forza or Chateau door style, the false drawer front will be slab**



INSERT	BASE
UFASIOV30	VACSB30B
UFASIOV33	VACSB33B
UFASIOV36	VACSB36B
UFASIOV39	VACSB39B
UFASIOV42	VACSB42B

Cabinet Depth	A	B	C
21"	19.7"	11.4"	8.1"

**UFAS VANITY SINK BASE INSERT ONLY**



- Baffle is removable for plumbing access
- Designed to meet minimum National ADA clearance requirements when installed 31-1/2" above the floor
- Insert can be trimmed in field to meet local codes
- Baffle matches exterior finish
- **AD 22"**
- **UFAS inserts wider than 36" should not be used without a base for support**
- **When ordered in Forza or Chateau door style, the false drawer front will be slab**

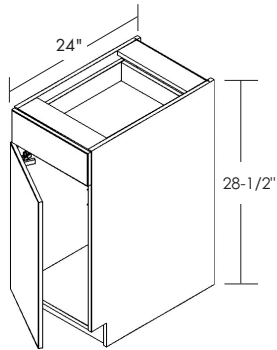
- UFASIOV30
- UFASIOV33
- UFASIOV36

Cabinet Depth	A	B	C
21"	19.7"	11.4"	8.1"

**AD** = Altered depth option  
**FDS** = Full depth shelf option

## DESK BASE CABINETRY

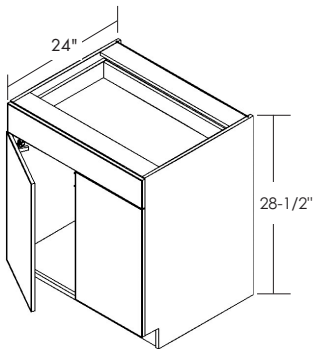
Cabinet Height: 28-1/2. Toe Kick Height: 4".



### DESK BASE SINGLE DOOR AND DRAWER

- Two hinges per door
- Specify L or R door hinging
- Comes with adjustable half depth shelf
- **AD 21" and 22"**
- **FDS**

DKB12 L or R  
 DKB15 L or R  
 DKB18 L or R  
 DKB21 L or R  
 DKB24 L or R



### DESK BASE DOUBLE DOOR AND SINGLE DRAWER

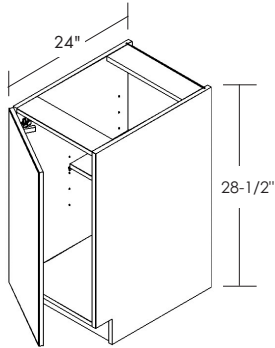
- Two hinges per door
- Comes with adjustable half depth shelf
- **AD 21" and 22"**
- **FDS**

DKB24  
 DKB27

**AD** = Altered depth option  
**FDS** = Full depth shelf option

## DESK BASE CABINETRY

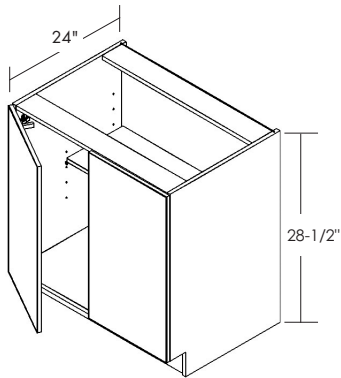
Cabinet Height: 28-1/2". Toe Kick Height: 4".



### DESK BASE FULL HEIGHT SINGLE DOOR

- Two hinges per door
- Specify L or R door hinging
- Comes with adjustable half depth shelf
- **AD 18", 21" or 22"**
- **FDS**

DKB09FH L or R  
 DKB12FH L or R  
 DKB15FH L or R  
 DKB18FH L or R  
 DKB21FH L or R  
 DKB24FH L or R



### DESK BASE FULL HEIGHT DOUBLE DOOR

- Two hinges per door
- Comes with adjustable half depth shelf
- **AD 18", 21" or 22"**
- **FDS**

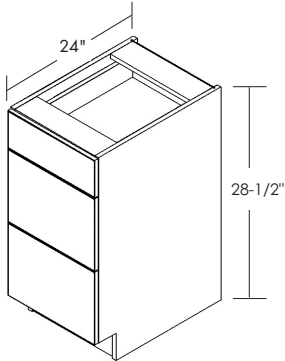
DKB24FH  
 DKB27FH  
 DKB30FH  
 DKB33FH  
 DKB36FH  
 \*DKB39FH  
 \*DKB42FH  
 \*DKB45FH  
 \*DKB48FH

\*FDS is not available on DKB39FH, DKB42FH, DKB45FH, and DKB48FH

AD = Altered depth option

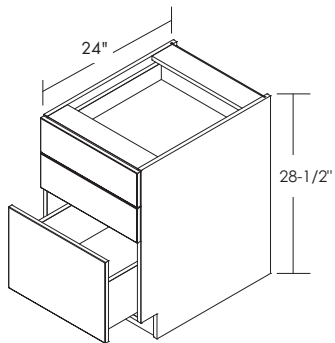
**DESK BASE CABINETS**

Cabinet Height: 28-1/2". Toe Kick Height: 4".

**THREE DRAWER DESK BASE**

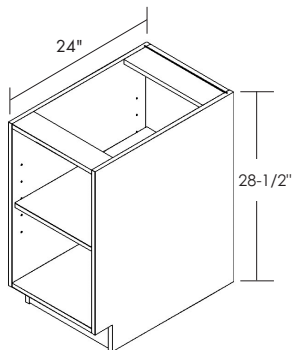
- One standard depth drawer on top and two deep drawers on bottom
- **AD 21" and 22"**

DKDB12-3  
DKDB15-3  
DKDB18-3  
DKDB21-3  
DKDB24-3

**FILE DRAWER DESK BASE**

- Two standard height drawers
- Deep drawer on bottom to accommodate files
- Recommend upgrading cabinet with full extension drawer guides
- **AD 21" and 22"**

DKFD18

**DESK BASE BOOKSHELF**

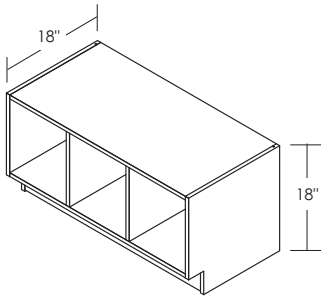
- Two 9- 3/4" H openings
- Color matching interior
- Adjustable full depth shelf
- **AD 12", 18", 21" or 22"**

DKBBS18  
DKBBS21  
DKBBS24  
DKBBS27  
DKBBS30



## FURNITURE BASE CABINTRY

Toe Kick Height: 4".



BMRO3618X18-DIV is shown

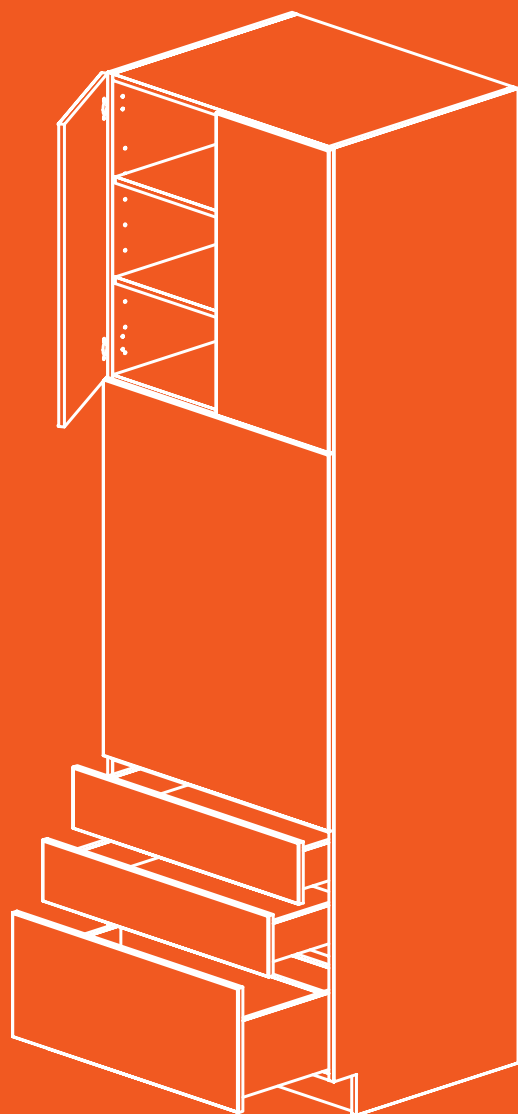
## BASE MUD ROOM OPEN CABINET WITH DIVIDERS

- Comes with matching finished interior
- **Top surface is raw and should be covered by a counter top or other decking material**

Cabinet	Openings
BMRO1818X18	1
BMRO2418X18-DIV	2
BMRO2718X18-DIV	2
BMRO3018X18-DIV	2
BMRO3318X18-DIV	2
BMRO3618X18-DIV	3
BMRO3918X18-DIV	3
BMRO4218X18-DIV	3
BMRO4518X18-DIV	3
BMRO4818X18-DIV	4

# EURO TALLS

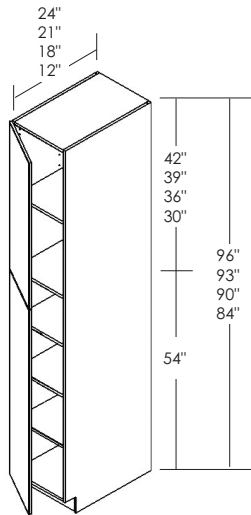
---





## TALL CABINETRY

Toe Kick Height: 4".



## PANTRY CABINET WITH SINGLE DOORS

- Bottom door has three hinges. Upper door has two hinges, except 96" high cabinets have three hinges on top door
- Specify L or R door hinging
- Comes with three full depth adjustable shelves in lower section and one full depth adjustable shelf in upper section.
- Has one fixed shelf between the doors

**12" DEEP CABINETS**

P1284X12 L or R  
 P1584X12 L or R  
 P1884X12 L or R  
 P2184X12 L or R

P1290X12 L or R  
 P1590X12 L or R  
 P1890X12 L or R  
 P2190X12 L or R

P1293X12 L or R  
 P1593X12 L or R  
 P1893X12 L or R  
 P2193X12 L or R

P1296X12 L or R  
 P1596X12 L or R  
 P1896X12 L or R  
 P2196X12 L or R

**18" DEEP CABINETS**

P1284X18 L or R  
 P1584X18 L or R  
 P1884X18 L or R  
 P2184X18 L or R

P1290X18 L or R  
 P1590X18 L or R  
 P1890X18 L or R  
 P2190X18 L or R

P1293X18 L or R  
 P1593X18 L or R  
 P1893X18 L or R  
 P2193X18 L or R

P1296X18 L or R  
 P1596X18 L or R  
 P1896X18 L or R  
 P2196X18 L or R

**21" DEEP CABINETS**

P1284X21 L or R  
 P1584X21 L or R  
 P1884X21 L or R  
 P2184X21 L or R

P1290X21 L or R  
 P1590X21 L or R  
 P1890X21 L or R  
 P2190X21 L or R

P1293X21 L or R  
 P1593X21 L or R  
 P1893X21 L or R  
 P2193X21 L or R

P1296X21 L or R  
 P1596X21 L or R  
 P1896X21 L or R  
 P2196X21 L or R

**24" DEEP CABINETS**

P1284X24 L or R  
 P1584X24 L or R  
 P1884X24 L or R  
 P2184X24 L or R

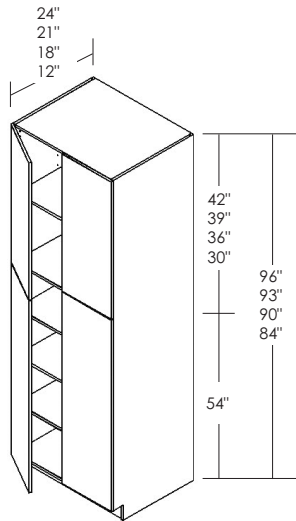
P1290X24 L or R  
 P1590X24 L or R  
 P1890X24 L or R  
 P2190X24 L or R

P1293X24 L or R  
 P1593X24 L or R  
 P1893X24 L or R  
 P2193X24 L or R

P1296X24 L or R  
 P1596X24 L or R  
 P1896X24 L or R  
 P2196X24 L or R

## TALL CABINETRY

Toe Kick Height: 4".



## PANTRY CABINET WITH DOUBLE DOORS

- Bottom door has three hinges. Upper door has two hinges, except 96" high cabinets have three hinges on top door
- Comes with double doors on top and bottom sections
- Comes with three full depth adjustable shelves in lower section and one full depth adjustable shelf in upper section.
- Has one fixed shelf between the doors

**12" DEEP CABINETS**

P2484X12  
P2784X12  
P3084X12  
P3384X12  
P3684X12

P2490X12  
P2790X12  
P3090X12  
P3390X12  
P3690X12

P2493X12  
P2793X12  
P3093X12  
P3393X12  
P3693X12

P2496X12  
P2796X12  
P3096X12  
P3396X12  
P3696X12

**18" DEEP CABINETS**

P2484X18  
P2784X18  
P3084X18  
P3384X18  
P3684X18

P2490X18  
P2790X18  
P3090X18  
P3390X18  
P3690X18

P2493X18  
P2793X18  
P3093X18  
P3393X18  
P3693X18

P2496X18  
P2796X18  
P3096X18  
P3396X18  
P3696X18

**21" DEEP CABINETS**

P2484X21  
P2784X21  
P3084X21  
P3384X21  
P3684X21

P2490X21  
P2790X21  
P3090X21  
P3390X21  
P3690X21

P2493X21  
P2793X21  
P3093X21  
P3393X21  
P3693X21

P2496X21  
P2796X21  
P3096X21  
P3396X21  
P3696X21

**24" DEEP CABINETS**

P2484X24  
P2784X24  
P3084X24  
P3384X24  
P3684X24

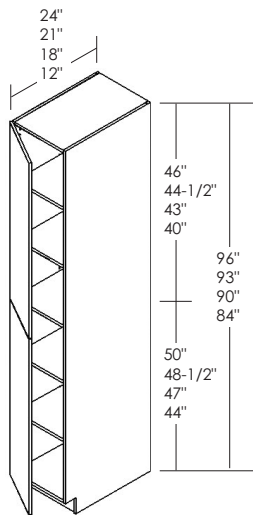
P2490X24  
P2790X24  
P3090X24  
P3390X24  
P3690X24

P2493X24  
P2793X24  
P3093X24  
P3393X24  
P3693X24

P2496X24  
P2796X24  
P3096X24  
P3396X24  
P3696X24

## TALL CABINETRY

Toe Kick Height: 4".



### UTILITY CABINET WITH SINGLE DOORS

- 84" high has two hinges per door. 90", 93" and 96" high have three hinges per door.
- Specify L or R door hinging
- Comes with three full depth adjustable shelves in lower section and one full depth adjustable shelf in upper section.
- Has one fixed shelf between the doors

#### 12" DEEP CABINETS

UC1284X12 L or R  
UC1584X12 L or R  
UC1884X12 L or R  
UC2184X12 L or R

UC1290X12 L or R  
UC1590X12 L or R  
UC1890X12 L or R  
UC2190X12 L or R

UC1293X12 L or R  
UC1593X12 L or R  
UC1893X12 L or R  
UC2193X12 L or R

UC1296X12 L or R  
UC1596X12 L or R  
UC1896X12 L or R  
UC2196X12 L or R

#### 18" DEEP CABINETS

UC1284X18 L or R  
UC1584X18 L or R  
UC1884X18 L or R  
UC2184X18 L or R

UC1290X18 L or R  
UC1590X18 L or R  
UC1890X18 L or R  
UC2190X18 L or R

UC1293X18 L or R  
UC1593X18 L or R  
UC1893X18 L or R  
UC2193X18 L or R

UC1296X18 L or R  
UC1596X18 L or R  
UC1896X18 L or R  
UC2196X18 L or R

#### 21" DEEP CABINETS

UC1284X21 L or R  
UC1584X21 L or R  
UC1884X21 L or R  
UC2184X21 L or R

UC1290X21 L or R  
UC1590X21 L or R  
UC1890X21 L or R  
UC2190X21 L or R

UC1293X21 L or R  
UC1593X21 L or R  
UC1893X21 L or R  
UC2193X21 L or R

UC1296X21 L or R  
UC1596X21 L or R  
UC1896X21 L or R  
UC2196X21 L or R

#### 24" DEEP CABINETS

UC1284X24 L or R  
UC1584X24 L or R  
UC1884X24 L or R  
UC2184X24 L or R

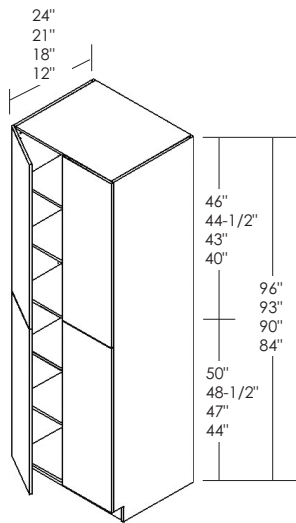
UC1290X24 L or R  
UC1590X24 L or R  
UC1890X24 L or R  
UC2190X24 L or R

UC1293X24 L or R  
UC1593X24 L or R  
UC1893X24 L or R  
UC2193X24 L or R

UC1296X24 L or R  
UC1596X24 L or R  
UC1896X24 L or R  
UC2196X24 L or R

## TALL CABINETRY

Toe Kick Height: 4".



## UTILITY CABINET WITH DOUBLE DOORS

- 84" high has two hinges per door. 90", 93" and 96" high have three hinges per door.
- Specify L or R door hinging
- Comes with three full depth adjustable shelves in lower section and one full depth adjustable shelf in upper section.
- Has one fixed shelf between the doors

**12" DEEP CABINETS**

UC2484X12  
UC2784X12  
UC3084X12  
UC3384X12  
UC3684X12  
  
UC2490X12  
UC2790X12  
UC3090X12  
UC3390X12  
UC3690X12  
  
UC2493X12  
UC2793X12  
UC3093X12  
UC3393X12  
UC3693X12  
  
UC2496X12  
UC2796X12  
UC3096X12  
UC3396X12  
UC3696X12

**18" DEEP CABINETS**

UC2484X18  
UC2784X18  
UC3084X18  
UC3384X18  
UC3684X18  
  
UC2490X18  
UC2790X18  
UC3090X18  
UC3390X18  
UC3690X18  
  
UC2493X18  
UC2793X18  
UC3093X18  
UC3393X18  
UC3693X18  
  
UC2496X18  
UC2796X18  
UC3096X18  
UC3396X18  
UC3696X18

**21" DEEP CABINETS**

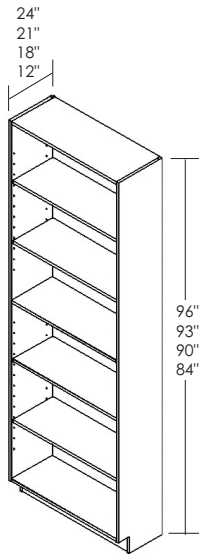
UC2484X21  
UC2784X21  
UC3084X21  
UC3384X21  
UC3684X21  
  
UC2490X21  
UC2790X21  
UC3090X21  
UC3390X21  
UC3690X21  
  
UC2493X21  
UC2793X21  
UC3093X21  
UC3393X21  
UC3693X21  
  
UC2496X21  
UC2796X21  
UC3096X21  
UC3396X21  
UC3696X21

**24" DEEP CABINETS**

UC2484X24  
UC2784X24  
UC3084X24  
UC3384X24  
UC3684X24  
  
UC2490X24  
UC2790X24  
UC3090X24  
UC3390X24  
UC3690X24  
  
UC2493X24  
UC2793X24  
UC3093X24  
UC3393X24  
UC3693X24  
  
UC2496X24  
UC2796X24  
UC3096X24  
UC3396X24  
UC3696X24

## TALL CABINETRY

Toe Kick Height: 4".



## TALL BOOKSHELF

- Comes with two adjustable shelves in lower section, one fixed shelf in the middle, and two adjustable shelves in the upper section.
- Comes with matching interior finish.

**12" DEEP CABINETS**

TBS1284X12  
TBS1584X12  
TBS1884X12  
TBS2184X12  
TBS2484X12  
TBS2784X12  
TBS3084X12  
TBS3384X12  
TBS3684X12

TBS1290X12  
TBS1590X12  
TBS1890X12  
TBS2190X12  
TBS2490X12  
TBS2790X12  
TBS3090X12  
TBS3390X12  
TBS3690X12

TBS1293X12  
TBS1593X12  
TBS1893X12  
TBS2193X12  
TBS2493X12  
TBS2793X12  
TBS3093X12  
TBS3393X12  
TBS3693X12

TBS1296X12  
TBS1596X12  
TBS1896X12  
TBS2196X12  
TBS2496X12  
TBS2796X12  
TBS3096X12  
TBS3396X12  
TBS3696X12

**18" DEEP CABINETS**

TBS1284X18  
TBS1584X18  
TBS1884X18  
TBS2184X18  
TBS2484X18  
TBS2784X18  
TBS3084X18  
TBS3384X18  
TBS3684X18

TBS1290X18  
TBS1590X18  
TBS1890X18  
TBS2190X18  
TBS2490X18  
TBS2790X18  
TBS3090X18  
TBS3390X18  
TBS3690X18

TBS1293X18  
TBS1593X18  
TBS1893X18  
TBS2193X18  
TBS2493X18  
TBS2793X18  
TBS3093X18  
TBS3393X18  
TBS3693X18

TBS1296X18  
TBS1596X18  
TBS1896X18  
TBS2196X18  
TBS2496X18  
TBS2796X18  
TBS3096X18  
TBS3396X18  
TBS3696X18

**21" DEEP CABINETS**

TBS1284X21  
TBS1584X21  
TBS1884X21  
TBS2184X21  
TBS2484X21  
TBS2784X21  
TBS3084X21  
TBS3384X21  
TBS3684X21

TBS1290X21  
TBS1590X21  
TBS1890X21  
TBS2190X21  
TBS2490X21  
TBS2790X21  
TBS3090X21  
TBS3390X21  
TBS3690X21

TBS1293X21  
TBS1593X21  
TBS1893X21  
TBS2193X21  
TBS2493X21  
TBS2793X21  
TBS3093X21  
TBS3393X21  
TBS3693X21

TBS1296X21  
TBS1596X21  
TBS1896X21  
TBS2196X21  
TBS2496X21  
TBS2796X21  
TBS3096X21  
TBS3396X21  
TBS3696X21

**24" DEEP CABINETS**

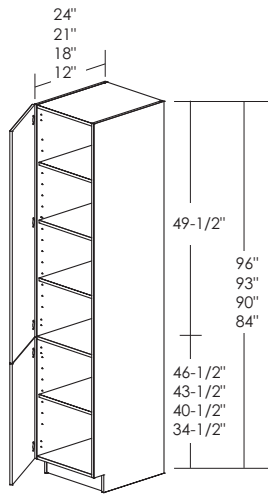
TBS1284X24  
TBS1584X24  
TBS1884X24  
TBS2184X24  
TBS2484X24  
TBS2784X24  
TBS3084X24  
TBS3384X24  
TBS3684X24

TBS1290X24  
TBS1590X24  
TBS1890X24  
TBS2190X24  
TBS2490X24  
TBS2790X24  
TBS3090X24  
TBS3390X24  
TBS3690X24

TBS1293X24  
TBS1593X24  
TBS1893X24  
TBS2193X24  
TBS2493X24  
TBS2793X24  
TBS3093X24  
TBS3393X24  
TBS3693X24

TBS1296X24  
TBS1596X24  
TBS1896X24  
TBS2196X24  
TBS2496X24  
TBS2796X24  
TBS3096X24  
TBS3396X24  
TBS3696X24





### LINEN CABINET WITH SINGLE DOORS

- Three hinges per door on upper door, two hinges per door on bottom door
- Specify L or R door hinging
- Comes with three full depth adjustable shelves in upper section and one full depth adjustable shelf in lower section
- Has one fixed shelf between the doors
- Bottom door on the 84" high linen is same height as a full height kitchen base cabinet
- Bottom door on 84" high linen cabinets will align with 34-1/2" high vanity cabinets

#### 12" DEEP CABINETS

LC1284X12 L or R  
 LC1584X12 L or R  
 LC1884X12 L or R  
 LC2184X12 L or R

LC1290X12 L or R  
 LC1590X12 L or R  
 LC1890X12 L or R  
 LC2190X12 L or R

LC1293X12 L or R  
 LC1593X12 L or R  
 LC1893X12 L or R  
 LC2193X12 L or R

LC1296X12 L or R  
 LC1596X12 L or R  
 LC1896X12 L or R  
 LC2196X12 L or R

#### 18" DEEP CABINETS

LC1284X18 L or R  
 LC1584X18 L or R  
 LC1884X18 L or R  
 LC2184X18 L or R

LC1290X18 L or R  
 LC1590X18 L or R  
 LC1890X18 L or R  
 LC2190X18 L or R

LC1293X18 L or R  
 LC1593X18 L or R  
 LC1893X18 L or R  
 LC2193X18 L or R

LC1296X18 L or R  
 LC1596X18 L or R  
 LC1896X18 L or R  
 LC2196X18 L or R

#### 21" DEEP CABINETS

LC1284X21 L or R  
 LC1584X21 L or R  
 LC1884X21 L or R  
 LC2184X21 L or R

LC1290X21 L or R  
 LC1590X21 L or R  
 LC1890X21 L or R  
 LC2190X21 L or R

LC1293X21 L or R  
 LC1593X21 L or R  
 LC1893X21 L or R  
 LC2193X21 L or R

LC1296X21 L or R  
 LC1596X21 L or R  
 LC1896X21 L or R  
 LC2196X21 L or R

#### 24" DEEP CABINETS

LC1284X24 L or R  
 LC1584X24 L or R  
 LC1884X24 L or R  
 LC2184X24 L or R

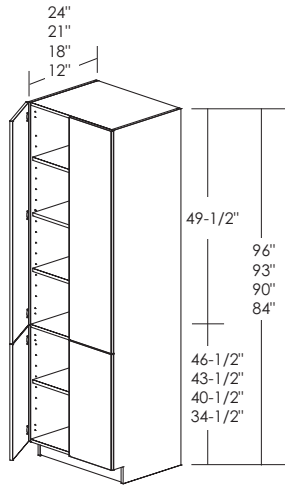
LC1290X24 L or R  
 LC1590X24 L or R  
 LC1890X24 L or R  
 LC2190X24 L or R

LC1293X24 L or R  
 LC1593X24 L or R  
 LC1893X24 L or R  
 LC2193X24 L or R

LC1296X24 L or R  
 LC1596X24 L or R  
 LC1896X24 L or R  
 LC2196X24 L or R

## TALL CABINETS

Toe Kick Height: 4".



## LINEN CABINET WITH DOUBLE DOORS

- Three hinges per door on upper doors, two hinges per door on bottom doors
- Comes with three full depth adjustable shelves in upper section and one full depth adjustable shelf in lower section
- Has one fixed shelf between the doors
- Two doors on top and bottom sections
- Bottom doors on the 84" high linen are same height as a full height kitchen base cabinet
- Bottom doors on 84" high linen cabinets will align with 34-1/2" high vanity cabinets

## 12" DEEP CABINETS

LC2484X12  
LC2784X12  
LC3084X12  
LC3384X12  
LC3684X12

LC2490X12  
LC2790X12  
LC3090X12  
LC3390X12  
LC3690X12

LC2493X12  
LC2793X12  
LC3093X12  
LC3393X12  
LC3693X12

LC2496X12  
LC2796X12  
LC3096X12  
LC3396X12  
LC3696X12

## 18" DEEP CABINETS

LC2484X18  
LC2784X18  
LC3084X18  
LC3384X18  
LC3684X18

LC2490X18  
LC2790X18  
LC3090X18  
LC3390X18  
LC3690X18

LC2493X18  
LC2793X18  
LC3093X18  
LC3393X18  
LC3693X18

LC2496X18  
LC2796X18  
LC3096X18  
LC3396X18  
LC3696X18

## 21" DEEP CABINETS

LC2484X21  
LC2784X21  
LC3084X21  
LC3384X21  
LC3684X21

LC2490X21  
LC2790X21  
LC3090X21  
LC3390X21  
LC3690X21

LC2493X21  
LC2793X21  
LC3093X21  
LC3393X21  
LC3693X21

LC2496X21  
LC2796X21  
LC3096X21  
LC3396X21  
LC3696X21

## 24" DEEP CABINETS

LC2484X24  
LC2784X24  
LC3084X24  
LC3384X24  
LC3684X24

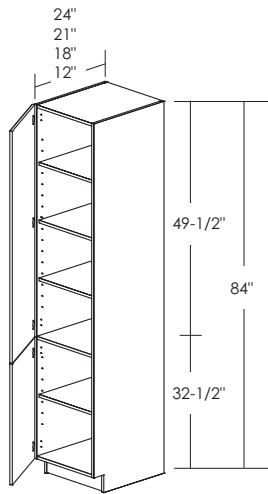
LC2490X24  
LC2790X24  
LC3090X24  
LC3390X24  
LC3690X24

LC2493X24  
LC2793X24  
LC3093X24  
LC3393X24  
LC3693X24

LC2496X24  
LC2796X24  
LC3096X24  
LC3396X24  
LC3696X24

## TALL CABINETRY

Toe Kick Height: 4".



## UNIVERSAL ACCESS LINEN CABINET WITH SINGLE DOORS

- Three hinges per door on upper door, two hinges per door on bottom door
- Specify L or R door hinging
- Comes with three full depth adjustable shelves in upper section and one full depth adjustable shelf in lower section
- Has one fixed shelf between the doors
- Bottom door is same height as a full height universal access kitchen base cabinet
- Bottom door will align with 32-1/2" high universal access base

**12" DEEP CABINETS**

HCLC1284X12 L or R  
HCLC1584X12 L or R  
HCLC1884X12 L or R  
HCLC2184X12 L or R

**18" DEEP CABINETS**

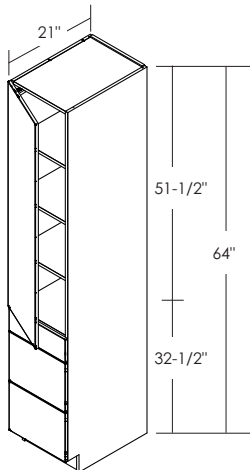
HCLC1284X18 L or R  
HCLC1584X18 L or R  
HCLC1884X18 L or R  
HCLC2184X18 L or R

**21" DEEP CABINETS**

HCLC1284X21 L or R  
HCLC1584X21 L or R  
HCLC1884X21 L or R  
HCLC2184X21 L or R

**24" DEEP CABINETS**

HCLC1284X24 L or R  
HCLC1584X24 L or R  
HCLC1884X24 L or R  
HCLC2184X24 L or R

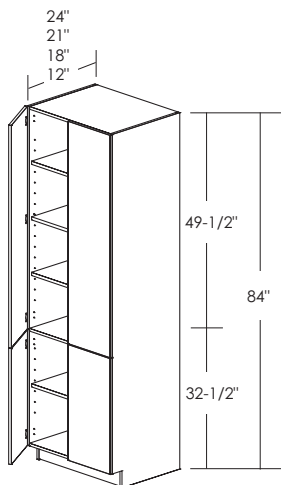


## UNIVERSAL ACCESS LINEN CABINET WITH DRAWERS

- Three hinges on upper door
- Specify L or R door hinging
- Comes with three full depth adjustable shelves in upper section
- HCDB-3 at bottom aligns with 32-1/2" high universal access base
- **21" Deep Cabinets**

HCLC3DB1584X21 L or R  
HCLC3DB1884X21 L or R

NEW



## UNIVERSAL ACCESS LINEN CABINET WITH DOUBLE DOORS

- Three hinges per door on upper doors, two hinges per door on bottom doors
- Comes with three full depth adjustable shelves in upper section and one full depth adjustable shelf in lower section
- Has one fixed shelf between the doors
- Two doors on top and bottom sections
- Bottom doors are same height as a full height universal access kitchen base cabinet
- Bottom doors will align with 32-1/2" high universal access base

**12" DEEP CABINETS**

HCLC2484X12  
HCLC2784X12  
HCLC3084X12  
HCLC3384X12  
HCLC3684X12

**18" DEEP CABINETS**

HCLC2484X18  
HCLC2784X18  
HCLC3084X18  
HCLC3384X18  
HCLC3684X18

**21" DEEP CABINETS**

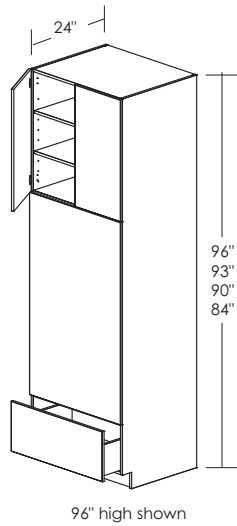
HCLC2484X21  
HCLC2784X21  
HCLC3084X21  
HCLC3384X21  
HCLC3684X21

**24" DEEP CABINETS**

HCLC2484X24  
HCLC2784X24  
HCLC3084X24  
HCLC3384X24  
HCLC3684X24

## TALL CABINETRY

Toe Kick Height: 4".

**DOUBLE OVEN CABINET WITH SINGLE DRAWER**

- Two hinges per door on upper doors
- One drawer on bottom
- 96" high has two adjustable shelves. 84" and 90" high have one adjustable shelf.
- Fixed center bottom
- Refer to page G10 for cut out instructions

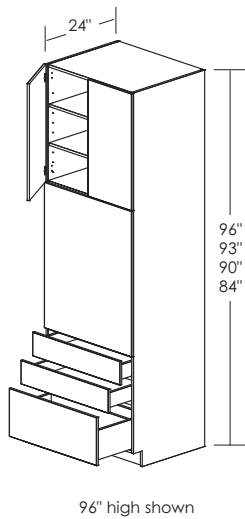
**24" DEEP CABINETS**

OVD2784X24  
OVD3084X24  
OVD3384X24

OVD2790X24  
OVD3090X24  
OVD3390X24

OVD2793X24  
OVD3093X24  
OVD3393X24

OVD2796X24  
OVD3096X24  
OVD3396X24

**SINGLE OVEN CABINET WITH THREE DRAWERS**

- Two hinges per door on upper doors
- Three drawers on bottom
- 96" high has two adjustable shelves. 84" and 90" high have one adjustable shelf.
- Fixed center bottom
- Refer to page G10 for cut out instructions

**24" DEEP CABINETS**

OVS2784X24  
OVS3084X24  
OVS3384X24

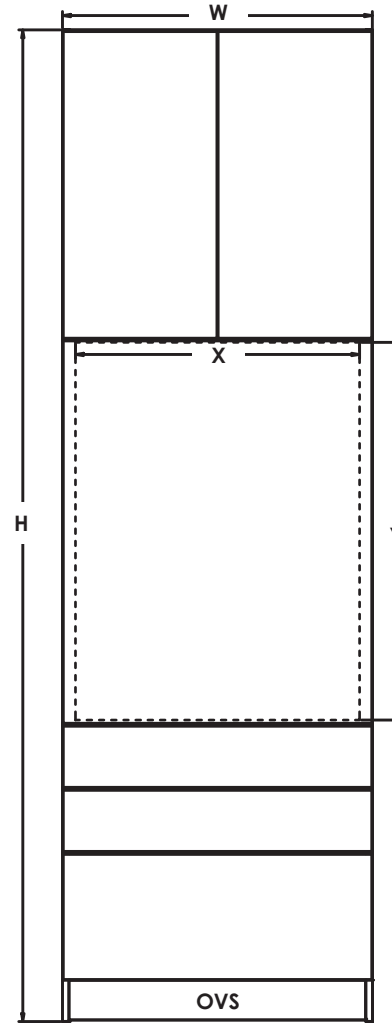
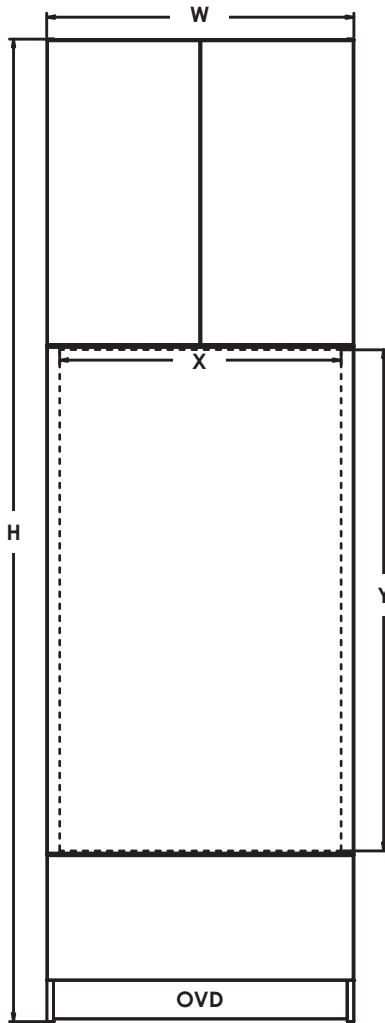
OVS2790X24  
OVS3090X24  
OVS3390X24

OVS2793X24  
OVS3093X24  
OVS3393X24

OVS2796X24  
OVS3096X24  
OVS3396X24

CUT OUT INSTRUCTIONS FOR OVEN CABINETS

Toe Kick Height: 4".



MODEL	W	H	MAXIMUM CUT OUT DIMENSIONS	
			X	Y
OVD2784	27"	84"	24.5"	49.0"
OVD2790	27"	90"	24.5"	49.0"
OVD2796	27"	96"	24.5"	49.0"
OVD3084	30"	84"	27.5"	49.0"
OVD3090	30"	90"	27.5"	49.0"
OVD3096	30"	96"	27.5"	49.0"
OVD3384	33"	84"	30.5"	49.0"
OVD3390	33"	90"	30.5"	49.0"
OVD3396	33"	96"	30.5"	49.0"

MODEL	W	H	MAXIMUM CUT OUT DIMENSIONS	
			X	Y
OVS2784	27"	84"	24.5"	36.5"
OVS2790	27"	90"	24.5"	36.5"
OVS2796	27"	96"	24.5"	36.5"
OVS3084	30"	84"	27.5"	36.5"
OVS3090	30"	90"	27.5"	36.5"
OVS3096	30"	96"	27.5"	36.5"
OVS3384	33"	84"	30.5"	36.5"
OVS3390	33"	90"	30.5"	36.5"
OVS3396	33"	96"	30.5"	36.5"

# EURO ACCESSORIES

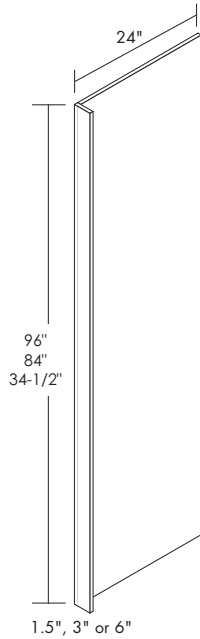
---





EURO ACCESSORIES

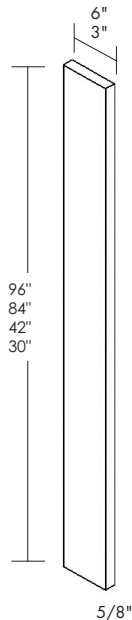
NEW



RETURN PANELS

- Filler finished on front face and on two long edges
- End panel finished on both faces with exterior color
- Vertical grain only
- \* Melamine fillers are for use with Lucerne and Lugano finishes only
- + Solid accessories are for use with stained and painted door styles only
- For plywood end panels, order with Ply designation
- LPW Fillers are Laminated Plywood Fillers

	5/8" Return w/ 5/8" Laminated Filler	5/8" Return w/ 5/8" Melamine Filler*	5/8" Return w/ 3/4" Solid Filler+	Actual Size
Base 3" Front DW End Panel	BRP3L BRP3LPW-PLY	BRP3M BRP3M-PLY	BRP3S BRP3S-PLY	3"W x 34-1/2"H x 24"D
Base 6" Front DW End Panel	BRP6L BRP6LPW-PLY	BRP6M BRP6M-PLY	BRP6S BRP6S-PLY	6"W x 34-1/2"H x 24"D
84" Tall Base Depth 3" Front	TRP384L TRP384LPW-PLY	TRP384M TRP384M-PLY	TRP384S TRP384S-PLY	3"W x 84"H x 24"D
96" Tall Base Depth 3" Front	TRP396L TRP396LPW-PLY	TRP396M TRP396M-PLY	TRP396S TRP396S-PLY	3"W x 96"H x 24"D
Base 1.5" Front DW End Panel			BRP1.5S BRP1.5S-PLY	1.5"W x 34-1/2"H x 24"D
84" Tall Base Depth 1.5" Front			TRP1.584S TRP1.584S-PLY	1.5"W x 84"H x 24"D
96" Tall Base Depth 1.5" Front			TRP1.596S TRP1.596S-PLY	1.5"W x 96"H x 24"D



FILLERS

- 30" and 42" high fillers are edgebanded on the top and bottom edges
- Vertical grain only
- LPW fillers are laminated plywood fillers
- ▲ Banded fillers are edgebanded on both long edges. 30" and 42" high are edgebanded on all four edges
- \* Melamine fillers are for use with Lucerne and Lugano finishes only
- + Solid accessories are for use with stained and painted door styles only

	5/8" Laminated	5/8" Laminated Banded Fillers	5/8" Laminated Plywood	5/8" Laminated Plywood Banded Fillers	5/8" Melamine*	3/4" Solid+	Actual Size
30" High	F330L	F330L-BANDED	F330LPW	F330LPW-BANDED	F330M	F330S	3"W x 30"H
	F630L	F630L-BANDED	F630LPW	F630LPW-BANDED	F630M	F630S	6"W x 30"H
42" High	F342L	F342L-BANDED	F342LPW	F342LPW-BANDED	F342M	F342S	3"W x 42"H
	F642L	F642L-BANDED	F642LPW	F642LPW-BANDED	F642M	F642S	6"W x 42"H
84" High	F384L	F384L-BANDED	F384LPW	F384LPW-BANDED	F384M	F384S	3"W x 84"H
	F684L	F684L-BANDED	F684LPW	F684LPW-BANDED	F684M	F684S	6"W x 84"H
96" High	F396L	F396L-BANDED	F396LPW	F396LPW-BANDED	F396M	F396S	3"W x 96"H
	F696L	F696L-BANDED	F696LPW	F696LPW-BANDED	F696M	F696S	6"W x 96"H
Range Front	F4.530L				F4.530M	F4.530S	4-1/2"W x 30"H
	F430L				F430M	F430S	4"W x 30"H
Base Height	F330.5L	F330.5L-BANDED	F330.5LPW	F330.5LPW-BANDED	F330.5M	F330.5S	3"W x 30-1/2"H
	F630.5L	F630.5L-BANDED	F630.5LPW	F630.5LPW-BANDED	F630.5M	F630.5S	6"W x 30-1/2"H



## EURO ACCESSORIES

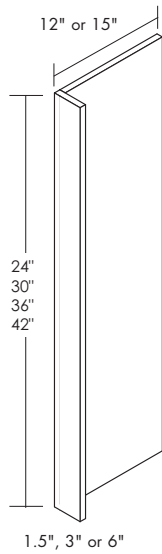


## OVERLAY FRONTS

- Overlays are shipped loose for field installation
- Filler or Return Panel must be ordered separately
- Overlays are finished on all sides
- Grain direction matches door grain direction
- OFT's will ship as two pieces when a horizontal grain is required
- Overlay fronts are slab styling and made from door material
- Overlays have an outside profile that matches the selected door style

Item	Size	
	Width	Height
OFT384	2-7/8"	83-13/16"
OFT390	2-7/8"	89-13/16"
OFT393	2-7/8"	92-13/16"
OFT396	2-7/8"	95-13/16"
OFT684	5-7/8"	83-13/16"
OFT690	5-7/8"	89-13/16"
OFT693	5-7/8"	92-13/16"
OFT696	5-7/8"	95-13/16"
OFB334.5	2-7/8"	34-5/16"
OFB332.5	2-7/8"	32-5/16"
OFB331.5	2-7/8"	31-5/16"
OFB330.5	2-7/8"	30-5/16"
OFB328.5	2-7/8"	28-5/16"
OFB327.5	2-7/8"	27-5/16"
OFB324.5	2-7/8"	24-5/16"
OFB634.5	5-7/8"	34-5/16"
OFB632.5	5-7/8"	32-5/16"
OFB631.5	5-7/8"	31-5/16"
OFB630.5	5-7/8"	30-5/16"
OFB628.5	5-7/8"	28-5/16"
OFB627.5	5-7/8"	27-5/16"
OFB624.5	5-7/8"	24-5/16"
OFW312	2-7/8"	11-13/16"
OFW315	2-7/8"	14-13/16"
OFW318	2-7/8"	17-13/16"
OFW321	2-7/8"	20-13/16"
OFW324	2-7/8"	23-13/16"
OFW327	2-7/8"	26-13/16"
OFW330	2-7/8"	29-13/16"
OFW333	2-7/8"	32-13/16"
OFW336	2-7/8"	35-13/16"
OFW339	2-7/8"	38-13/16"
OFW342	2-7/8"	41-13/16"
OFW612	5-7/8"	11-13/16"
OFW615	5-7/8"	14-13/16"
OFW618	5-7/8"	17-13/16"
OFW621	5-7/8"	20-13/16"
OFW624	5-7/8"	23-13/16"
OFW627	5-7/8"	26-13/16"
OFW630	5-7/8"	29-13/16"
OFW633	5-7/8"	32-13/16"
OFW636	5-7/8"	35-13/16"
OFW639	5-7/8"	38-13/16"
OFW642	5-7/8"	41-13/16"
OFR30	4-3/8"	29-13/16"

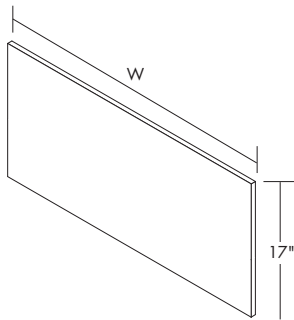
EURO ACCESSORIES



WALL RETURN PANELS

- Fillers finished on front face and on all edges
- End panel finished on both faces, edgebanded on top and bottom edge
- Vertical grain only
- For plywood returns order with PLY designation
- \* Melamine items are for use with Lucerne and Lugano finishes only
- † Solid accessories are for use with stained and painted door styles only

5/8" Laminated Filler	5/8" Return with 5/8" Melamine Filler*	5/8" Return with 3/4" Solid Filler	<b>NEW</b> 5/8" Laminated Plywood Filler	<b>NEW</b> 5/8" Plywood Return with 5/8 Melamine Filler	<b>NEW</b> 5/8" Plywood Return with 3/4" Solid Filler	Actual Size
WRP324L-12D	WRP324M-12D	WRP324S-12D	WRP324LPW-12D-PLY	WRP324M-12D-PLY	WRP324S-12D-PLY	3"Wx24"Hx12"D
WRP330L-12D	WRP330M-12D	WRP330S-12D	WRP330LPW-12D-PLY	WRP330M-12D-PLY	WRP330S-12D-PLY	3"Wx30"Hx12"D
WRP336L-12D	WRP336M-12D	WRP336S-12D	WRP336LPW-12D-PLY	WRP336M-12D-PLY	WRP336S-12D-PLY	3"Wx36"Hx12"D
WRP342L-12D	WRP342M-12D	WRP342S-12D	WRP342LPW-12D-PLY	WRP342M-12D-PLY	WRP342S-12D-PLY	3"Wx42"Hx12"D
WRP624L-12D	WRP624M-12D	WRP624S-12D	WRP624LPW-12D-PLY	WRP624M-12D-PLY	WRP624S-12D-PLY	6"Wx24"Hx12"D
WRP630L-12D	WRP630M-12D	WRP630S-12D	WRP630LPW-12D-PLY	WRP630M-12D-PLY	WRP630S-12D-PLY	6"Wx30"Hx12"D
WRP636L-12D	WRP636M-12D	WRP636S-12D	WRP636LPW-12D-PLY	WRP636M-12D-PLY	WRP636S-12D-PLY	6"Wx36"Hx12"D
WRP642L-12D	WRP642M-12D	WRP642S-12D	WRP642LPW-12D-PLY	WRP642M-12D-PLY	WRP642S-12D-PLY	6"Wx42"Hx12"D
WRP324L-15D	WRP324M-15D	WRP324S-15D	WRP324LPW-15D-PLY	WRP324M-15D-PLY	WRP324S-15D-PLY	3"Wx24"Hx15"D
WRP330L-15D	WRP330M-15D	WRP330S-15D	WRP330LPW-15D-PLY	WRP330M-15D-PLY	WRP330S-15D-PLY	3"Wx30"Hx15"D
WRP336L-15D	WRP336M-15D	WRP336S-15D	WRP336LPW-15D-PLY	WRP336M-15D-PLY	WRP336S-15D-PLY	3"Wx36"Hx15"D
WRP342L-15D	WRP342M-15D	WRP342S-15D	WRP342LPW-15D-PLY	WRP342M-15D-PLY	WRP342S-15D-PLY	3"Wx42"Hx15"D
WRP624L-15D	WRP624M-15D	WRP624S-15D	WRP624LPW-15D-PLY	WRP624M-15D-PLY	WRP624S-15D-PLY	6"Wx24"Hx15"D
WRP630L-15D	WRP630M-15D	WRP630S-15D	WRP630LPW-15D-PLY	WRP630M-15D-PLY	WRP630S-15D-PLY	6"Wx30"Hx15"D
WRP636L-15D	WRP636M-15D	WRP636S-15D	WRP636LPW-15D-PLY	WRP636M-15D-PLY	WRP636S-15D-PLY	6"Wx36"Hx15"D
WRP642L-15D	WRP642M-15D	WRP642S-15D	WRP642LPW-15D-PLY	WRP642M-15D-PLY	WRP642S-15D-PLY	6"Wx42"Hx 5"D
		WRP1.524S-12D				1.5"Wx24"Hx12"D
		WRP1.530S-12D				1.5"Wx30"Hx12"D
		WRP1.536S-12D				1.5"Wx36"Hx12"D
		WRP1.542S-12D				1.5"Wx42"Hx12"D
		WRP1.524S-15D				1.5"Wx24"Hx15"D
		WRP1.530S-15D				1.5"Wx30"Hx15"D
		WRP1.536S-15D				1.5"Wx36"Hx15"D
		WRP1.542S-15D				1.5"Wx42"Hx15"D

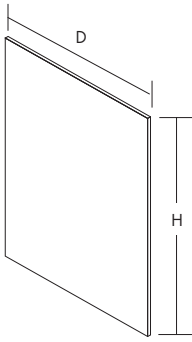


BAFFLES

- Replacement Baffles for UFAS cabinets
- Finished on two faces and all four edges
- Horizontal grain only
- 5/8" thick composite panel or Plywood.
- For plywood order with PLY designation

Composite	Plywood	Width	Height
BAUF30	BAUF30-PLY	29-7/8"	17"
BAUF33	BAUF33-PLY	32-7/8"	17"
BAUF36	BAUF36-PLY	35-7/8"	17"
BAUF39	BAUF39-PLY	38-7/8"	17"
BAUF42	BAUF42-PLY	41-7/8"	17"
BAUF45	BAUF45-PLY	44-7/8"	17"
BAUF48	BAUF48-PLY	47-7/8"	17"

## EURO ACCESSORIES

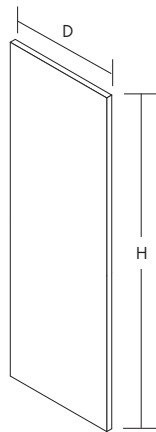


## END PANEL BASE

- Finished on two faces and one long edge
- Vertical grain only
- 5/8" thick composite panel or plywood
- For plywood order with PLY designation

**NEW**

Composite	Plywood	H	D
EPB3	EPB3-PLY	34-1/2"	3"
EPB6	EPB6-PLY	34-1/2"	6"
EPB18	EPB18-PLY	34-1/2"	18"
EPB21	EPB21-PLY	34-1/2"	21"
EPB24	EPB24-PLY	34-1/2"	24"

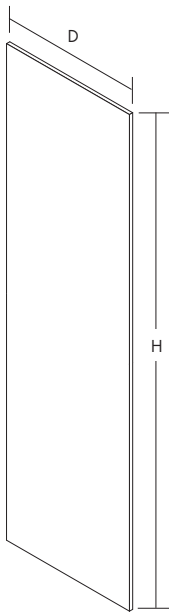


## END PANEL WALL

- Finished on two faces, top and bottom edges and one long edge
- Vertical grain only
- 5/8" thick composite panel or plywood
- For plywood order with PLY designation

**NEW**

Composite	Plywood	H	D
EPW1224	EPW1224-PLY	24"	12"
EPW1230	EPW1230-PLY	30"	12"
EPW1236	EPW1236-PLY	36"	12"
EPW1242	EPW1242-PLY	42"	12"
EPW1524	EPW1524-PLY	24"	15"
EPW1530	EPW1530-PLY	30"	15"
EPW1536	EPW1536-PLY	36"	15"
EPW1542	EPW1542-PLY	42"	15"



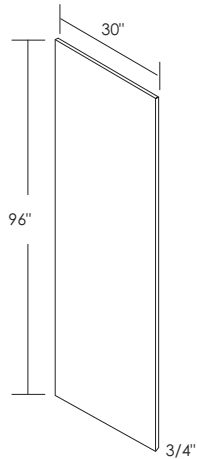
## END PANEL TALL

- Finished on two faces and one long edge
- Vertical grain only
- 5/8" thick composite panel or plywood
- For plywood order with PLY designation

**NEW**

Composite	Plywood	H	D
EPT96	EPT96-PLY	96"	24"
EPT93	EPT93-PLY	93"	24"
EPT90	EPT90-PLY	90"	24"
EPT84	EPT84-PLY	84"	24"
EPT3396	EPT3396-PLY	96"	33"

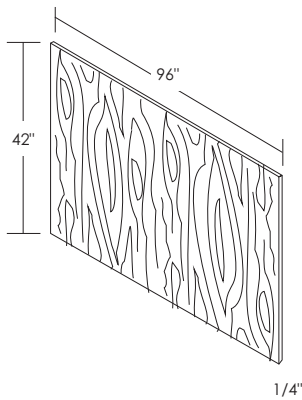
## EURO ACCESSORIES



### UNIVERSAL REFRIGERATOR END PANEL

- Available in maple veneer
- Trimmable height and depth
- Finished on both sides and edge banded on both long edges
- L-Laminate on 3/4" thick composite panel
- V-Stained veneer on 3/4" thick plywood panel

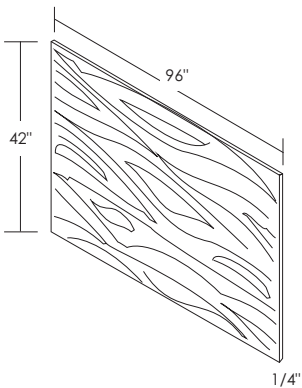
UREP30L  
UREP30V-PLY



### SHORT GRAIN PLYWOOD PANEL

- Available in maple veneer (short grained)
- 1/4" thick
- Not available with painted finishes

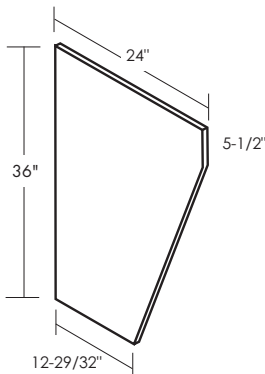
PLYS42x96



### LONG GRAIN PLYWOOD PANEL

- Available in maple veneer (long grained)
- 1/4" thick

PLYL42x96



### DESK END PANEL

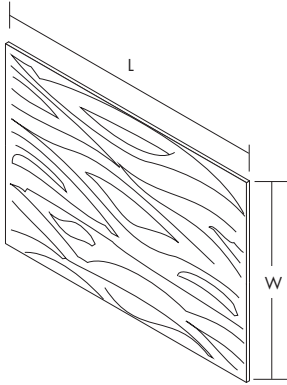
- Laminated finish on two faces
- Edgebanded on front edge
- Vertical grain only
- 5/8" thick composite panel or plywood
- For plywood order with PLY designation

DEP  
DEP-PLY **NEW**

## EURO ACCESSORIES

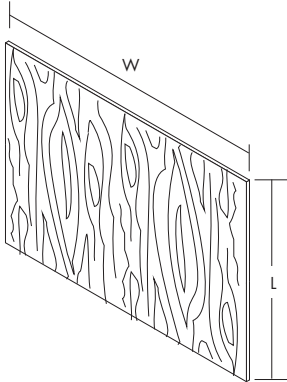
### ISLAND BACK PANELS

- Laminated paper finish on both sides and edgebanding on all 4 edges
- Width = Across Grain
- Length = Along Grain
- 5/8" thick composite panel or plywood
- For plywood order with PLY designation



#### HORIZONTAL GRAIN

Composite Panel	<b>NEW</b>	W	L
	Plywood		
IBP34.5-54	IBP34.5-54-PLY	34-1/2"	54"
IBP34.5-42	IBP34.5-42-PLY	34-1/2"	42"

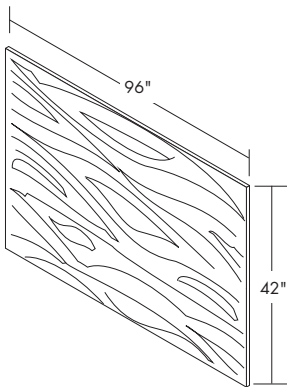


#### VERTICAL GRAIN

Composite Panel	<b>NEW</b>	W	L
	Plywood		
IBP30-34.5	IBP30-34.5-PLY	30"	34-1/2"
IBP33-34.5	IBP33-34.5-PLY	33"	34-1/2"
IBP36-34.5	IBP36-34.5-PLY	36"	34-1/2"
IBP39-34.5	IBP39-34.5-PLY	39"	34-1/2"
IBP42-34.5	IBP42-34.5-PLY	42"	34-1/2"
IBP45-34.5	IBP45-34.5-PLY	45"	34-1/2"

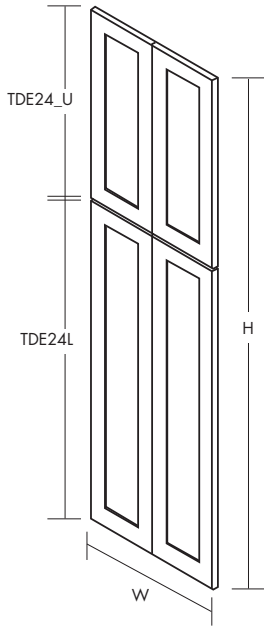
### UNIVERSAL BACK PANEL

- 5/8" particle board or plywood with paper laminate on two sides
- No edgebanding
- Only available in horizontal graining
- For plywood order with PLY designation



UBP42X96  
UBP42X96-PLY **NEW**

**EURO ACCESSORIES**

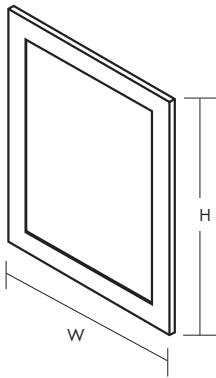


**TALL DECORATIVE END PANELS**



- ⚠️ **TDE24\_U and TDE24L must be ordered together**
- TDE's are decorative doors for the sides of 24" deep pantry cabinets
- Shipped loose for field installation
- TDE24\_U has two cabinet doors used for decorative ends on the upper section of tall cabinets
- TDE24L has two cabinet doors used for decorative ends on the lower section of tall cabinets

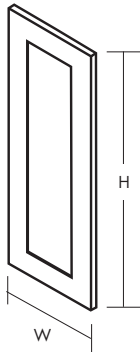
UPPER DOORS	W	H
TDE2496U	302mm	1061.8mm
TDE2493U	302mm	985.6mm
TDE2490U	302mm	909.4mm
TDE2484U	302mm	757mm
LOWER DOOR	W	H
TDE24L	302mm	1268.1mm



**BASE DECORATIVE END PANEL**

- BDE is a decorative door for the side of base cabinets
- Shipped loose for field installation

	W	H
BDE24	606.8mm	769.8mm
BDE21	530.6mm	769.8mm
HCBDE24	606.8mm	719mm
HCBDE21	530.6mm	719mm
VDE	530.6mm	693.6mm



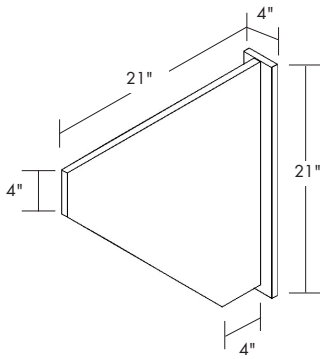
**WALL DECORATIVE END PANELS**

- WDE are decorative doors for the sides of wall cabinets
- Shipped loose for field installation

FOR 12" DEEP WALL CABINETS	W	H	FOR 12" DEEP STACKED WALL CABINETS	W	H
WDE42	302mm	1061.8mm	WDE54	302mm	1366.6mm
WDE39	302mm	985.6mm	WDE51	302mm	1290.4mm
WDE36	302mm	909.4mm	WDE48	302mm	1214.2mm
WDE30	302mm	757mm			
WDE24	302mm	604.6mm			

FOR 15" DEEP WALL CABINETS	W	H	FOR 15" DEEP STACKED WALL CABINETS	W	H
WDE42, AD15	378mm	1061.8mm	WDE54, AD21	378mm	1366.6mm
WDE39, AD15	378mm	985.6mm	WDE51, AD21	378mm	1290.4mm
WDE36, AD15	378mm	909.4mm	WDE48, AD21	378mm	1214.2mm
WDE30, AD15	378mm	757mm			
WDE24, AD15	302mm	604.6mm			

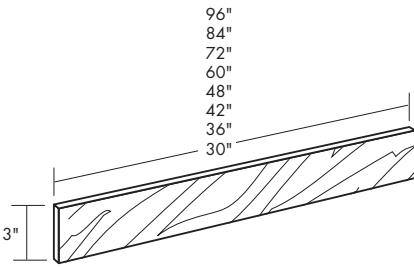
**EURO ACCESSORIES**



**ANGLE WALL SUPPORT**

- 5/8" thick laminate composite
- Edge banded on front edge

AWS

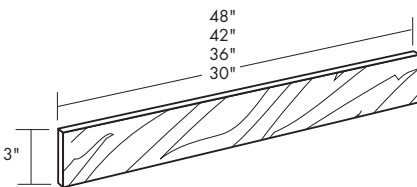


**SKIRTS**

- Finished on one face and one long edge
- Field trimmable
- 5/8" thick composite panel or plywood
- Horizontal long grain only
- LPW are laminated plywood skirts

		<b>NEW</b>	<b>NEW</b>	
	5/8" Laminated	5/8" Laminated Plywood	Solid	Actual Size
3" Wide Skirts	SKT30L	SKT30LPW-PLY	SKT30S	3"W x 30"L
	SKT36L	SKT36LPW-PLY	SKT36S	3"W x 36"L
	SKT42L	SKT42LPW-PLY	SKT42S	3"W x 42"L
	SKT48L	SKT48LPW-PLY	SKT48S	3"W x 48"L
	SKT60L	SKT60LPW-PLY	SKT60S	3"W x 60"L
	SKT72L	SKT72LPW-PLY	SKT72S	3"W x 72"L
	SKT84L	SKT84LPW-PLY	SKT84S	3"W x 84"L
	SKT96L	SKT96LPW-PLY	SKT96S	3"W x 96"L
6" Wide Skirts	SKT30X6L	SKT30X6LPW-PLY	SKT30X6S	6"W x 30"L
	SKT36X6L	SKT36X6LPW-PLY	SKT36X6S	6"W x 36"L
	SKT42X6L	SKT42X6LPW-PLY	SKT42X6S	6"W x 42"L
	SKT48X6L	SKT48X6LPW-PLY	SKT48X6S	6"W x 48"L
	SKT60X6L	SKT60X6LPW-PLY	SKT60X6S	6"W x 60"L
	SKT72X6L	SKT72X6LPW-PLY	SKT72X6S	6"W x 72"L
	SKT84X6L	SKT84X6LPW-PLY	SKT84X6S	6"W x 84"L
	SKT96X6L	SKT96X6LPW-PLY	SKT96X6S	6"W x 96"L

**VALANCE**



- Laminated finished on two faces and one long edge
- Solid Finished on 1 face and 2 long edges
- Field trimmable
- Horizontal long grain only

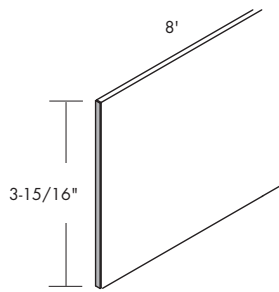
**5/8" LAMINATED**

STVAL30X3  
STVAL36X3  
STVAL42X3  
STVAL48X3

**3/4" SOLID**

STVAL30X3S  
STVAL36X3S  
STVAL42X3S  
STVAL48X3S  
STVAL96X3S

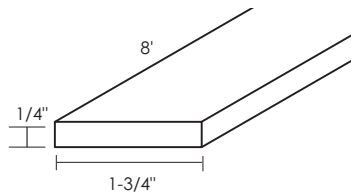
## EURO ACCESSORIES



### TOE KICK OVERLAY

- Color matching laminate on one side
- 8 ft. length
- 1/8" thick laminated particle board or laminated plywood

TK (3-15/16" x 96")  
TKPW (3-15/16" x 96") **NEW**

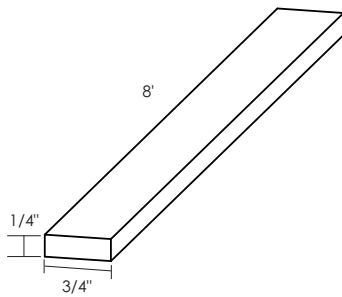


### BATTEN SCRIBE MOLDING

- Laminated, painted or stained to match cabinet exterior
- Sold in 8 ft. lengths

BAT175

**NEW**

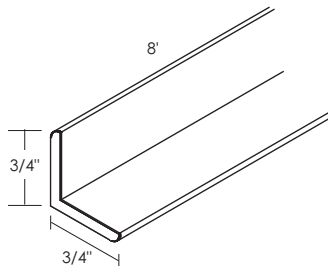


### FLAT SCRIBE MOLDING

- Laminated, painted or stained to match cabinet exterior
- Sold in 8 ft. lengths

SCM75

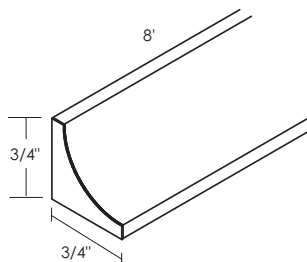
**NEW**



### OUTSIDE MOLDING

- Solid wood painted or stained to match cabinet exterior
- Sold in 8 ft. lengths

LOCM (1" x 1" x 8') – Large



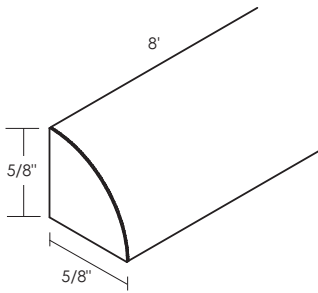
### INSIDE MOLDING

- Solid wood painted or stained to match cabinet exterior
- Sold in 8 ft. lengths

ICM



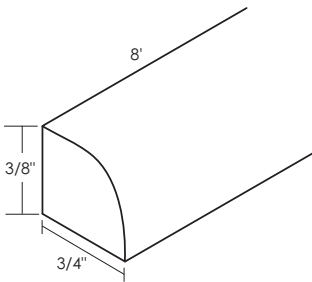
## EURO ACCESSORIES



### QUARTER ROUND

- Solid wood, painted or stained to match cabinet exterior
- Sold in 8 ft. lengths

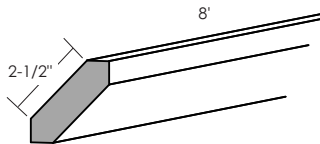
QR8 (5/8" x 5/8" x 8') – Large



### SHOE MOLDING

- Laminated, painted or stained to match cabinet exterior
- Sold in 8 ft. lengths

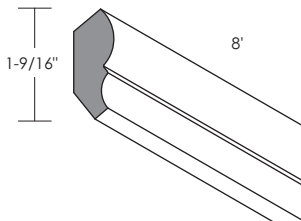
SHOEMS (3/4" x 3/8" x 8')



### SHAKER CROWN MOLDING

- Solid wood painted or stained to match cabinet exterior
- Sold in 8 ft. lengths

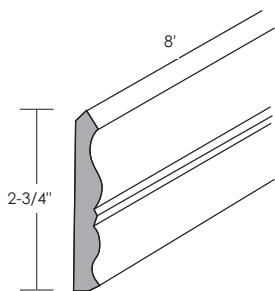
SHAKERM



### SMALL CROWN MOLDING

- Solid wood painted or stained to match cabinet exterior
- Sold in 8 ft. lengths

CROWNMS

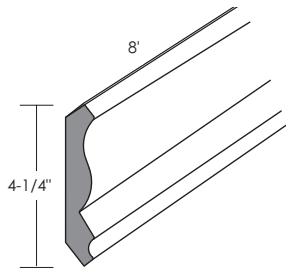


### LARGE CROWN MOLDING

- Laminated, painted or stained to match cabinet exterior
- Sold in 8 ft. lengths

CROWNML

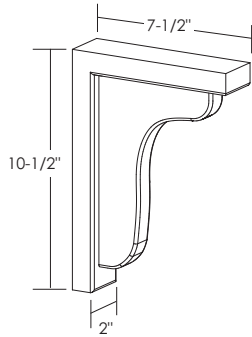
## EURO ACCESSORIES



### ROYAL CROWN MOLDING

- Solid wood painted or stained to match cabinet exterior
- Sold in 8 ft. lengths

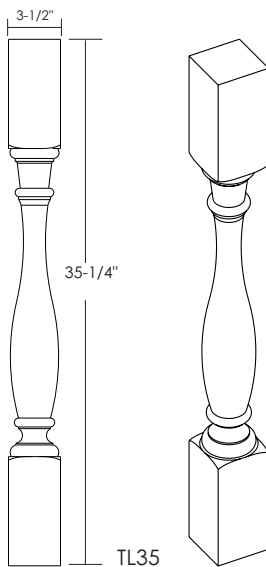
RCM



### COUNTER SUPPORT CORBEL

- Solid wood painted or stained to match cabinet exterior

CS

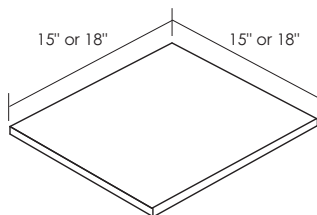
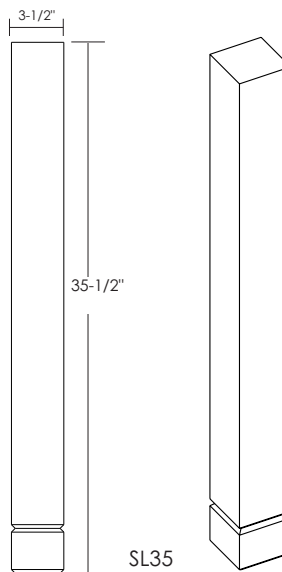


### DECORATIVE LEGS

- Solid wood
- Painted or stained

TL35 Turned Leg

SL35 Shaker Leg

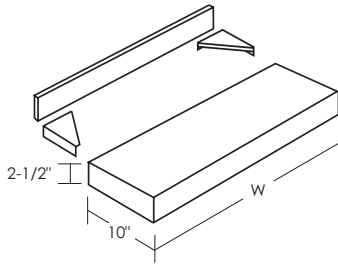


### FILLER WALL CAPS

- Finish is available in white
- Set of (2) 5/8" thick panels for use at the top and bottom of wall corners

FWC15  
FWC18

## EURO ACCESSORIES



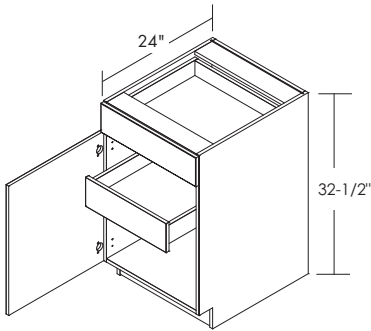
### FLOATING SHELVES

- Available in Maple
- All exterior sides are stained or painted
- Outer shelf constructed with solid wood front and sides with veneered top and bottom
- Not trimmable
- Must be secured to studs in wall
- Installation instruction, screws and mounting brackets included
- Shelf supports 15lbs per lineal foot of shelf

Item	W	Maximum Load	# Brackets Included
FS24X10	24"	30lbs	2
FS30X10	30"	37lbs	2
FS36X10	36"	45lbs	3
FS42X10	42"	52lbs	3

### ROLL OUT SHELF KIT

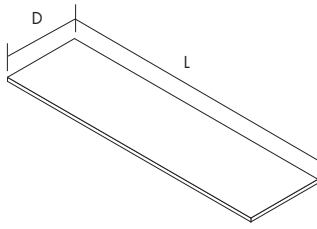
- Cabinet is ordered separately. Kit is installed in the field.
- Available with side mounted guides only



Shelf kit shown as installed above

<b>NEW</b>		
Particle Board Construction	Plywood Construction	For 21", 22" and 24" deep cabinets
ROS12	ROS12-PLY	Fits 12" and 24" cabinets
ROS15	ROS15-PLY	Fits 15" and 30" cabinets
ROS18	ROS18-PLY	Fits 18" and 36" cabinets
ROS21	ROS21-PLY	Fits 21" and 42" cabinets
ROS24	ROS24-PLY	Fits 24" and 48" cabinets
ROS27	ROS27-PLY	Fits 27" cabinets
ROS30	ROS30-PLY	Fits 30" cabinets
ROS33	ROS33-PLY	Fits 33" cabinets

## EURO ACCESSORIES



### ADJUSTABLE SHELVES

- Finished on two faces and one long edge
- 3/4" thick composite panel or plywood
- Refer to specific item nomenclature to order an interior or exterior finish
- For plywood order with PLY designation

### INTERIOR SHELVES

Shelves will be WHITE INTERIOR finish

3/4" thick Composite Panel	L	D	Thickness
SHA3421X12	19-7/16"	10-5/8"	3/4"
SHA3424X12	22-7/16"	10-5/8"	3/4"
SHA3427X12	25-7/16"	10-5/8"	3/4"
SHA3430X12	28-7/16"	10-5/8"	3/4"
SHA3433X12	31-7/16"	10-5/8"	3/4"
SHA3436X12	34-7/16"	10-5/8"	3/4"
SHA3421X24	19-7/16"	22-5/8"	3/4"
SHA3424X24	22-7/16"	22-5/8"	3/4"
SHA3427X24	25-7/16"	22-5/8"	3/4"
SHA3430X24	28-7/16"	22-5/8"	3/4"
SHA3433X24	31-7/16"	22-5/8"	3/4"
SHA3436X24	34-7/16"	22-5/8"	3/4"

### NEW

3/4" thick Plywood	L	D	Thickness
SHA3421X12-PLY	19-7/16"	10-5/8"	3/4"
SHA3424X12-PLY	22-7/16"	10-5/8"	3/4"
SHA3427X12-PLY	25-7/16"	10-5/8"	3/4"
SHA3430X12-PLY	28-7/16"	10-5/8"	3/4"
SHA3433X12-PLY	31-7/16"	10-5/8"	3/4"
SHA3436X12-PLY	34-7/16"	10-5/8"	3/4"
SHA3421X24-PLY	19-7/16"	22-5/8"	3/4"
SHA3424X24-PLY	22-7/16"	22-5/8"	3/4"
SHA3427X24-PLY	25-7/16"	22-5/8"	3/4"
SHA3430X24-PLY	28-7/16"	22-5/8"	3/4"
SHA3433X24-PLY	31-7/16"	22-5/8"	3/4"
SHA3436X24-PLY	34-7/16"	22-5/8"	3/4"

### EXTERIOR SHELVES

Shelves will be EXTERIOR finish per the global selection

3/4" thick Composite Panel	L	D	Thickness
SHBA3412X12	10-7/16"	10-5/8"	3/4"
SHBA3415X12	13-7/16"	10-5/8"	3/4"
SHBA3418X12	16-7/16"	10-5/8"	3/4"
SHBA3421X12	19-7/16"	10-5/8"	3/4"
SHBA3424X12	22-7/16"	10-5/8"	3/4"
SHBA3427X12	25-7/16"	10-5/8"	3/4"
SHBA3430X12	28-7/16"	10-5/8"	3/4"
SHBA3433X12	31-7/16"	10-5/8"	3/4"
SHBA3436X12	34-7/16"	10-5/8"	3/4"
SHBA3412X18	10-7/16"	16-5/8"	3/4"
SHBA3415X18	13-7/16"	16-5/8"	3/4"
SHBA3418X18	16-7/16"	16-5/8"	3/4"
SHBA3421X18	19-7/16"	16-5/8"	3/4"
SHBA3424X18	22-7/16"	16-5/8"	3/4"
SHBA3427X18	25-7/16"	16-5/8"	3/4"
SHBA3430X18	28-7/16"	16-5/8"	3/4"
SHBA3433X18	31-7/16"	16-5/8"	3/4"
SHBA3436X18	34-7/16"	16-5/8"	3/4"
SHBA3412X21	10-7/16"	19-5/8"	3/4"
SHBA3415X21	13-7/16"	19-5/8"	3/4"
SHBA3418X21	16-7/16"	19-5/8"	3/4"
SHBA3421X21	19-7/16"	19-5/8"	3/4"
SHBA3424X21	22-7/16"	19-5/8"	3/4"
SHBA3427X21	25-7/16"	19-5/8"	3/4"
SHBA3430X21	28-7/16"	19-5/8"	3/4"
SHBA3433X21	31-7/16"	19-5/8"	3/4"
SHBA3436X21	34-7/16"	19-5/8"	3/4"
SHBA3412X24	10-7/16"	22-5/8"	3/4"
SHBA3415X24	13-7/16"	22-5/8"	3/4"
SHBA3418X24	16-7/16"	22-5/8"	3/4"
SHBA3421X24	19-7/16"	22-5/8"	3/4"
SHBA3424X24	22-7/16"	22-5/8"	3/4"
SHBA3427X24	25-7/16"	22-5/8"	3/4"
SHBA3430X24	28-7/16"	22-5/8"	3/4"
SHBA3433X24	31-7/16"	22-5/8"	3/4"
SHBA3436X24	34-7/16"	22-5/8"	3/4"

### NEW

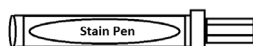
3/4" thick Plywood	L	D	Thickness
SHBA3412X12-PLY	10-7/16"	10-5/8"	3/4"
SHBA3415X12-PLY	13-7/16"	10-5/8"	3/4"
SHBA3418X12-PLY	16-7/16"	10-5/8"	3/4"
SHBA3421X12-PLY	19-7/16"	10-5/8"	3/4"
SHBA3424X12-PLY	22-7/16"	10-5/8"	3/4"
SHBA3427X12-PLY	25-7/16"	10-5/8"	3/4"
SHBA3430X12-PLY	28-7/16"	10-5/8"	3/4"
SHBA3433X12-PLY	31-7/16"	10-5/8"	3/4"
SHBA3436X12-PLY	34-7/16"	10-5/8"	3/4"
SHBA3412X18-PLY	10-7/16"	16-5/8"	3/4"
SHBA3415X18-PLY	13-7/16"	16-5/8"	3/4"
SHBA3418X18-PLY	16-7/16"	16-5/8"	3/4"
SHBA3421X18-PLY	19-7/16"	16-5/8"	3/4"
SHBA3424X18-PLY	22-7/16"	16-5/8"	3/4"
SHBA3427X18-PLY	25-7/16"	16-5/8"	3/4"
SHBA3430X18-PLY	28-7/16"	16-5/8"	3/4"
SHBA3433X18-PLY	31-7/16"	16-5/8"	3/4"
SHBA3436X18-PLY	34-7/16"	16-5/8"	3/4"
SHBA3412X21-PLY	10-7/16"	19-5/8"	3/4"
SHBA3415X21-PLY	13-7/16"	19-5/8"	3/4"
SHBA3418X21-PLY	16-7/16"	19-5/8"	3/4"
SHBA3421X21-PLY	19-7/16"	19-5/8"	3/4"
SHBA3424X21-PLY	22-7/16"	19-5/8"	3/4"
SHBA3427X21-PLY	25-7/16"	19-5/8"	3/4"
SHBA3430X21-PLY	28-7/16"	19-5/8"	3/4"
SHBA3433X21-PLY	31-7/16"	19-5/8"	3/4"
SHBA3436X21-PLY	34-7/16"	19-5/8"	3/4"
SHBA3412X24-PLY	10-7/16"	22-5/8"	3/4"
SHBA3415X24-PLY	13-7/16"	22-5/8"	3/4"
SHBA3418X24-PLY	16-7/16"	22-5/8"	3/4"
SHBA3421X24-PLY	19-7/16"	22-5/8"	3/4"
SHBA3424X24-PLY	22-7/16"	22-5/8"	3/4"
SHBA3427X24-PLY	25-7/16"	22-5/8"	3/4"
SHBA3430X24-PLY	28-7/16"	22-5/8"	3/4"
SHBA3433X24-PLY	31-7/16"	22-5/8"	3/4"
SHBA3436X24-PLY	34-7/16"	22-5/8"	3/4"

## EURO ACCESSORIES



## PUTTY STICKS

MAPLE	PAINT	RTF	TRU TOUCH	LAMINATE
PS-ASH MAPLE PS-CHESTNUT MAPLE PS-ESPRESSO MAPLE PS-HARVEST <b>NEW</b> PS-JAVA MAPLE PS-NATURAL MAPLE PS-OYSTER MAPLE <b>NEW</b> PS-SABLE <b>NEW</b>	PS-ARBOR GREY <b>NEW</b> PS-GRAPHITE PS-LINEN PS-MID GREY PS-MIDNIGHT NAVY PS-ONYX PS-SAGEBRUSH <b>NEW</b> PS-TRUWHITE	PS-ALABASTER PS-BARITONE PS-CHARCOAL LUX PS-COASTAL GREY PS-DRIFTWOOD PS-GRAPHITE PS-LIBRETTI PS-LINEA BLACK PS-LINEA WHITE PS-NAVY LUX PS-PEBBLE LUX PS-SAGE <b>NEW</b> PS-SANDY ALDER PS-STEEL GREY PS-URBAN WALNUT PS-VINTAGE GREY PS-WHITE SATIN PS-WOOD GRAIN WHITE	PS-CHESTNUT PS-GREY CASHMERE PS-HARMONY PS-OBSIDIAN ASH PS-TIMELESS PS-WHITE TUSK	PS-GLACIER <b>NEW</b> PS-LIGHT TEAK PS-MIDNIGHT ECHO PS-MIDNIGHT TEAK PS-MORNING FOG PS-NATURAL ELM PS-TEXAS CYPRESS PS-WEATHERED OAK



## STAIN PENS

MAPLE	PAINT	RTF	TRU TOUCH	LAMINATE
SP-ASH MAPLE SP-CHESTNUT MAPLE SP-ESPRESSO MAPLE SP-HARVEST <b>NEW</b> SP-JAVA MAPLE SP-NATURAL MAPLE SP-OYSTER MAPLE <b>NEW</b> SP-SABLE <b>NEW</b>	SP-ARBOR GREY <b>NEW</b> SP-GRAPHITE SP-LINEN SP-MID GREY SP-MIDNIGHT NAVY SP-ONYX PS-SAGEBRUSH <b>NEW</b> SP-TRUWHITE	SP-ALABASTER SP-BARITONE SP-CHARCOAL LUX SP-COASTAL GREY SP-DRIFTWOOD SP-GRAPHITE SP-LIBRETTI SP-LINEA BLACK SP-LINEA WHITE SP-NAVY LUX SP-PEBBLE LUX PS-SAGE <b>NEW</b> SP-SANDY ALDER SP-STEEL GREY SP-URBAN WALNUT SP-VINTAGE GREY SP-WHITE SATIN SP-WOOD GRAIN WHITE	SP-CHESTNUT SP-GREY CASHMERE SP-HARMONY SP-OBSIDIAN ASH SP-TIMELESS SP-WHITE TUSK	SP-GLACIER <b>NEW</b> SP-LIGHT TEAK SP-MIDNIGHT ECHO SP-MIDNIGHT TEAK SP-MORNING FOG SP-NATURAL ELM SP-TEXAS CYPRESS SP-WEATHERED OAK

# INDEX AND WARRANTY

---



## CABINET CARE GUIDE

---

A soft cotton cloth dampened with warm water is usually sufficient to clean your cabinets. If more thorough cleaning is required, use one of the following cleaning solutions:

- A mixture of dish washing liquid and warm water
- A mild all-purpose cleaner. **Make sure it does not contain ammonia, silicone, or acid.**

Using the mildest cleaning solution will successfully clean your cabinets. Stronger products may damage or discolor your cabinet finish and are not recommended. After cleaning, wipe all surfaces with a clean, damp cloth. Dry immediately, using another soft, clean cloth.

### SPILLS

Clean spills immediately. Prolonged exposure to spills, including food, water or other liquids, or grease spills can cause permanent discoloration or damage to your cabinet's finish.

### CLEANING PRODUCTS TO AVOID

- Harsh chemicals including ammonia and bleach
- Abrasive cleaning products such as tub and sink cleaners scouring powder, scouring pads, or steel wool
- Sponges or dish clothes. They may contain particles that could scratch your cabinets, or they may contain food and oil residue
- Solvent-based or petroleum-based products such as mineral spirits, nail-polish removers or paint thinners
- Silicone-based cleaning, waxing or polishing products

### REGULAR DUSTING

Use a clean, soft, lint-free cotton cloth for regular dusting. Packaged dusting sheets are not required or recommended. **Do not use pre-moistened dusting sheets or aerosol products specified for dusting.**

### WAXING AND POLISHING

Waxing is not required or recommended. Over time, waxing and polishing compounds may build up on the surface of your cabinets and cause a hazy, streaky or yellowed appearance.



## WARRANTY

---



Thank you for selecting Leedo Cabinetry. Leedo works hard to provide an excellent product at a very competitive price. We guarantee all Leedo products for a period of One (1) year from the date of the completion of project installation to be free of defects in materials and manufacturing. During this period we agree to replace, at not cost to the owner, any portion of our work that is found defective.

While Leedo guarantees all structural aspects of our products for a period of one year, the following exclusions do apply:

- Due to the naturally occurring variations in wood, we do not guarantee uniformity of color, tone or grain pattern; nor do we guarantee that stain or finish colors will be free of minor inconsistencies caused by natural variations in pigments and materials.
- Hairline cracks or visible joint separations are considered normal changes that can occur with wood products based on environmental conditions.
- Damage caused by normal wear and tear, abuse, neglect, misuse, alterations, water damage, or other environmental conditions such as exposure to extreme temperatures or humidity.
- Damage caused by exposure to excessive heat sources.
- Work done by others, including refinishing or removal of cabinets.
- Thermofoil cabinetry installed without protection from excessive heat sources. Heat shields and/or fillers and overlays should be used to protect cabinetry near appliances that emit heat.
- Touch-ups, door and drawer adjustments, or cosmetic work.
- Color changes that may occur due to natural aging of the wood or due to exposure to either natural or artificial light.
- Discoloration or dullness in the finish or wood stain that may occur after exposure to ultraviolet light.
- Small or hairline cracks on painted product that may become visible at connecting joints. Please refer to painted product disclosure.

Leedo Manufacturing will make the final determination on any warranty-related items. Should a defect in materials or workmanship occur, excluding those noted above, Leedo maintains the right to repair or replace the product at our discretion.

Leedo works hard to provide an excellent product at a very competitive price. We select the best cabinet material suitable for the manufacturing of a finished cabinet that meets our customers needs and KCMA testing. Our machining, assembly, and finishing procedures operate together to provide the highest quality of performance and appearance that our customers require to match the demanding lifestyle of their end users. Our finishing materials and application methods are consistently tested / inspected for quality and consistency using the latest technology.

Wood of all species is hygroscopic, meaning that it is subject to the humidity and temperature of its environment. It will lose or gain moisture and consequently shrink or swell depending on the environment. Even protective coatings cannot prevent this movement; they merely impede the process.

## **Painted Finishes**

When the final product is painted, the solid colored paints and glazes mask the joint on assembled wood components. Due to the naturally occurring variations in wood that are beyond Leedo's control, we do not guarantee that the connecting joints will remain hidden by the paint. The wood components shrink or swell accordingly, sometimes resulting in the joints becoming visible in the form of small hairline cracks where the components are fitted during the assembly process. This is a natural occurrence that can be minimized by maintaining a stable environment. The strength and integrity of the door is not compromised by these hairline cracks. Because this is a natural occurrence, Leedo cannot accept responsibility for the inherent properties of wood and wood products, specifically hairline cracks that occur when environmental changes occur.

## **Wood Products**

All wood products can be impacted by climate changes in humidity and dryness that may cause doors, drawers, or face frames to swell, shrink or warp over a very short period of time. Customers are responsible to store delivered products appropriately. Cabinets should not be stored in areas that are exposed to open air, moist environments, prolonged heat/dryness, chemicals or paint fumes. Leedo is not responsible or liable for products that shrink or swell after customer acceptance by customer.

## **Wood Panel Patch Disclosure**

Leedo works diligently to provide quality materials for all products. Due to challenging supply chains and availability of materials, Leedo may find it necessary to substitute or replace products over time. Visible holes in wooden products is considered a natural variability of wood and not considered a product defect. Plywood panels with oval patches to conceal holes or knots may be used on cabinetry. These patches will not normally be visible once the cabinetry is installed.

## **Decorative Hardware Application**

Customers are responsible for the careful installation of decorative hardware. Caution should be taken when drilling for hardware to avoid areas with visible joints or wood imperfections that may cause the wood or substrate to split.

# INDEX

SKU	ITEM	FRAMED PAGE #	EURO PAGE#	SKU	ITEM	FRAMED PAGE #	EURO PAGE#
ACB	Accessible Base Cabinets ..... B13		-	BWR	Base Wine Rack.....	-	F3
ACSB	Accessible Sink Base Cabinets ..... B13		F12	BWSC24	Base Wine Rack.....	-	F3
AWS	Angle Wall Support.....	-	H8	BW_LD	Wall Blind with Long Doors Cabinet		E11
B	Base Cabinets.....	B1	F1	CROWN	Crown Molding .....	D11	H10
B_BD	Base Butt Door Cabinets.....	B1	-	CS	Counter Support Corbel.....	D4	H11
B_BDFH	Base Full Height Butt Door Cabinets .....	B2	-	CSB	Combo Sink Base.....	-	F10
B_BDROS	Base Butt Door with Roll Out Shelves Cabinets .....	B8	-	CVB	Vanity Combo Three Door Sink Base Cabinets .....	B38	-
B_FH	Base Full Height Door .....	B2	F2	CVB_BD	Vanity Combo Four Door Sink Base Cabinets .....	B38	-
B_FHWB	Base Full Height Door Wastebasket Pull Out Cabinets .....	B4	F4	CVB_BDH	34-1/2" High Vanity Combo Four Door Sink Base Cabinets .....	B38	-
B_RB	Base Cabinets with Removable Bottoms.....	-	F11	CVB_H	34-1/2" High Vanity Combo Three Door Sink Base Cabinets .....	B38	-
B_ROS	Base with Roll Out Shelves.....	B7	F7	CVDB	Vanity Combo Single Door with Two Drawers.....	B39	-
B_ROW	Roll Out Work Surface Base....	-	F4	CVDB_BD	Vanity Combo Butt Door Sink with Six Drawers.....	B42	-
B_WB	Base Wastebasket Pull Out Cabinets .....	B4	-	CVDB_BD	Vanity Combo Butt Door with Two Drawers.....	B39	-
B_WRL	Base Lattice Wine Rack.....	B3	-	CVDB_BDH	Vanity Combo Butt Door with Three Drawers .....	B39	-
BAT175	Batten Scribe Molding .....	D10	H9	CVDB_H	Vanity Combo Single Door with Three Drawer Base Cabinets.....	B39	-
BAUF	Baffles.....	-	H3	CVDSDB	Vanity Combo Double Sink Base with Three Center Drawers.....	B42	-
BB	Base Blind Cabinets.....	B6	F5	CVDSDB_H	34-1/2" High Vanity Combo Double Sink Base with Three Center Drawers.....	B42	-
BB_FH	Base Blind Full Height Door Cabinets .....	B6	F5	CV4DB_BD	Vanity Combo Butt Door Sink with Eight Drawers.....	B42	-
BBS	Base Bookshelf .....	B3	F2	CVDB_BDH	34-1/2" High Vanity Combo Butt Door Sink with Eight Drawers.....	B42	-
BDE	Base Decorative End Panel ...	D6	H7	CVSB	Vanity Combo Double Door Sink Base Cabinets.....	B38	F29
BER	Base Easy Reach Cabinets ....	B5	F6	CVSB_H	34-1/2" High Vanity Combo Double Door Sink Base Cabinets .....	B38	F29
BLS	Base Lazy Susan Cabinets .....	B5	F6	CVSDB	Vanity Combo Double Door Sink with Three or Four Drawer Base Cabinets .....	B41	-
BMC	Base Microwave .....	B9	-	CVSDB_FH	Full Height Vanity Combo Double Door Sink with Three or Four Drawers .....	B40	F29
BMR	Base Mud Room Cabinets .....	B48	-	CVSDB_H	Vanity Combo Double Door Sink with Four Drawer Base Cabinets.....	B41	-
BMRO	Base Mud Room Open Cabinets .....	B48	F36				
BMRO-DIV	Base Mud Room Open Cabinets with Dividers.....	B48	F36				
BOC	Base Oven Cabinet.....	-	F8				
BOD	Base Oven Cabinet with Drawer .....	-	F8				
BOV	Base Oven Cabinet.....	B9	-				
BRP	Base Return Panels .....	D2	H1				
BW	Wall Blind Cabinets.....	A9	E6				
BW_RC	Wall Blind with Recessed Bottom Cabinets.....	A15	E9				

# INDEX

SKU	ITEM	FRAMED PAGE #	EURO PAGE#	SKU	ITEM	FRAMED PAGE #	EURO PAGE#
CVSDB_BDH	Vanity Combo Butt Door Sink with Four Drawer Base Cabinets..... B40	B40	-	F	Fillers .....	D4	H1
CVSDB_HFH	34-1/2" High Vanity Full Height Combo Double Door Sink Three Drawer Base Cabinets..... B40	B40	F29	F-BANDED	Banded Fillers .....	D4	H1
CVS4DB	Combo Vanity Double Sink with Four Drawers .....	B41	-	FLOOR	Floors .....	D8	
CVS4DB_FH	Full Height Vanity Combo Double Door Sink with Four Drawer Base Cabinets..... B40	B40	-	FWC	Filler Wall Caps.....	-	H11
CW	Wall Corner Cabinets.....	A8	E5	FS	Floating Shelves .....	D12	H12
CW_RC	Wall Corner with Recessed Bottom Cabinets.....	A15	-				
DB	Drawer Base Cabinets .....	B3	F3	HCACB	Universal Access Accessible Base .....	B31	-
DBPP	Pots and Pans Drawer.....	-	F3	HCACSB	Universal Access Accessible Sink Base .....	B31	F24
DBR	Drawer Base Range .....	B9	-	HCB	Universal Access Base Cabinets .....	B16	F14
DEP	Desk End Panel .....	D5	H5	HCBD	Universal Access Base Butt Door Cabinets.....	B16	-
DKB	Desk Base Cabinets.....	B45	F33	HCBD_FH	Universal Access Base Full Height Butt Door Cabinets .....	B17	-
DKB_BD	Desk Butt Door Base Cabinets .....	B45	-	HCBDROS	Universal Access Butt Door Base with Roll Out Shelves Cabinets .....	B23	-
DKB_FH	Desk Full Height Door Base Cabinets .....	B46	F34	HCBD_FH	Universal Access Base Full Height Door Cabinets.....	B17	F15
DKBBS	Desk Base Bookshelf .....	B47	F35	HCBD_FHWB	Universal Access Base Full Height Door Wastebasket Pull Out Cabinets .....	B19	F17
DKDB	Desk Drawer Base Cabinets...	B47	F35	HCBD_ROS	Universal Access Base with Roll Out Shelves Cabinets.....	B22	F20
DKFD	Desk File Drawer Base Cabinet.....	B47	F35	HCBD_ROW	Universal Access Base with Roll Out Work Surface Cabinets .....	-	F17
DS(T)	Drawer Skirts .....	B15	F13	HCBD_RB	Universal Access Base with Removable Bottom .....	-	F23
DSB_BD	Sink Base Deep Butt Door Cabinets.....	B11	-	HCBD_WRL	Universal Access Base Lattice Wine Rack .....	B24	-
DKB_BDFH	Desk Base Full Height Butt Door.....	B46	-	HCBB	Universal Access Base Blind Cabinets .....	B20	F18
EP	Panels.....	D1	-	HCBB_FH	Universal Access Base Blind Full Height Door Cabinets .....	B20	F18
EPB	Base Panels .....	-	H4	HCBBBS	Universal Access Base Bookshelf.....	B18	F15
EPT	End Panel Tall .....	-	H4	HCBDDE	Universal Access Base Decorative End Panel.....	D6	H7
EPW	End Panel Wide .....	-	H4	HCBER	Universal Access Base Easy Reach.....	B21	F19
				HCBL	Universal Access Base Lazy Susan Cabinets .....	B21	F19

# INDEX

SKU	ITEM	FRAMED PAGE #	EURO PAGE#	SKU	ITEM	FRAMED PAGE #	EURO PAGE#
HCBMC	Universal Access Base Microwave Cabinets.....	B24	-	HCSB_FHRB	Universal Access Full Height Sink Base with Removable Bottom .....	-	F23
HCBOC	Universal Access Base Oven Cabinet .....	-	F19	HCSB_RB	Universal Access Sink Base with Removable Bottom.....	-	F23
HCBOD	Universal Access Base Oven Cabinet with Drawer .....	-	F19	HCSBC	Universal Access Double Door Sink Base Combination Cabinets .....	B29	-
HCBOV	Universal Access Base Oven Cabinet.....	B24	-	HCSBC_BD	Universal Access Butt Door Sink Base Combination Cabinets .....	B29	-
HCBWR	Universal Access Base Cabinet.....	-	F16	HCSDBC	Universal Access Sink Base with Drawers Combination Cabinets .....	B27	-
HCBWSC24	Universal Access Base Wine Rack .....	-	F16	HCSDBC	Universal Access Double Sink with Three Center Drawers Combination Cabinets .....	B29	-
HCCSB	Universal Access Combo Sink Base .....	-	F22	HCSDBC_BD	Universal Access Butt Door Sink with Two Drawer Base Combination Cabinets .....	B27	-
HCDB	Universal Access Drawer Base Cabinets .....	B18	F16	HCSDBC_BD	Universal Access Butt Door Sink with Six Drawers Combination Cabinets .....	B28	-
HCDBPP	Universal Access Pots and Pans Drawer.....	-	F16	HCSDBC_FH	Universal Access Full Height Double Door Sink with Three Drawer Base Combination Cabinets .....	B27	F22
HCDSB	Universal Access Deep Sink Base .....	B26	-	HCS4DBC	Universal Access Combo Double Door Sink with Four Drawer Base .....	B28	-
HCLC	Universal Access Linen Cabinets .....	C10	G8	HCS4DBC	Universal Access Double Sink with Four Center Drawers Base Combination Cabinets .....	B29	-
HCLC3DB	Universal Access Linen Cabinets with Drawers.....	-	G8	HCS4DBC_BD	Universal Access Butt Door Sink with Eight Drawers Base Combination Cabinets .....	B28	-
HCLC_BD	Universal Access Butt Door Linen Cabinets .....	C10, C11	-	HCS4DBC_FH	Full Height Universal Access Double Door Sink with Four Drawer Base Combination Cabinets .....	B28	F22
HCOVD	Universal Access Oven Cabinets for Double Oven.....	C12	-	HCSF_BDT	Universal Access Butt Door Trimmable Sink Front.....	B30	-
HCOVD_RS	Universal Access Double Oven Reduced Stiles Cabinets.....	C12	-	HCSF_T	Universal Access Trimmable Sink Front.....	B30	-
HCOVS_RS	Universal Access Single Oven Reduced Stiles Cabinets.....	C12	-	HCRF	Range Front.....	D12	-
HCOVS	Universal Access Oven Cabinets for Single Oven.....	C12	-	HCTK	Universal Access Toe Kick.....	D9	-
HCLF	Universal Access Linen Fronts..	C15	-	HCTKV	Universal Access Toe Kick Veneer .....	D9	-
HCLF_BD	Universal Access Linen Fronts with Butt Doors.....	C15	-	HVB_FH	Hanging Vanity Base with Full Height Doors .....	-	F30
HCP	Universal Access Pantry Cabinets .....	C8	-	HVBS	Hanging Vanity Book Shelf .....	-	F30
HCPF	Universal Access Pantry Fronts...C14	-	-	HVDB	Hanging Vanity Two Drawer Base .....	-	F30
HCPF_BD	Universal Access Pantry Fronts with Butt Doors .....	C14	-	HVSB_FH	Hanging Vanity Sink Base Full Height Doors .....	-	F31
HCP_BD	Universal Access Pantry Butt Door Cabinets .....	C8, C9	-	HVSDB	Hanging Vanity Sink Drawer Base .....	-	F31
HCRF	Universal Access Range Front ...	D12	-				
HCSB	Universal Access Sink Base Cabinets .....	B25	F21				
HCSB_BD	Universal Access Butt Door Sink Base Cabinets.....	B26	-				
HCSB_BDFH	Universal Access Sin Base Full Height Butt Door Cabinets.....	B26	-				
HCSB_FH	Universal Access Sink Base Full Height Door Cabinets .....	B25, B26	F21				

# INDEX

SKU	ITEM	FRAMED PAGE #	EURO PAGE#	SKU	ITEM	FRAMED PAGE #	EURO PAGE#
IBP	Inside Back Panel .....	-	H6	RCM	Royal Crown Molding .....	D11	H11
ICM	Inside Molding.....	D10	H9	ROS	Roll Out Shelf Kit.....	D8	H12
				RF	Range Front.....	D12	-
LOCM	Large Outside Molding .....	D10	H9	SB	Sink Base Cabinets .....	B10	F9
LC	Linen Cabinets .....	C4	G6, G7	SB_BD	Sink Base Butt Door Cabinets .....	B11	-
LC_BD	Linen Butt Door Cabinets.....	C4, C5	-	SB_BDFH	Sink Base Full Height Butt Door Cabinets.....	B11	-
LF	Linen Fronts.....	C15	-	SB_FH	Sink Base Full Height Door Cabinets.....	B10, B11	F9
LF_BD	Butt Door Linen Fronts .....	C15	-	SB_FHRB	Sink Base Full Height Door Cabinets with Removable Bottom .....	-	F11
LRS	Shaker Light Rail.....	D12	-	SB_RB	Sink Base with Removable Bottom .....	-	F11
LRT	Traditional Light Rail.....	D12	-	SBC_BD	Sink Base Butt Door Combination Cabinets .....	B12	-
MCR	Medicine Cabinet .....	A16	-	SBD	Sink Base Diagonal Cabinets .....	B12	-
MWC	Wall Microwave Cabinets .....	A5	E3	SCM	Scribe Molding .....	D10	H9
MWC_BD	Wall Microwave Butt Door Cabinets.....	A5	-	SF_BDT	Butt Door Trimmable Sink Fronts .....	B14	-
MWS	Microwave Shelves.....	D8	-	SF_T	Trimmable Sink Fronts .....	B14	-
OCM	Outside Molding .....	D10		SHA	Adjustable Shelves Interior Color.....	-	H13
OFB	Overlay Front Base .....	-	H2	SHAKERM	Shaker Crown Molding .....	D11	H10
OFR	Overlay Front Range .....	-	H2	SHBA	Adjustable Shelves Exterior Color.....	-	H13
OFT	Overlay Front Tall .....	-	H2	SHOEM	Shoe Molding.....	D10	H10
OFW	Overlay Front Wall .....	-	H2	SK	End Skin.....	D7	-
OVD	Oven Cabinets for..... Double Oven	C6	G9	SKT	Skirts.....	-	H8
OVD_RS	Oven Cabinets for Double Oven Reduced Stiles .....	C6	-	SL	Shaker Leg.....	D9	H11
OVS	Oven Cabinets for..... Single Oven	C6	G9	SP	Stain Pens.....	D14	H14
OVS_RS	Oven Cabinets for Single Oven Reduced Stiles .....	C6	-	STVAL	Valance .....	D7	H8
P	Pantry Cabinets .....	C1	G1, G2	TBS	Tall Bookshelf .....	C3	G5
P_BD	Pantry Butt Door Cabinets.....	C1, C2	-	TDE	Tall Decorative End Panels.....	D5	H7
PB	Peninsula Base Cabinets .....	B8	-	TK	Toe Kick Overlay .....	D9	H9
PD(T)	Pencil Drawer Skirts.....	B15	F13	TKV	Veneer Toe Kick Overlay .....	D9	-
PF	Pantry Fronts.....	C14	-	TL	Turned Leg.....	D9	H11
PF_BD	Butt Door Pantry Fronts.....	C14	-	TRP	Tall Return Panels.....	D2	H1
PLYL	Long Grain Plywood Panel.....	D1	H5				
PLYS	Short Grain Plywood Panel.....	D1	H5				
PS	Putty Sticks .....	D13	H14				
QR	Quarter Round .....	D11	H10				

# INDEX

SKU	ITEM	FRAMED PAGE #	EURO PAGE#	SKU	ITEM	FRAMED PAGE #	EURO PAGE#
UBP	Universal Back Panel.....	-	H6	VS	Vanity Sink Base 16" Deep Cabinet.....	B33	-
UC	Utility Cabinets.....	-	G3, G4	VSB	Vanity Sink Base Cabinets.....	B33	F25
UFASHCSB	UFAS Universal Access Sink Base and Insert Cabinets.....	B32	-	VSB_BD	Vanity Butt Door Sink Base Cabinets.....	B34	-
UFASHCSB_FH	UFAS Universal Access Full Height and Insert Cabinets.....	B32	-	VSB_BDH	Tall Butt Door Vanity Sink Bases.....	B34	-
UFASIOHCSB	UFAS Universal Access Sink Base Insert Only.....	B32	F24	VSB_FH	Full Height Vanity Sink Base Cabinets.....	-	F25
UFASIOSB	UFAS Sink Base Insert Only.....	B14	F12	VSB_FHRB	Vanity Sink Base Removable Bottom Full Height Door.....	-	F32
UFASIOV	UFAS Vanity Sink Base Insert Only.....	B44	F32	VSB_H	Tall Vanity Sink Bases.....	B33	F25
UFASSB	UFAS Sink Base and Insert Cabinets.....	B13	-	VSB_HFH	Double Door Full Height Vanity Sink Base Cabinets.....	-	F25
UFASSB_FH	UFAS Sink Base Full Height and Insert Cabinets.....	B13	-	VSF_BDT	Butt Door Trimmable Sink Fronts.....	B43	-
UFASV	UFAS Vanity Sink Base and Insert Cabinets.....	B44	-	VSF_T	Trimmable Sink Fronts.....	B43	-
UFASV_FH	UFAS Vanity Full Height Sink Base and Insert.....	B44	-	W	Wall Cabinets.....	A1, A2	E1, E2
UREP	Universal Refrigerator End Panel.....	D2	H5	W_BD	Wall Butt Door Cabinets.....	A3	-
				W_BDRC	Wall Butt Door with Recessed Bottom Cabinets.....	A12	-
VACSB	Accessible Vanity Sink Base ...	B44	F32	W_LD	Wall Long Door Cabinets.....	-	E10, E11
VB	Vanity Base Cabinets.....	B36	F27	W_RC	Wall Recessed Bottom Cabinets.....	A10, A11	E7, E8
VB_BD	Vanity Base Butt Door Cabinets.....	B36	-	W_X24	Wall Refrigerator Cabinets.....	A4	E3
VB_BDFH	Vanity Base Full Height Butt Door Cabinets.....	B35	-	W_BDX24	Wall Butt Door Refrigerator Cabinets.....	A4	-
VB_BDH	Tall Vanity Base Butt Door Cabinets.....	B36	-	WBS	Wall Book Shelf Cabinets.....	A6	E4
VB_BDFH	Tall Vanity Base Full Height Butt Door Cabinets.....	B35	-	WBS_RC	Wall Bookcase Recessed Bottom Cabinets.....	A13, A14	-
VB_FH	Vanity Base Full Height Door Cabinets.....	B35	F26	WCP	Wall Cabinet Corner Plug.....	D8	-
VB_H	Tall Vanity Base Cabinets.....	B36	F27	WDE	Wall Decorative End Panels...	D6	H7
VB_HFH	Tall Vanity Base Full Height Door Cabinets.....	B35	F26	WER	Wall Easy Reach Cabinets.....	A8	E5
VDB	Vanity Drawer Base Cabinets.....	B37	F28	WER_LD	Wall Easy Reach with Long Door Cabinets.....	-	E12
VDB_H	34-1/2" High Vanity Drawer Base Cabinets.....	B37	F28	WER_RC	Wall Easy Reach with Recessed Bottoms Cabinets..	-	E9
VDE	Vanity Base Decorative End Panels.....	D6	H7	WL	Wall Linen Cabinets.....	-	E12
				WL_BD	Wall Linen Butt Door Cabinets.....	A16	-
				WRL	Wall Lattice Wine Racks.....	A7	-
				WRP	Wall Return Panels.....	D3	H3
				WSC	Wine Storage Cabinet.....	-	E4







[www.leedo.com](http://www.leedo.com) 866.GO LEEDO



©2024 LEEDO CABINETS

Specifications within this document supersede any previous catalogs. Leedo reserves the right to make specification changes for continued product improvement. All designs and specifications are subject to change without notice as needed due to changes in material availability or manufacturing process changes.

All photography and illustrations in this catalog should be used for inspiration purposes only. The appearance of actual colors or wood grains may vary due to the printed publication process. Customers are urged to view an actual sample for a realistic representation of wood grains and color tones.

Select styles and/or box construction types are KCMA and CARB2 compliant.